



US00D854873S

(12) **United States Design Patent** (10) **Patent No.:** **US D854,873 S**  
**Hu** (45) **Date of Patent:** **\*\* Jul. 30, 2019**

(54) **MICROWAVE OVEN**  
(71) Applicant: **GUANGDONG MIDEA KITCHEN APPLIANCES MANUFACTURING CO., LTD.**, Foshan, Guangdong (CN)  
(72) Inventor: **Yibo Hu**, Guangdong (CN)  
(73) Assignee: **GUANGDONG MIDEA KITCHEN APPLIANCES MANUFACTURING CO., LTD.**, Foshan, Guangdong (CN)

(\*\*) Term: **15 Years**

(21) Appl. No.: **29/573,471**

(22) Filed: **Aug. 5, 2016**

(30) **Foreign Application Priority Data**

Apr. 27, 2016 (CN) ..... 2016 3 0147314

(51) **LOC (11) Cl.** ..... **07-02**

(52) **U.S. Cl.**  
USPC ..... **D7/351**

(58) **Field of Classification Search**  
USPC ..... D7/323, 339, 340, 341, 347, 348, 349, D7/351, 350.1, 350.2, 350.3, 350.4, 402, D7/403, 405  
CPC .. A21B 2/00; A21B 3/02; F24C 15/02; H05B 1/0263; H05B 2206/044; H05B 6/763; H05B 6/76; H05B 6/802; H05B 6/808; H05B 6/64  
See application file for complete search history.

(56) **References Cited**

**U.S. PATENT DOCUMENTS**

D321,454 S \* 11/1991 Matoba ..... D7/351  
D437,179 S \* 2/2001 Ozaki ..... D7/351  
D439,468 S \* 3/2001 Kim ..... D7/351  
D577,246 S \* 9/2008 Kikumoto ..... D7/351

D579,270 S \* 10/2008 Green ..... D7/405  
D615,803 S \* 5/2010 Sindeaux ..... D7/351  
D665,220 S \* 8/2012 Ohmae ..... D7/351  
D673,418 S \* 1/2013 Lee ..... D7/351  
D693,167 S \* 11/2013 Kim ..... D7/351  
D705,008 S \* 5/2014 Shin ..... D7/405  
D707,074 S \* 6/2014 Shin ..... D7/351  
D773,234 S \* 12/2016 Suh ..... D7/351  
D773,235 S \* 12/2016 Chung ..... D7/351  
D829,485 S \* 10/2018 Morenstein ..... D7/350.1

**FOREIGN PATENT DOCUMENTS**

CN 302140879 \* 10/2012  
CN 302434312 \* 5/2013  
RU 00096272 \* 12/2015

**OTHER PUBLICATIONS**

Amazon. <URL: [https://www.amazon.com/dp/B01D5UC036/ref=psdc\\_3741631\\_t2\\_B00NXRHIO8](https://www.amazon.com/dp/B01D5UC036/ref=psdc_3741631_t2_B00NXRHIO8)> Mar. 19, 2016. Samsung Countertop Microwave Oven.\*

(Continued)

*Primary Examiner* — Susan Bennett Hattan  
*Assistant Examiner* — Lauren D McVey  
(74) *Attorney, Agent, or Firm* — Houtteman Law LLC

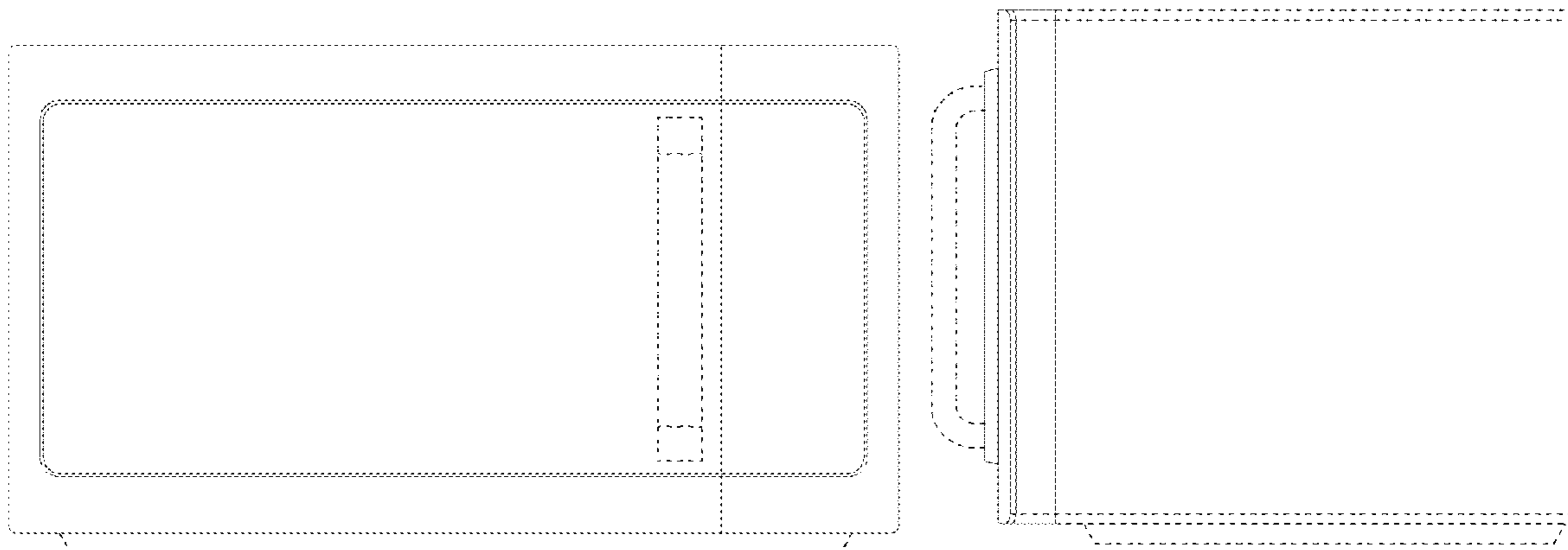
(57) **CLAIM**

The ornamental design for a microwave oven, as shown and described.

**DESCRIPTION**

FIG. 1 is a front elevation view of a microwave oven showing my new design;  
FIG. 2 is a left side elevation view thereof;  
FIG. 3 is a right side elevation view thereof;  
FIG. 4 is a top plan view thereof; and,  
FIG. 5 is a front perspective view thereof.  
Broken lines form no part of the claimed design.

**1 Claim, 5 Drawing Sheets**



(56)

**References Cited**

OTHER PUBLICATIONS

Amazon. <URL: [Amazon. <URL: \[\\\* cited by examiner\]\(https://www.amazon.com/dp/B075319V1W/ref=sspa\_dk\_detail\_4?psc=1&pd\_rd\_i=B075319V1W&pd\_rd\_wg=tW4Pb&pd\_rd\_r=FKVJ8PAMBE0ZPE4R%E2%80%A6.> Aug. 23, 2017. Big Chill Retro Microwave Oven.\*</p></div><div data-bbox=\)](https://www.amazon.com/Samsung-MG11H2020CT-Countertop-Microwave-Interior/dp/B00NXXRHIO8/ref=sr_1_fkmr0_3?ie=UTF8&qid=1524596198&%E2%80%A6.> Sep. 26, 2014. Samsung Countertop Microwave Oven.*</p></div><div data-bbox=)

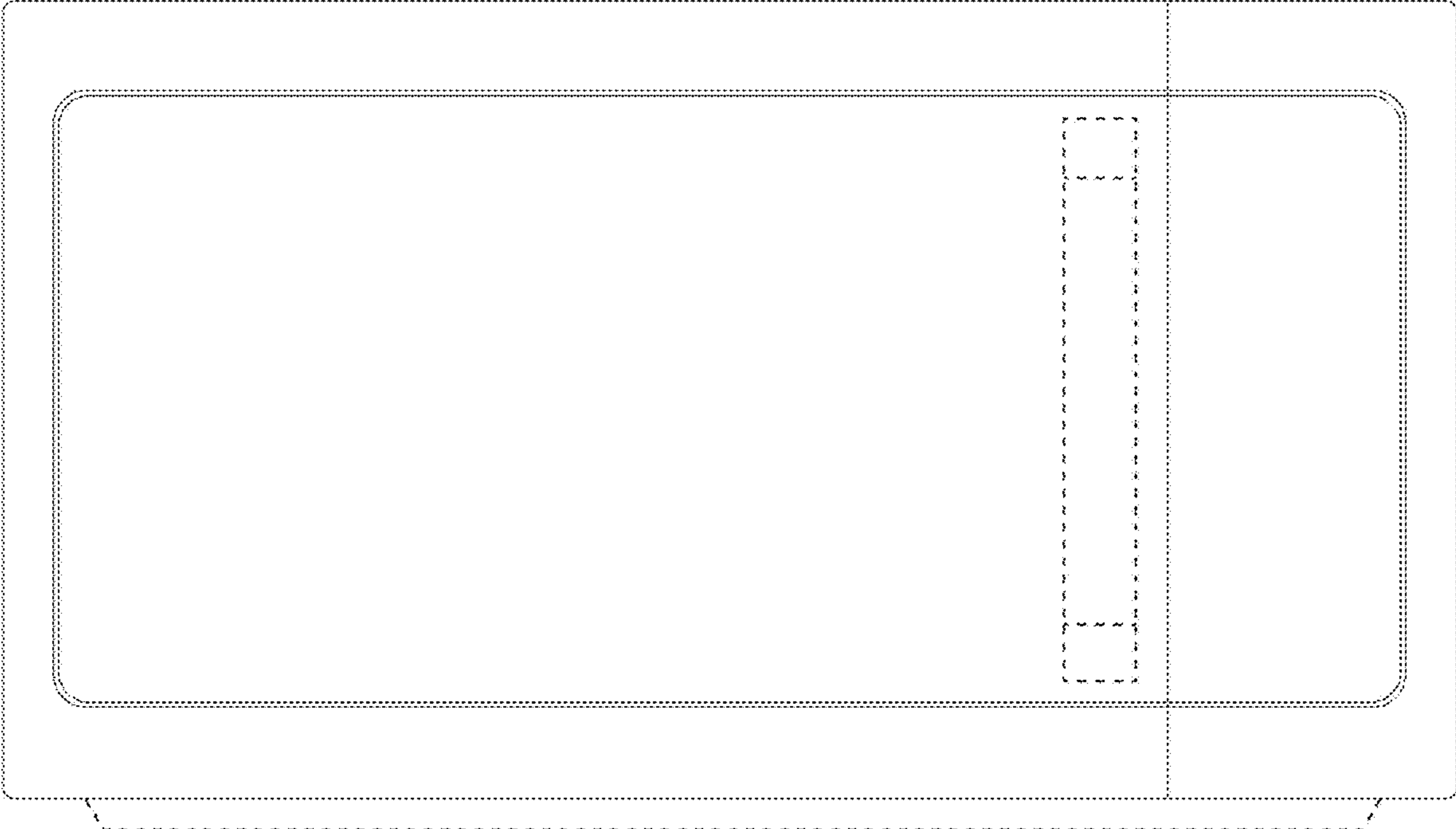


FIG. 1

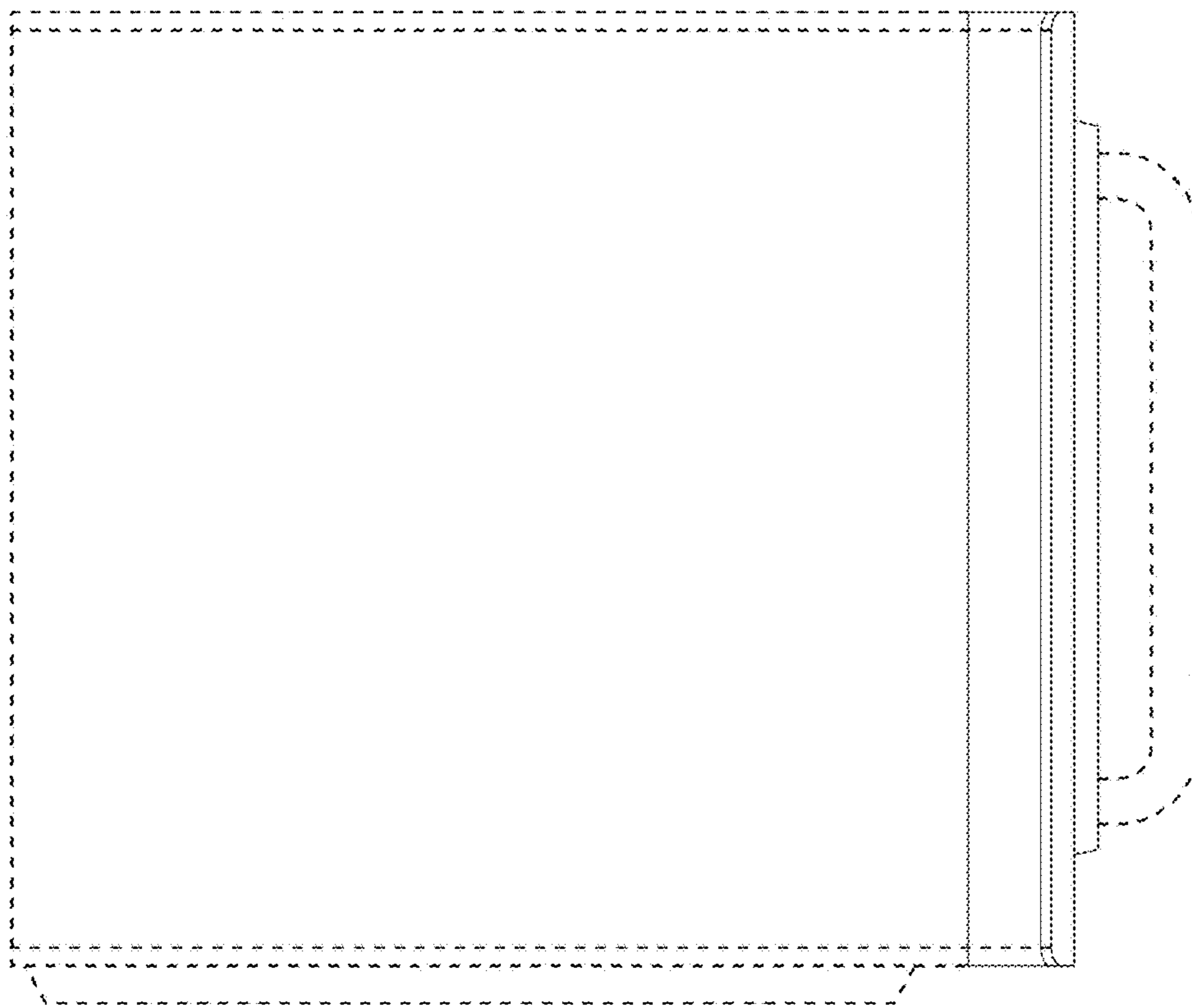


FIG. 2

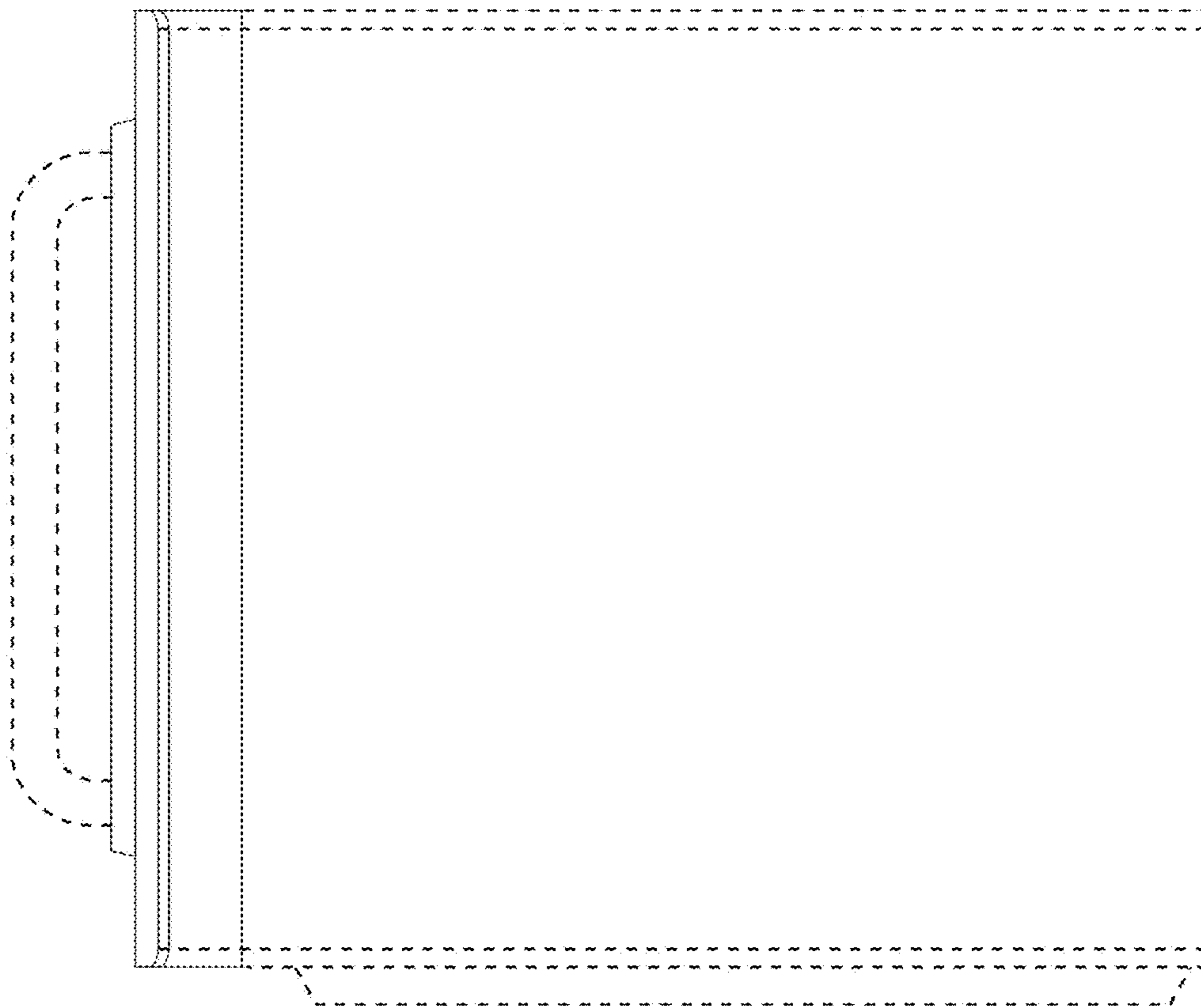


FIG. 3



FIG. 4

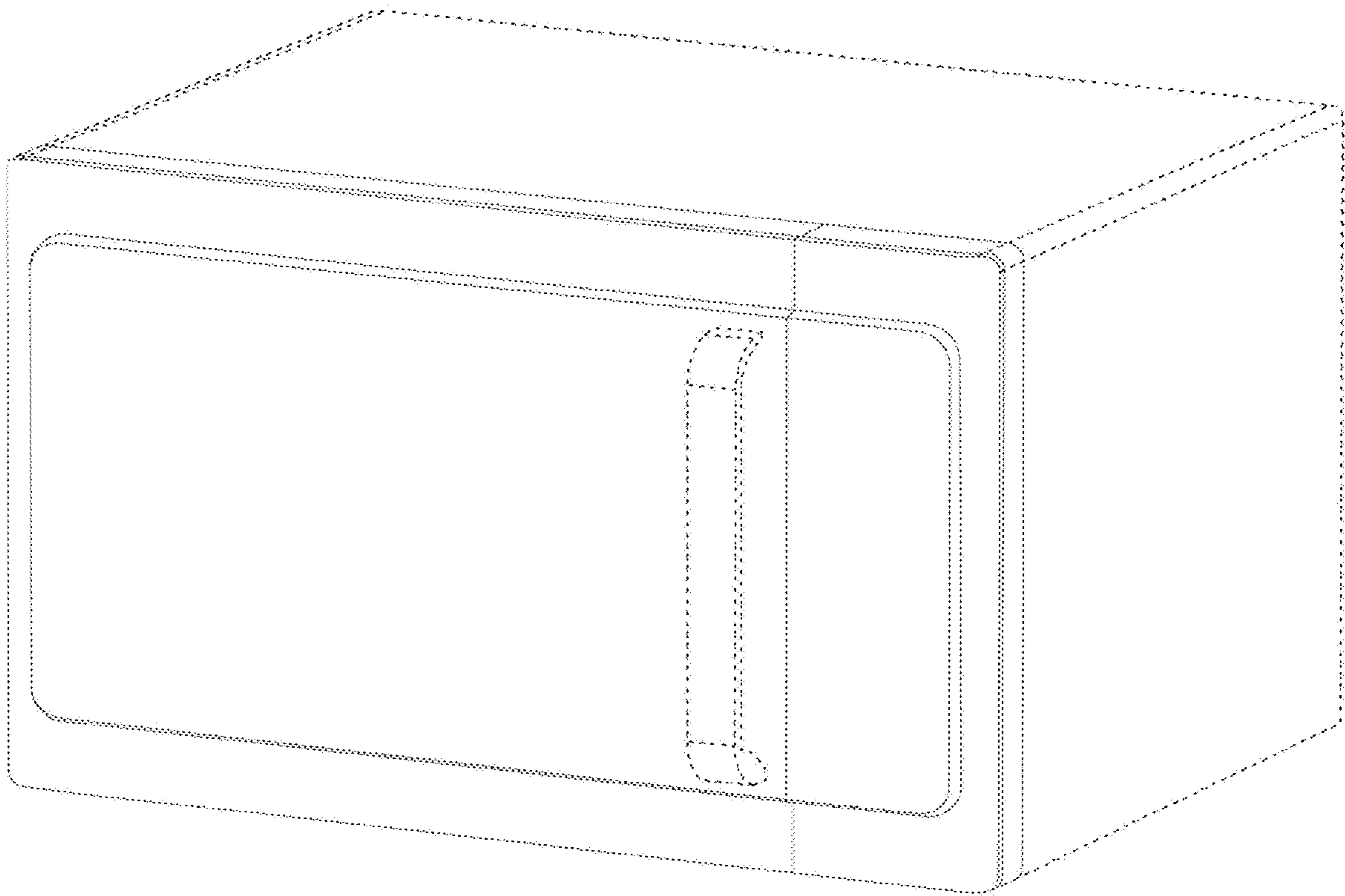


FIG. 5