



US00D854871S

(12) **United States Design Patent**
Williams

(10) **Patent No.:** **US D854,871 S**

(45) **Date of Patent:** **** Jul. 30, 2019**

(54) **GRILL**

(71) Applicant: **Big Horn Outdoors, LLC**, Pelham, AL (US)

(72) Inventor: **Roger E. Williams**, Hoover, AL (US)

(73) Assignee: **Big Horn Outdoors, LLC**, Pelham, AL (US)

(**) Term: **15 Years**

(21) Appl. No.: **29/596,484**

(22) Filed: **Mar. 8, 2017**

(51) **LOC (11) Cl.** **07-02**

(52) **U.S. Cl.**
USPC **D7/334**

(58) **Field of Classification Search**
USPC D7/332-337, 402-405
CPC A47J 37/0704; A47J 37/04; A47J 37/067;
A47J 37/0731; A47J 37/0763; A47J
2037/0777; A47J 37/0713; A47J 37/0786;
A47J 37/0682; A47J 37/0676; A23B
4/044; A23B 4/052; F24B 1/181
See application file for complete search history.

(56) **References Cited**

U.S. PATENT DOCUMENTS

D461,359 S * 8/2002 Coleman D7/334
D521,308 S * 5/2006 Tseng D7/334

D560,419 S * 1/2008 Lockhart D7/334
D680,798 S * 4/2013 Chung D7/334
D722,809 S * 2/2015 Chung D7/334
D794,997 S * 8/2017 Chung D7/334
D798,646 S * 10/2017 Lira-Nunez D7/334
D799,259 S * 10/2017 Lira-Nunez D7/334
2013/0112088 A1 * 5/2013 May A47J 37/0713
99/421 H

* cited by examiner

Primary Examiner — Brett Miller

(74) *Attorney, Agent, or Firm* — Bush Intellectual Property Law; Kenneth M. Bush

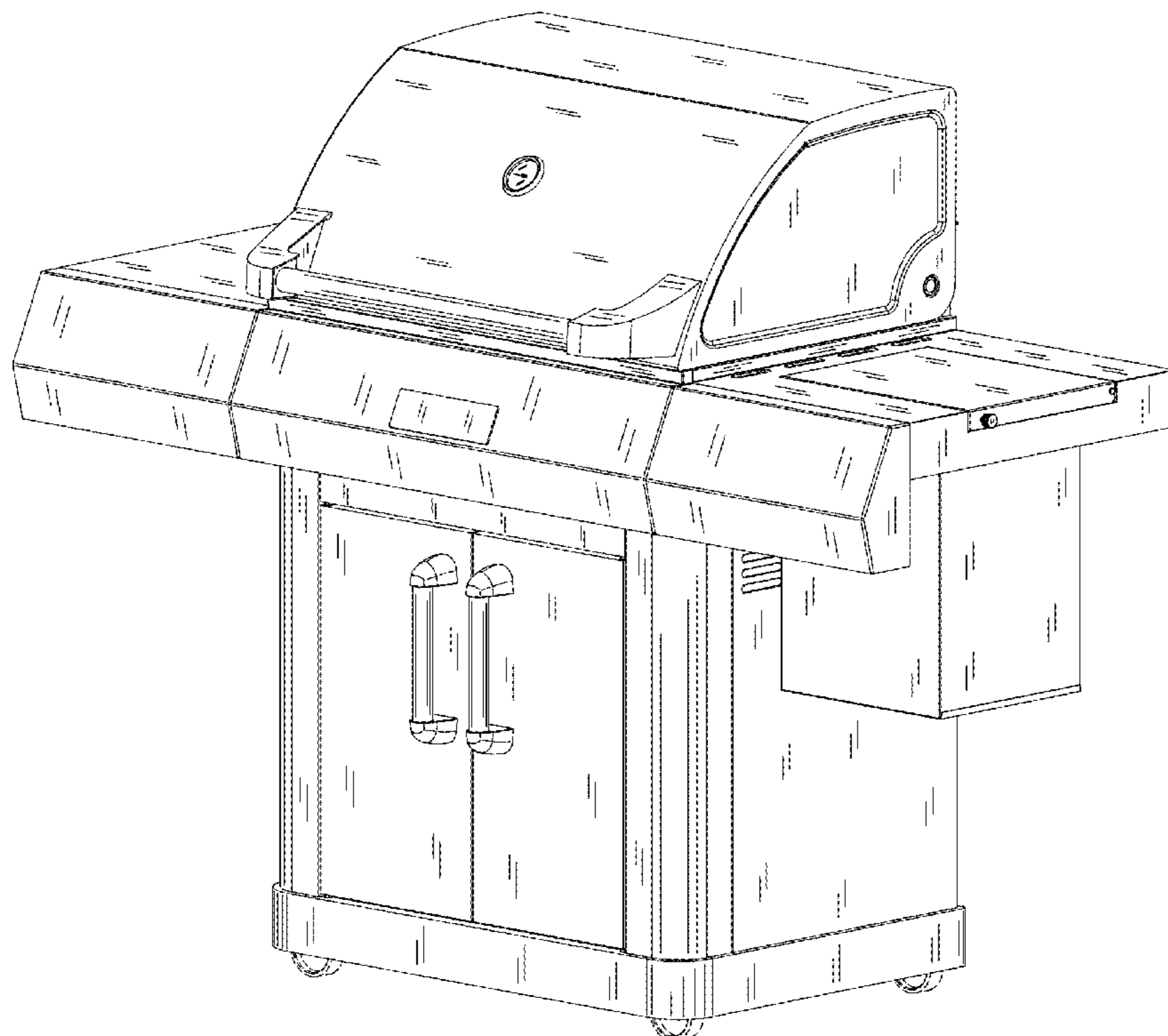
(57) **CLAIM**

I claim the ornamental design for a grill, as shown and described.

DESCRIPTION

FIG. 1 is a front perspective view of a grill showing my new design;
FIG. 2 is a front elevational view thereof;
FIG. 3 is a rear elevational view thereof;
FIG. 4 is a top plan view thereof;
FIG. 5 is a bottom plan view thereof;
FIG. 6 is a left side elevational view thereof; and,
FIG. 7 is a right side elevational view thereof.
The broken lines shown in FIGS. 1-3 and 5-7 represent portions of the grill that form no part of the claimed design.

1 Claim, 6 Drawing Sheets



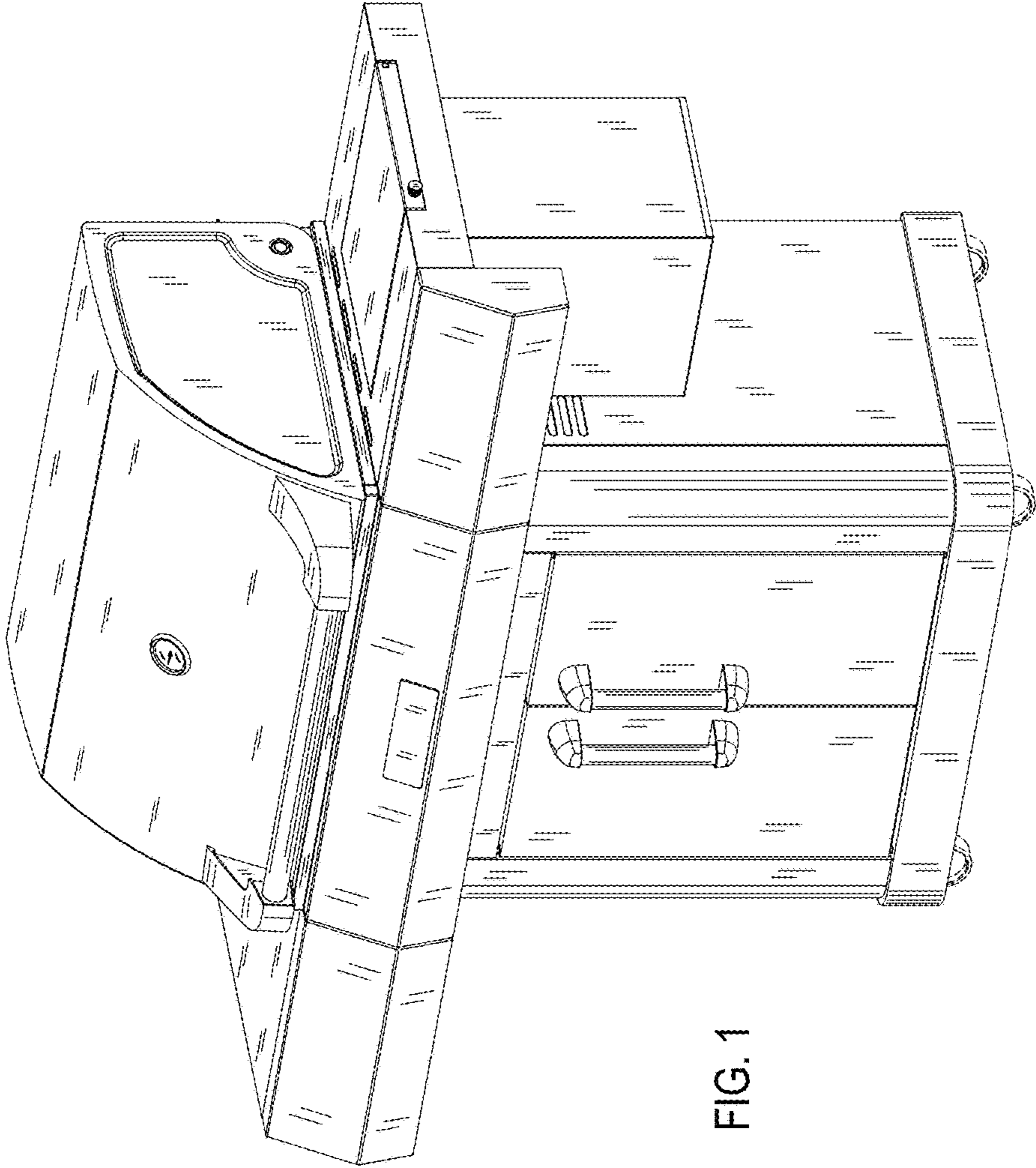
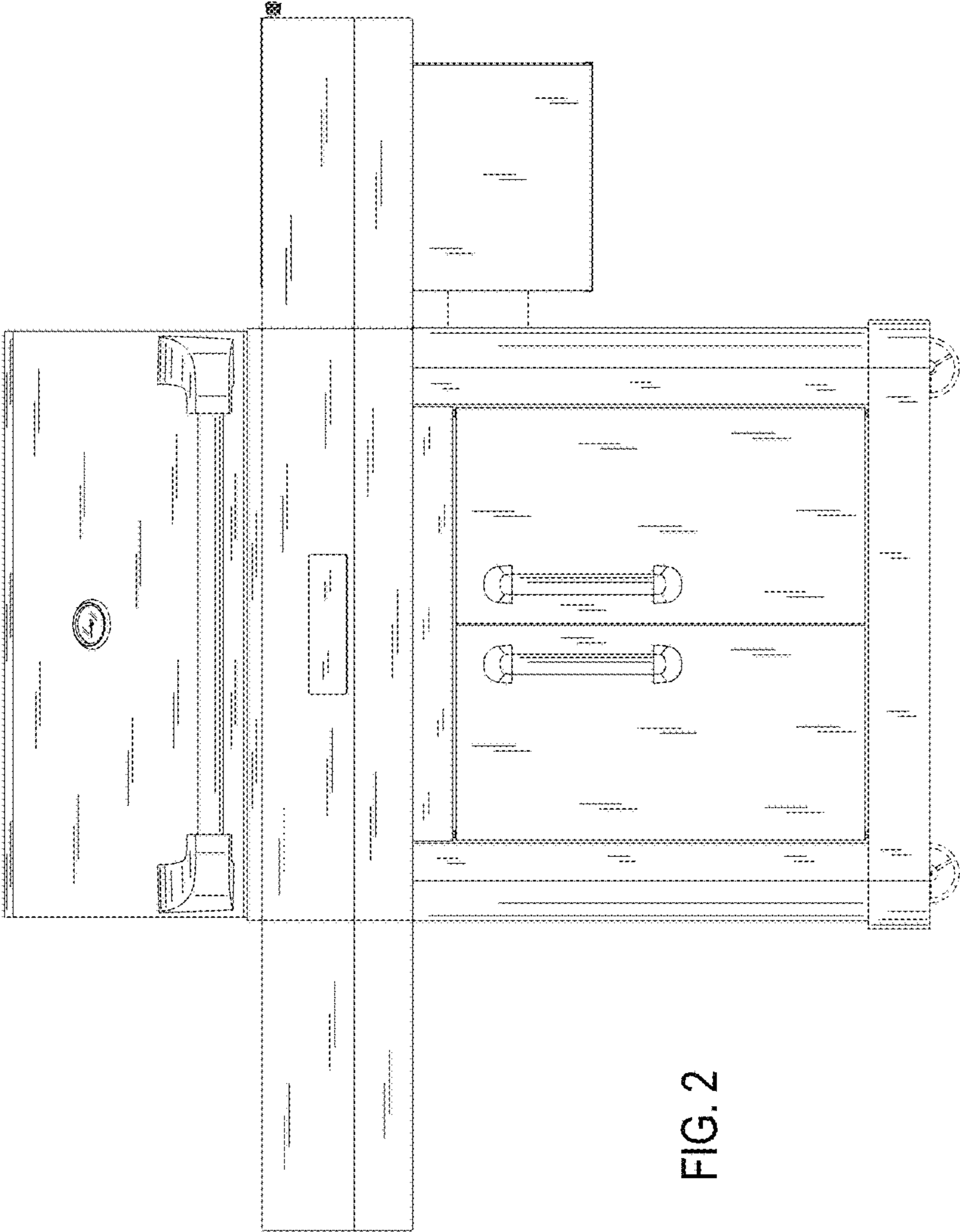


FIG. 1



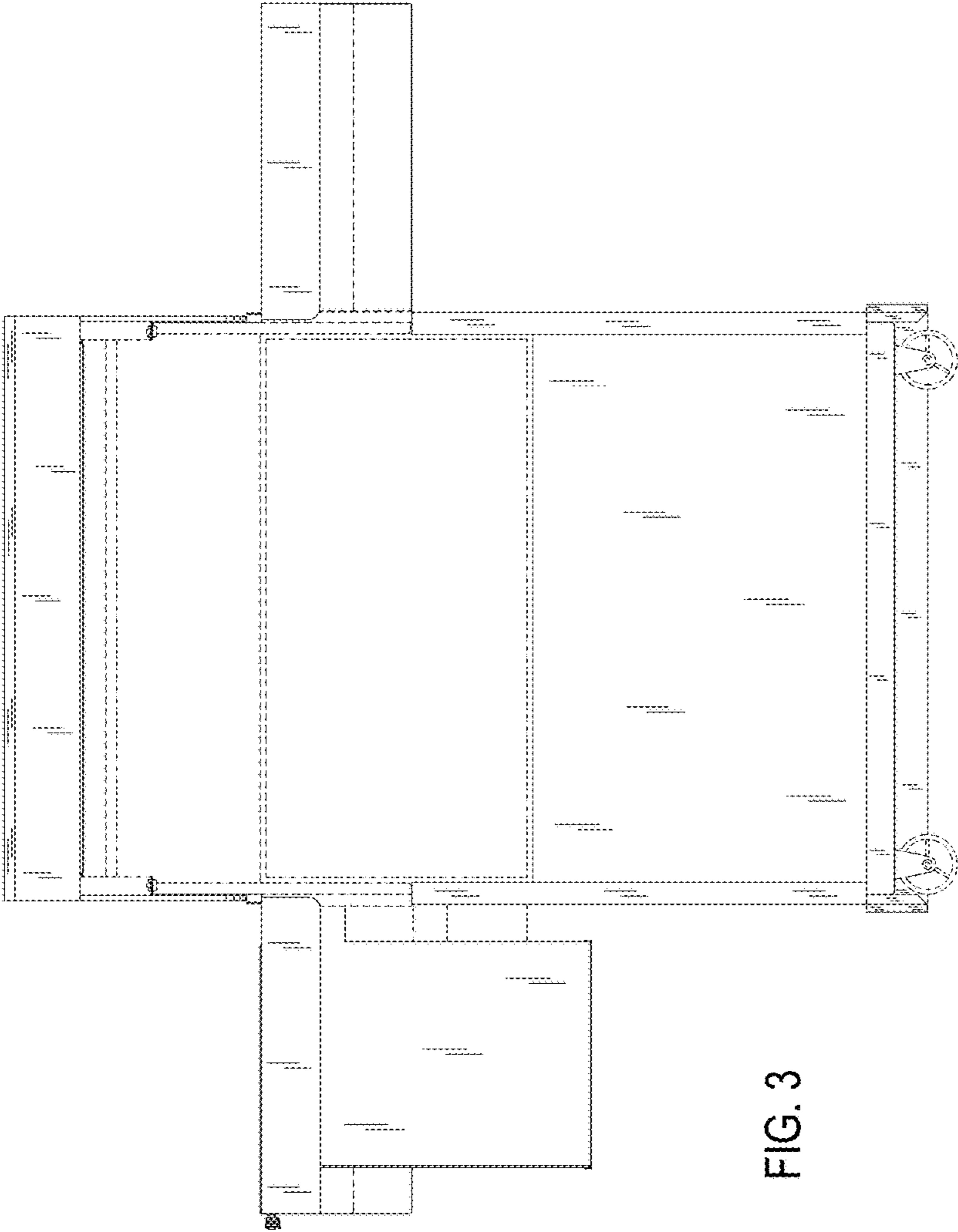


FIG. 3

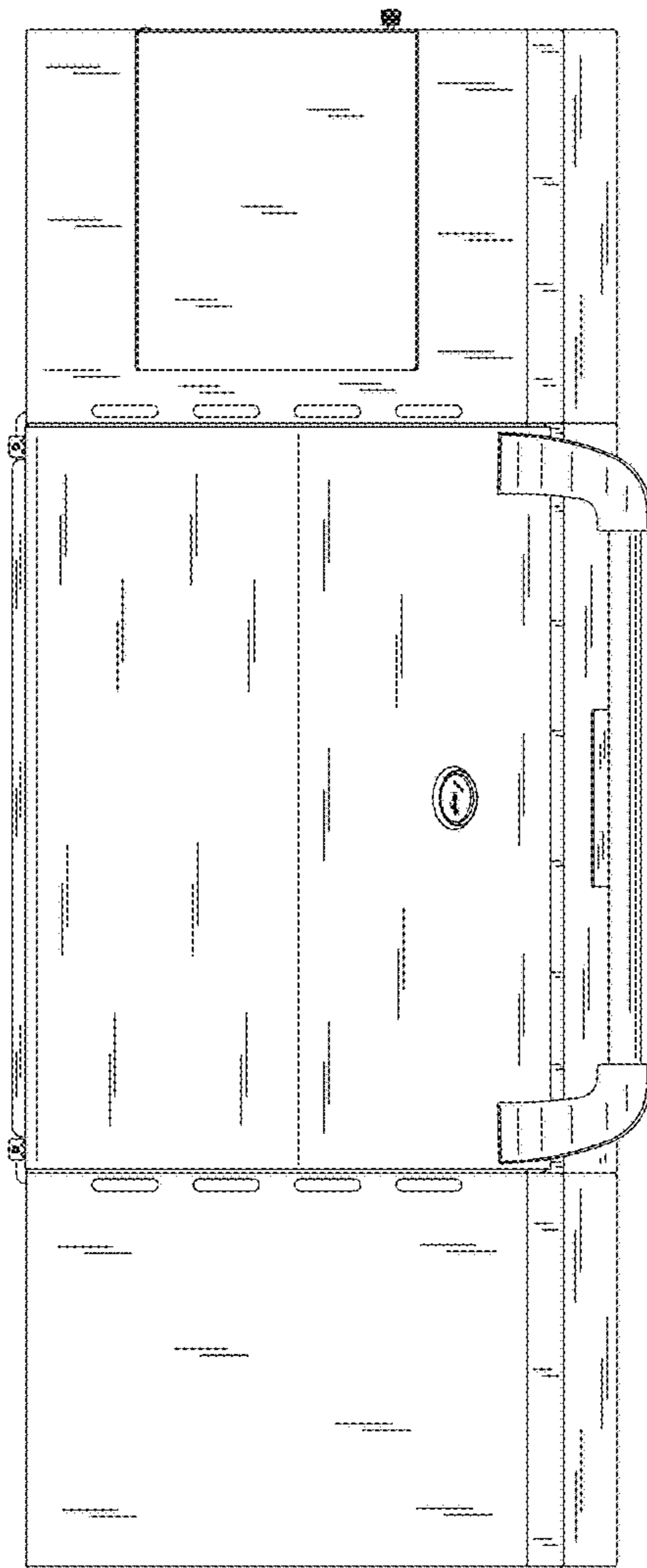


FIG. 4

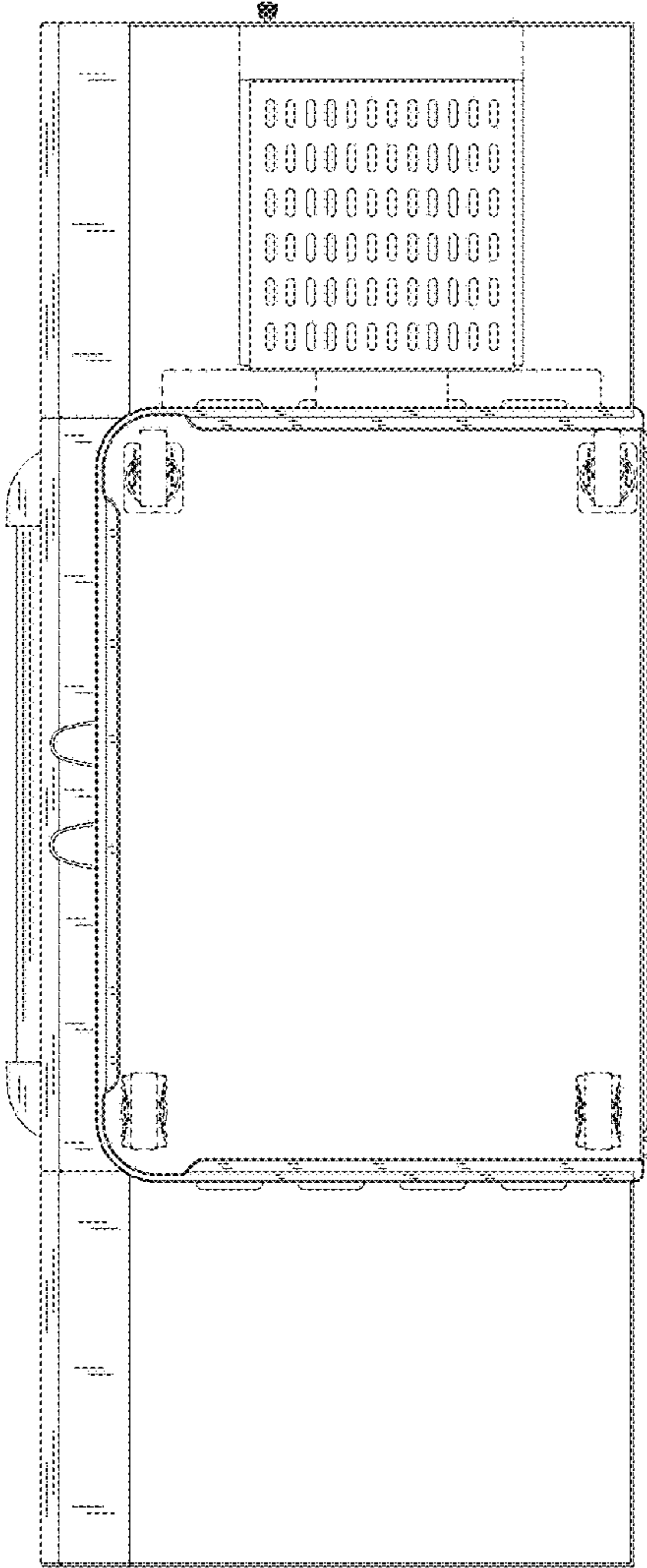


FIG. 5

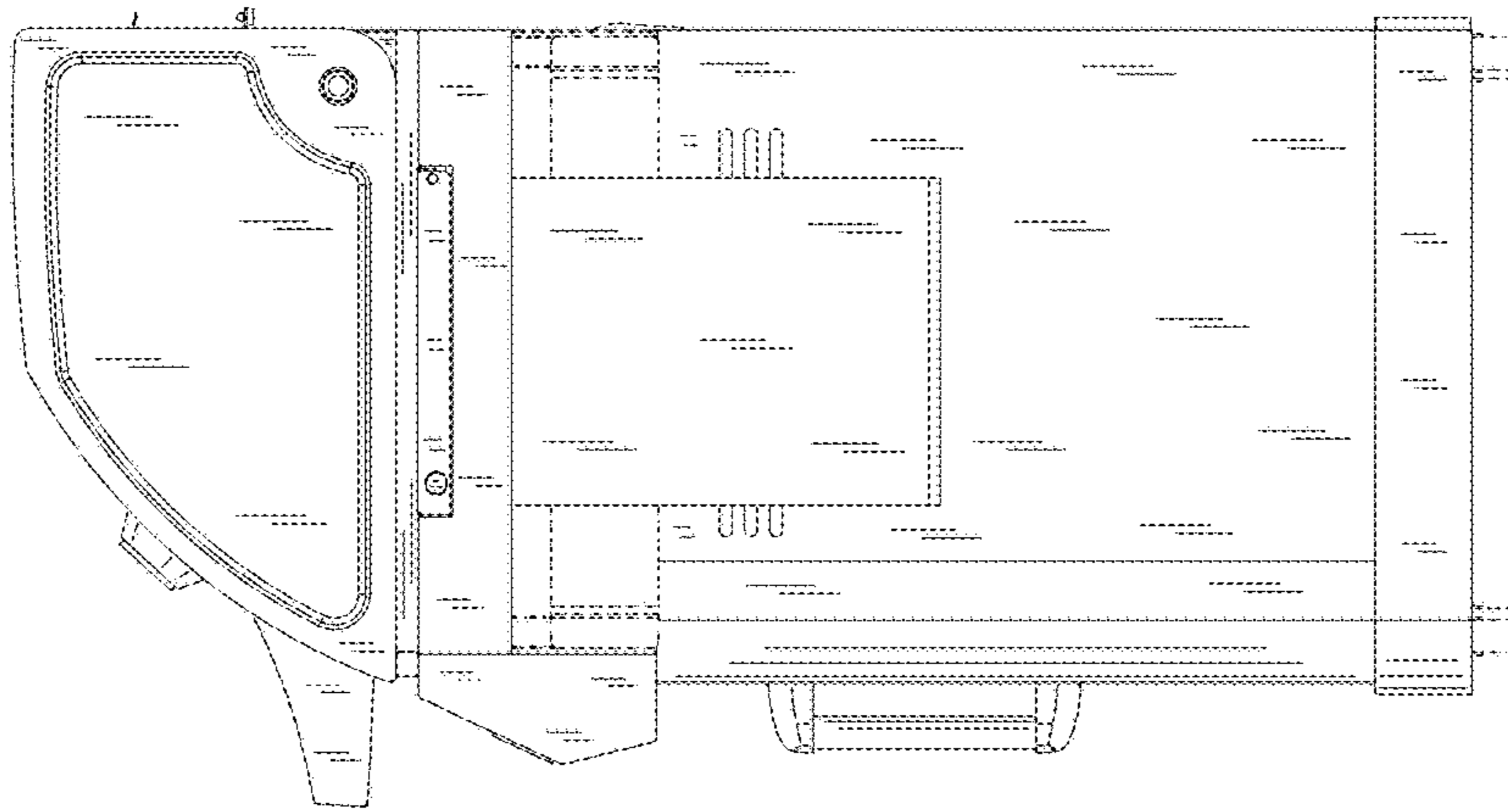


FIG. 7

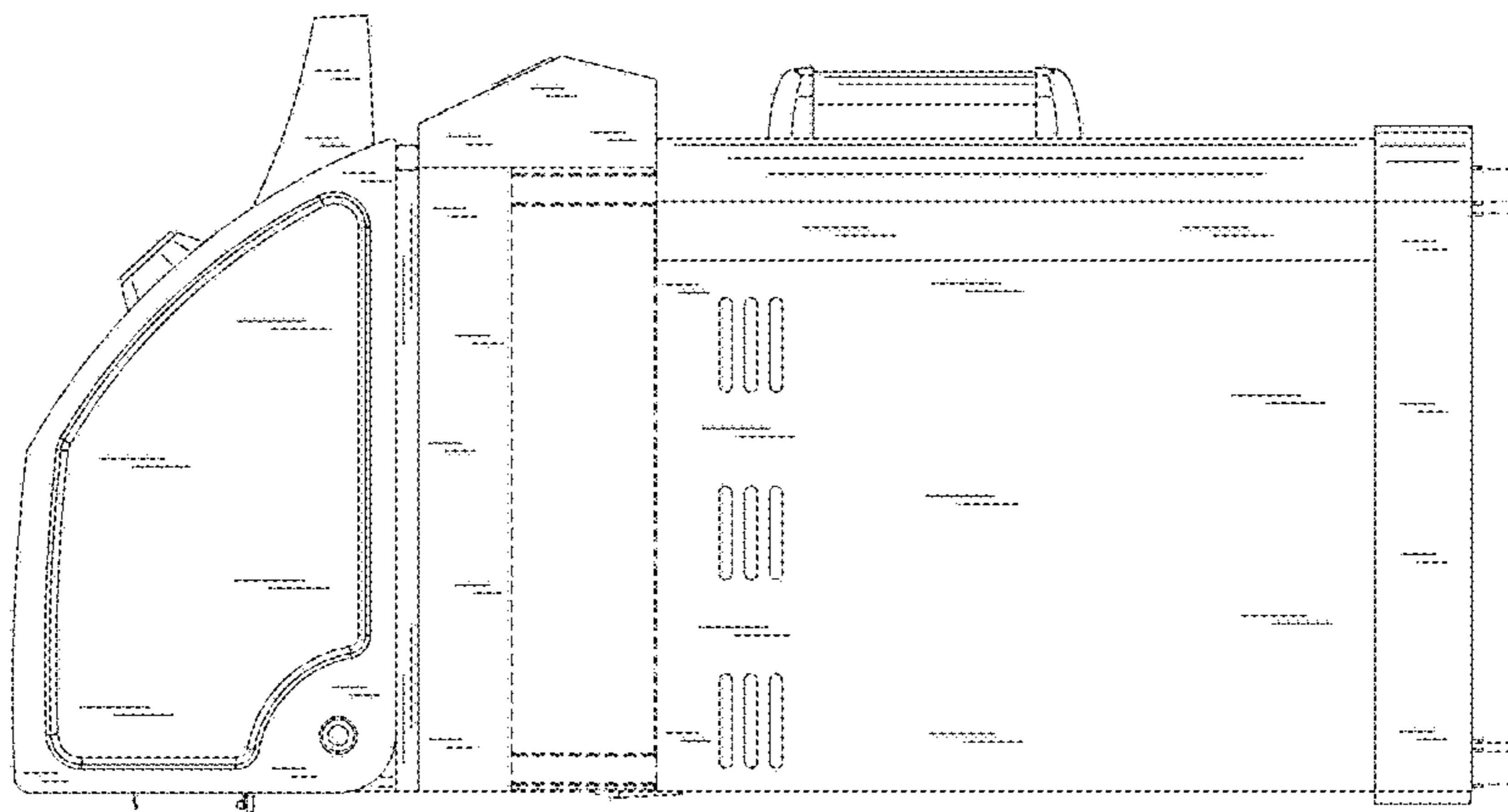


FIG. 6