



US00D854870S

(12) **United States Design Patent** (10) **Patent No.:** **US D854,870 S**
Graves et al. (45) **Date of Patent:** **** Jul. 30, 2019**

- (54) **BARREL COOKER** 2,001,615 A 1/1932 Karten
D97,580 S 11/1935 Ingersoll
(71) Applicant: **Barrel House Cooker, LLC,** 2,158,341 A 5/1939 Thau
Bakersfield, CA (US) 2,221,098 A 11/1940 Joseph
2,348,452 A 3/1942 Christopher
(72) Inventors: **Brian Graves,** Bakersfield, CA (US); 2,349,617 A 5/1944 Gorman
Crispin Mercado, Bakersfield, CA 2,408,935 A 10/1946 Kunst
(US) 2,488,014 A 11/1949 Higman
2,608,190 A 2/1950 Winning et al.
2,718,845 A 11/1955 Dudley
(73) Assignee: **Barrel House Cooker, LLC,** 2,842,043 A 7/1958 Renland
Bakersfield, CA (US) 3,062,200 A 11/1962 Miller
3,125,017 A 3/1964 Tauber et al.
3,209,672 A 10/1965 Baunach
(*) Notice: This patent is subject to a terminal dis- 3,228,319 A 1/1966 Miller
claimer. 3,254,800 A 6/1966 Baunach
3,266,478 A 8/1966 Booth
(**) Term: **15 Years** 3,276,440 A 10/1966 Sazegar
3,299,800 A 1/1967 Angelo
3,323,508 A 6/1967 Holman
(21) Appl. No.: **29/607,925** 3,333,526 A 8/1967 Kirkpatrick
3,398,733 A 8/1968 Bradley
(22) Filed: **Jun. 16, 2017** 3,457,853 A 7/1969 Morley
3,472,151 A 10/1969 Cox
3,529,536 A 9/1970 Milhem
3,529,557 A 9/1970 Treanor
3,556,078 A 1/1971 McGaughey
D222,310 S 10/1971 Zaunbrecher
3,665,913 A 5/1972 Cagle
3,776,127 A 12/1973 Muse
3,851,639 A 12/1974 Beddoe
3,868,942 A 3/1975 Lewis
3,915,144 A 10/1975 Tomita
3,942,425 A 3/1976 Canright
3,974,760 A 8/1976 Ellis
D244,249 S 5/1977 Boswell
4,094,295 A 6/1978 Boswell et al.
4,125,065 A 11/1978 Lee
4,150,610 A 4/1979 Ferrara
4,154,154 A 5/1979 Vivian
4,170,173 A 10/1979 Bradford
4,271,344 A 6/1981 Horiuchi et al.
4,281,633 A 8/1981 Wackerman
4,282,854 A 8/1981 Byars
4,282,856 A 8/1981 Byars
4,300,444 A 11/1981 Muse
4,382,432 A 5/1983 Lizdas
4,467,709 A 8/1984 Anstedt
4,490,597 A 12/1984 Mengel
4,495,860 A 1/1985 Hitch et al.
4,512,249 A 4/1985 Mentzel
4,532,911 A 8/1985 Orter
4,554,864 A 11/1985 Smith et al.

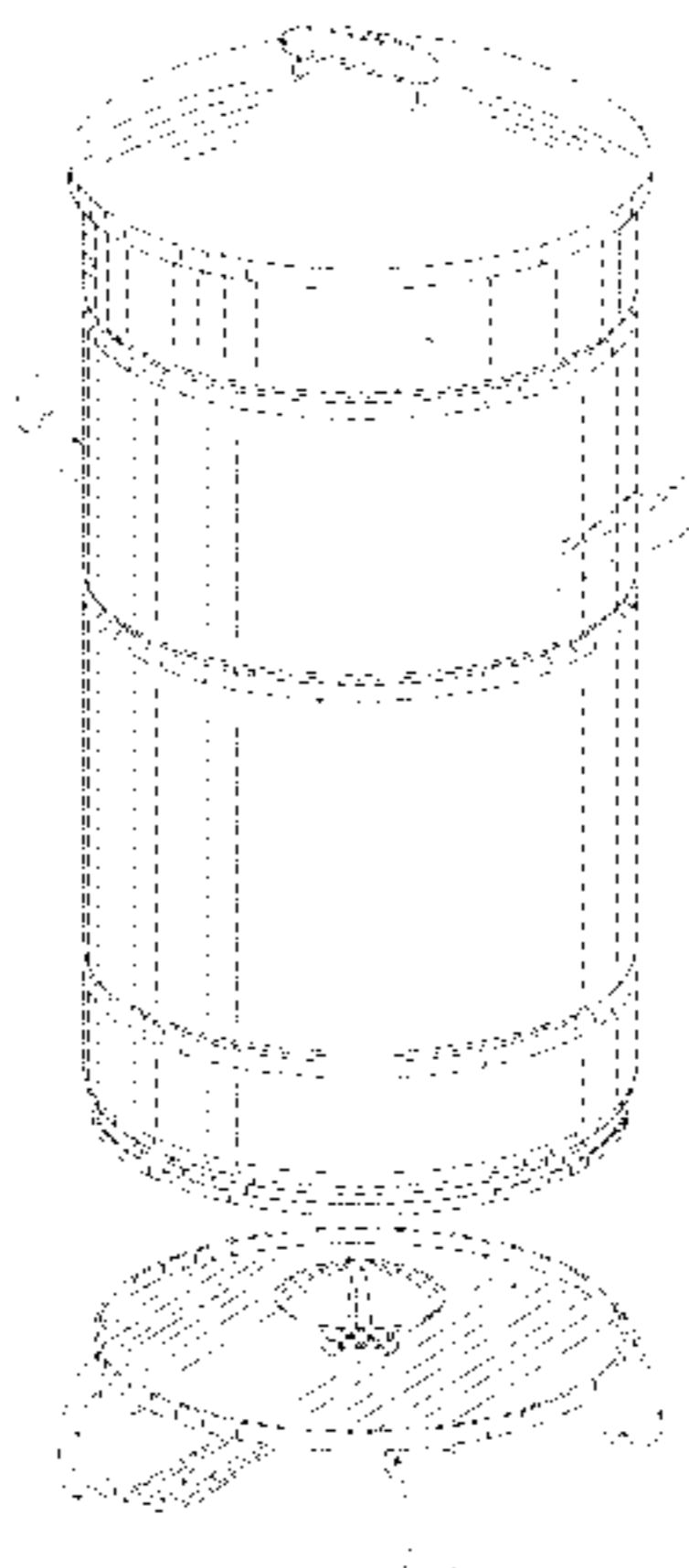
Related U.S. Application Data

- (63) Continuation-in-part of application No. 29/603,303,
filed on May 8, 2017.
(51) **LOC (11) Cl.** **07-02**
(52) **U.S. Cl.**
USPC **D7/332**
(58) **Field of Classification Search**
USPC D7/332-337; D23/343, 332, 403, 348
CPC A47J 37/0704; A47J 37/04; A47J 37/067;
A47J 37/0731; A47J 37/0763; A47J
2037/0777; A47J 37/0713; A47J 37/0786;
A47J 37/0682; A47J 37/0676; A23B
4/044; A23B 4/052
See application file for complete search history.

(56) **References Cited**

U.S. PATENT DOCUMENTS

- 170,506 A * 11/1875 Barr A47J 37/0786
126/98
1,336,766 A 4/1919 Marshall et al.
1,385,931 A 7/1921 Semonin
1,518,811 A 12/1924 Murray



US D854,870 S

4,574,689 A	3/1986	Robertson	D650,215 S	12/2011	Chung	
4,582,432 A	4/1986	Mehta	D653,074 S	1/2012	Difante	
4,604,986 A	8/1986	Barnes	8,201,550 B2	6/2012	Malumyan	
4,627,336 A	12/1986	Nam	8,316,836 B2	11/2012	Grasso et al.	
4,643,162 A	2/1987	Collins	8,464,702 B2	6/2013	Foster	
4,700,618 A	10/1987	Cox	8,511,295 B2	8/2013	Buerkle	
4,702,224 A	10/1987	Griffith	8,556,310 B1	10/2013	Nabors	
4,732,138 A	3/1988	Vos	8,739,380 B1 *	6/2014	Montgomery	A47J 37/0704
4,757,756 A	7/1988	Van Marr				126/25 A
4,788,906 A	12/1988	Starks	8,739,830 B2	6/2014	Montgomery	
4,823,684 A	4/1989	Traeger et al.	8,851,063 B1	10/2014	DeGraff et al.	
4,858,786 A	8/1989	Eagar	8,919,334 B2	12/2014	Glanville et al.	
4,862,792 A	9/1989	Lerma, Jr.	9,200,809 B2	12/2015	Knight	
4,913,126 A	4/1990	McCall	D755,557 S	5/2016	Stout	
4,924,844 A	5/1990	Bransburg	D760,531 S	7/2016	Scheer	
4,957,039 A *	9/1990	Reyes A47J 37/0704	D795,632 S *	8/2017	Klingbeil	D7/332
		126/25 R	2001/0000327 A1	4/2001	Zittel et al.	
4,962,697 A	10/1990	Farrar	2004/0089163 A1	5/2004	Elwendini	
5,012,061 A	4/1991	Lesser	2004/0168581 A1	9/2004	Eisinger et al.	
5,078,049 A	1/1992	Glanton	2004/0250690 A1	12/2004	Restis et al.	
5,086,752 A	2/1992	Hait	2005/0011370 A1	1/2005	Xu et al.	
5,094,223 A	3/1992	Gonzalez	2006/0016447 A1	1/2006	Meyer	
5,144,939 A	9/1992	Christopherson	2006/0075905 A1	4/2006	Shih	
5,191,831 A	3/1993	Walden	2006/0243141 A1	11/2006	Mayer et al.	
5,325,841 A	7/1994	Hooper, Sr.	2006/0254432 A1	11/2006	McLemore	
5,359,923 A	11/1994	Boswell	2006/0260599 A1	11/2006	Butt	
5,359,988 A	11/1994	Hait	2007/0199555 A1	8/2007	Gregory	
5,473,979 A	12/1995	Ruben	2008/0121117 A1 *	5/2008	Best	A47J 37/0718
5,481,964 A	1/1996	Kitten				99/339
5,515,774 A	5/1996	Swisher et al.	2008/0135039 A1	6/2008	Sharpe	
D370,380 S	6/1996	McGourthy	2008/0163765 A1	6/2008	O'Shea	
5,531,154 A	7/1996	Perez	2009/0020491 A1	1/2009	Foster	
5,555,796 A	9/1996	Kortschot et al.	2009/0199839 A1	8/2009	Husley	
D374,371 S	10/1996	McDonald	2009/0308373 A1	12/2009	Scott et al.	
5,638,743 A	6/1997	Lo	2010/0269713 A1 *	10/2010	Foster	A47J 37/0704
5,644,977 A	7/1997	Rodriguez				99/482
5,711,209 A	1/1998	Guines	2010/0300425 A1	12/2010	Rees	
5,715,743 A	2/1998	Goddard	2011/0061543 A1	3/2011	Ingrassia et al.	
5,752,497 A	5/1998	Combs et al.	2011/0275023 A1	11/2011	Knight	
5,768,977 A	6/1998	Parris et al.	2012/0156350 A1	6/2012	Gates et al.	
5,988,158 A	11/1999	Schmidt	2013/0014743 A1 *	1/2013	Glanville	A47J 37/0704
6,012,382 A	1/2000	McLemore				126/25 R
6,016,797 A	1/2000	Nowicke, Jr.	2013/0074705 A1	3/2013	Ciaciura	
6,019,033 A	2/2000	Wilson et al.	2014/0026765 A1	1/2014	Fou	
6,029,566 A	2/2000	McLemore	2014/0224750 A1	8/2014	Vogds	
6,089,145 A	7/2000	Watson	2015/0079251 A1 *	3/2015	Parrish	A23B 4/052
6,213,115 B1	4/2001	Anderson				426/314
6,234,066 B1	5/2001	Zittel et al.				
6,276,264 B1	8/2001	Dumm				
6,307,193 B1	10/2001	Toole				
6,422,134 B1	7/2002	Barksdale et al.				
D463,948 S	10/2002	Innes	CA	1072762 A	5/1980	
6,543,435 B1	4/2003	Regen et al.	DE	3631372 A1	3/1988	
6,561,178 B1	5/2003	Hayes	EP	1871205 B1	4/2010	
6,615,821 B1	9/2003	Fisenko	EP	2683280 B1	8/2015	
D481,903 S	11/2003	Hester	FR	2181880 A1	7/1973	
6,622,616 B1	11/2003	Measom	FR	2639813 A1	12/1988	
6,644,298 B2	11/2003	Hermansen et al.	FR	2639813 A1	6/1990	
D486,348 S	2/2004	Zhu	GB	563024 A	7/1944	
6,748,939 B1	6/2004	Gober	WO	0076381 A1	12/2000	
6,841,759 B2	1/2005	Elwedini	WO	2010001133 A1	1/2010	
6,845,707 B1	1/2005	Xu et al.	WO	2010063992 A1	6/2010	
6,913,011 B1	7/2005	Snider	WO	2010001135 A1	1/2015	
6,962,106 B2	11/2005	Viraldo				
7,140,362 B1	11/2006	Johnston				
7,159,509 B2	1/2007	Starkey				
D550,022 S *	9/2007	Amajuwon				D7/332
7,281,469 B1	10/2007	Barbour et al.				
D574,177 S	8/2008	Hulsey				
D576,833 S	9/2008	Mansell				
7,426,855 B2	11/2008	Aubele et al.				
D583,185 S *	12/2008	Rutter				D7/334
7,703,389 B2	4/2010	McLemore et al.				
D615,798 S	5/2010	McLemore et al.				
D616,243 S	5/2010	McLemore et al.				
D620,312 S	7/2010	Jendrass				
D629,244 S	12/2010	McLemore				
7,861,705 B2 *	1/2011	Hulsey				A47J 37/07
		126/25 A				

FOREIGN PATENT DOCUMENTS

CA	1072762 A	5/1980
DE	3631372 A1	3/1988
EP	1871205 B1	4/2010
EP	2683280 B1	8/2015
FR	2181880 A1	7/1973
FR	2639813 A1	12/1988
FR	2639813 A1	6/1990
GB	563024 A	7/1944
WO	0076381 A1	12/2000
WO	2010001133 A1	1/2010
WO	2010063992 A1	6/2010
WO	2010001135 A1	1/2015

OTHER PUBLICATIONS

<http://www.smokingmeatforums.com/t/91458/ behold-the-black-beauty/20>.

<http://www.smokingmeatforums.com/t/91458/ behold-the-black-beauty>.

<http://www.smokingmeatforums.com/t/84635/ finally-finished-my-uds/20>.

<http://www.smokingmeatforums.com/t/84635/ finally-finished-my-uds>.

<http://www.smokingmeatforums.com/t/75297/ finally-my-uds-is-here>.

<http://insidecolumbia.net/2016/05/07/ for-the-love-of-smoke/>.

<http://www.mightymac.org/07americanroyalBBQ.htm>.

- http://www.basehorinfo.com/news/2007/may/10/missouri_team_wins_barbecue_title/.
- <http://www.smokingmeatforums.com/t/93508/my-drum-beginings>.
- <http://www.smokingmeatforums.com/t/87593/my-first-uds-is-complete-and-running-w-pics>.
- <http://www.smokingmeatforums.com/t/82912/my-new-uds-and-seasoning-fatties>.
- <http://www.smokingmeatforums.com/t/75578/my-new-uds-w-qview>.
- <http://www.smokingmeatforums.com/t/95775/my-uds-build-with-stainless-steel-intake-and-exhaust>.
- <http://www.smokingmeatforums.com/t/95723/my-uds-finally-now-with-pics-and-video>.
- <http://www.smokingmeatforums.com/t/72013/my-uds-is-finished/20>.
- <http://www.smokingmeatforums.com/t/72013/my-uds-is-finished/40>.
- <http://www.smokingmeatforums.com/t/72013/my-uds-is-finished>.
- <http://www.smokingmeatforums.com/t/87947/ok-got-my-drum-last-night-any-last-minute-pointers>.
- <http://www.smokingmeatforums.com/t/87947/ok-got-my-drum-last-night-any-last-minute-pointers/20>.
- <http://www.smokingmeatforums.com/t/94186/one-more-uds-question/20>.
- <http://www.smokingmeatforums.com/t/94186/one-more-uds-question>.
- <http://www.smokingmeatforums.com/t/90748/pics-of-my-uds>.
- <http://www.smokingmeatforums.com/t/88858/tailgating-uds-build-w-qview/20>.
- <http://www.smokingmeatforums.com/t/88858/tailgating-uds-build-w-qview>.
- <http://www.bbq-brethren.com/forum/showpost.php?p=383013&postcount=211>.
- [http://mydigitalpublication.com/publication/index.php?i=263552&m=&l=&p=11&pre=&ver=html5# {"p":10,"issue_id":263552}](http://mydigitalpublication.com/publication/index.php?i=263552&m=&l=&p=11&pre=&ver=html5#{).
- [http://mydigitalpublication.com/publication/index.php?i=263552&m=&l=&p=11&pre=&ver=html5# {"p":24,"issue_id":2635521}](http://mydigitalpublication.com/publication/index.php?i=263552&m=&l=&p=11&pre=&ver=html5#{).
- <http://www.smokingmeatforums.com/t/82248/uds-build-1st-cook>.
- <http://uglydrumsmoker.blogspot.com/>.
- <http://uglydrumsmoker.blogspot.com/2008/09/major-parts-and-donor-kettle-grill.html>.
- <http://uglydrumsmoker.blogspot.com/2008/09/fitting-and-using-lid-from-donor-kettle.html>.
- <http://uglydrumsmoker.blogspot.com/2008/09/building-charcoalwood-basket.html>.
- <http://uglydrumsmoker.blogspot.com/2008/09/layout-drilling-holes-etc.html>.
- <http://uglydrumsmoker.blogspot.com/2008/09/air-intake-control-spring-loaded.html>.
- <http://uglydrumsmoker.blogspot.com/2008/09/wheels-and-other-functional-bling.html>.
- <http://uglydrumsmoker.blogspot.com/2008/09/design-functionality-and-how-it-will.html>.
- <http://uglydrumsmoker.blogspot.com/2008/12/added-powered-rotisserie.html>.
- <http://uglydrumsmoker.blogspot.com/2008/12/smoking-on-uds-experiences.html>.
- <http://www.smokingmeatforums.com/t/94193/want-to-build-a-uds>.
- https://www.youtube.com/watch?time_continue=2&v=C4GkxpsKHfO.
- <http://www.smokingmeatforums.com/t/56966/chicken-and-turkey-wings-in-the-barrel>.
- <http://cowgirlscountry.blogspot.com/2008/05/my-uds-so-far.html>.
- <http://www.smokingmeatforums.com/t/80385/hello-from-chico>.
- <https://www.youtube.com/watch?v=NZvO5Ht-u4A>.
- http://www.meathenge.com/2004/11/mel_sons_muffle/.
- “UDS W/ Fire Basket & Ash Pan for: Malcom Reed” Killer Hogs BBQ.
- https://www.youtube.com/watch?v=k_pNTgfrhEl.
- <http://www.smokingmeatforums.com/t/57879/ugly-drum-smokers>.
- <https://web.archive.org/web/20090218082824/http://cowgirlscountry.blogspot.com/2008/05/my-uds-so-far.html>.
- Drag’s Welding UDS Photographs.
- 1992 UDS Photographs.
- The Calaveras Enterprise, Aug. 16, 1996.
- The Calaveras Enterprise, Aug. 27, 1996.
- The Calaveras Enterprise, Aug. 30, 1994.
- <http://www.soffiawardy.com/eat-drink/eat-by-city/kauai-hawaii/kauais-best-roadside-barbeque-chicken-in-a-barrel-bbq/>.
- “Firehouse Food; Cooking With San Francisco’s Firefighters” George Dolese & Steve Siegelman, 2003, Chronicle Books, San Francisco.
- “Beef-in-a-barrel barbeque” Sunset Magazine p. 120, May 1984.
- <http://www.bbq-brethren.com/forum/showthread.php?t=86910>.
- <https://web.archive.org/web/20100709200903/www.d-meatbarrel.com/>.
- https://web.archive.org/web/20100711070559/http://d-meatbarrel.com:80/index.php?option=com_content&view=article&id=61&Itemid=89.
- <http://www.bbq-brethren.com/forum/showthread.php?t=23436>.
- Excerpts from archived webpages at Archive.org—<http://web.archive.org/web/20090307233649/http://www.cilindroperuano.com:80/>, excerpts published at least as early as 2010.
- Youtube video posted in 2006, found at the following URL: <https://www.youtube.com/watch?v=ejbwAXdKf0>.
- Youtube video posted in 2009, found at the following URL: <https://www.youtube.com/watch?v=KXPaKRYZ7fU>.
- Youtube video posted in 2007, found at the following URL: <https://www.youtube.com/watch?v=DLzNS7VLaAs>.
- Youtube video posted in 2007, found at the following URL: <https://www.youtube.com/watch?v=CTNRO-H1SOQ>.
- Youtube video posted in 2011, found at the following URL: <https://www.youtube.com/watch?v=c-xgGzpG6QA>.
- Youtube video posted in 2011, found at the following URL: <https://www.youtube.com/watch?v=RK8gsS4ZuT4>.
- Youtube video posted in 2009, found at the following URL: <https://www.youtube.com/watch?v=6UXEAoIOPKE>.
- Youtube video posted in 2011, found at the following URL: <https://www.youtube.com/watch?v=ltZhtmC1Ts>.
- Youtube video posted in 2010, found at the following URL: <https://www.youtube.com/watch?v=djtaVY1LgTs>.
- Youtube video posted in 2009, found at the following URL: <https://www.youtube.com/watch?v=9MrJlIGJgSM>.
- Youtube video posted in 2009, found at the following URL: <https://www.youtube.com/watch?v=y-EuVITL4e4>.
- Youtube video posted in 2010, found at the following URL: <https://www.youtube.com/watch?v=DPAU9-Rhvek>.
- Youtube video posted in 2011, found at the following URL: <https://www.youtube.com/watch?v=z7nr3Fq5kl>.
- Youtube video posted in 2010, found at the following URL: <https://www.youtube.com/watch?v=t5rkVAEhhi8>.
- Youtube video posted in 2010, found at the following URL: https://www.youtube.com/watch?v=k_pNTgfrhEl.
- Youtube video posted in 2010, found at the following URL: <https://www.youtube.com/watch?v=JyxC1N4xZ-o>.
- Youtube video posted in 2011, found at the following URL: <https://www.youtube.com/watch?v=C4GkxpsKHfO>.
- Youtube video posted in 2011, found at the following URL: https://www.youtube.com/watch?v=Z76y8j3_IYY.
- Picts! Our UDS Cooker (and How to Build One)—Part 1, Feb. 24, 2016, <http://www.thepickledpig.com/forums/showthread.php?t=832>.
- 55 gal drum smoker project, Sep. 13, 2008, <https://web.archive.org/web/20100716050201/http://www.bbqrevolution.com/55gal-londrumsmokerproject/>.
- Thread: Drum smoker (california style), Oct. 20, 2009, [http://www.thejoint.com/forum/showthread.php?1466Drumsmoker\(californiastyle\)](http://www.thejoint.com/forum/showthread.php?1466Drumsmoker(californiastyle)).
- Karoly, Steven, “Round the Chuckbox: Ugly drum smoker”, Mar. 29, 2016, <http://roundthechuckbox.blogspot.com/2011/05/uglydrumsmoker.html>.
- Koroly, Steven, “Round the Chuckbox: Ugly drum smoker”, May 11, 2011, <http://roundthechuckbox.blogspot.com/2011/05/uglydrumsmoker.html>.
- The Smoke Ring, “Build Your Own Upright Drum Smoker”, Jun. 27, 2009, <http://www.thesmokingring.com/forum/viewtopic.php?p=275978&sid=09852b63ffaf40c19f787f4c75effd9f>.

The BBQ Brethren, From the Backyard to the American Royal, Mar. 29, 2016, <http://www.bbqbrethren.com/forum/showthread.php?t=41237&goto=nextnewest>.

Barrel House Cooker Deluxe Kit, Jun. 29, 2016, <https://www.barrelhousecooker.com/product/bhcdeluxe/>.

Barrel House Cooker Standard Kit, Jun. 29, 2016, <https://www.barrelhousecooker.com/product/bhstandard/>.

The Pit Barrel Cooker Package, Jun. 29, 2016, <http://www.pitbarrelcooker.com/product/thepitbarrelcookerpackage/>.

US Military, Police or Fire Pit Barrel Cooker Package, Jun. 29, 2016, <http://www.pitbarrelcooker.com/product/usmilitarypitbarrelcookerpackage/>.

Karoly, Steven, "Round the Chuckbox: Ugly Drum Smoker", Oct. 20, 2009, <http://roundthechuckbox.blogspot.com/2009/10/uglydrumsmoker.html>.

Collins, Patrick, "Chicken Barrel Cooker" (YouTube 2010), <https://www.youtube.com/watch?v=oCFTF5T-cp4>.

Pierce, Mike, "Kauai's Best Barbecue: Chicken in a Barrel BBQ" (2010), <http://www.soffiawardy.com/eatdrink/eatbycity/kauaihawaii/kauaisbestroadsidebarbегuechickeninabarrelbbq/>.

Barrel House Cooker, Owner's Manuel (2015).

Reed, Malcom, "UDS Smoker List", Apr. 12, 2011, www.howtobbqright.com.

Reed, Malcom, "Build your own UDS", Apr. 12, 2011, <http://www.smokingmeatforums.com/t/65394/newbarrelinabarreluds>.

Smoking Meat Forum, "New Barrel in a Barrel UDS", Apr. 27, 2008, <http://www.smokingmeatforums.com/t/65394/newbarrelinabarreluds>.

The Pickled Pigs UDS Build, 2009, www.thepickledpig.com.

WhistleTop: Chicken in a Barrel, (YouTube Mar. 16, 2011), <https://www.youtube.com/watch?v=6VBk2DemD9Y>.

Hawaii Life: Chicken in a Barrel (YouTube Nov. 13, 2014), <https://www.youtube.com/watch?v=3GyuTOctoUl>.

Barrel Smoker Chick (YouTube May 31, 2010), <https://www.youtube.com/watch?v=-eBILaFTqIM>.

"Ultimate Tri-Tip Cooker," SmokingMeatForums.com, Jun. 6, 2010, <http://www.smokingmeatforums.com/t/95215/ultimatetritipcooker>.

"Beef in a Barrel Barbeque," Sunset Publish. Corp., May 1984, <https://www.questia.com/read/1G13245623/beefinabarrelbarbeque>.

"Barbecuing chicken in a barrel," Sunset Publish. Corp., May 1984, <https://www.thefreelibrary.com/Barbecuing+chicken+in+a+barrel.a03245653>.

Degraff, "A Little Bit About Us & A Big Thank You," D-Meatbarrel, Jul. 18, 2015, <http://www.d-meatbarrel.com/uncategorized/dmb-a-little-bit-about-us-a-big-thank-you/>.

Pierce, Mike, "Chicken in a Barrel BBQ—Best BBQ—Hawaii," 2015, <https://www.youtube.com/watch?v=mVtw4XFmudQ>.

"Barbecue apparatus for cooking food in the heat given out by a solid fuel raised to incandescence", 1990, Abstract Describing FR2639813.

* cited by examiner

Primary Examiner — Brett Miller

(74) *Attorney, Agent, or Firm* — William K. Nelson; Mark D. Miller; Jared E. Christensen

(57)

CLAIM

We claim the ornamental design for a barrel cooker, as shown and described.

DESCRIPTION

FIG. 1 is a front perspective view of a barrel cooker showing our new design;

FIG. 2 is a left side elevational view of the design shown in FIG. 1;

FIG. 3 is a right side elevational view of the design shown in FIG. 1;

FIG. 4 is a front elevational view of the design shown in FIG. 1;

FIG. 5 is a rear elevational view of the design shown in FIG. 1;

FIG. 6 is a top plan view of the design shown in FIG. 1;

FIG. 7 is a bottom plan view of the design shown in FIG. 1;

FIG. 8 is a front perspective exploded view of the barrel cooker with the top portion of the barrel cooker positioned over the bottom portion of the barrel cooker;

FIG. 9 is a top plan view of the bottom portion shown in FIG. 8;

FIG. 10 is a left side elevational view of the bottom portion shown in FIG. 8;

FIG. 11 is a right side elevational view of the bottom portion shown in FIG. 8;

FIG. 12 is a rear elevational view of the bottom portion shown in FIG. 8;

FIG. 13 is a front elevational view of the bottom portion shown in FIG. 8;

FIG. 14 is a bottom plan view of the top portion of the barrel cooker shown in FIG. 8;

FIG. 15 is a front perspective view of an alternative embodiment of a barrel cooker showing our new design;

FIG. 16 is a left side elevational view of the design shown in FIG. 15;

FIG. 17 is a right side elevational view of the design shown in FIG. 15;

FIG. 18 is a front elevational view of the design shown in FIG. 15;

FIG. 19 is a rear elevational view of the design shown in FIG. 15;

FIG. 20 is a top plan view of the design shown in FIG. 15;

and, FIG. 21 is a bottom plan view of the design shown in FIG. 15.

The broken (dashed) lines showing such features as handles, feet, grill grid, holes, and the like are not part of the claimed design. The broken lines on the surface portion indicate contour and not surface decoration.

1 Claim, 19 Drawing Sheets

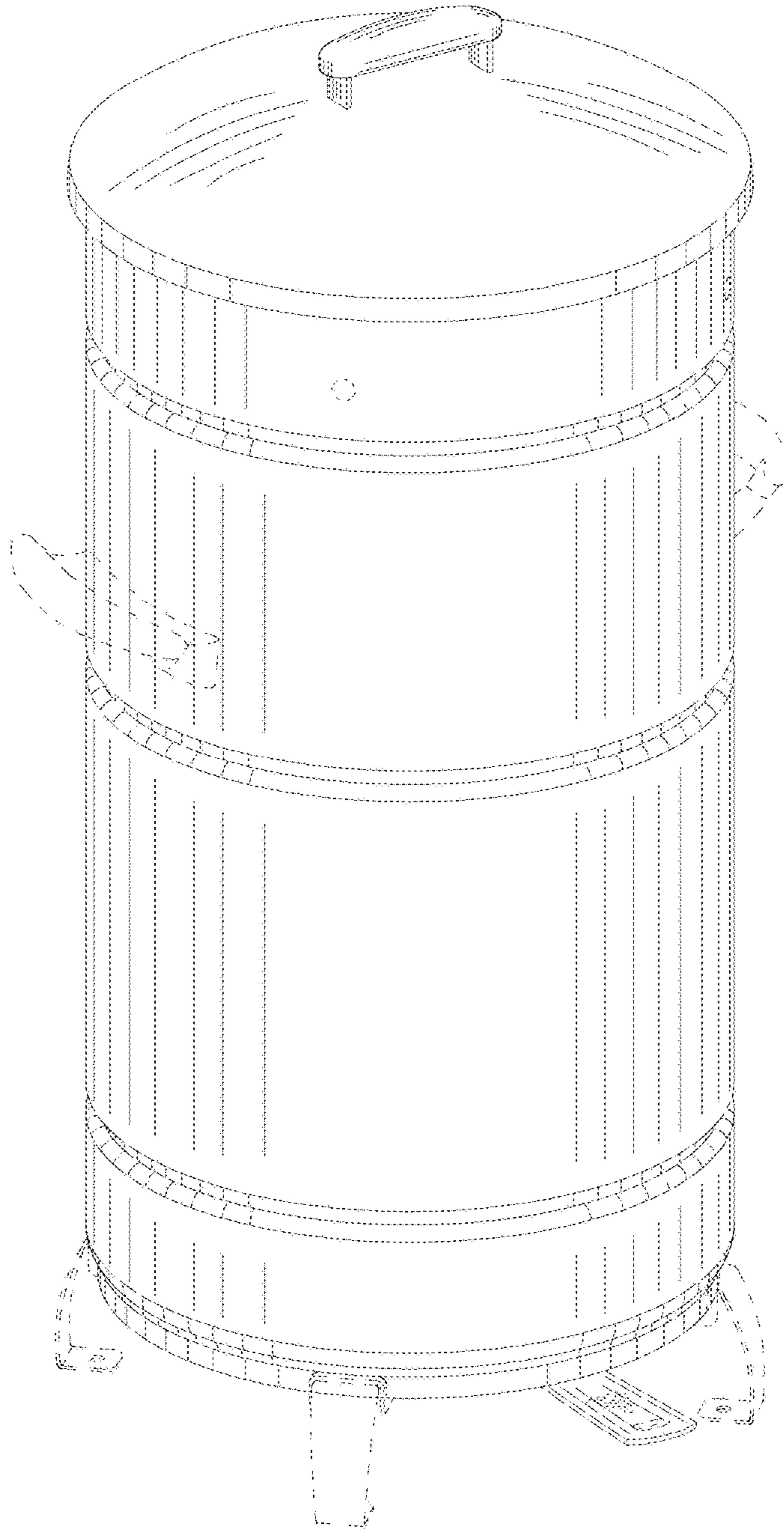


FIG. 1

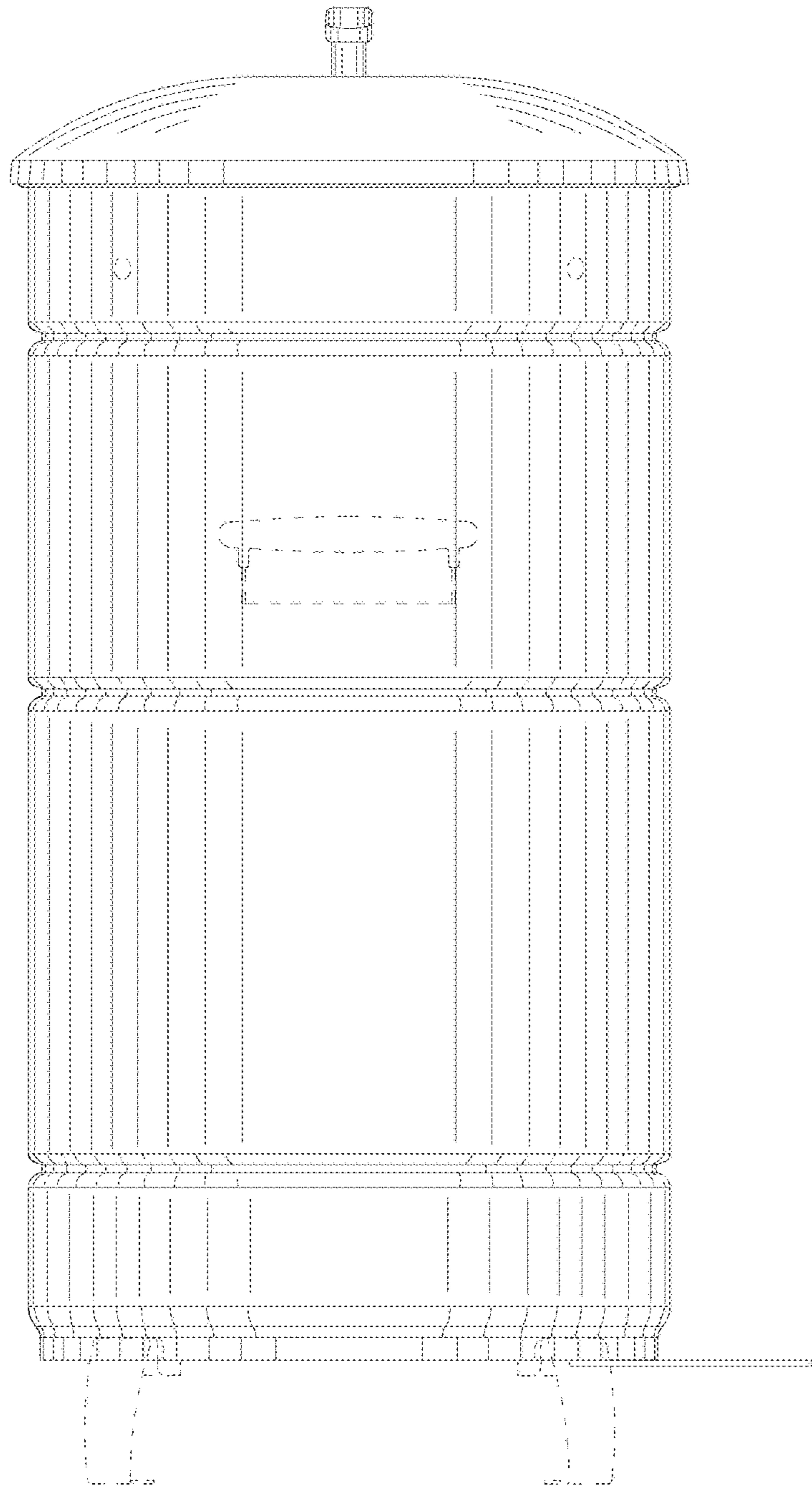


FIG. 2

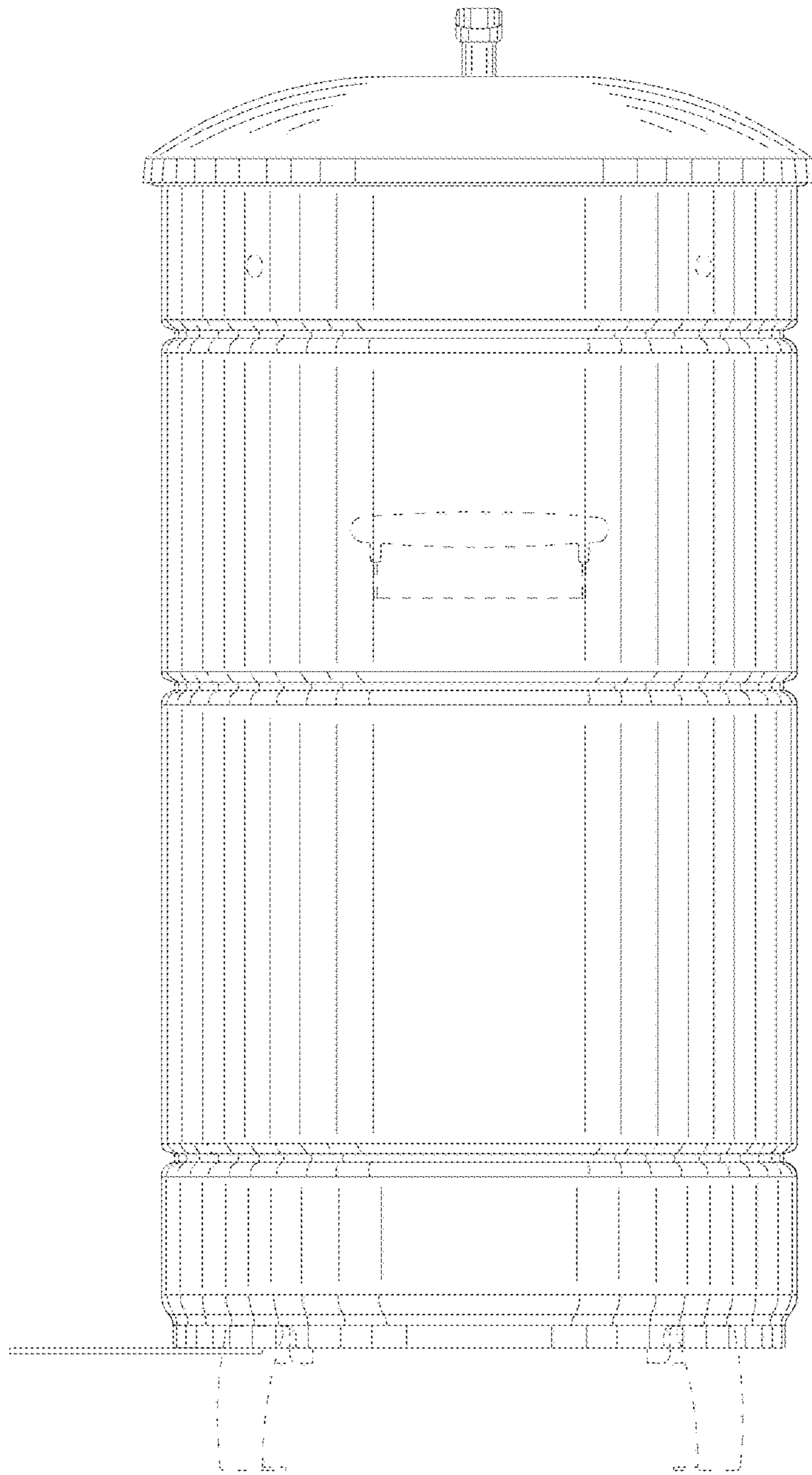


FIG. 3

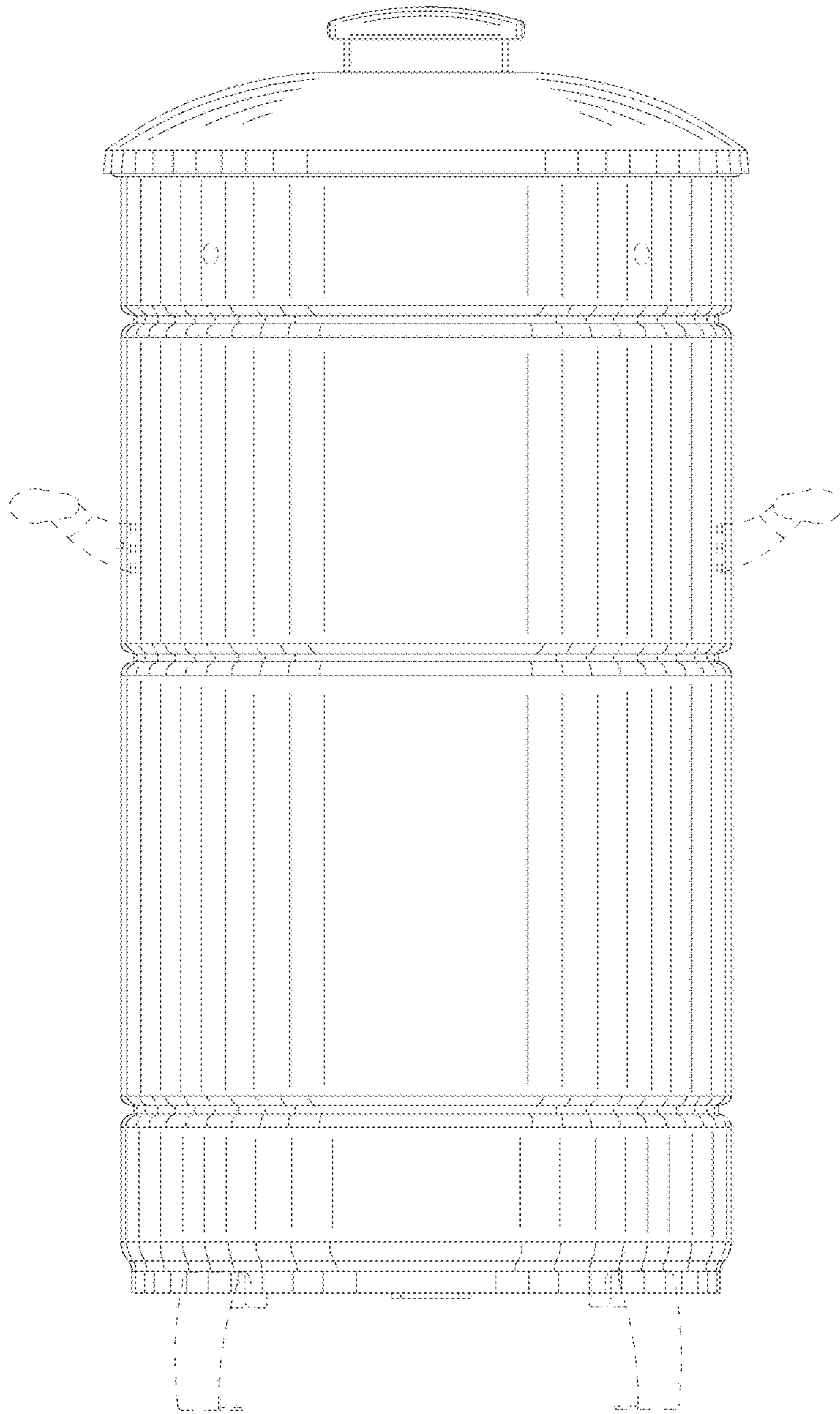


FIG. 4

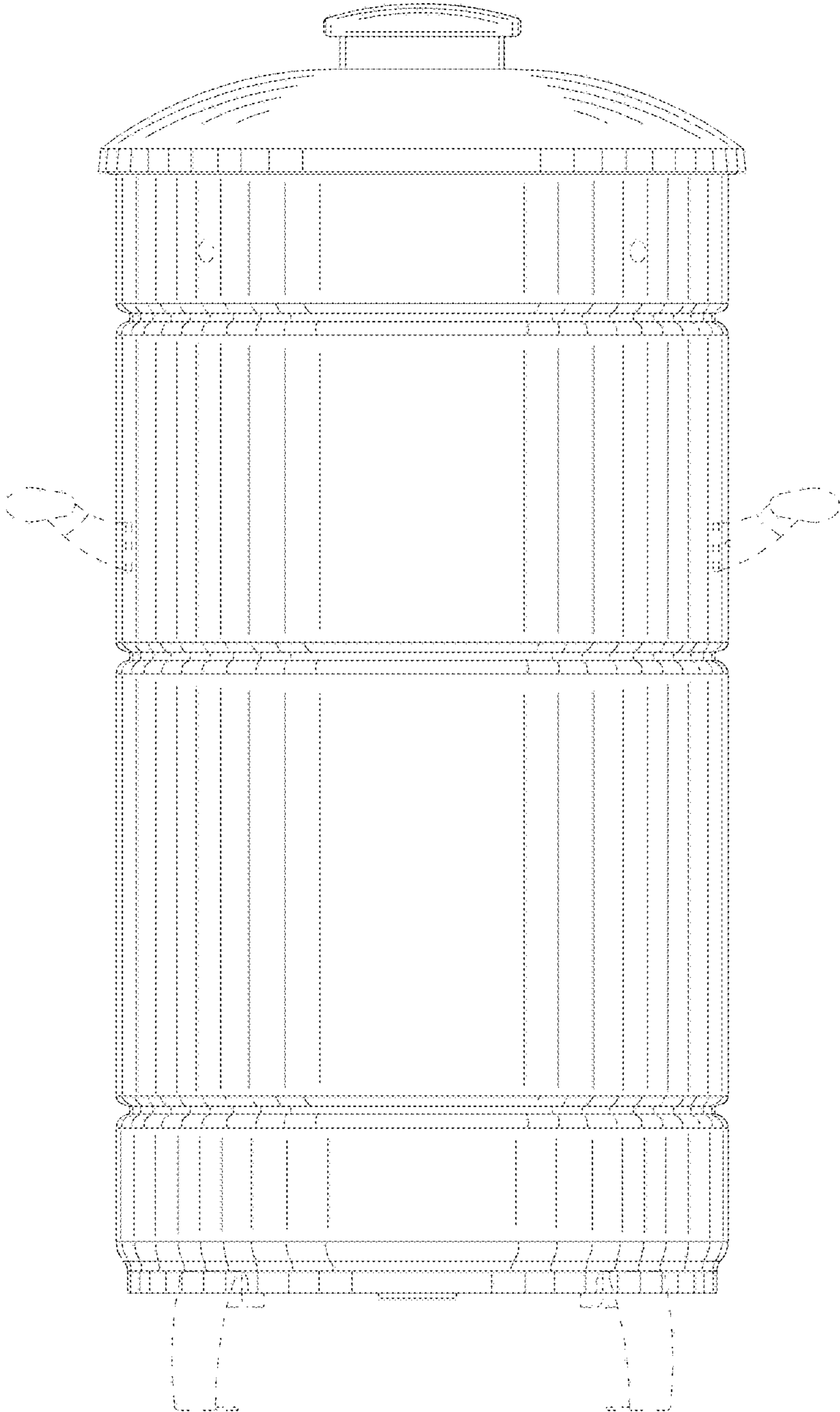


FIG. 5

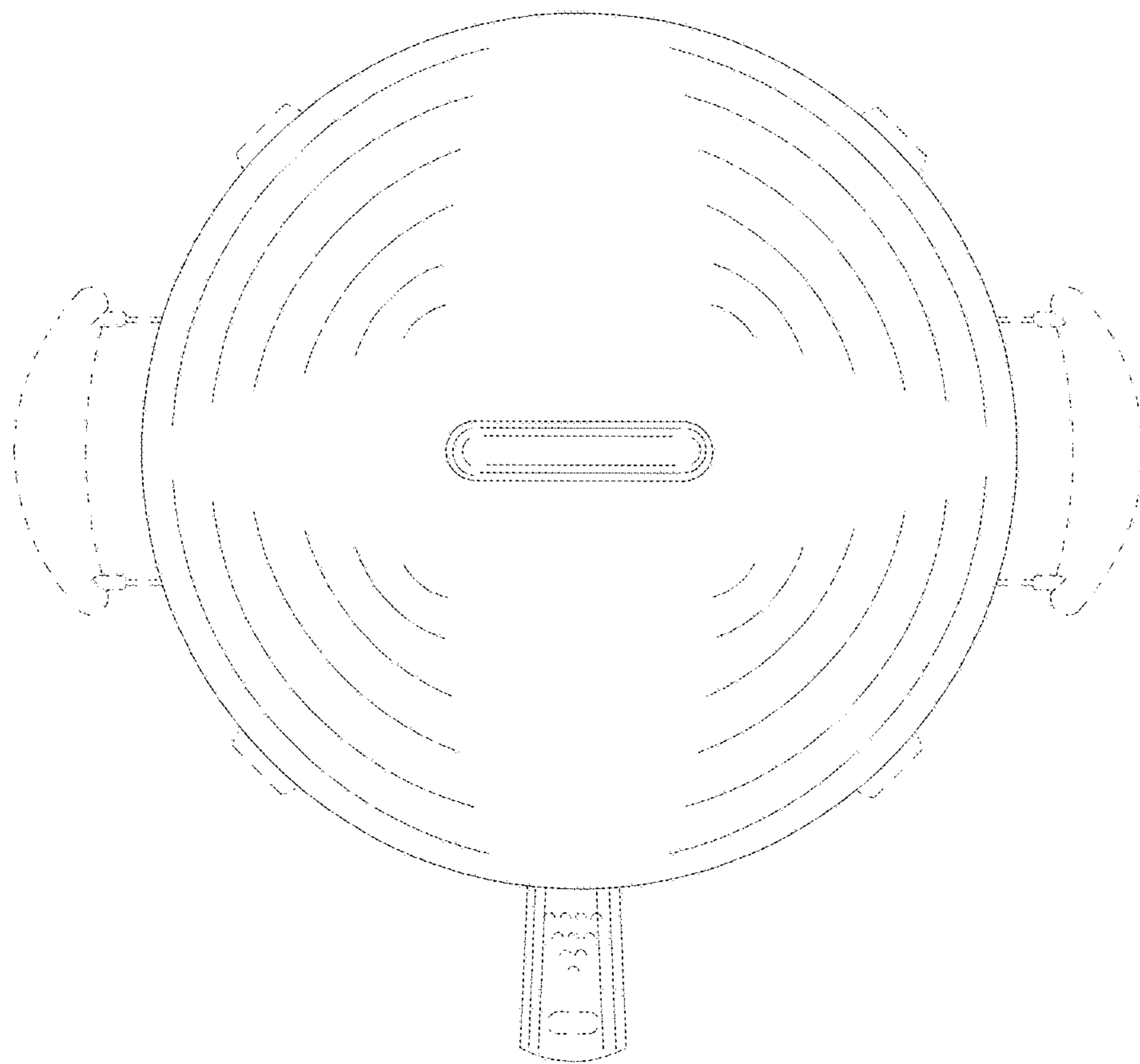
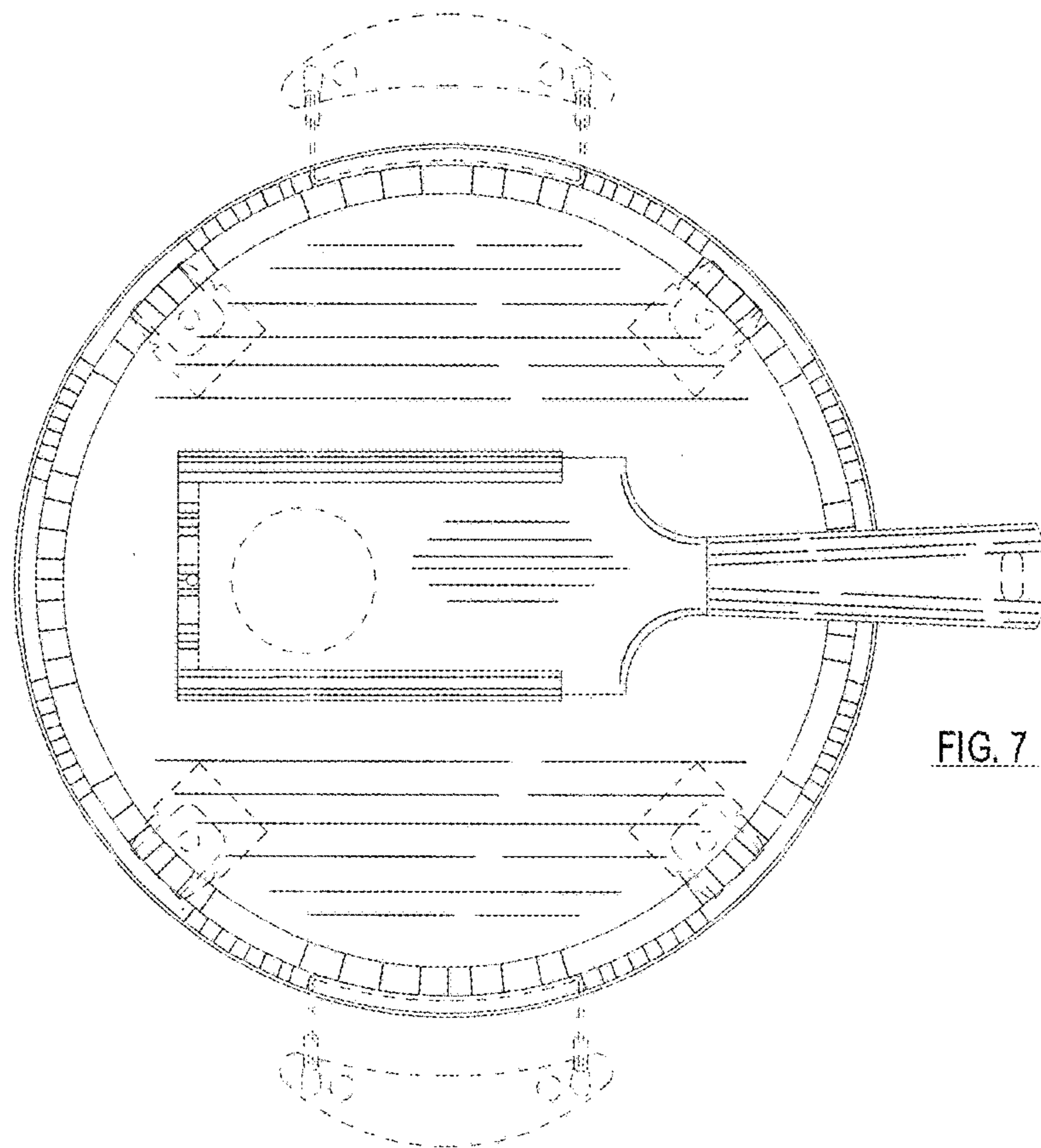


FIG. 6



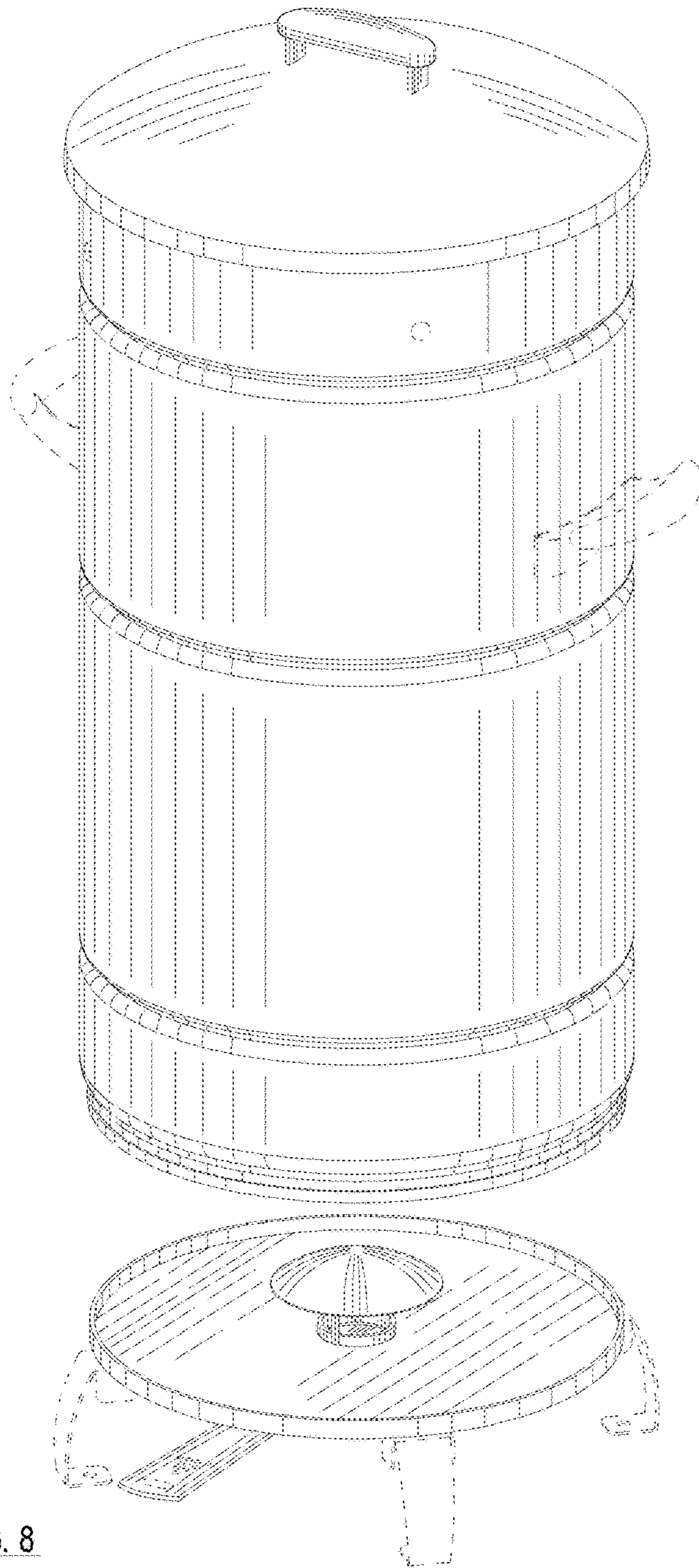


FIG. 8

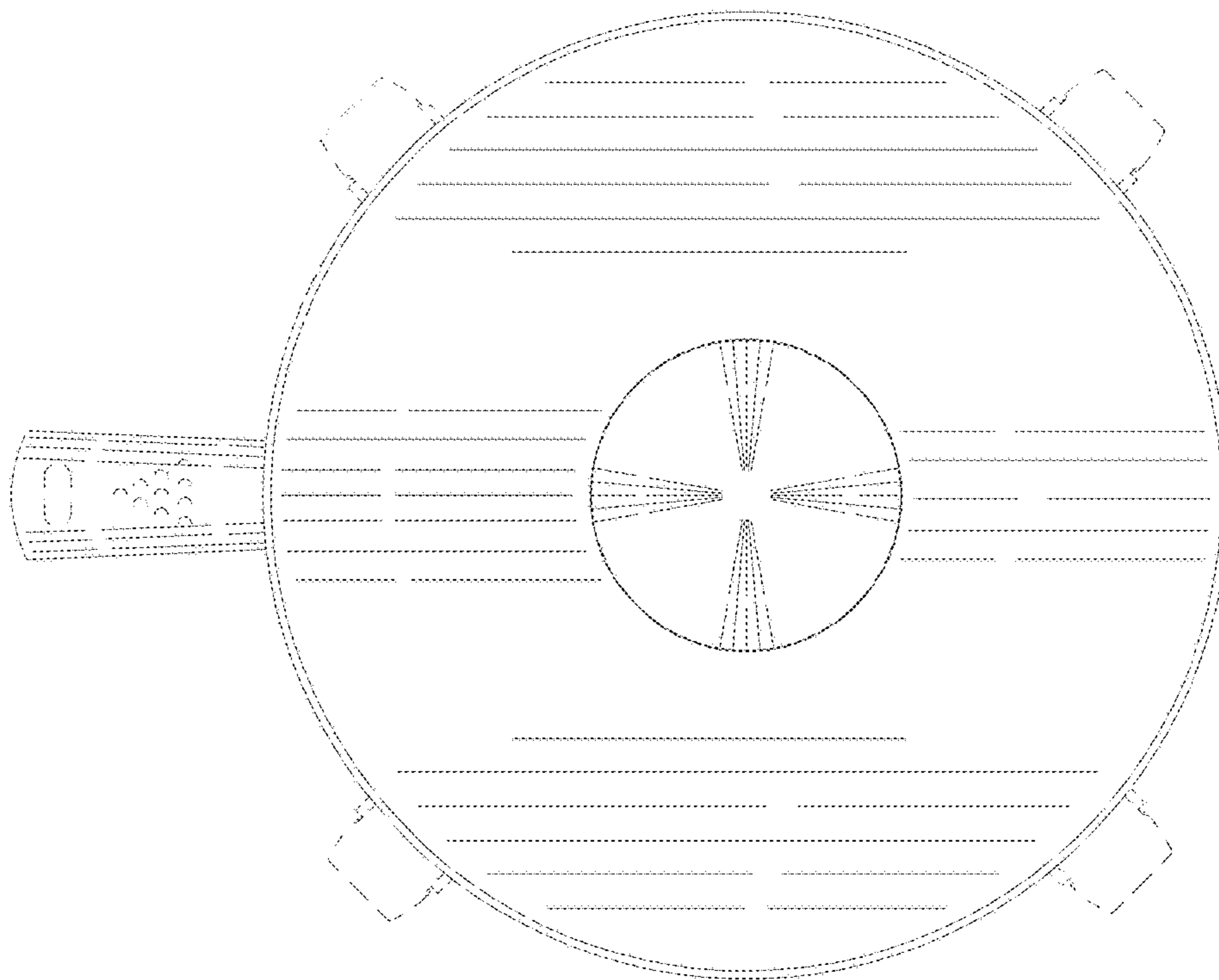


FIG. 9

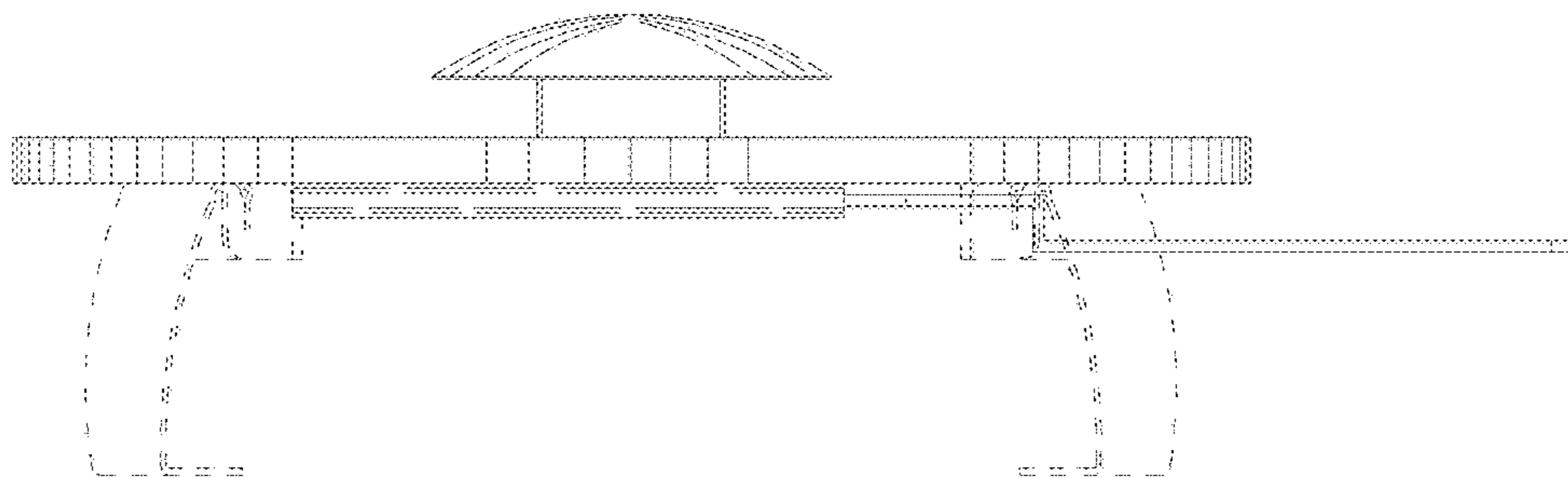


FIG. 10

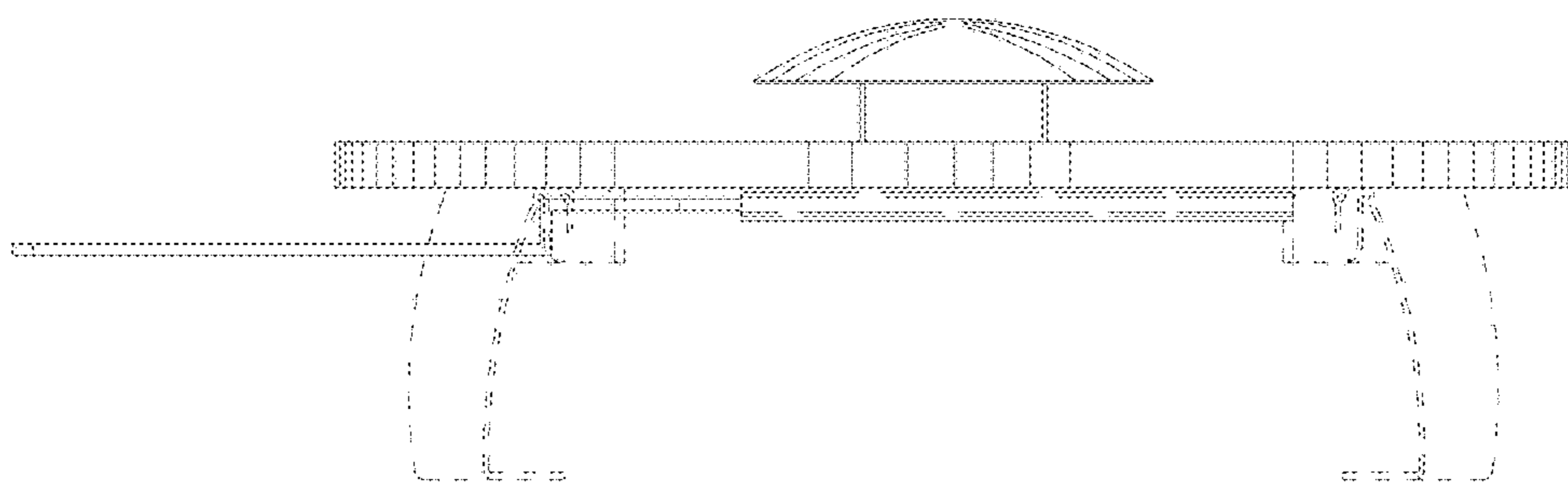


FIG. 11

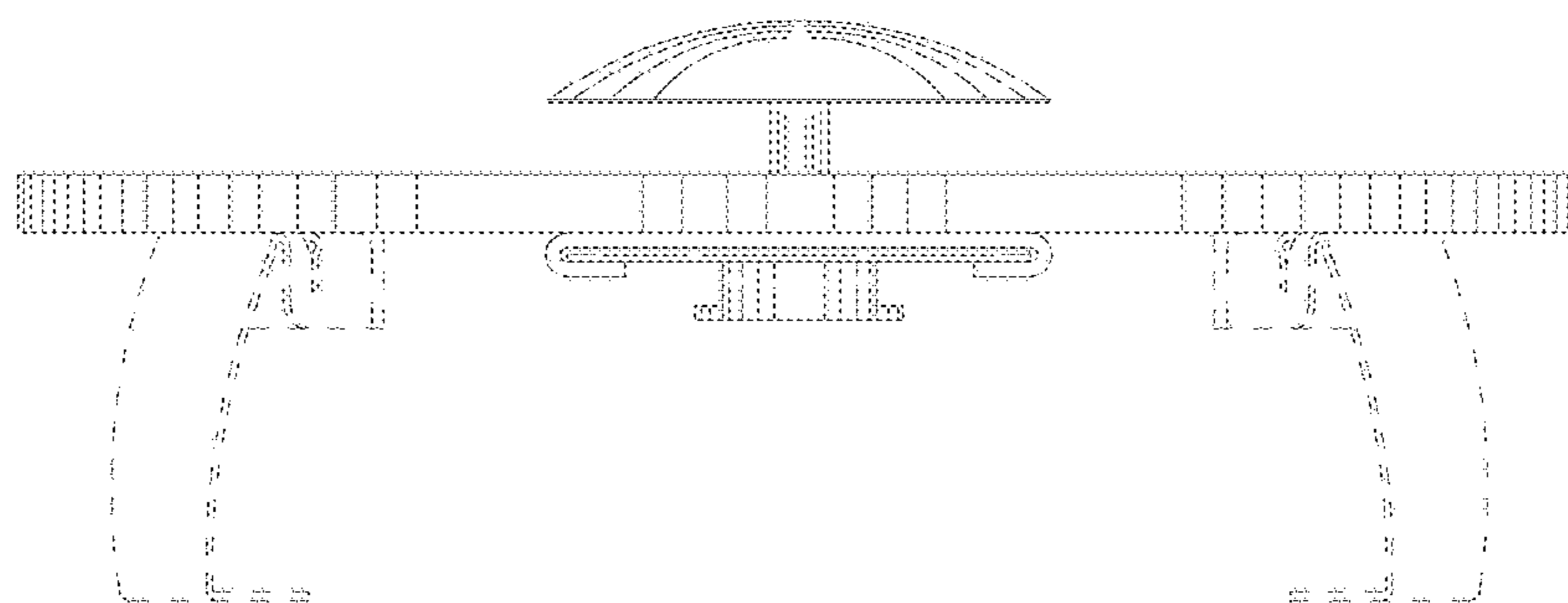


FIG. 12

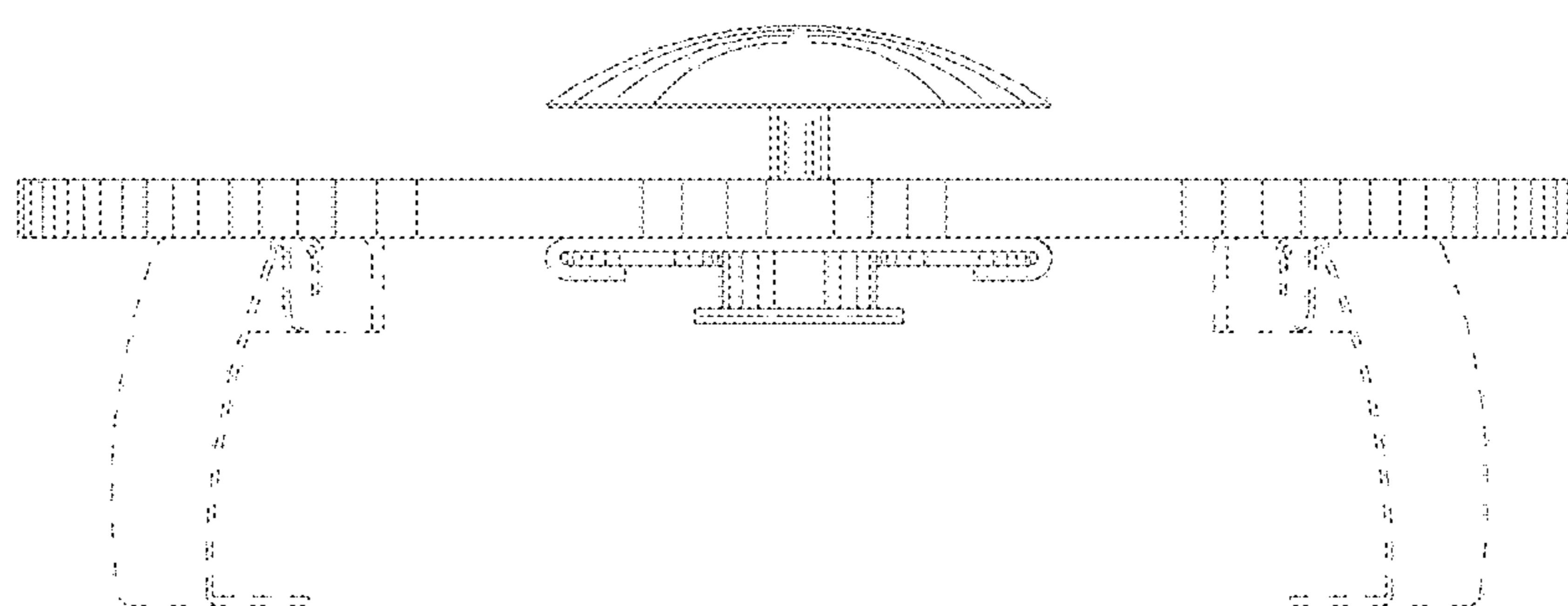


FIG. 13

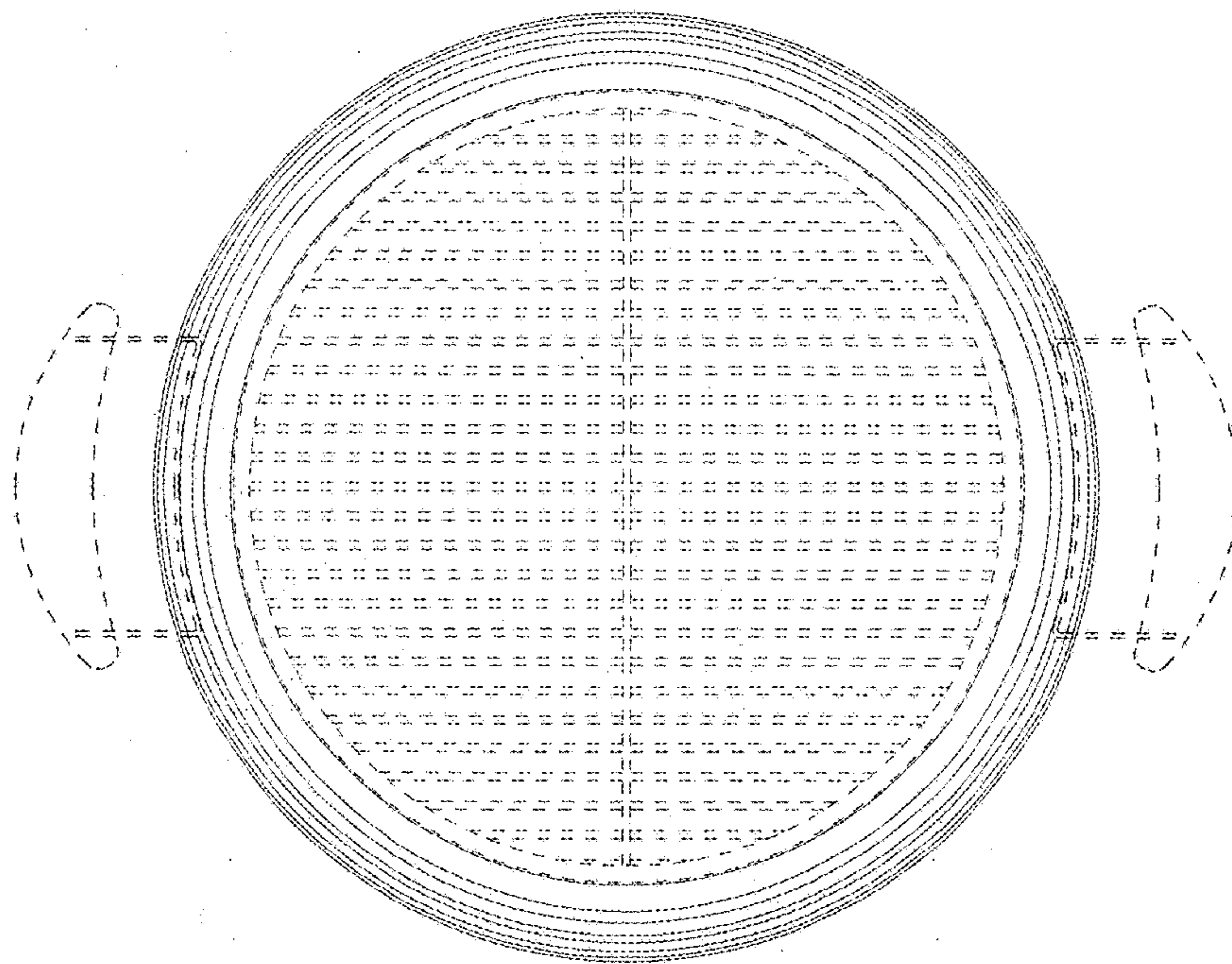


FIG. 14

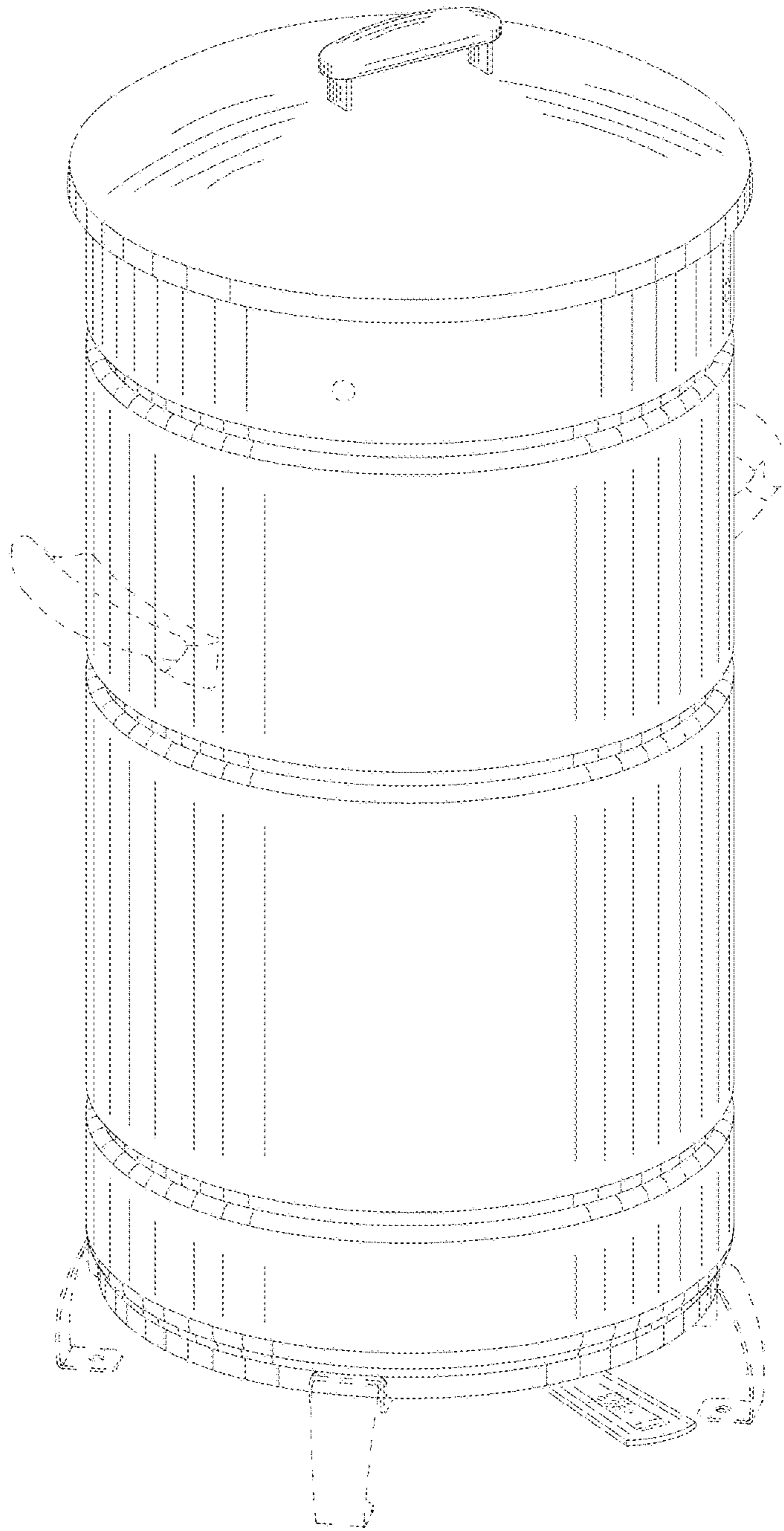


FIG. 15

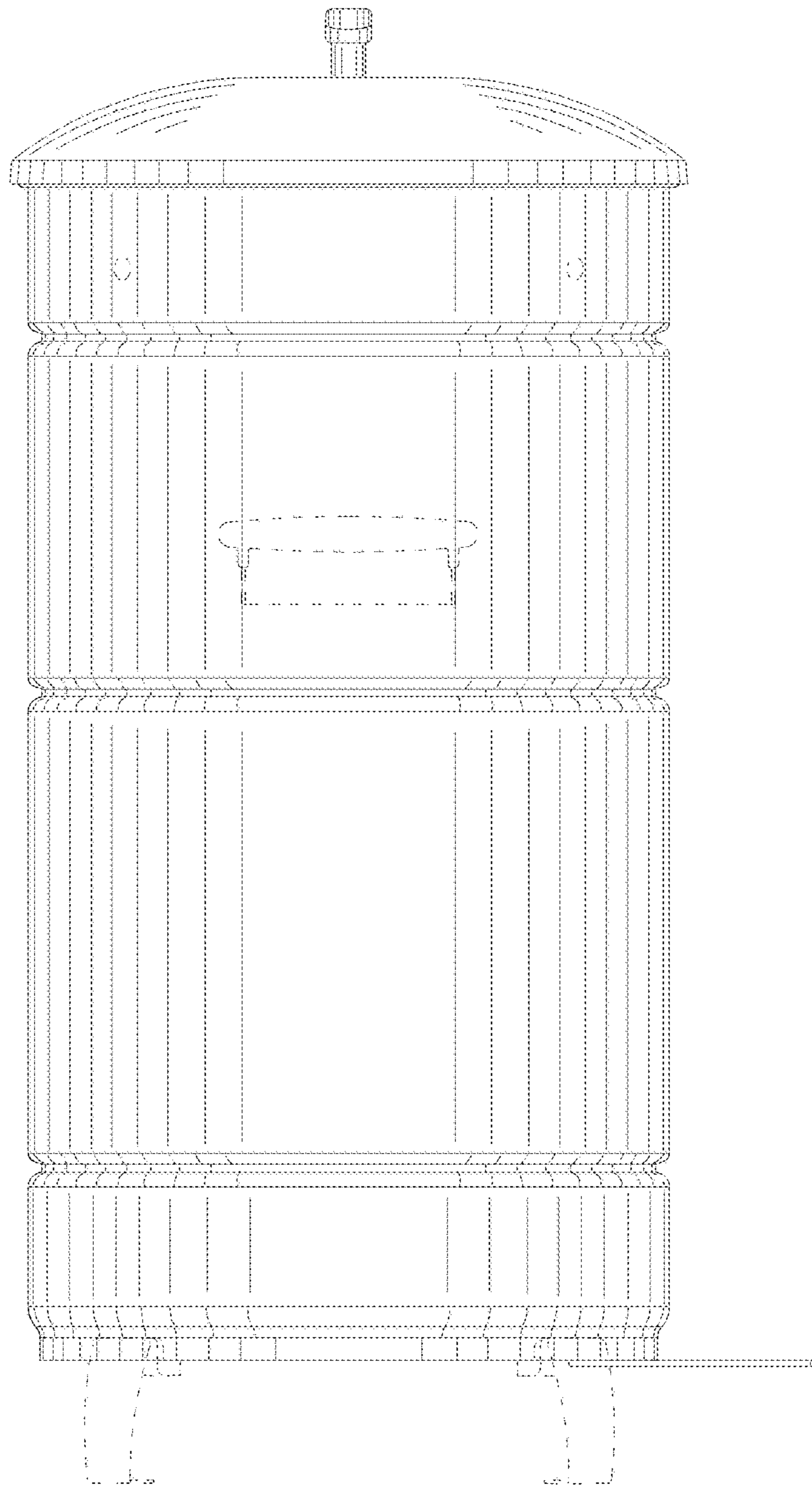


FIG.16

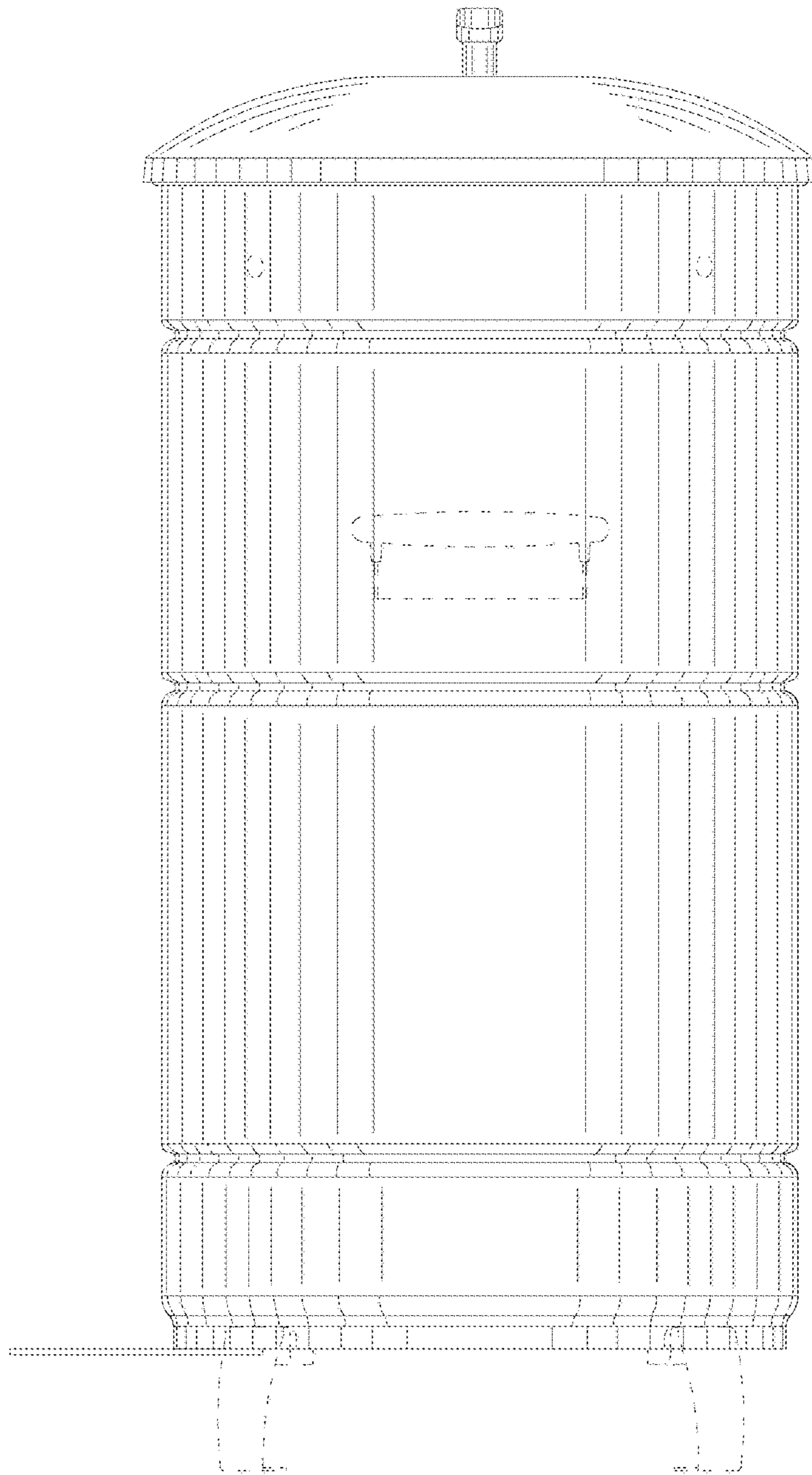


FIG.17

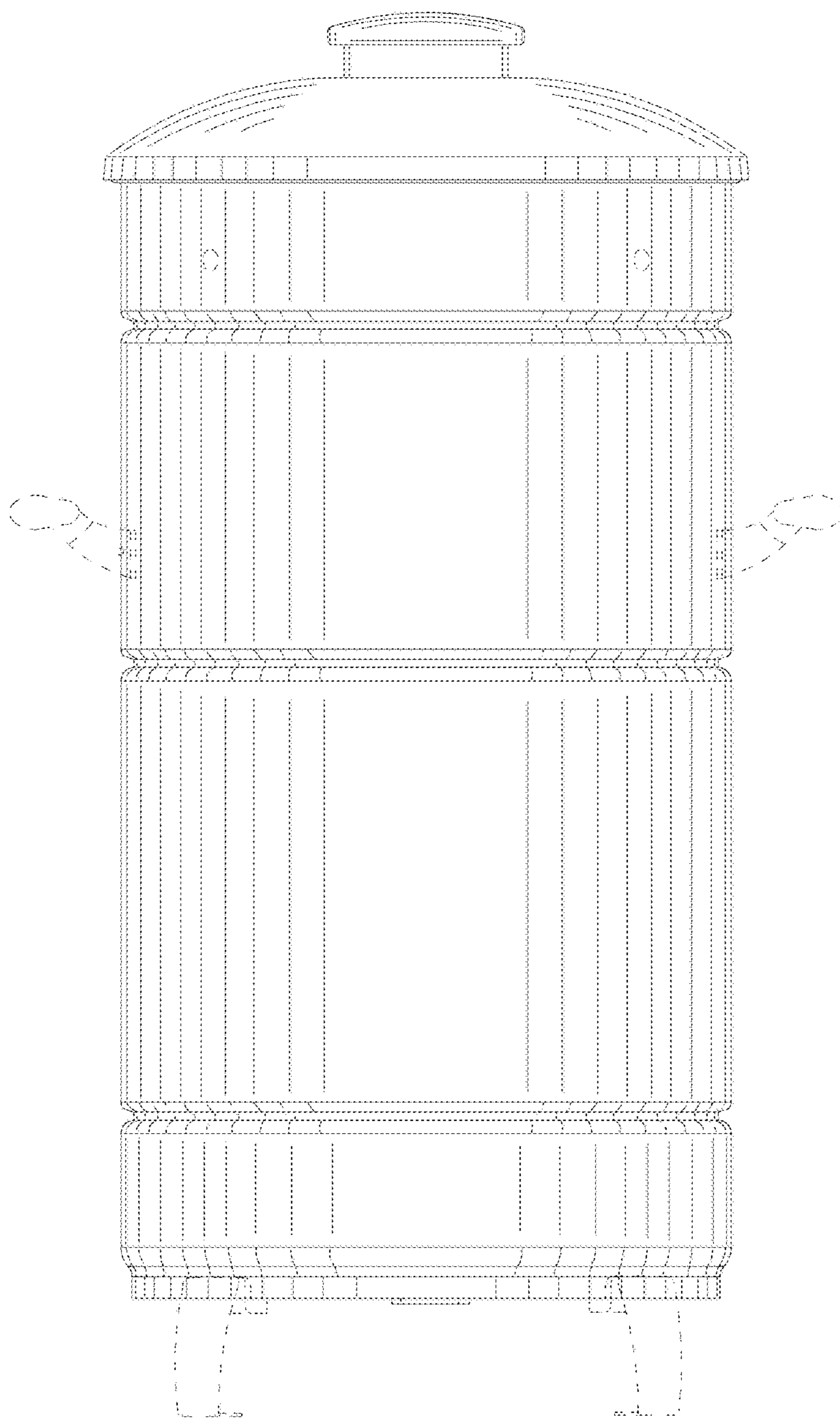


FIG. 18

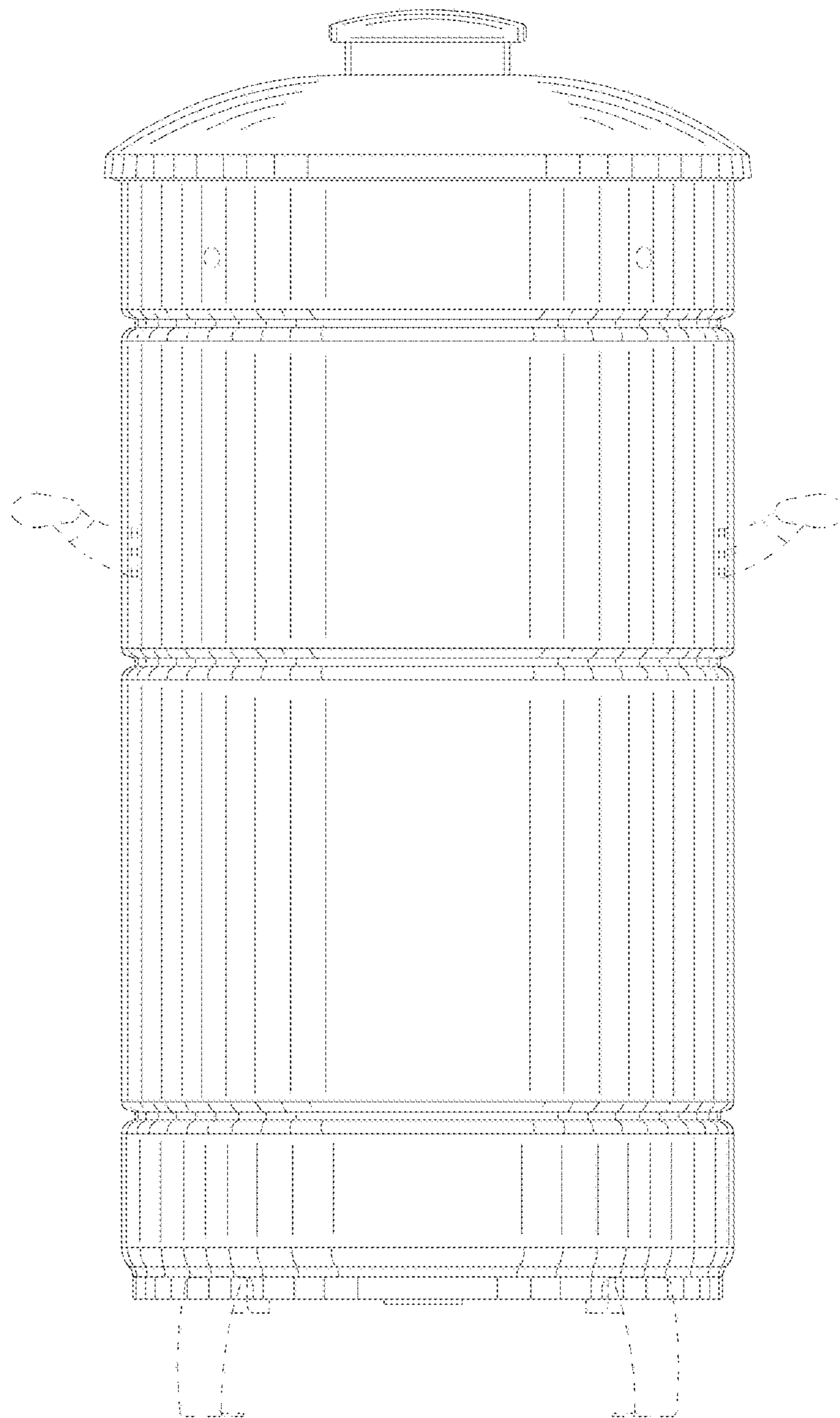


FIG.19

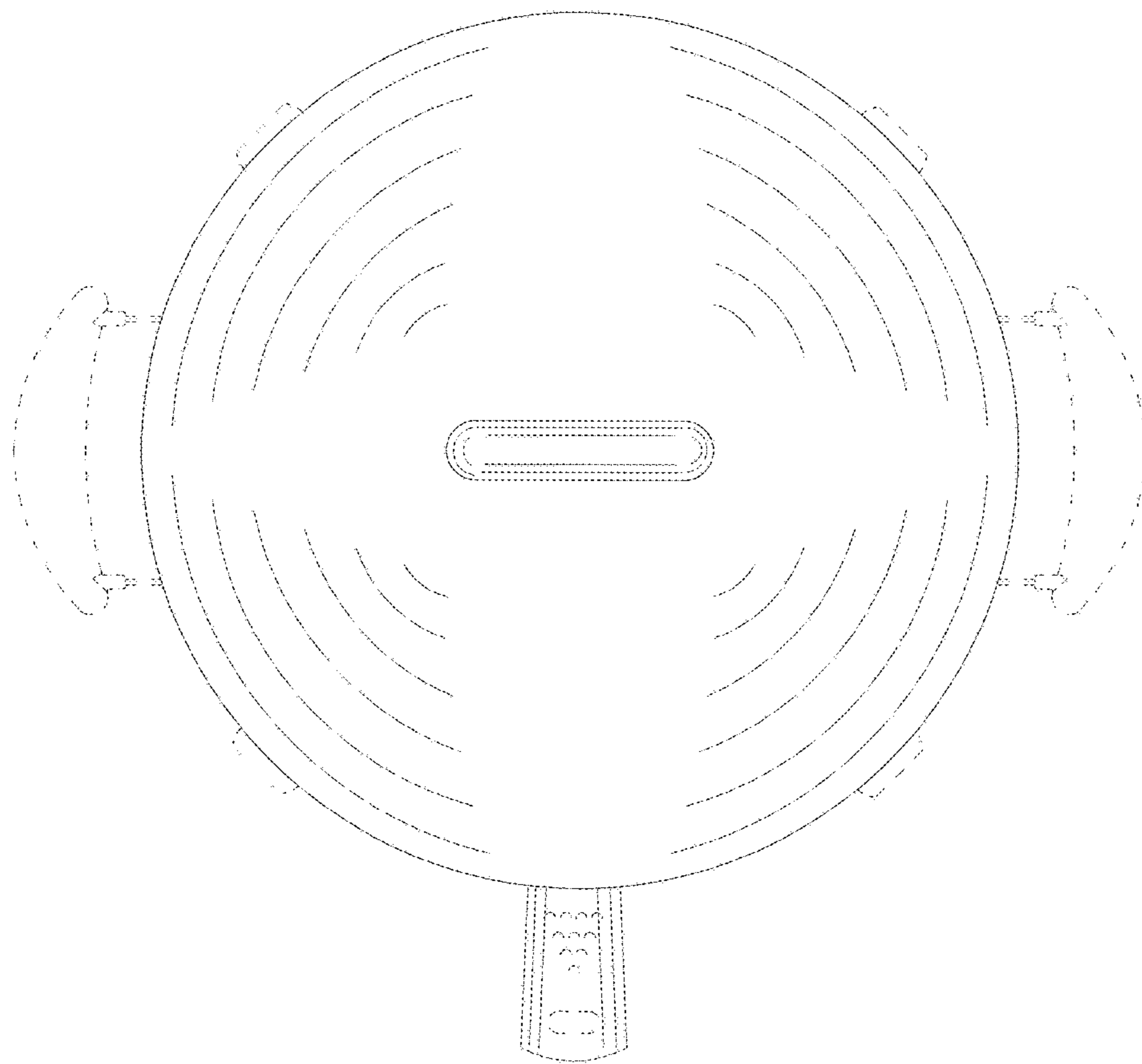


FIG. 20

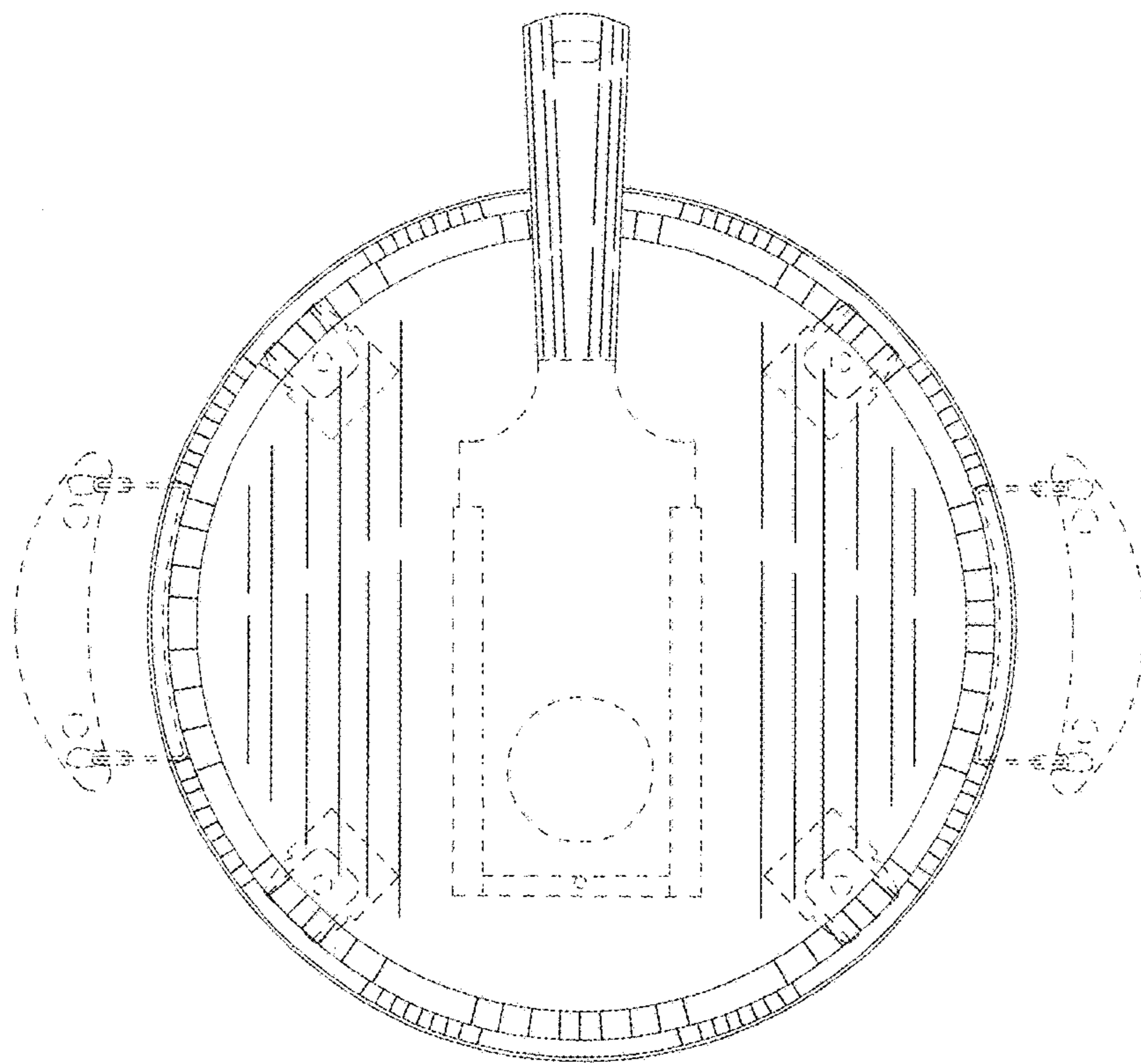


FIG. 21