



US00D854869S

(12) **United States Design Patent**
Pisarevsky

(10) **Patent No.:** **US D854,869 S**

(45) **Date of Patent:** **** Jul. 30, 2019**

(54) **COMBINATION PORTABLE POUR OVER
COFFEE MAKER AND INSULATED
BEVERAGE CONTAINER**

(71) Applicant: **Arie Pisarevsky**, Montreal (CA)

(72) Inventor: **Arie Pisarevsky**, Montreal (CA)

(**) Term: **15 Years**

(21) Appl. No.: **29/633,620**

(22) Filed: **Jan. 15, 2018**

(51) **LOC (11) Cl.** **07-01**

(52) **U.S. Cl.**
USPC **D7/316; D7/507; D7/399; D7/300;
D7/400**

(58) **Field of Classification Search**
USPC **D7/507, 397, 399, 400, 306, 300, 510,
D7/511, 505, 316-319, 313, 608; 99/295**
CPC .. **A47J 31/44; A47J 31/02; A47J 31/16; A47J
31/005; A47J 31/0615; A47J 31/18; A47J
31/20**

See application file for complete search history.

(56) **References Cited**

U.S. PATENT DOCUMENTS

D137,943 S *	5/1944	Shulbohm	16/DIG. 24
D138,561 S *	8/1944	Schlumbohm	D7/312
3,334,574 A *	8/1967	Douglas	A47J 31/02 210/455
3,971,305 A *	7/1976	Daswick	A47J 31/02 99/295
4,986,172 A *	1/1991	Hunnicut, Jr.	A47J 31/02 99/306
D580,696 S *	11/2008	Bodum	D7/316
D598,234 S *	8/2009	Bodum	D7/317
D606,805 S *	12/2009	Neace	D7/399
D611,754 S *	3/2010	Bodum	D7/310
7,858,133 B2 *	12/2010	Neace, Jr.	A47J 31/16 210/219
D739,147 S *	9/2015	Hamilton	D4/134

D742,160 S *	11/2015	Bodum	D7/316
D766,655 S *	9/2016	Neace, Jr.	D7/397
D786,003 S *	5/2017	Bodum	D7/319
D786,605 S *	5/2017	Bodum	D7/316
D787,253 S *	5/2017	Bodum	D7/310
D823,049 S *	7/2018	Neace, Jr.	D7/399
D823,050 S *	7/2018	Neace, Jr.	D7/399
D829,481 S *	10/2018	Bodum	D7/318
D830,758 S *	10/2018	Bodum	D7/316
D846,345 S *	4/2019	Kestenbaum	D7/399
2002/0166453 A1 *	11/2002	Jensen	A47J 31/14 99/322
2010/0089245 A1 *	4/2010	Gerber	A47J 31/02 99/306
2013/0019756 A1 *	1/2013	Coats	A47J 31/56 99/281

(Continued)

Primary Examiner — Marianne N Pandozzi

(57) **CLAIM**

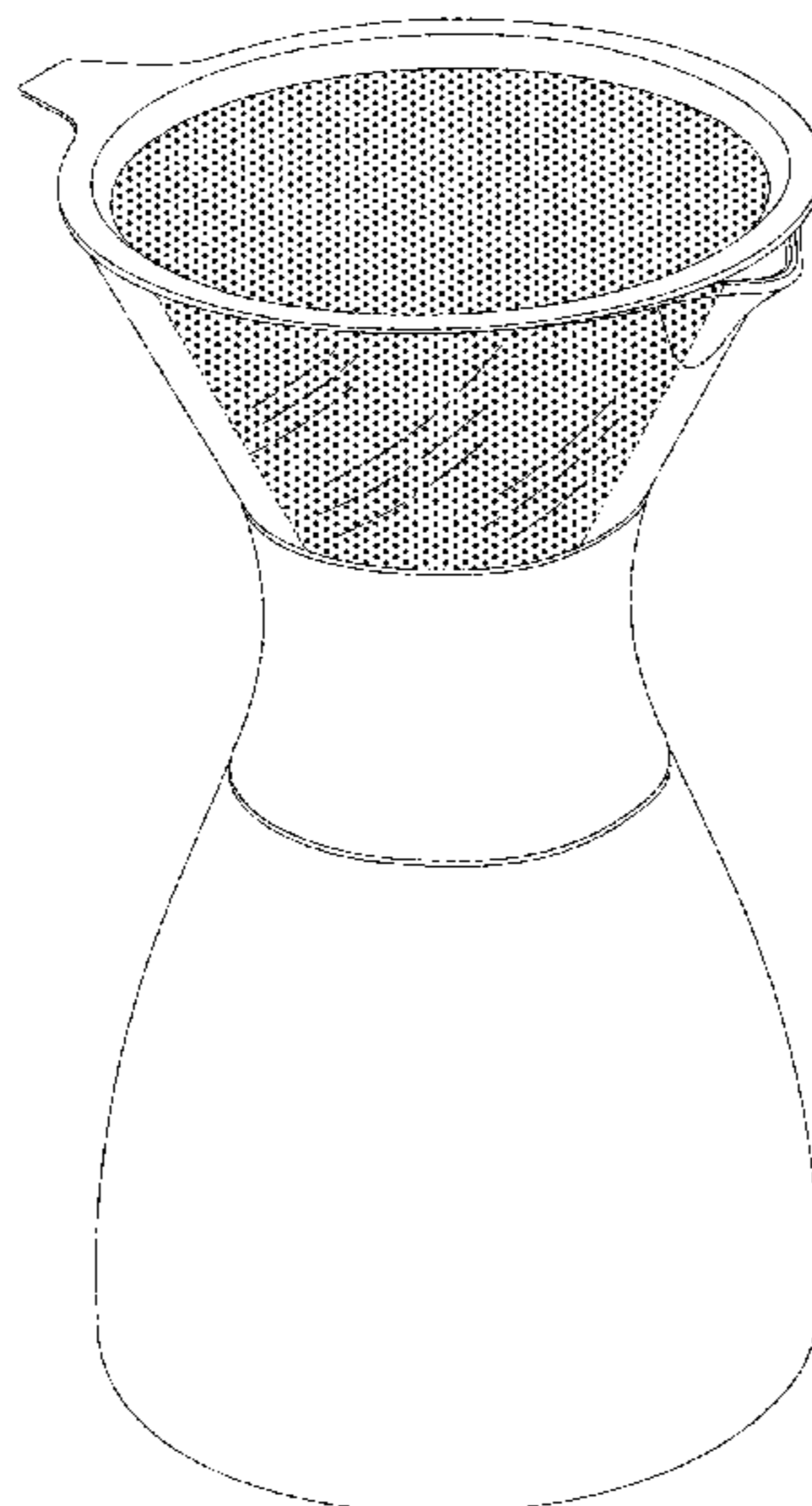
The ornamental design for a combination portable pour-over coffee maker and insulated beverage container, as shown and described.

DESCRIPTION

FIG. 1 is a right side perspective view of the combination portable pour-over coffee maker and insulated beverage container of the present invention;
FIG. 2 is a left side bottom perspective view thereof;
FIG. 3 is a right side view of the present invention;
FIG. 4 is a front view thereof;
FIG. 5 is a top view of thereof;
FIG. 6 is a bottom view thereof; and,
FIG. 7 is an exploded right side view thereof at a reduced scale.

The broken lines in the drawing depict portions of the combination portable pour-over coffee maker and insulated beverage container that form no part of the claimed design.

1 Claim, 7 Drawing Sheets



(56)

References Cited

U.S. PATENT DOCUMENTS

2016/0360918 A1* 12/2016 Chen A23F 3/18
2017/0181565 A1* 6/2017 Nam A47J 31/06

* cited by examiner

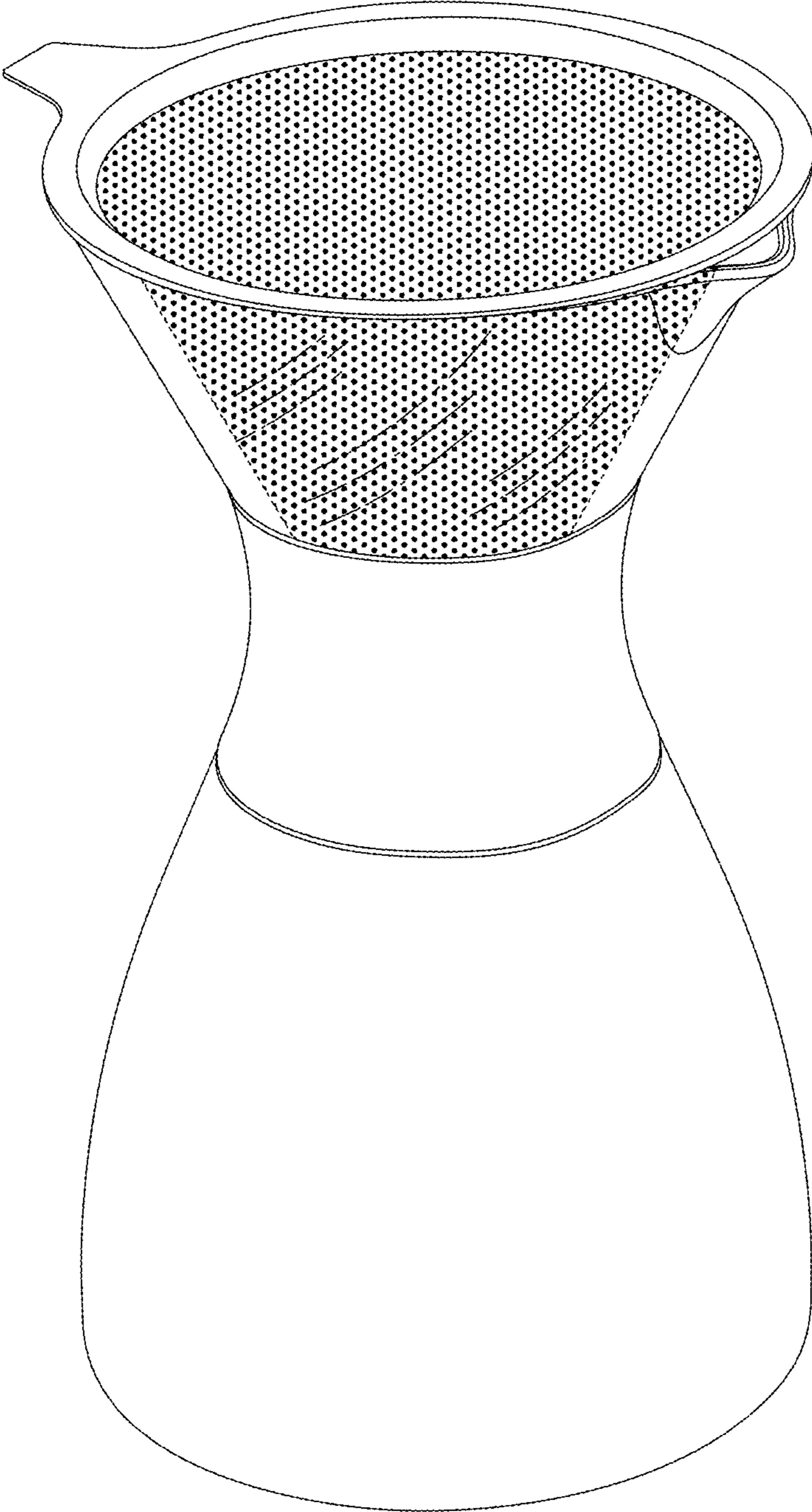


Fig.1

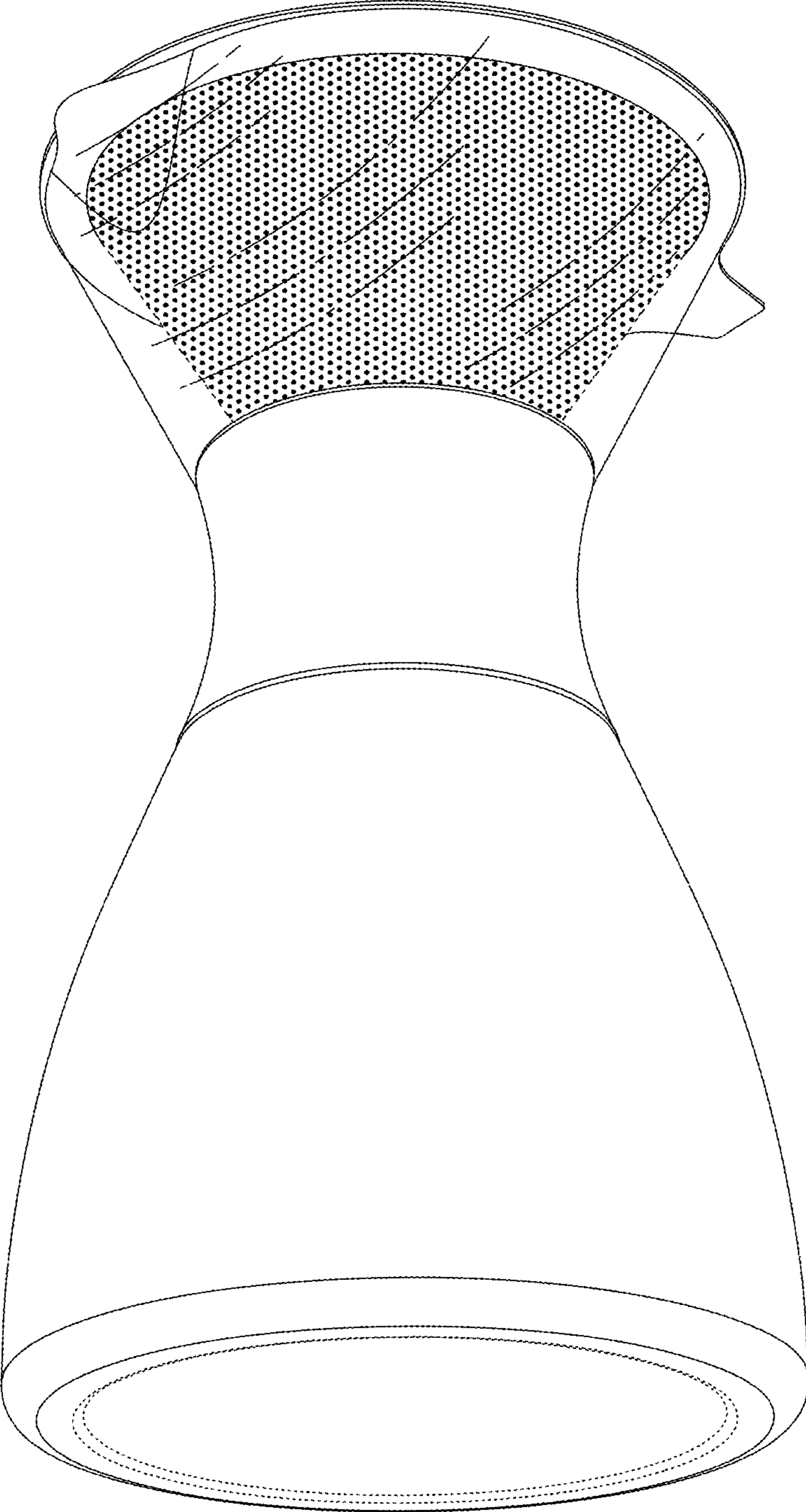


Fig.2

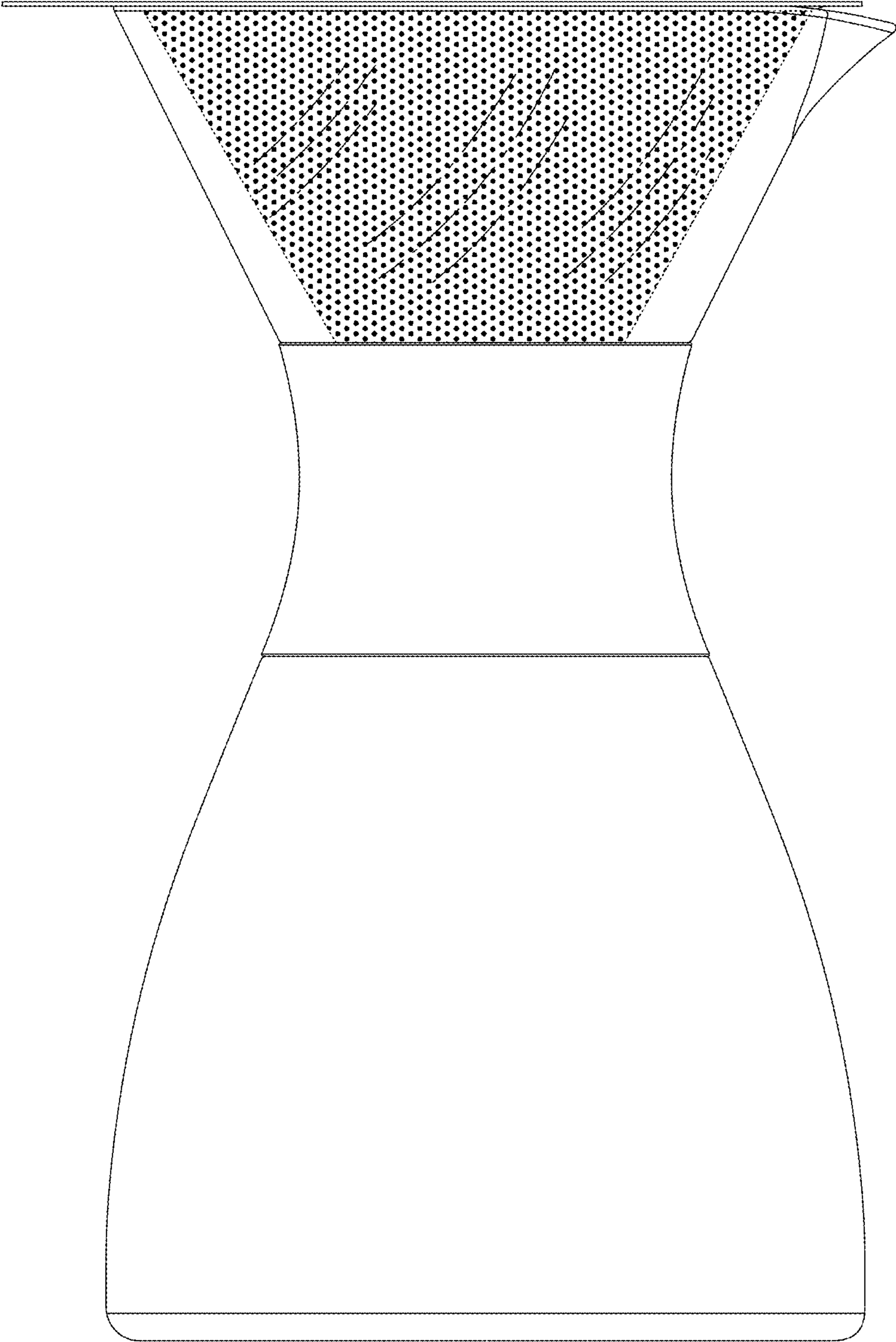


Fig.3

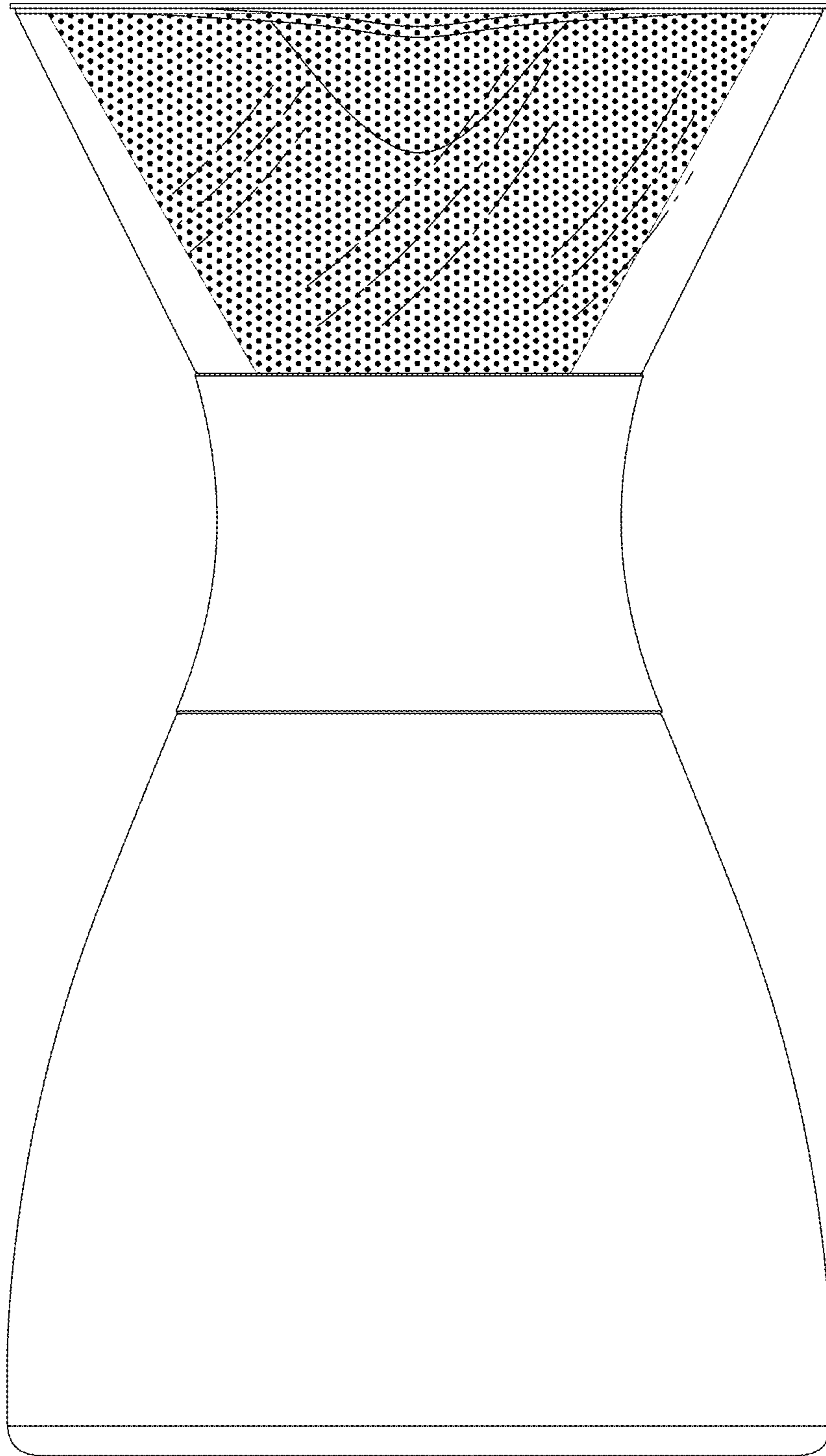


Fig.4

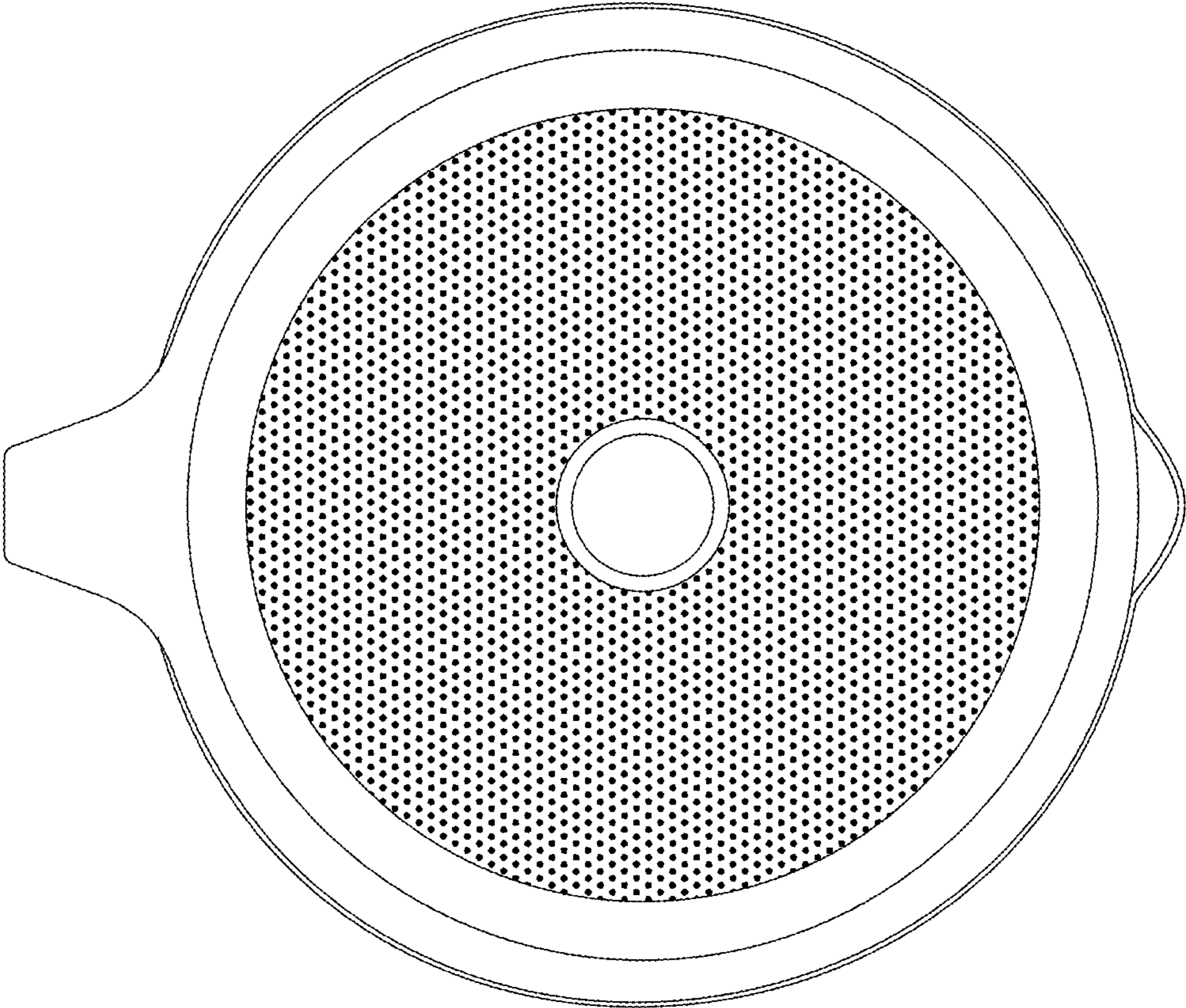


Fig.5

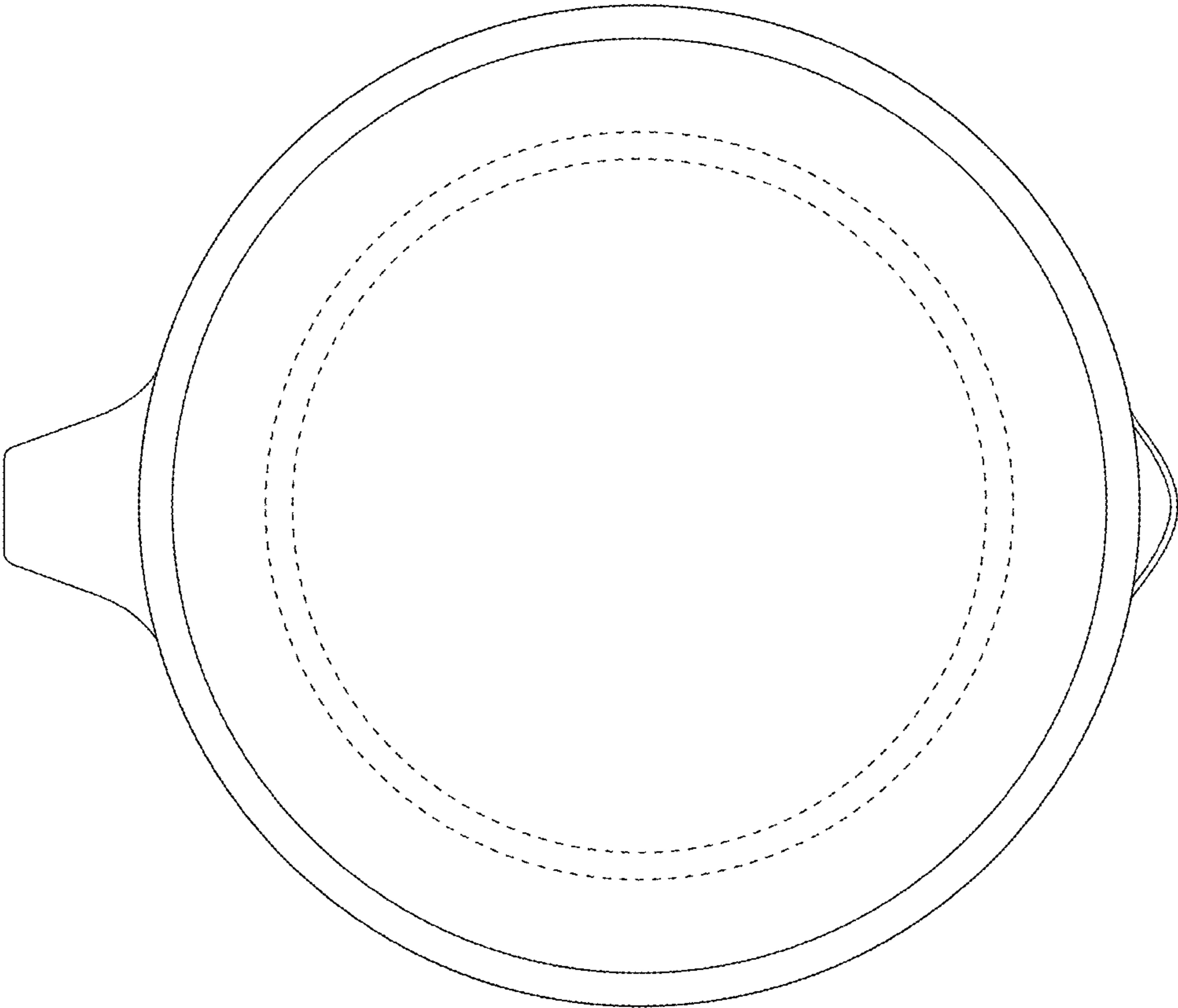


Fig.6

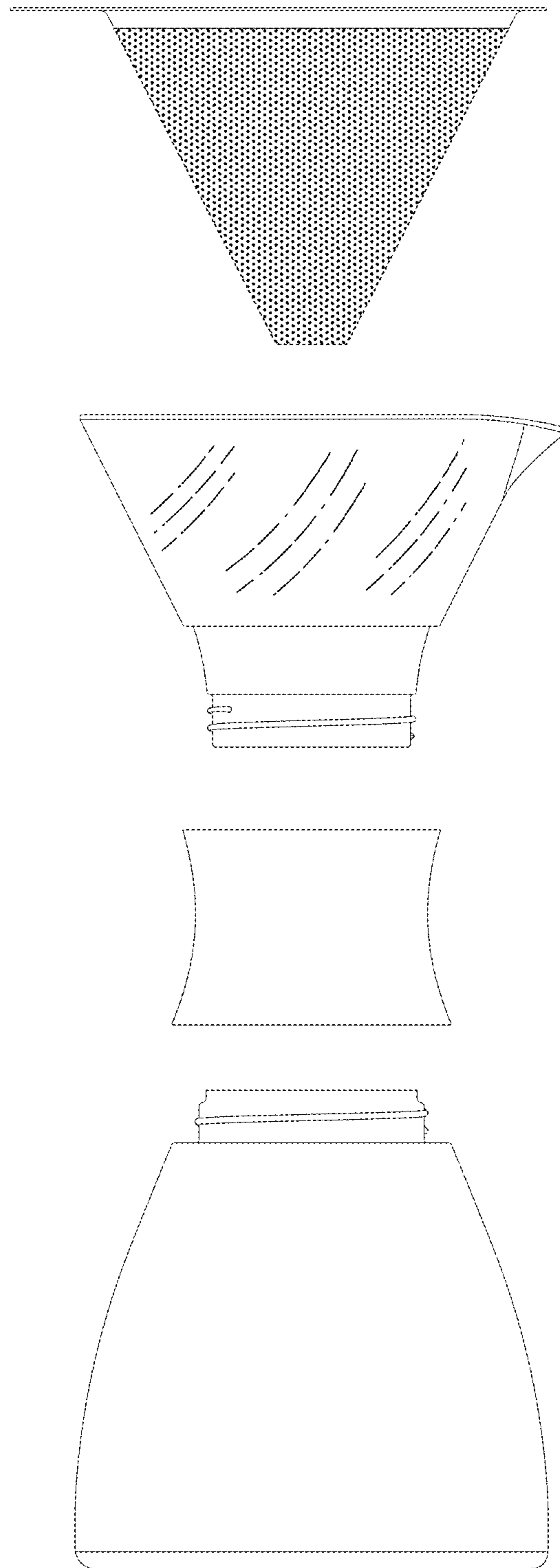


Fig.7