



US00D854868S

(12) **United States Design Patent** (10) **Patent No.:** **US D854,868 S**
Nelson (45) **Date of Patent:** **** Jul. 30, 2019**

(54) **LETTER R CHAIR**

(56) **References Cited**

(71) Applicant: **SENDER'S CONSTRUCTION, LLC,**
Polk City, IA (US)

U.S. PATENT DOCUMENTS

(72) Inventor: **Keith Nelson,** Grimes, IA (US)

3,485,527 A 12/1969 Barghout
D239,345 S 3/1976 Keller
D341,954 S 12/1993 Thompson
D376,465 S 12/1996 Haro
6,135,548 A 10/2000 McGuire
D489,193 S 5/2004 Muller
D498,069 S 11/2004 Kreiss
D502,015 S 2/2005 Hollett

(73) Assignee: **Sender's Construction, LLC,** Polk
City, IA (US)

(**) Term: **15 Years**

(Continued)

(21) Appl. No.: **29/677,264**

(22) Filed: **Jan. 18, 2019**

OTHER PUBLICATIONS

Related U.S. Application Data

Chauhan, Shikha, Hometone "Amazing Alphabet Furniture for Kindergarten of Comfort", Sep. 23, 2009, <http://www.hometone.com/entry/amazing-alphabet-furniture-for-kindergarten-of-comfort> [retrieved from the Internet on Aug. 17, 2012], 8 pages. Aug. 17, 2012.

(63) Continuation of application No. 29/657,202, filed on Jul. 19, 2018, which is a continuation of application No. 29/622,770, filed on Oct. 19, 2017, now Pat. No. Des. 826,612, which is a continuation of application No. 29/599,429, filed on Apr. 3, 2017, now Pat. No. Des. 807,092, which is a continuation of application No. 29/572,875, filed on Aug. 1, 2016, now Pat. No. Des. 786,596, which is a continuation of application No. 29/550,416, filed on Jan. 4, 2016, now Pat. No. Des. 765,452, which is a continuation of application No. 29/531,933, filed on Jun. 30, 2015, now abandoned, which is a continuation of application No. 29/475,661, filed on Dec. 5, 2013, now Pat. No. Des. 735,511, which is a continuation of application No. 29/393,407, filed on Jun. 3, 2011, now Pat. No. Des. 699,993.

(Continued)

Primary Examiner — Kelley A Donnelly

(51) **LOC (11) Cl.** **06-06**

(52) **U.S. Cl.**
USPC **D6/716**

(74) *Attorney, Agent, or Firm* — McKee, Voorhees & Sease, PLC

(58) **Field of Classification Search**
USPC D6/334, 341, 371-375, 381, 491-492,
D6/500-502, 702, 716-716.1
CPC A47C 4/02; A47C 4/03; A47C 7/16; A47C
7/36; A47C 3/14

(57) **CLAIM**

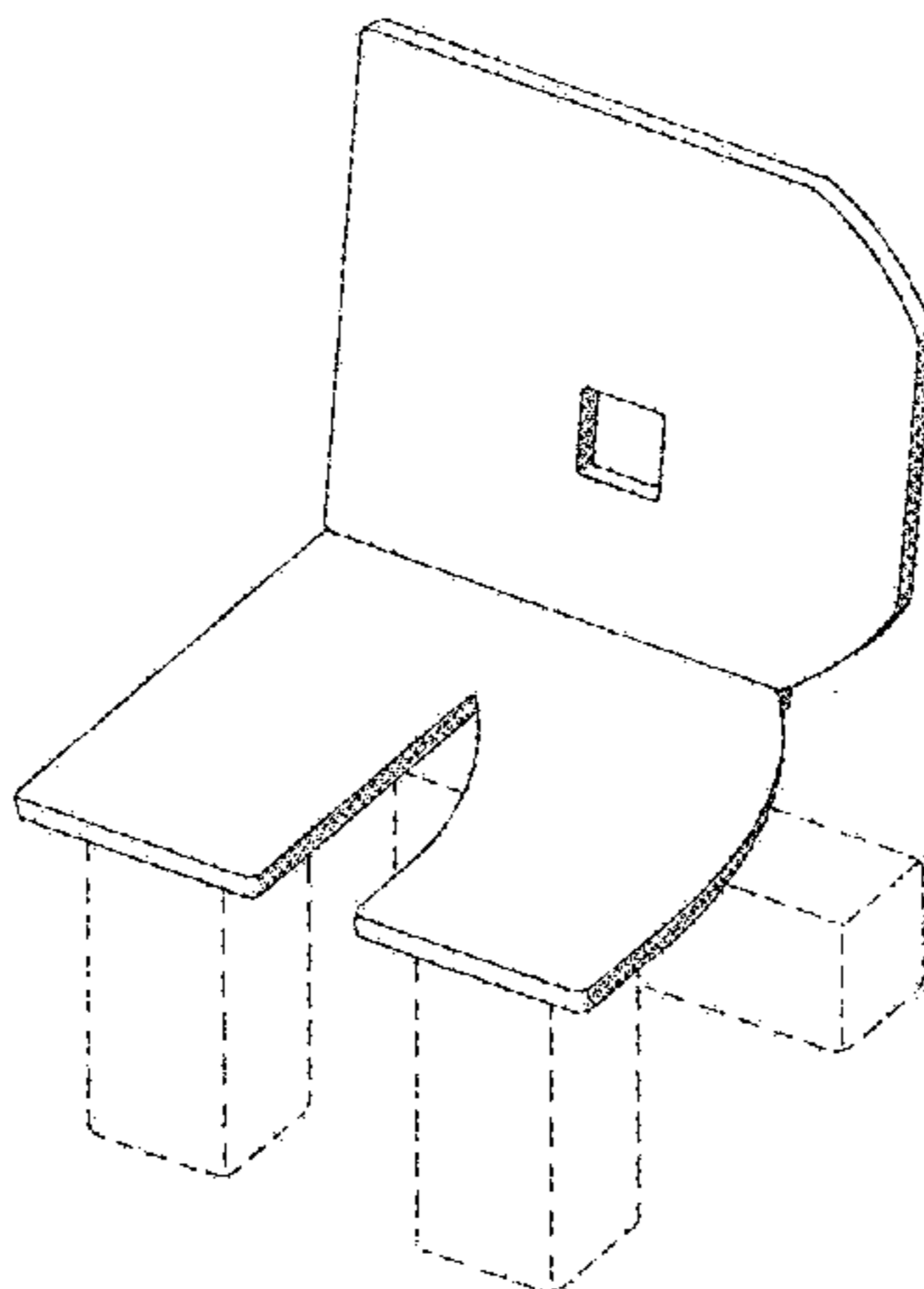
The ornamental design for the letter R chair, as shown and described.

DESCRIPTION

FIG. 1 is a perspective view of the letter "R" chair.
FIG. 2 is a rear view of the letter "R" chair.
FIG. 3 is a front view of the letter "R" chair.
FIG. 4 is a top view of the letter "R" chair.
FIG. 5 is a side view of the letter "R" chair; and,
FIG. 6 is a side view of the letter "R" chair.
The broken lines depict environmental subject matter only and form no part of the claimed design.

See application file for complete search history.

1 Claim, 6 Drawing Sheets



(56)

References Cited

U.S. PATENT DOCUMENTS

D526,545 S 8/2006 Sanderson
 D537,263 S 2/2007 Berry
 D549,970 S 9/2007 Bouroullec
 D555,381 S 11/2007 Swanson
 D568,626 S 5/2008 Gharabegian
 D572,928 S 7/2008 Rittfeldt
 D595,515 S 7/2009 Collette
 D601,357 S 10/2009 Siegel
 D609,489 S 2/2010 Adams
 D638,063 S 5/2011 O'Con
 D646,096 S 10/2011 Langbord
 D653,886 S 2/2012 Lucci
 D656,337 S 3/2012 Townsend
 D668,469 S 10/2012 Siegel
 D672,579 S 12/2012 Vass
 D676,690 S 2/2013 Pheasant
 D697,352 S 1/2014 Skalka
 D699,993 S 2/2014 Nelson
 D708,451 S 7/2014 Gashcy et al.
 D717,059 S * 11/2014 Kim D6/375
 D720,862 S 1/2015 McDonald, Jr.
 D731,802 S 6/2015 McKenna
 D735,511 S 8/2015 Nelson
 D738,657 S 9/2015 Robins
 D742,534 S 11/2015 Bains
 D743,712 S 11/2015 Behar et al.
 D747,893 S 1/2016 Nikolajsen
 D749,868 S 2/2016 Nikolajsen
 D752,893 S 4/2016 Behar et al.
 D761,606 S 7/2016 Piretti
 D765,452 S 9/2016 Nelson
 D769,632 S 10/2016 Bullejos
 D786,596 S 5/2017 Nelson
 D807,092 S 1/2018 Nelson

D811,792 S 3/2018 Guck
 D812,390 S 3/2018 Liu
 D813,526 S 3/2018 Lee
 D815,445 S * 4/2018 Longo D6/362
 D819,351 S * 6/2018 Peterson D6/368
 D821,793 S * 7/2018 Ludwig D6/716
 D826,612 S 8/2018 Nelson
 D834,867 S * 12/2018 Kolberg D6/716
 D840,705 S * 2/2019 Grabowski D6/375
 D840,706 S * 2/2019 Grabowski D6/375
 2011/0181085 A1 7/2011 Pfeifer et al.

OTHER PUBLICATIONS

Ohri, Priyanka, Hometome "Amazing with alphabet letters for unusual home decor", Nov. 19, 2009, <http://www.hometone.com/entry/playing-with-alphabet-letters-for-unusual-home-decor> [retrieved from the Internet on Aug. 17, 2012], 13 pages. Aug. 17, 2012.
 Roeland Otten "ABCChairs (2010)", <http://www.roelandotten.com> [retrieved from the Internet on Aug. 17, 2012], 3 pages. Aug. 17, 2012.
 Paul, Rebecca, Inhabitat, "Hair Chair: A Furry Alphabet Letter Chair Made from Corrugated Cardboard" May 19, 2011, <http://inhabitat.com/hair-chair-a-funny-alphabet-letter-chair-made-from-corrugated-cardboard>, [retrieved from the Internet on Aug. 17, 2012], 4 pages. Aug. 17, 2012.
 Designboom, "sascha grewe: a-z stools", <http://www.designboom.com/weblog/cat/8/view/10739/sascha-grewe-a-z-stools.html>, [retrieved from the Internet on Aug. 17, 2012], 7 pages. Aug. 17, 2012.
 Tambino, Tambino furnishing and accessories for kids, <http://www.tambino.com>, [retrieved from the Internet on Aug. 17, 2012], 3 pages. Aug. 17, 2012.
 Tabisso Design Furniture, <http://www.tabisso.com/home.html>, [retrieved from the Internet on Aug. 17, 2012], 1 page. Aug. 17, 2012.

* cited by examiner

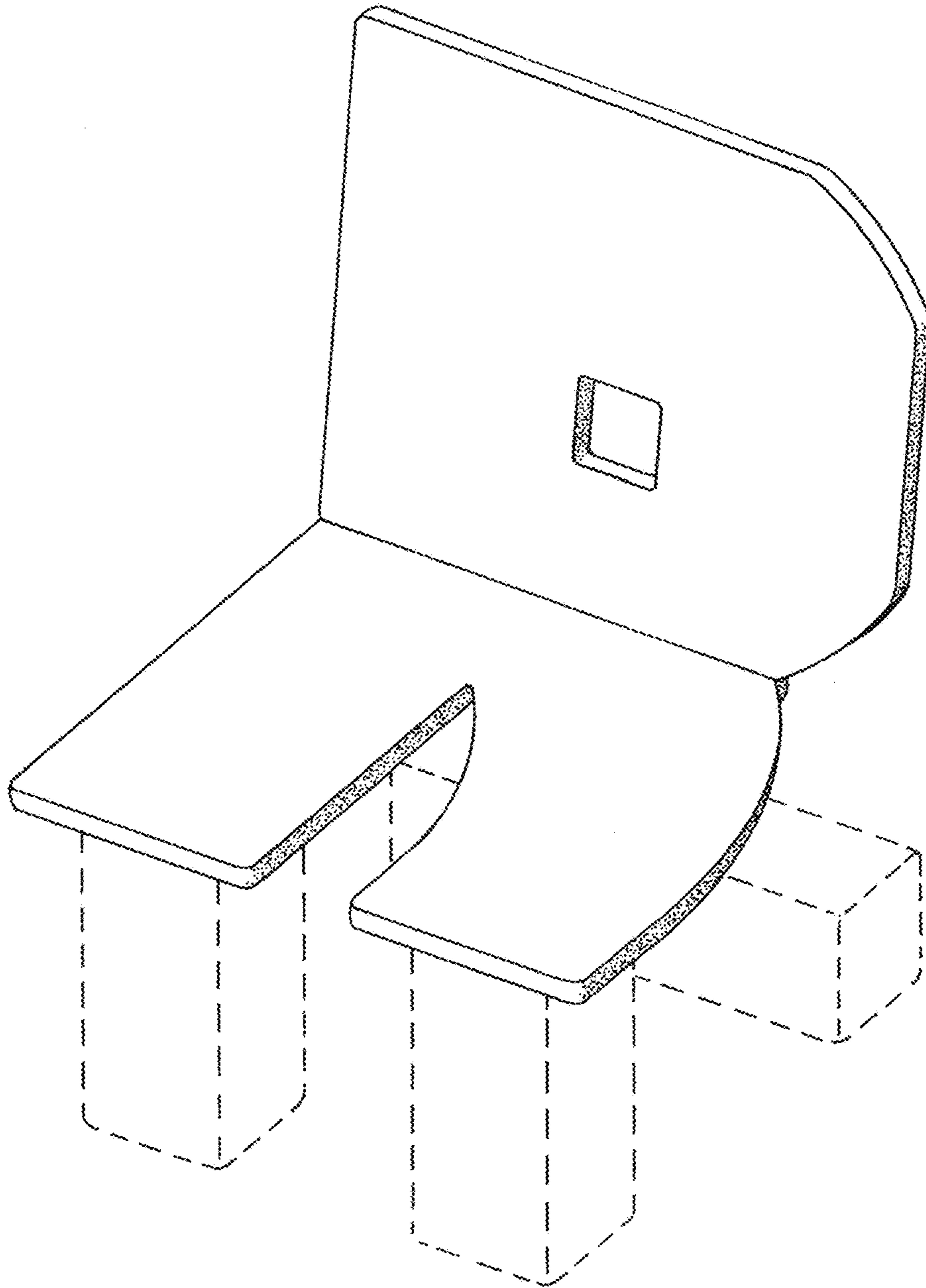


FIG. 1

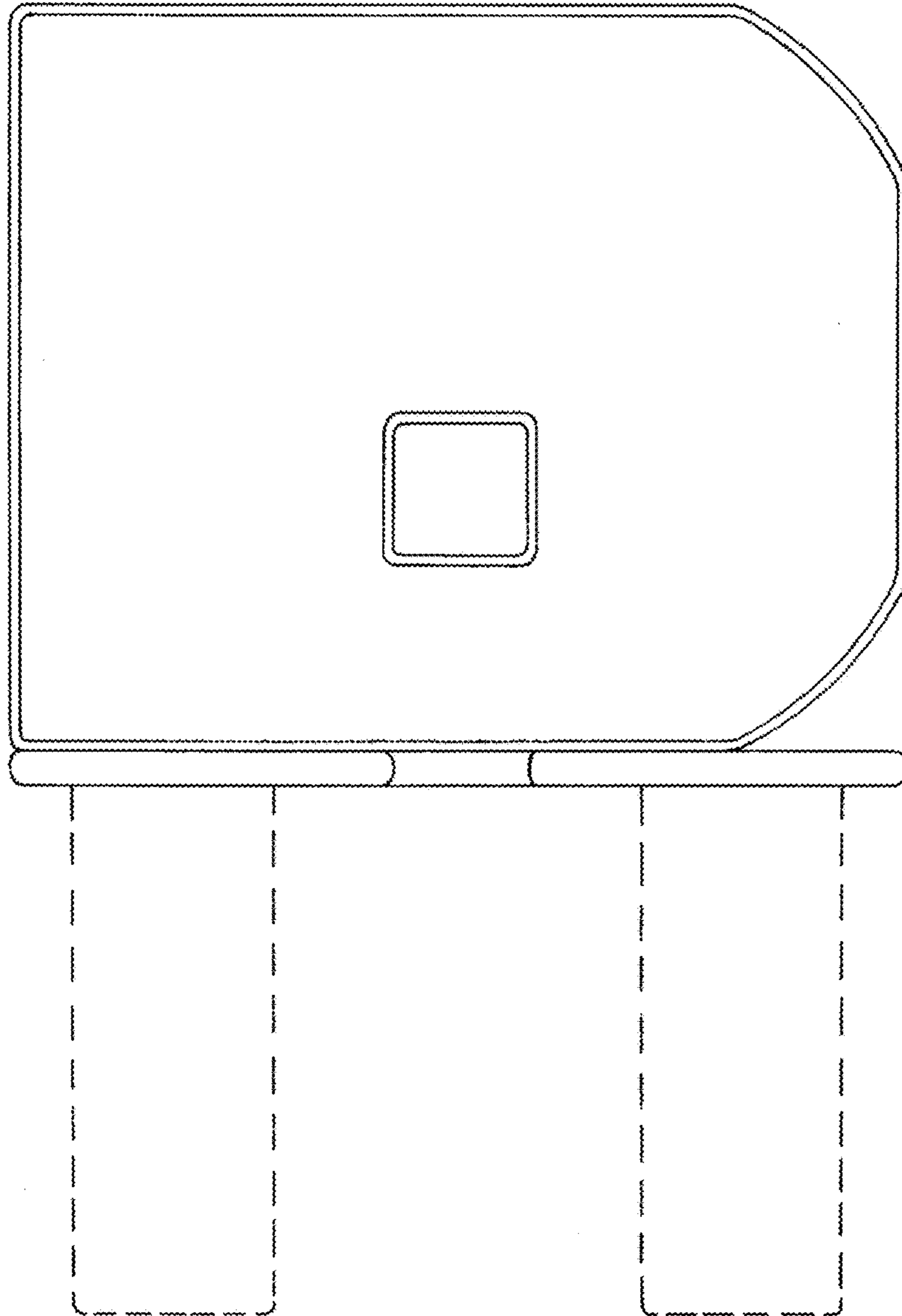


FIG. 2

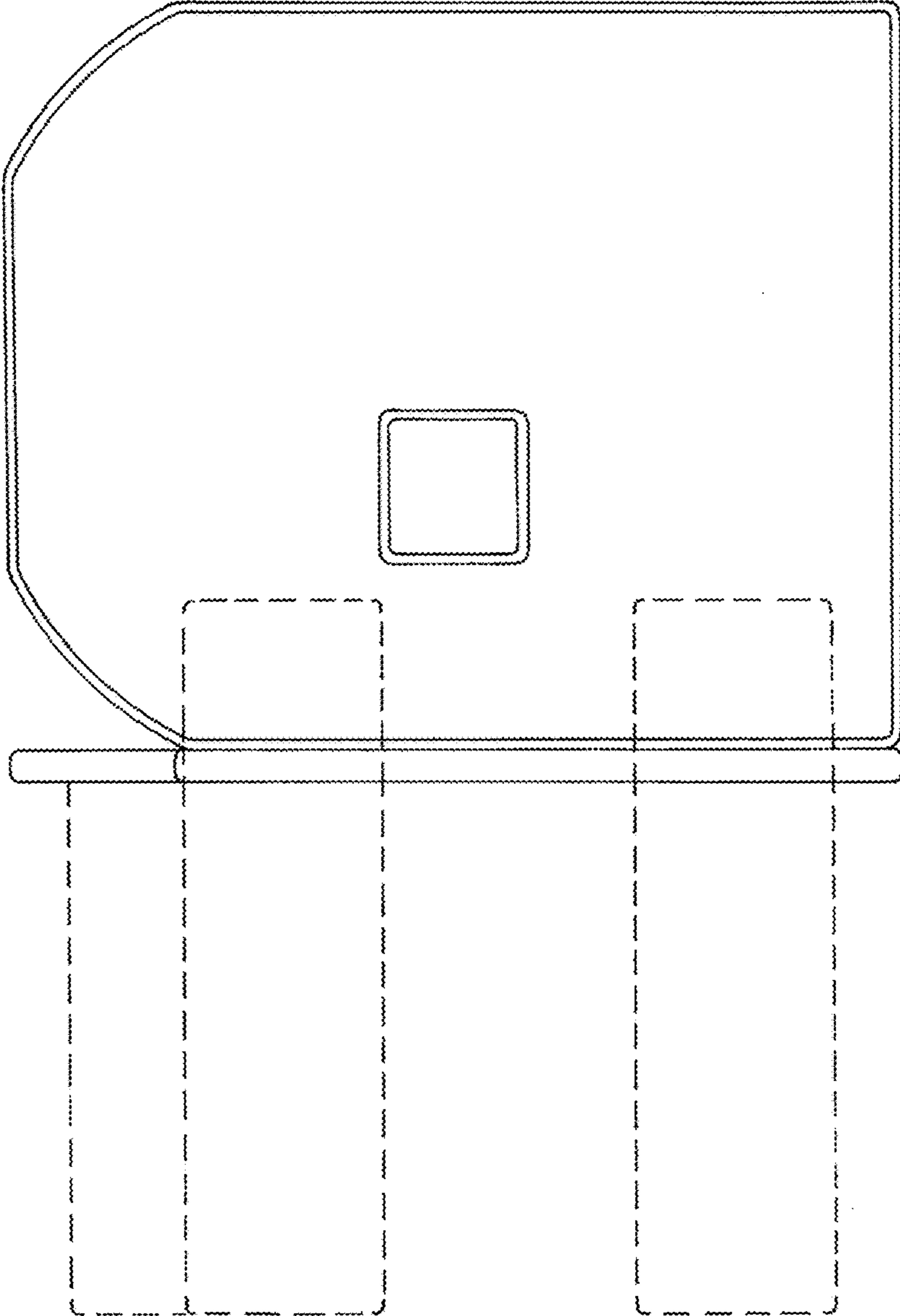


FIG. 3

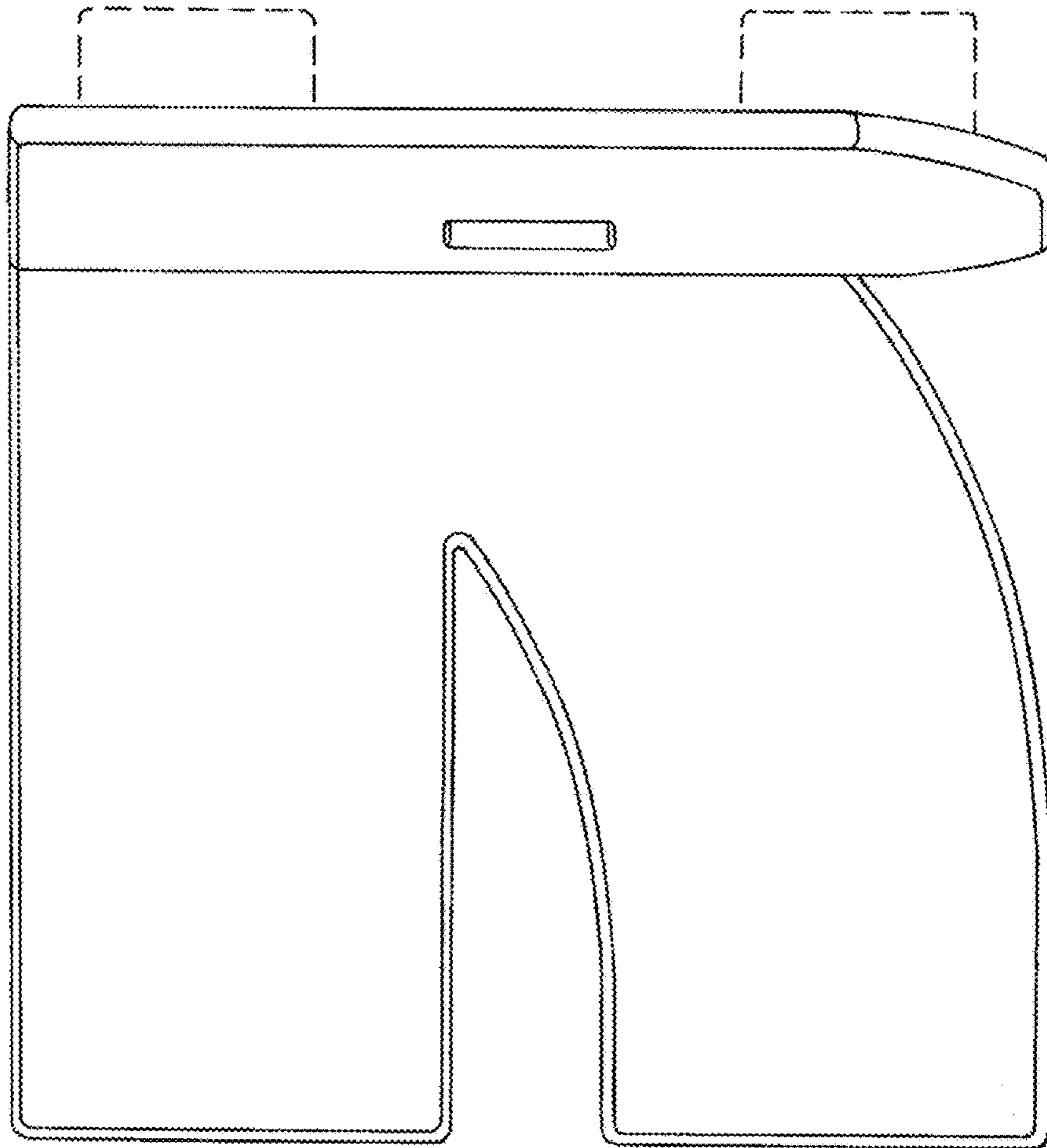


FIG. 4

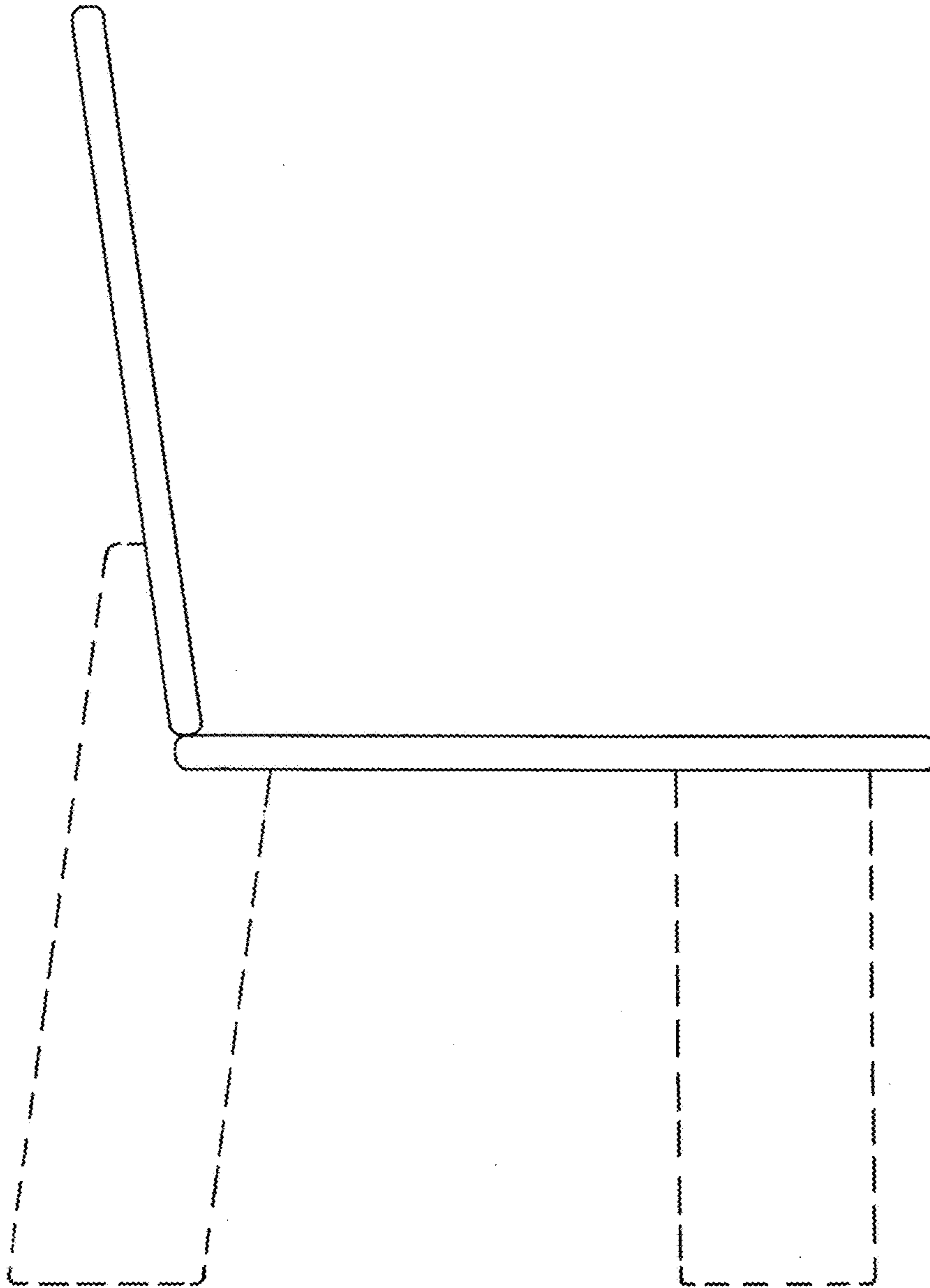


FIG. 5

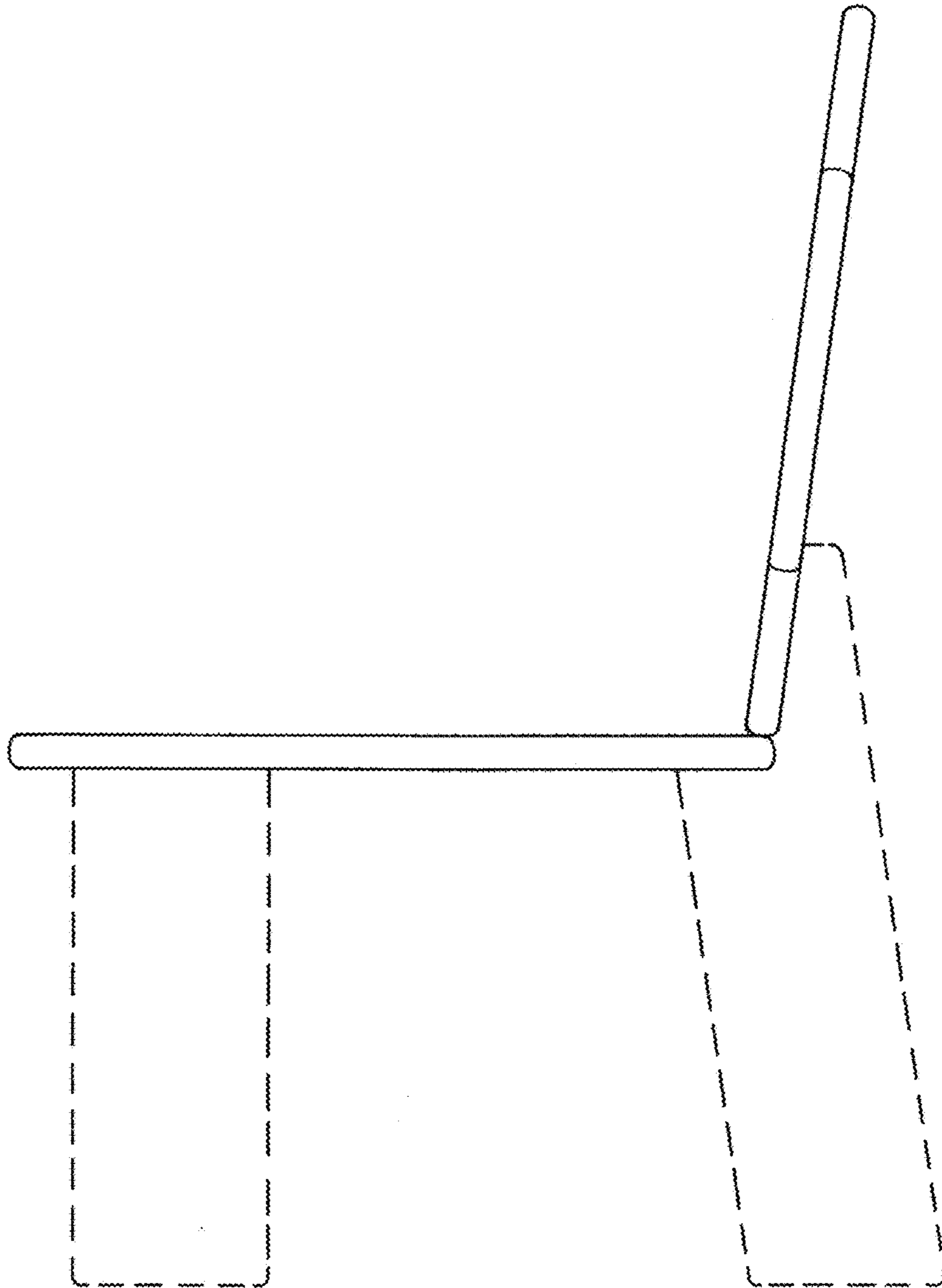


FIG. 6