



US00D854867S

(12) **United States Design Patent**  
**Koerth**

(10) **Patent No.:** **US D854,867 S**

(45) **Date of Patent:** **\*\* Jul. 30, 2019**

(54) **TABLE TOP FOR CONNECTING TO A SUPPORT TEE**

(71) Applicant: **LACKS HOME PRODUCTS,**  
Kentwood, MI (US)

(72) Inventor: **Aaron Koerth,** Hudsonville, MI (US)

(73) Assignee: **LACKS HOME PRODUCTS,**  
Kentwood, MI (US)

(\*\*) Term: **15 Years**

(21) Appl. No.: **29/613,633**

(22) Filed: **Aug. 11, 2017**

(51) **LOC (11) Cl.** ..... **06-06**

(52) **U.S. Cl.**  
USPC ..... **D6/707.2**

(58) **Field of Classification Search**  
USPC ..... D6/641, 644, 647, 649, 650, 651.1,  
D6/651.2, 655, 656, 656.16, 658, 691,  
D6/692, 692.1-692.6, 695, 695.4, 697.1,  
D6/698, 699, 699.4, 702, 703, 705.1, 707,  
D6/707.2, 707.22

CPC .. A47B 37/00; A47B 3/00; A47B 1/00; A47B  
3/06; A47B 3/08; A47B 7/00; A47B  
21/00; A47B 21/06; A47B 23/00; A47B  
25/00; A47B 13/08; A47B 3/083; A47B  
3/14; A47B 41/00; A47B 17/00; A47B  
3/0809; A47B 3/0812; A47B 2013/026;  
A47B 2200/03; A47B 2200/00; A47B  
2200/0079; A47B 2003/0821; A47C  
3/045

See application file for complete search history.

(56) **References Cited**

**U.S. PATENT DOCUMENTS**

463,468 A \* 11/1891 Truman ..... A63F 7/044  
273/115  
D211,102 S \* 5/1968 Kindelan ..... D21/341  
D279,444 S \* 7/1985 McDonald ..... D6/692.3

D353,406 S \* 12/1994 Roberts ..... D21/346  
D609,511 S \* 2/2010 Ladner ..... D6/707.2  
D625,960 S \* 10/2010 Lipfert ..... D7/553.6  
D642,407 S \* 8/2011 Pirkl ..... D6/707.2  
D653,084 S \* 1/2012 Borghini ..... D7/553.8  
D656,345 S \* 3/2012 Grimaldi ..... D6/686  
D659,766 S \* 5/2012 Fuchs ..... D21/337  
D708,462 S \* 7/2014 Nye ..... D6/707.2

(Continued)

**OTHER PUBLICATIONS**

FootStake, posted at Facebook.com, posted on Mar. 15, 2018, site visited Oct. 22, 2018. online, available from internet: [https://www.facebook.com/FootStake/photos/a.805182746298566/1012402112243294/?type=3&theater.\\*](https://www.facebook.com/FootStake/photos/a.805182746298566/1012402112243294/?type=3&theater.*)

*Primary Examiner* — Mary Ann Calabrese

*Assistant Examiner* — Catherine Ho

(74) *Attorney, Agent, or Firm* — John S. Artz; Dickinson Wright PLLC

(57) **CLAIM**

I claim the ornamental design for a table top for connecting to a support tee, as shown and described.

**DESCRIPTION**

FIG. 1 is a perspective view of a table top for connecting to a support tee, showing my new design in an environment of use;

FIG. 2 is a perspective view of the table top for connecting to a support tee, isolated for clarity of disclosure;

FIG. 3 is a front view thereof;

FIG. 4 is a left side view thereof;

FIG. 5 is a back view thereof;

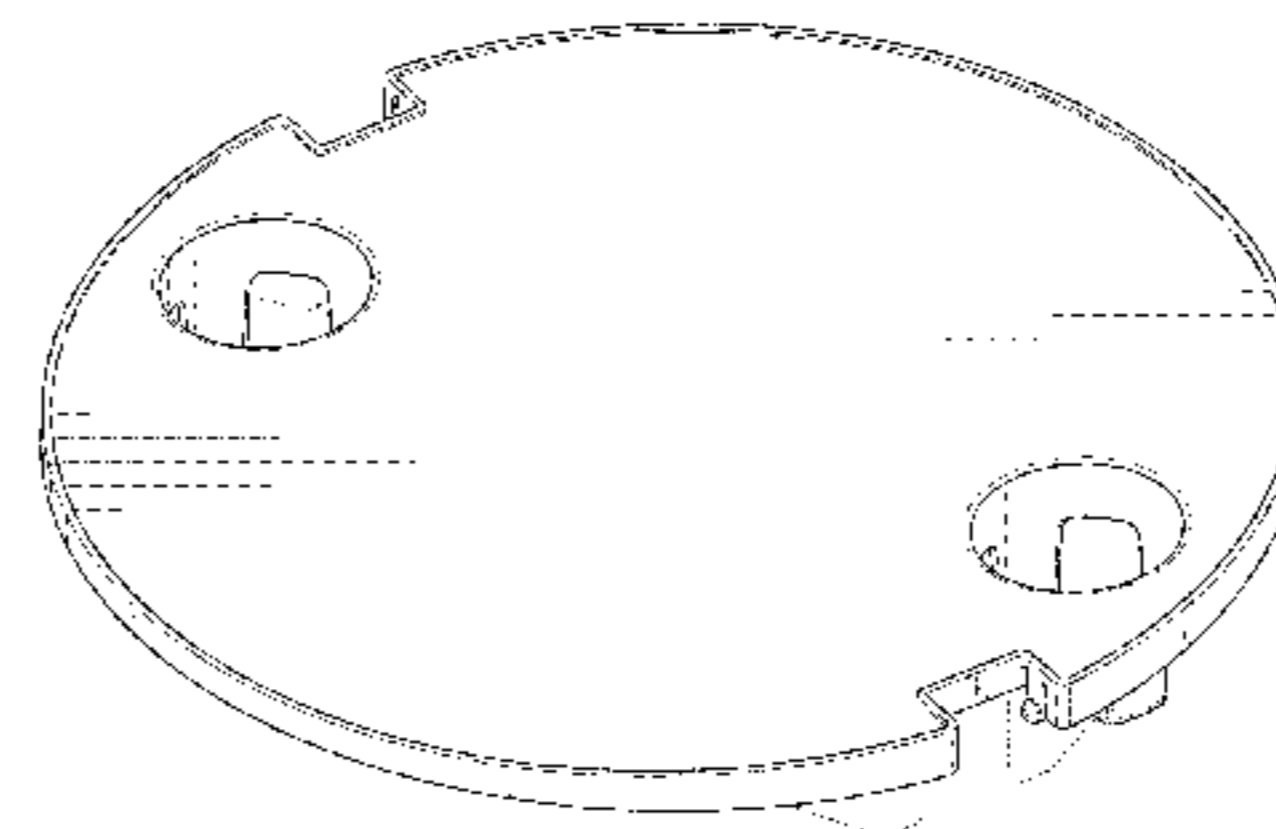
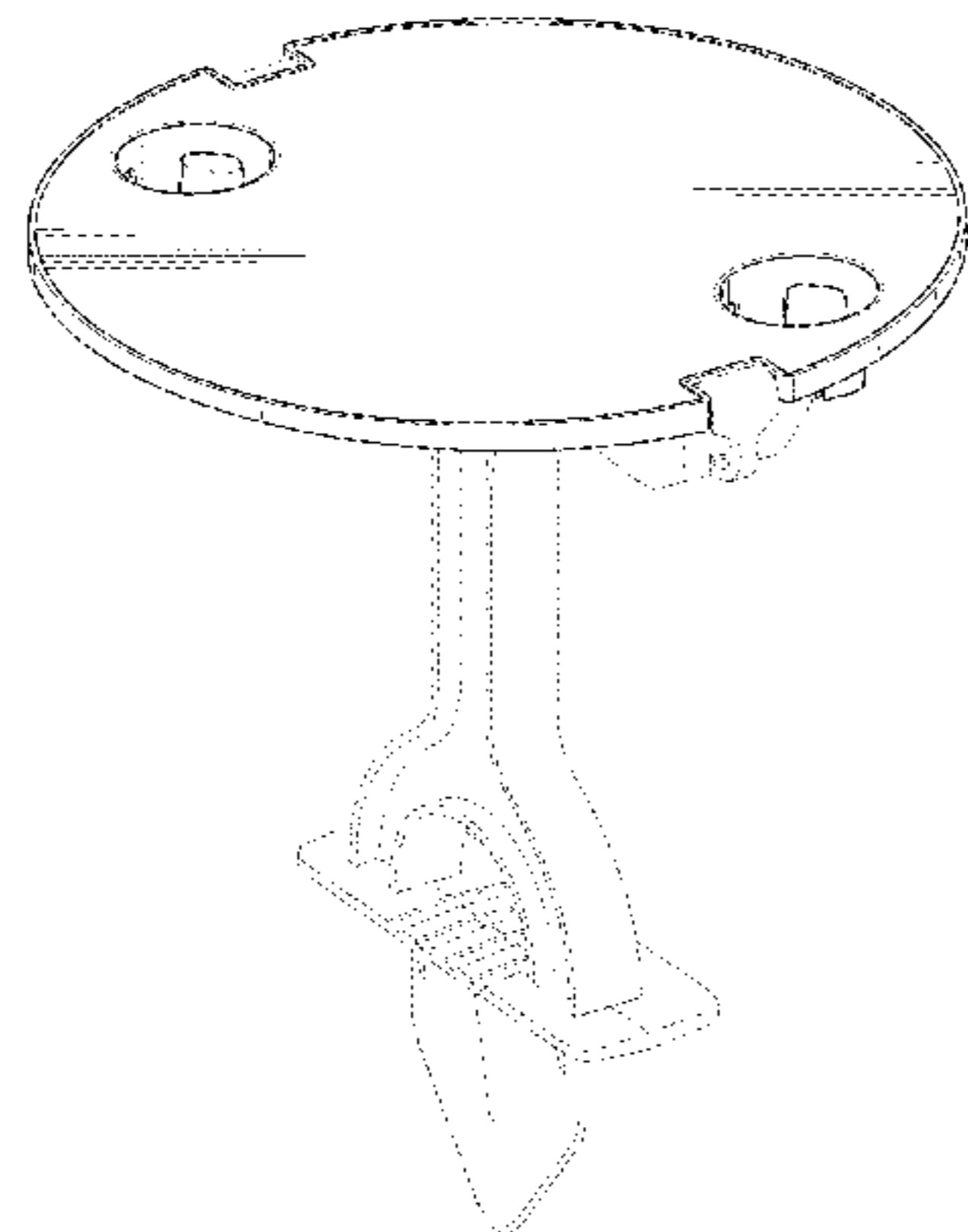
FIG. 6 is a right side view thereof;

FIG. 7 is a top view thereof; and,

FIG. 8 is a bottom view thereof.

The broken line portion of the figure drawings is included to show environment and portions of the article that form no part of the claimed design.

**1 Claim, 6 Drawing Sheets**



(56)

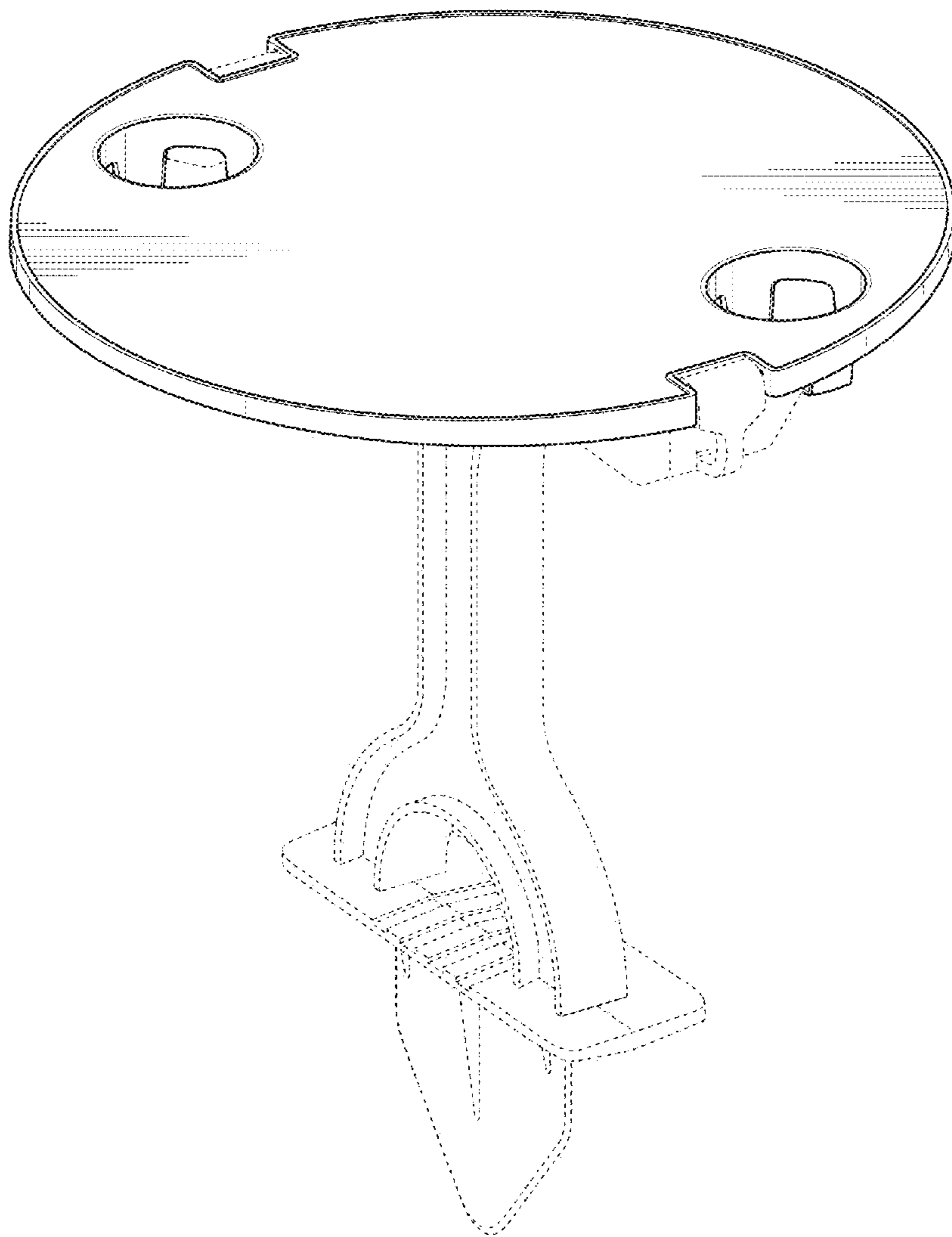
**References Cited**

U.S. PATENT DOCUMENTS

D725,949 S \* 4/2015 Berkowitz ..... D6/692.4  
D769,676 S \* 10/2016 Alleyne ..... D7/553.8

\* cited by examiner

FIG. 1



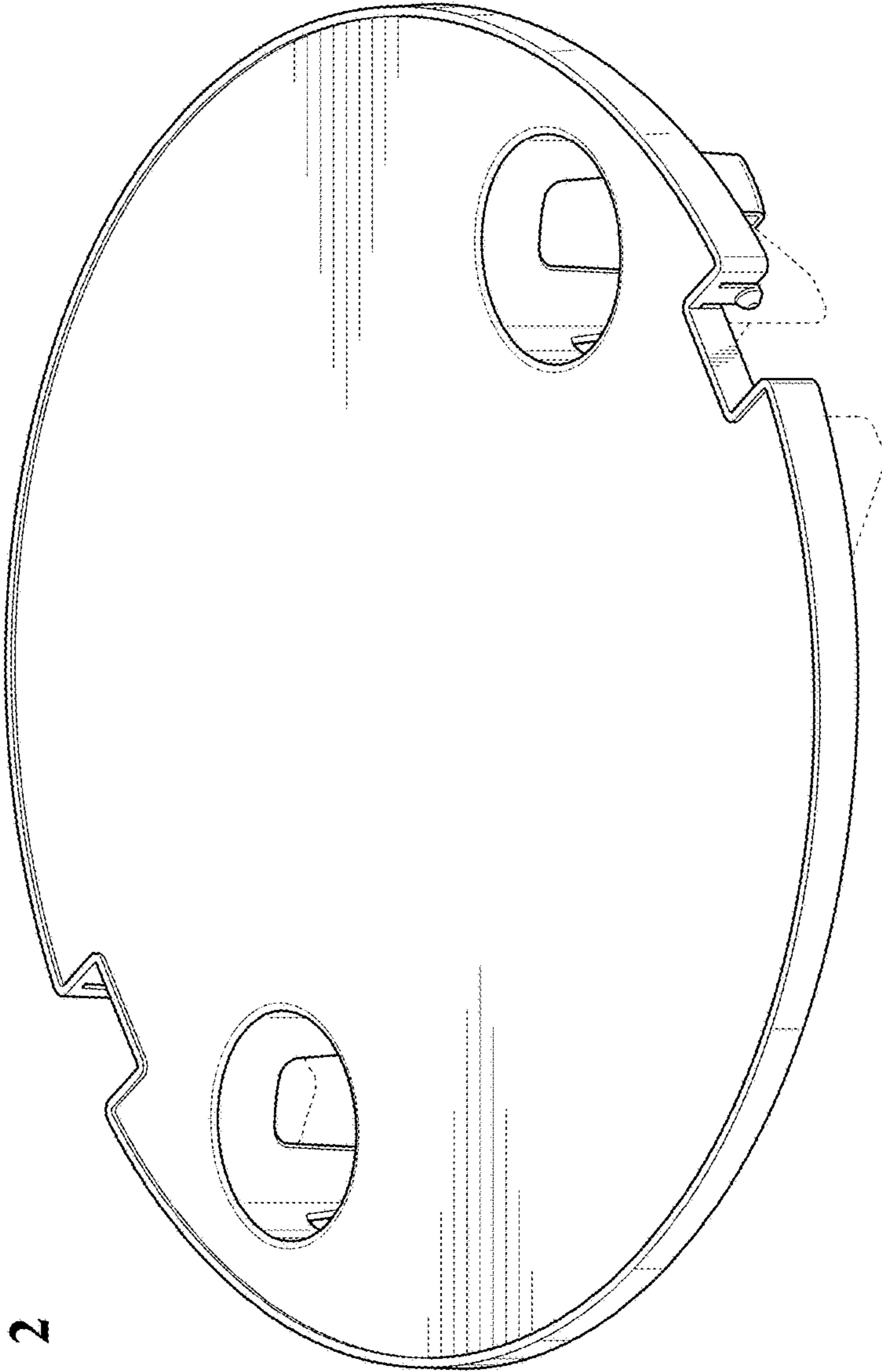
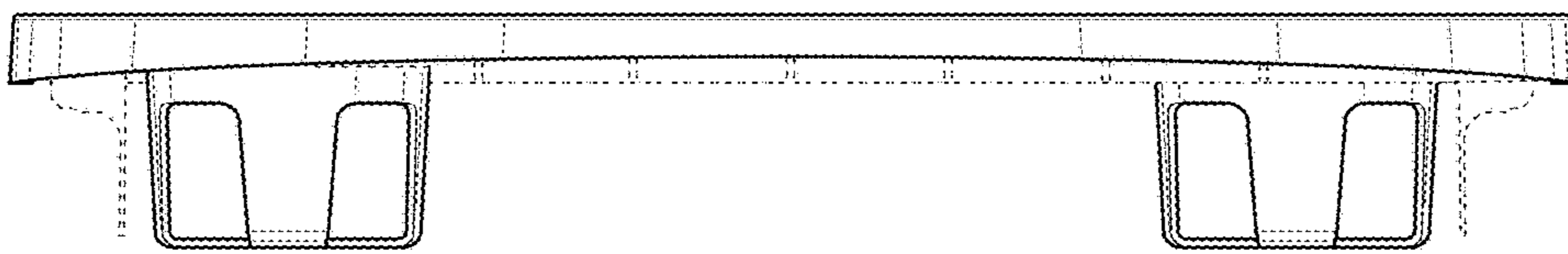
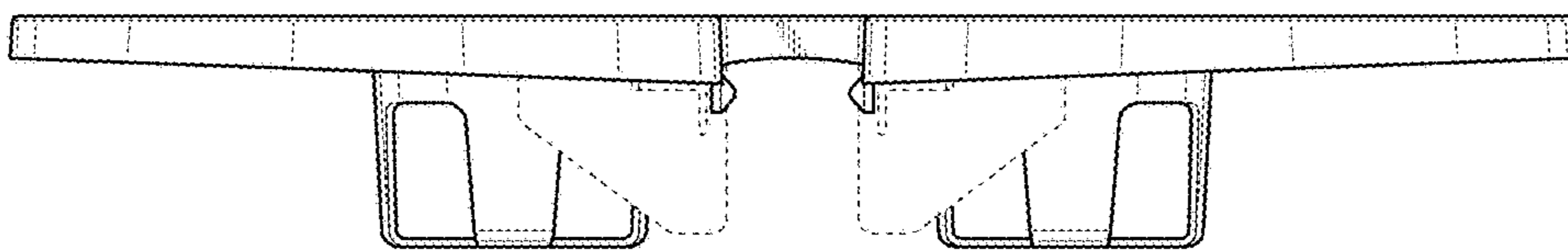


FIG. 2

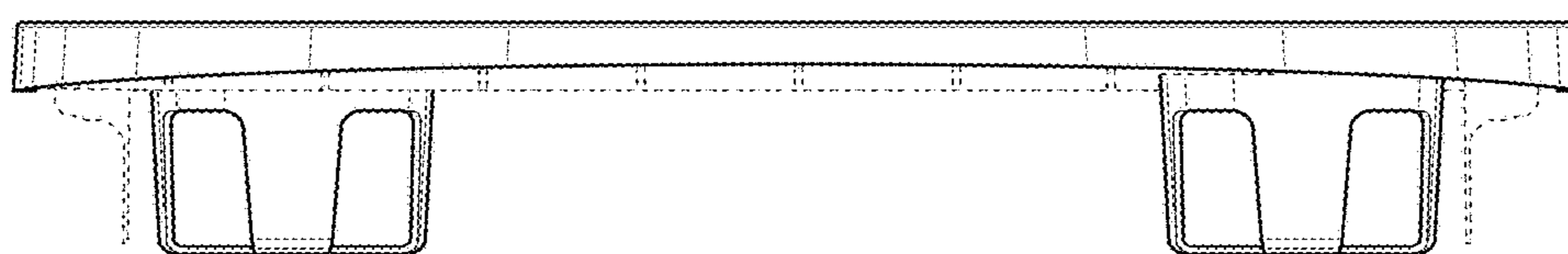
**FIG. 3**



**FIG. 4**



**FIG. 5**



**FIG. 6**

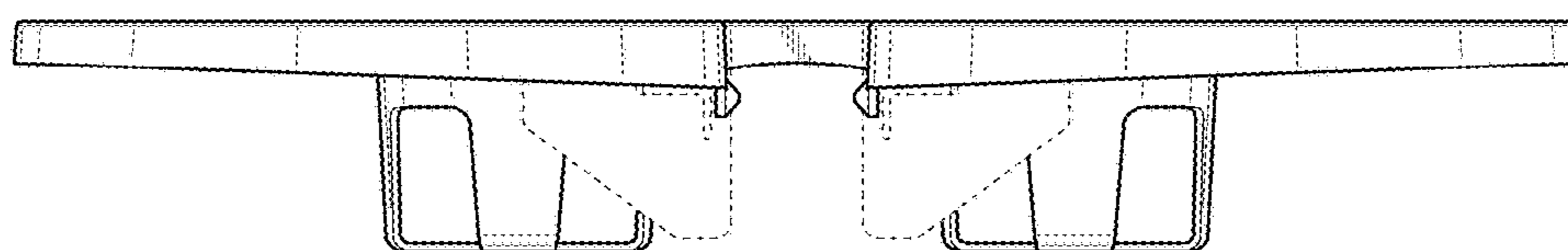


FIG. 7

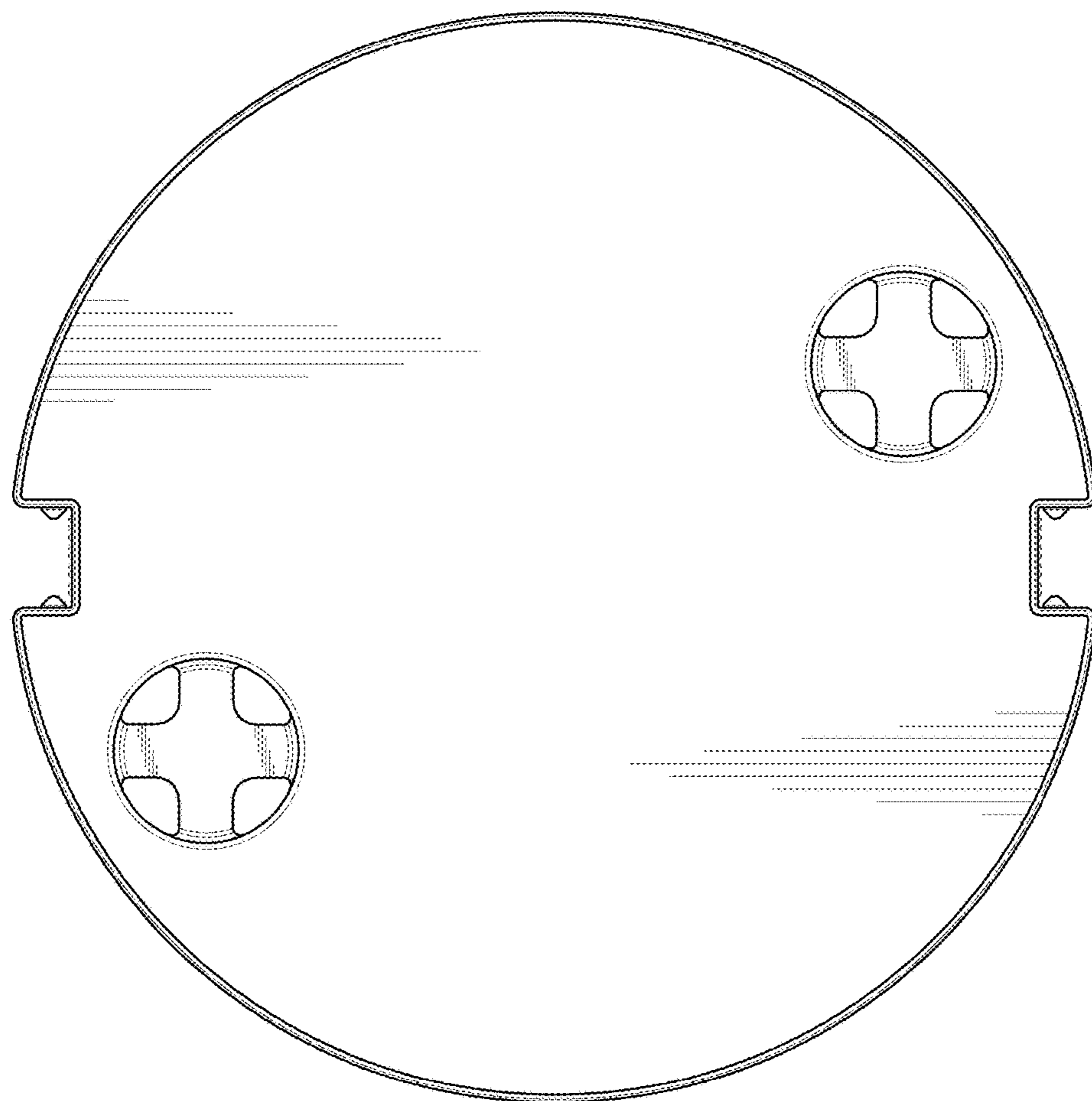


FIG. 8

