



US00D854866S

(12) **United States Design Patent** (10) **Patent No.:** **US D854,866 S**
Bacallao (45) **Date of Patent:** **** Jul. 30, 2019**

(54) **BAGGING APPARATUS**
(71) Applicant: **Walmart Apollo, LLC**, Bentonville, AZ (US)

2012/0061150 A1 3/2012 Coulombe et al.
2017/0217621 A1* 8/2017 Robinson B65B 67/1233
2017/0280900 A1* 10/2017 Bacallao A47F 9/042
(Continued)

(72) Inventor: **Yurgis Mauro Bacallao**, Centerton, AR (US)

FOREIGN PATENT DOCUMENTS

CA 2714538 A1 3/2012

(73) Assignee: **WALMART APOLLO, LLC**, Bentonville, AR (US)

OTHER PUBLICATIONS

(**) Term: **15 Years**

Invitation to Pay Additional Fees in International Patent Application No. PCT/US17/37359, dated Aug. 15, 2017; 2 pages.

(21) Appl. No.: **29/567,968**

(Continued)

(22) Filed: **Jun. 14, 2016**

Primary Examiner — Mary Ann Calabrese

(51) **LOC (11) Cl.** **06-03**

(74) *Attorney, Agent, or Firm* — Schmeiser, Olsen & Watts LLP

(52) **U.S. Cl.**

USPC **D6/699**

(58) **Field of Classification Search**

USPC D6/698, 699, 699.1–699.4

CPC A47F 3/0413; A47F 3/0479; A47F 9/00;

A47F 9/005; A47F 9/02; A47F 9/04;

A47F 9/042; A47F 9/043; A47F 9/047;

A47F 9/048; A47F 2009/041

See application file for complete search history.

(57) **CLAIM**

An ornamental design for a bagging apparatus, as shown and described.

DESCRIPTION

FIG. 1 is a front perspective view of a bagging apparatus; FIG. 2 is a rear perspective view of the bagging apparatus of FIG. 1;

FIG. 3 is a side perspective view of the bagging apparatus of FIG. 1;

FIG. 4 is a top view of the bagging apparatus of FIG. 1;

FIG. 5 is a bottom view of the bagging apparatus of FIG. 1;

FIG. 6 is a front view of the bagging apparatus of FIG. 1;

FIG. 7 is a left side view of the bagging apparatus of FIG. 1; and,

FIG. 8 is a right side view of the bagging apparatus of FIG. 1.

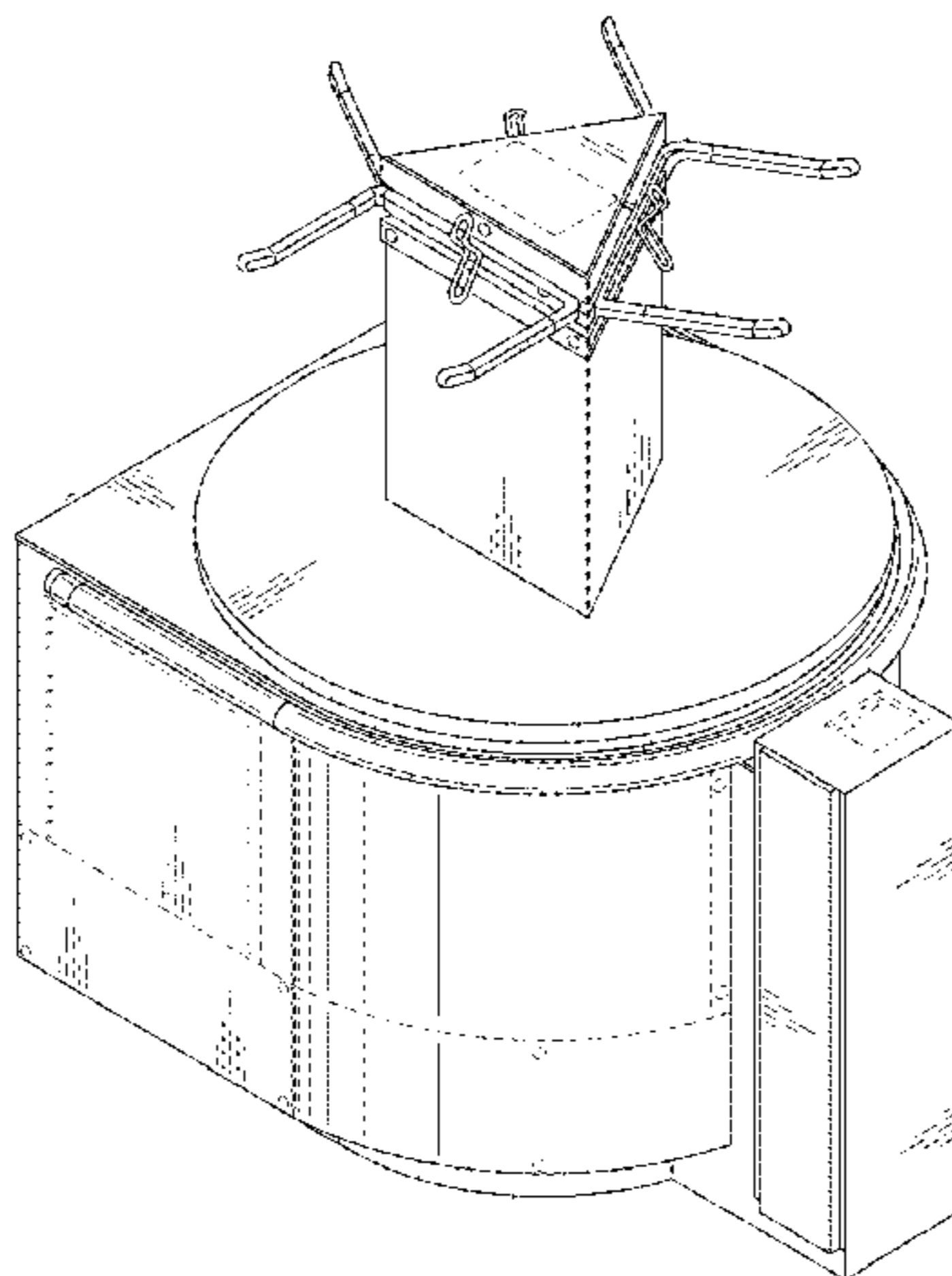
In the drawings, the broken lines illustrate portions of the bagging apparatus which form no part of the claimed design.

(56) **References Cited**

U.S. PATENT DOCUMENTS

4,703,151	A	10/1987	Sakamoto
2,884,094	A	4/1989	Roy
5,131,499	A	7/1992	Hoar
5,816,419	A	10/1998	Lamson
6,550,583	B1	4/2003	Brenhouse
6,793,043	B2	9/2004	Nguyen
7,114,650	B2	10/2006	Sherrod
7,516,820	B1	4/2009	Cox et al.
7,578,440	B2	8/2009	Ulrich et al.
7,866,546	B1	1/2011	Vance
2003/0141367	A1	7/2003	Lucera et al.
2004/0041021	A1	3/2004	Nugent, Jr.
2005/0114216	A1	5/2005	Lantz
2011/0266092	A1	11/2011	Marquis et al.

1 Claim, 8 Drawing Sheets



(56)

References Cited

U.S. PATENT DOCUMENTS

2017/0354274 A1* 12/2017 Bacallao A47F 9/042
2017/0355531 A1* 12/2017 Bacallao B65G 43/10
2018/0049565 A1* 2/2018 Bacallao A47F 9/04
2018/0065770 A1* 3/2018 Bacallao A47F 5/01
2018/0170597 A1* 6/2018 Bacallao A45F 5/1046

OTHER PUBLICATIONS

“Grocery checkstands catalog”, PanOston.com, 2011, revised Oct. 2012; 47 pages.
“Pull-Out Trash Can Cabinet”, CliqStudios.com, first accessed Jun. 7, 2016; 3 pages.
“19 in. H x11 in. W x22 in. D Single 35 Qt. Pull-Out Brushed Aluminum and White Waste Container”, HomeDepot.com, first accessed Jun. 7, 2016; 2 pages.

ValentinoDesigns “Reclaimed Barn Wood Kitchen Island with Drawers cabinet Slide Out Trash Can Shelf Breakfast bar 48x35x26”, Etsy.com, first accessed Jun. 2, 2016; 2 pages.
Non-Final Office Action in U.S. Appl. No. 15/622,136, dated Jan. 4, 2018; 12 pages.
Final Office Action in U.S. Appl. No. 15/622,146, dated Mar. 13, 2018; 15 pages.
Notice of Allowance in U.S. Appl. No. 15/622,136 dated Jul. 11, 2018; 8 pages.
Final Office Action in U.S. Appl. No. 15/622,136 dated May 1, 2018; 12 pages.
Notice of Allowance in U.S. Appl. No. 15/622,146 dated May 21, 2018; 7 pages.
Examiner’s Report in counterpart Canadian Application for Industrial Design No. 171721, dated Mar. 3, 2017; 10 pages.
International Preliminary Report on Patentability in International Application No. PCT/US2017/037359, dated Dec. 27, 2018; 8 pages.

* cited by examiner

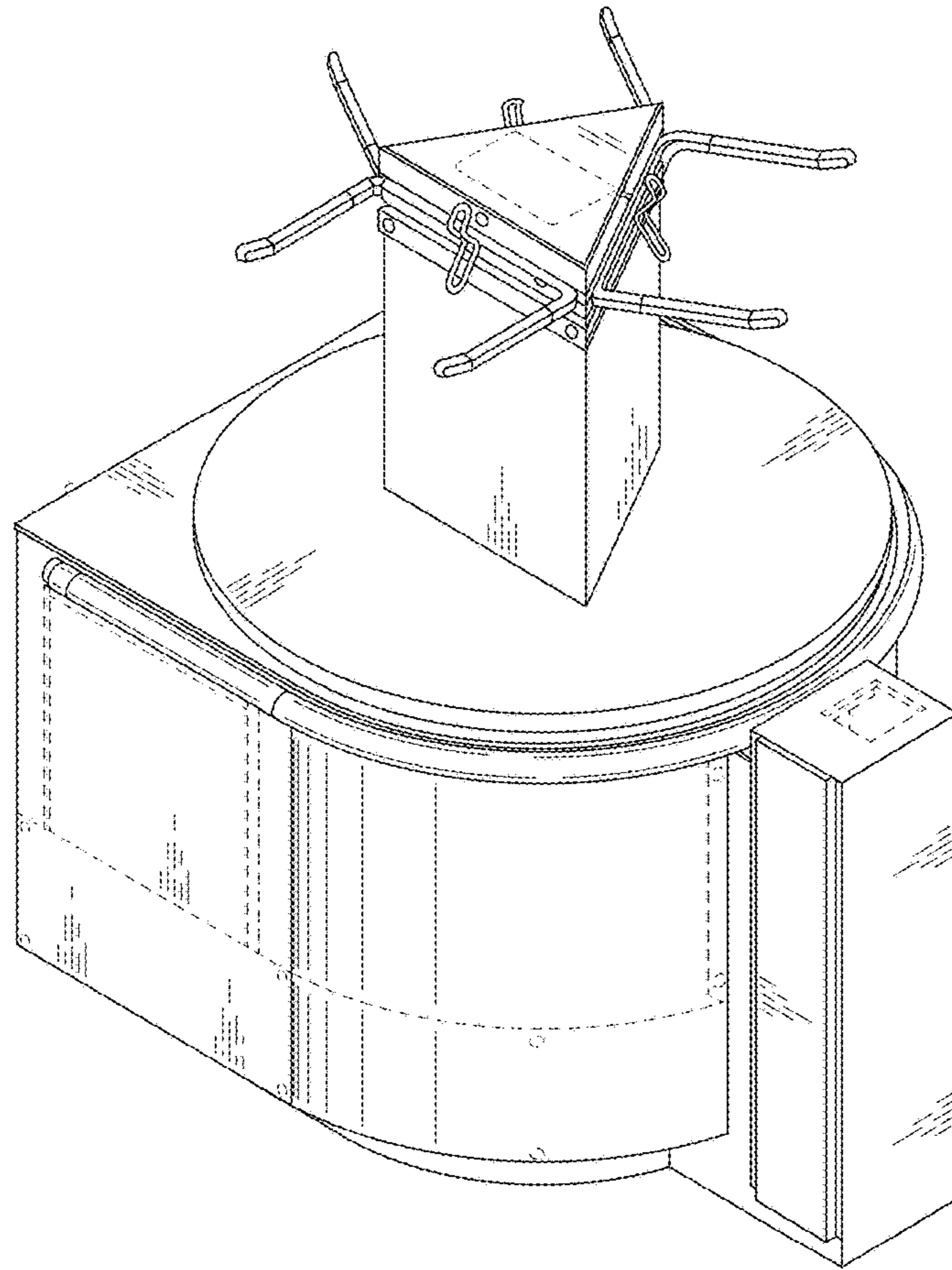


FIG. 1

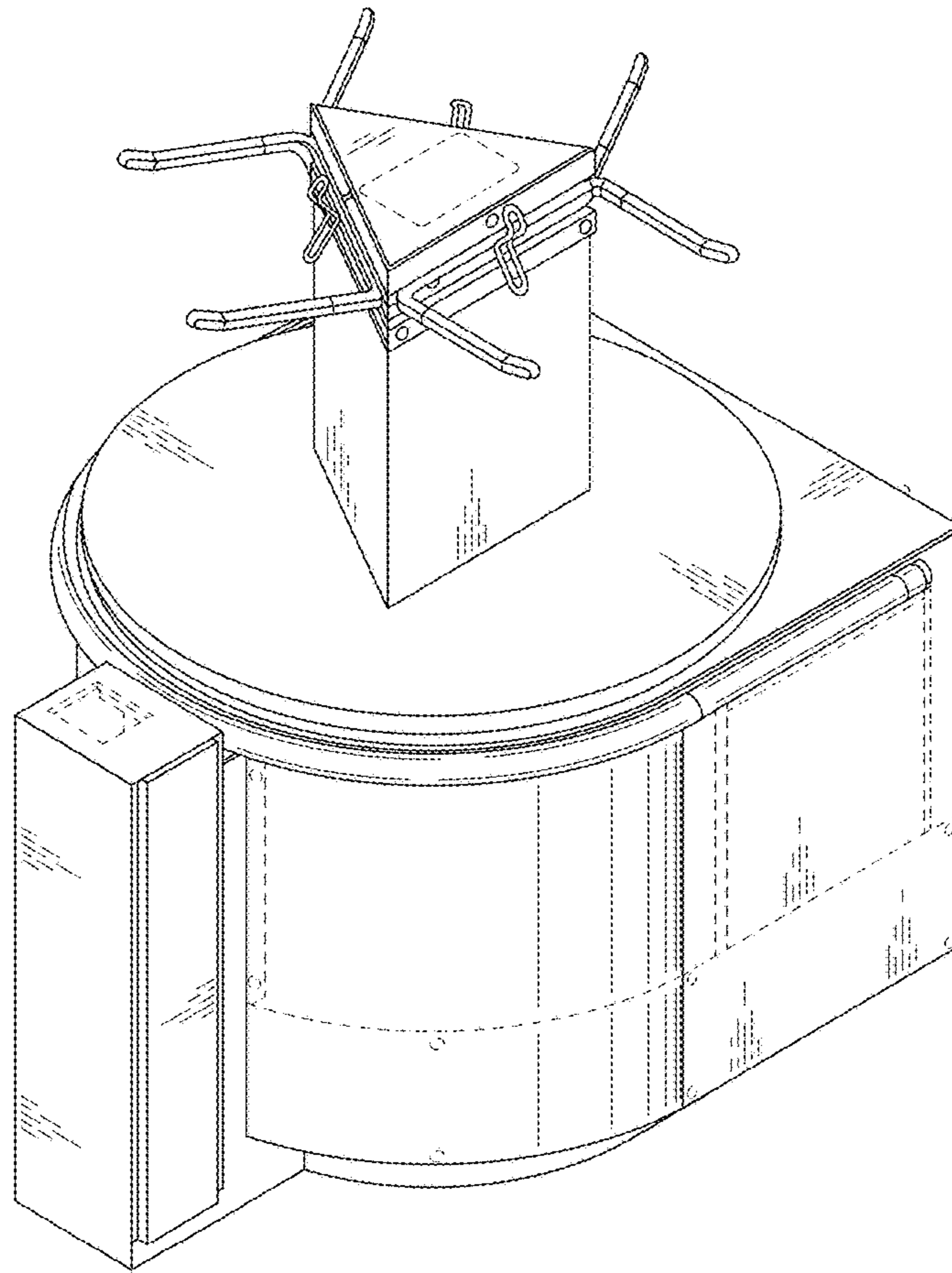


FIG. 2

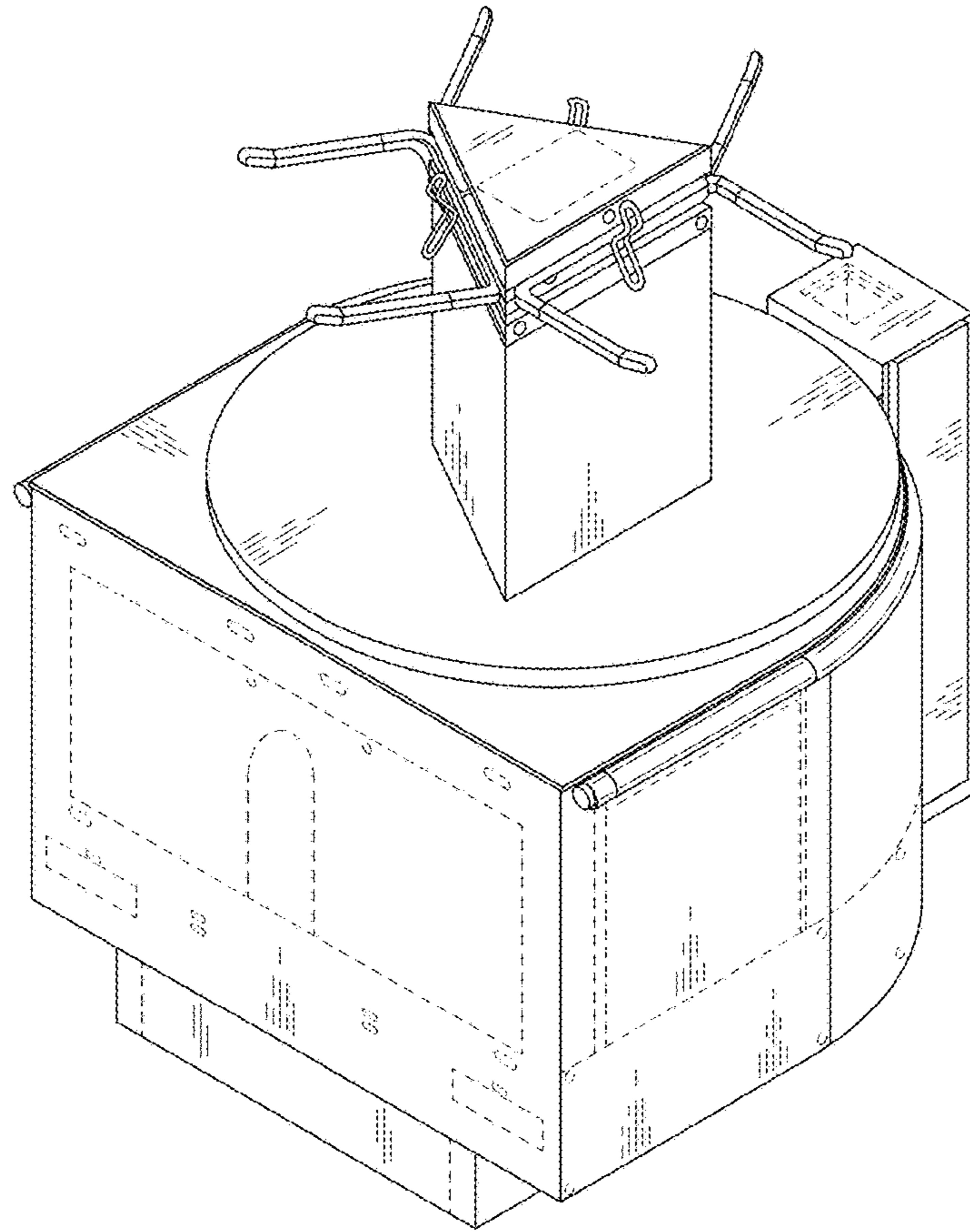


FIG. 3

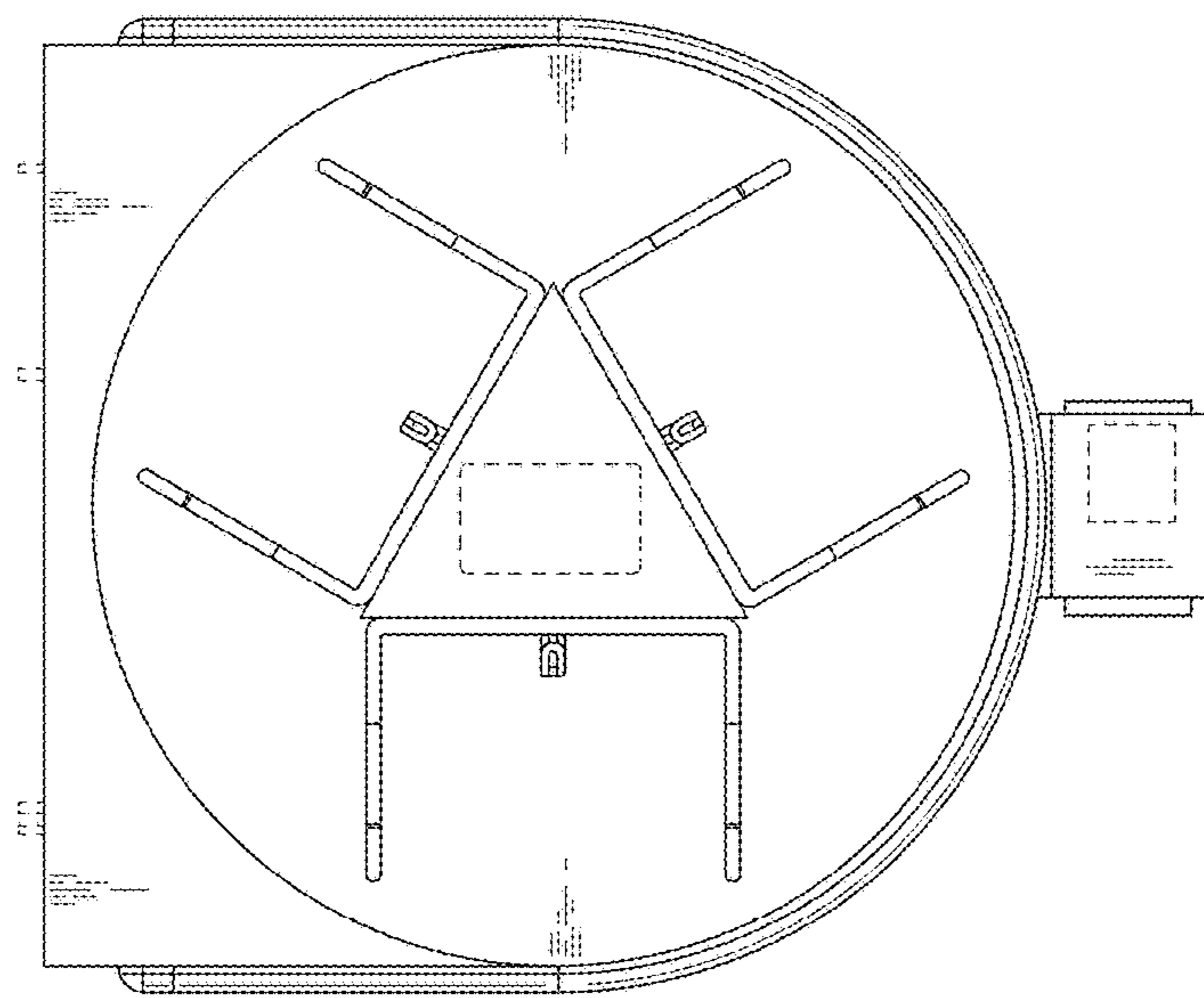


FIG. 4

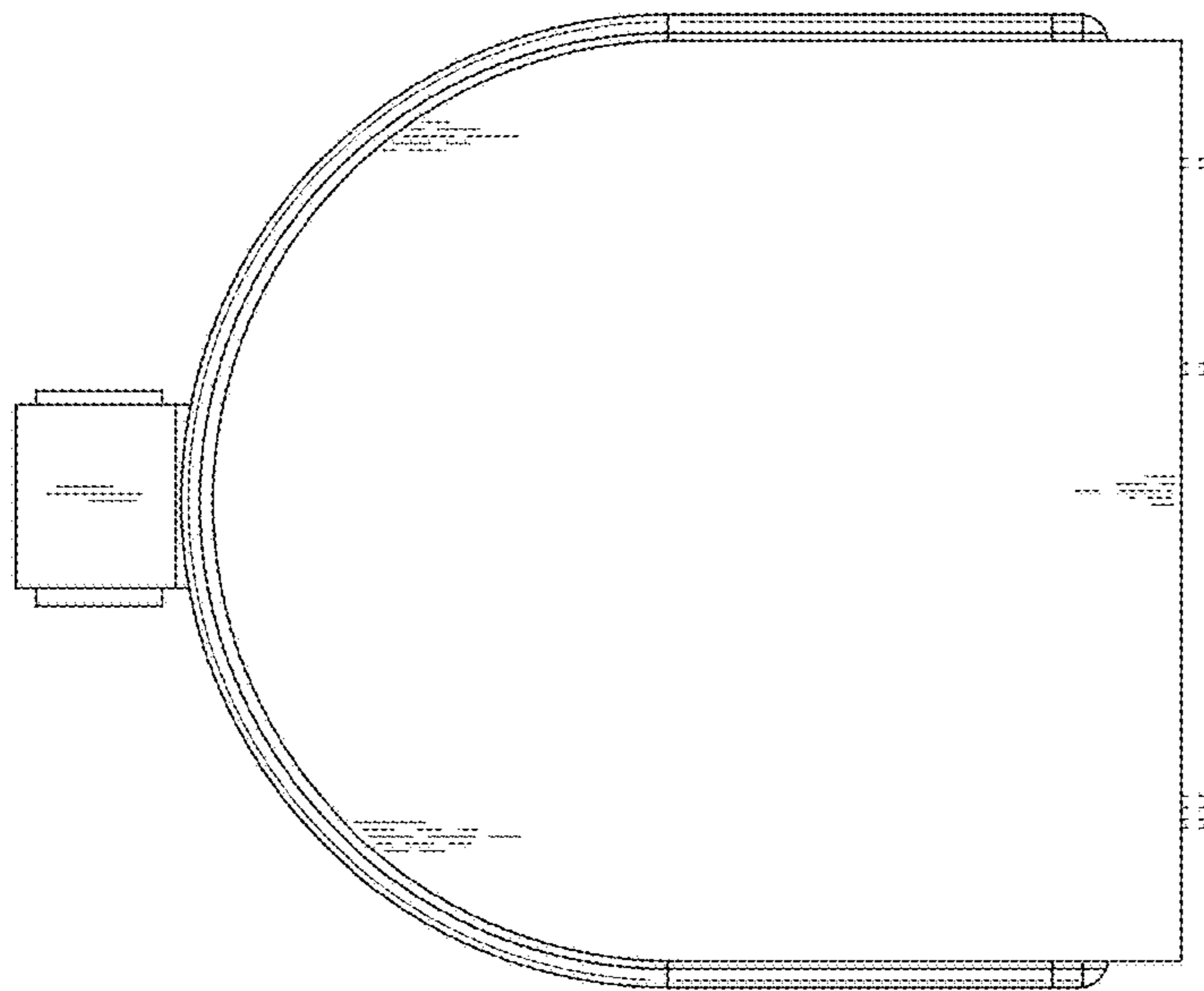


FIG. 5

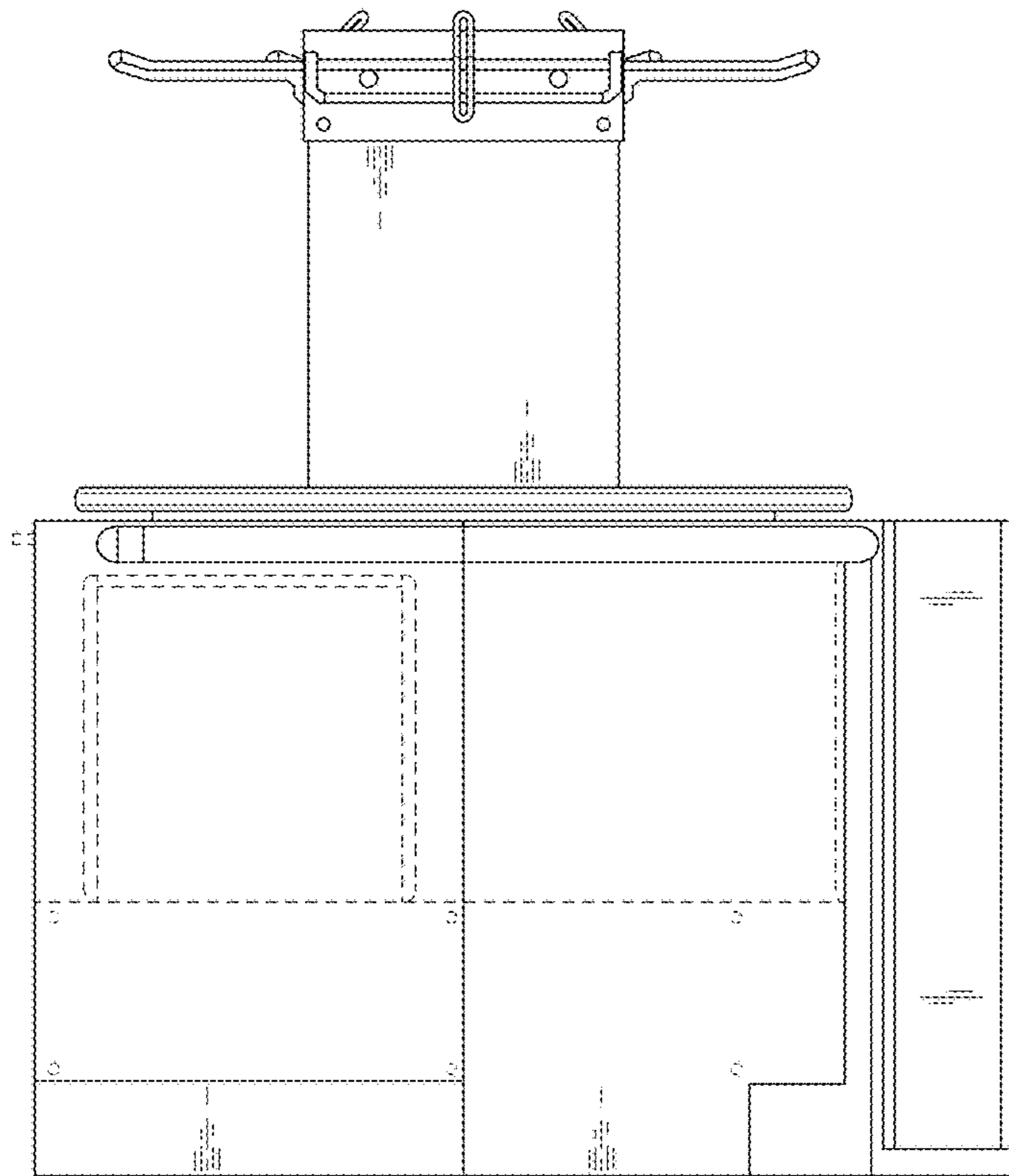


FIG. 6

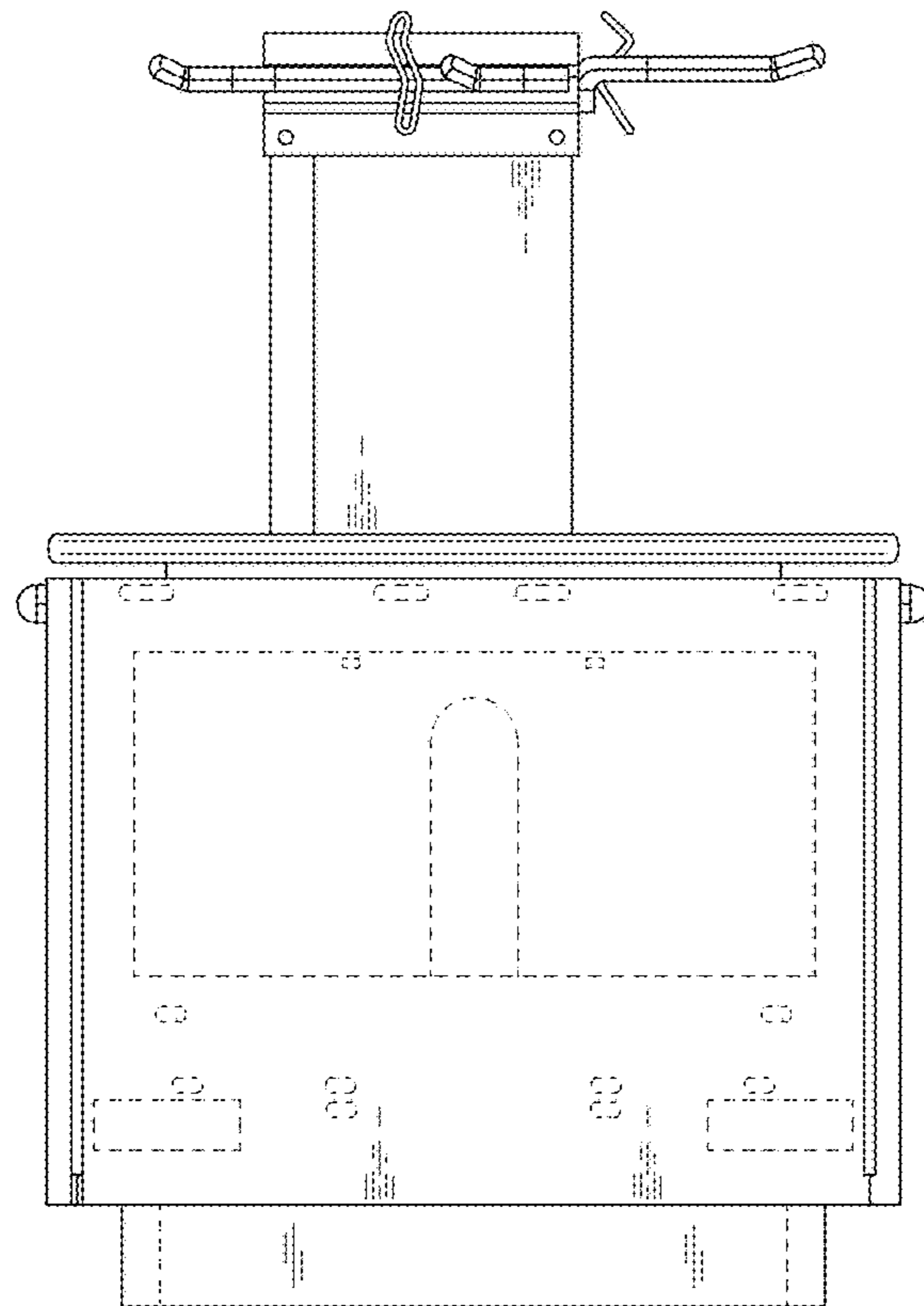


FIG. 7

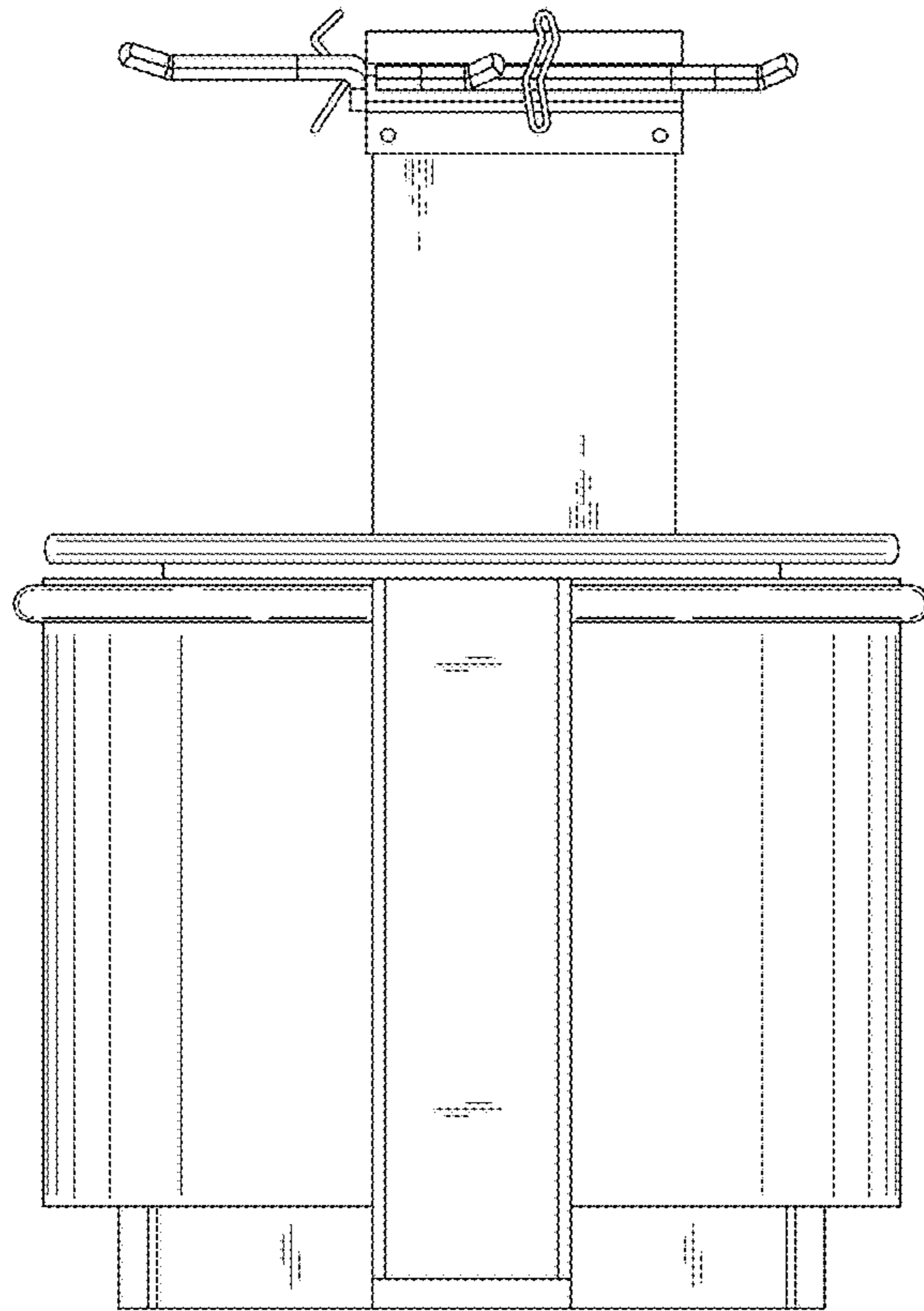


FIG. 8