



US00D854865S

(12) **United States Design Patent** (10) **Patent No.:** **US D854,865 S**
Velez (45) **Date of Patent:** **** Jul. 30, 2019**

(54) **TABLE**
(71) Applicant: **Holly Hunt Enterprises, Inc.**, Chicago, IL (US)
(72) Inventor: **Alberto Velez**, Chicago, IL (US)
(73) Assignee: **Holly Hunt Enterprises, Inc.**
(**) Term: **15 Years**
(21) Appl. No.: **29/650,643**
(22) Filed: **Jun. 8, 2018**
(51) **LOC (11) Cl.** **06-03**
(52) **U.S. Cl.**
USPC **D6/696.1**
(58) **Field of Classification Search**
USPC D6/640, 641, 642, 643, 643.1, 644, 648, D6/648.1, 648.3, 648.4, 649, 650, 651, D6/652, 655, 655.1, 655.11, 656, 668, D6/672, 675, 685, 688.11, 688.21, D6/688.27, 690, 695, 698, 696.1, 700, D6/709.22
CPC A47B 9/00; A47B 9/04; A47B 9/06; A47B 3/08; A47B 21/00; A47B 21/02; A47B 21/06; A47B 21/007; A47B 21/0314; A47B 2009/185; A47B 2200/0013; A47B 2200/0026; A47B 2200/0085; A47B 2200/0087
See application file for complete search history.

D488,005 S * 4/2004 Feng D6/687
D581,701 S * 12/2008 Grubb D6/672
D621,178 S * 8/2010 Palmby D6/683.1
D661,518 S * 6/2012 Shi D6/690
D688,073 S * 8/2013 Shi D6/693.3
D804,226 S * 12/2017 Hunt D6/687

* cited by examiner

Primary Examiner — Mary Ann Calabrese
Assistant Examiner — Catherine Ho
(74) *Attorney, Agent, or Firm* — The Belles Group, P.C.

(57) **CLAIM**

I claim the ornamental design for a table, as shown and described.

DESCRIPTION

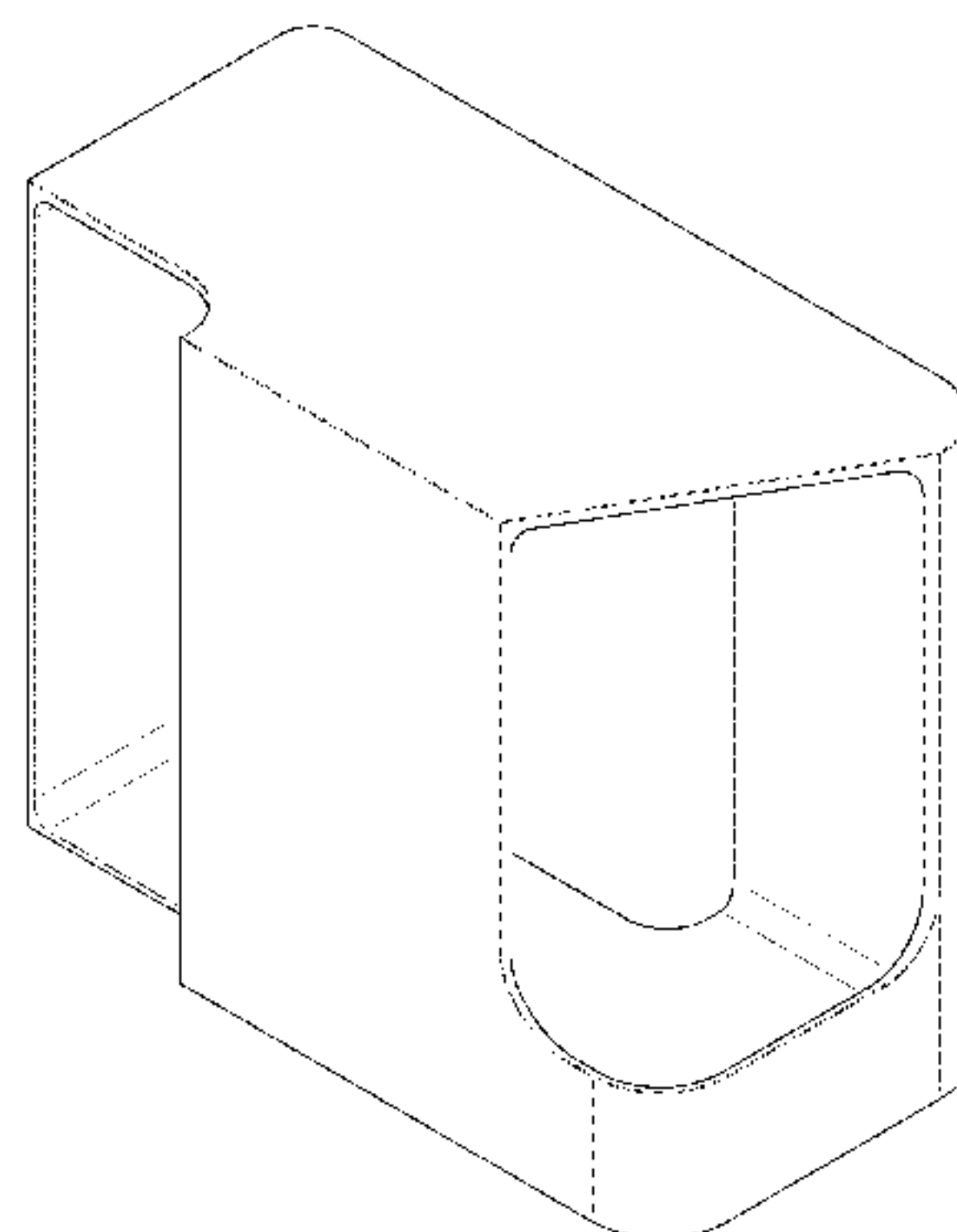
FIG. 1 is a top perspective view of a table showing my new design according to a first embodiment of the present invention.
FIG. 2 is a bottom perspective view of the table of FIG. 1.
FIG. 3 is a front view of the table of FIG. 1.
FIG. 4 is a rear view of the table of FIG. 1.
FIG. 5 is a right-side view of the table of FIG. 1.
FIG. 6 is a left-side view of the table of FIG. 1.
FIG. 7 is a top plan view of the table of FIG. 1.
FIG. 8 is a bottom plan view of the table of FIG. 1.
FIG. 9 is a top perspective view of a table showing my new design according to a second embodiment of the present invention.
FIG. 10 is a bottom perspective view of the table of FIG. 9.
FIG. 11 is a front view of the table of FIG. 9.
FIG. 12 is a rear view of the table of FIG. 9.
FIG. 13 is a right-side view of the table of FIG. 9.
FIG. 14 is a left-side view of the table of FIG. 9.
FIG. 15 is a top plan view of the table of FIG. 9; and, FIG. 16 is a bottom plan view of the table of FIG. 9.
The broken lines are provided for environment only and form no part of the claimed design.

1 Claim, 12 Drawing Sheets

(56) **References Cited**

U.S. PATENT DOCUMENTS

D54,117 S * 11/1919 Palmquist D6/349
D149,418 S * 4/1948 Jones D6/652
D226,417 S * 3/1973 Duern D6/690
D279,059 S * 6/1985 Tekel D6/696.1
D285,394 S * 9/1986 Curran D6/655.1
D331,164 S * 11/1992 Deimen D6/690
D420,536 S * 2/2000 Swensson D6/696.1



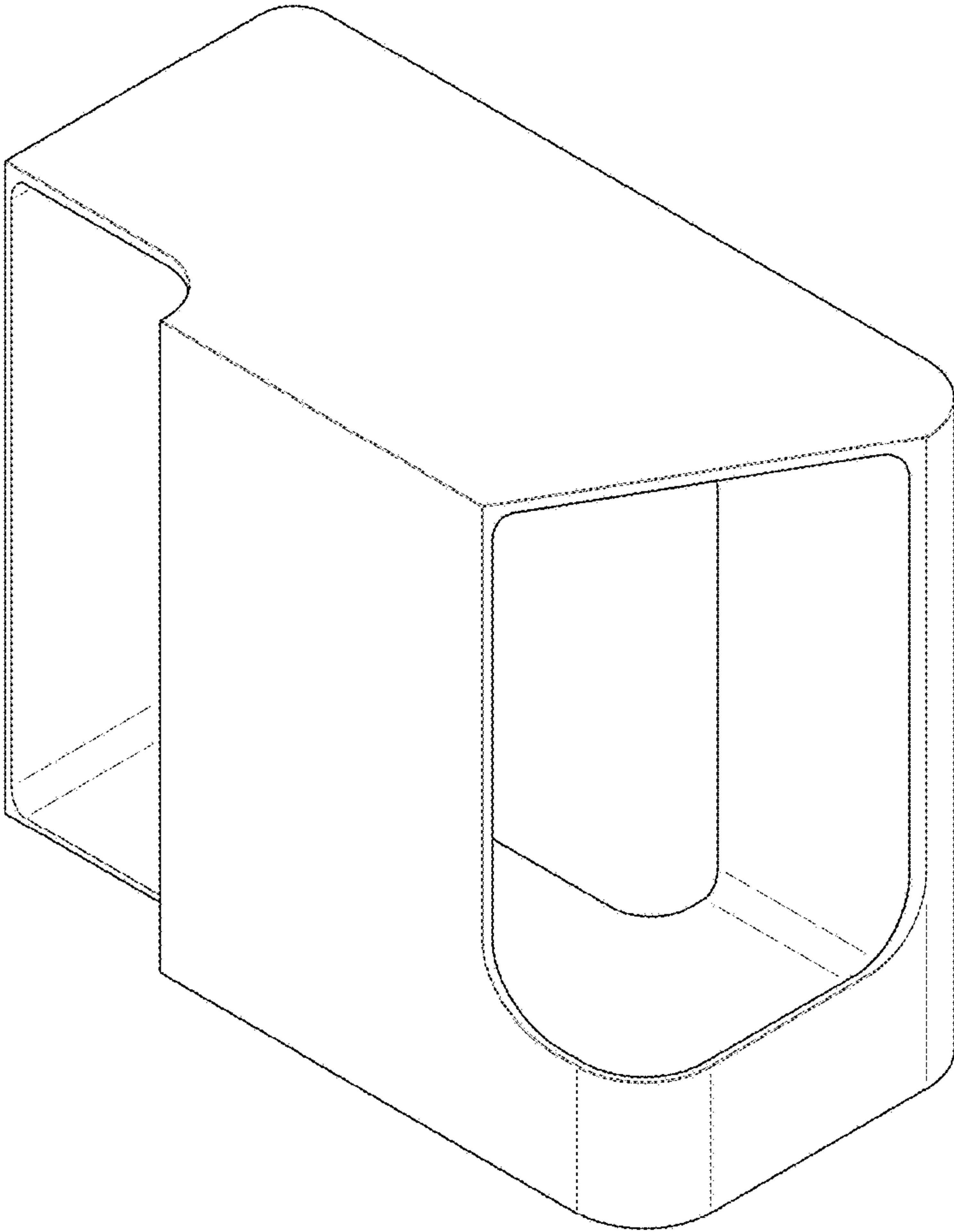


FIG. 1

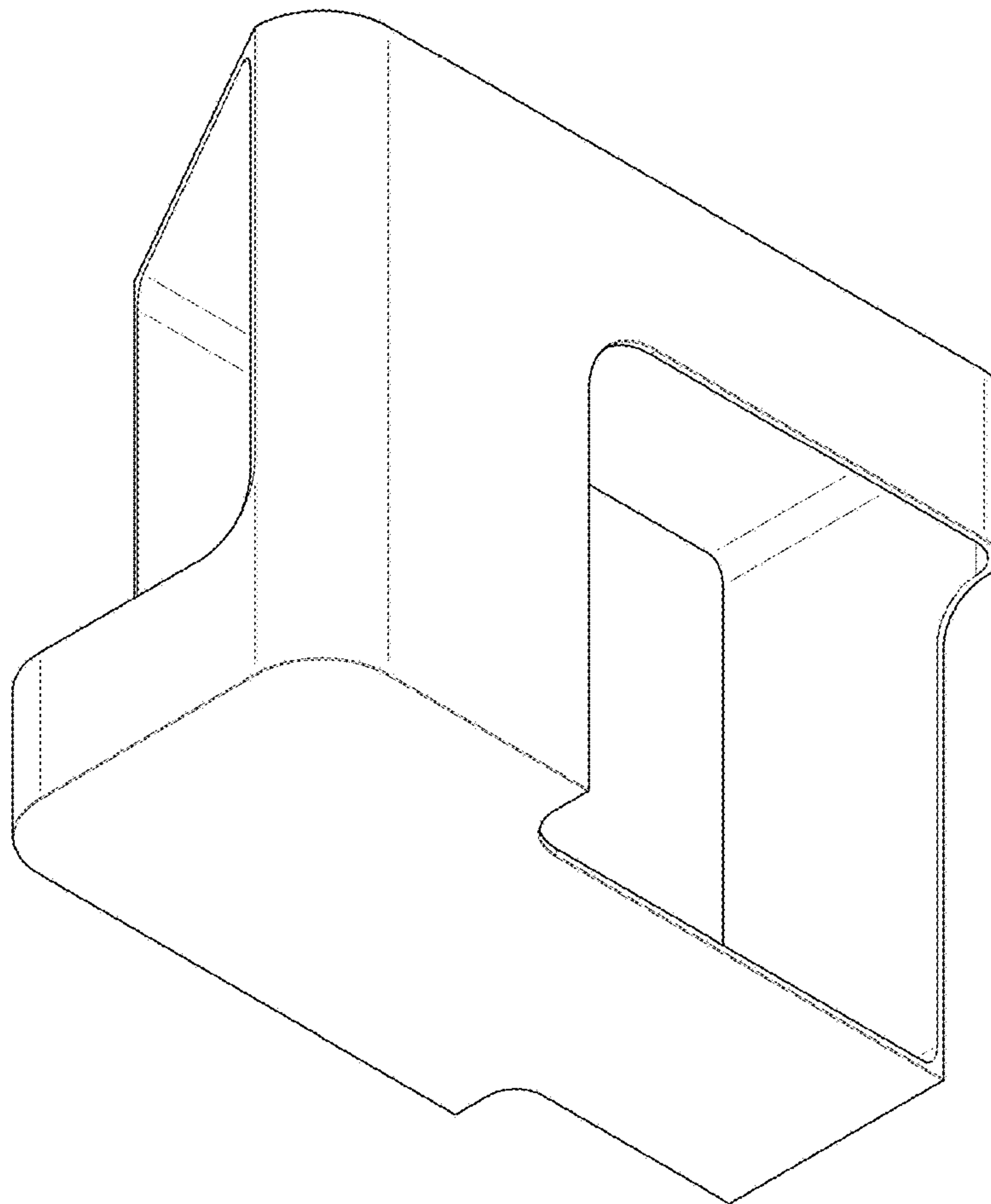


FIG. 2

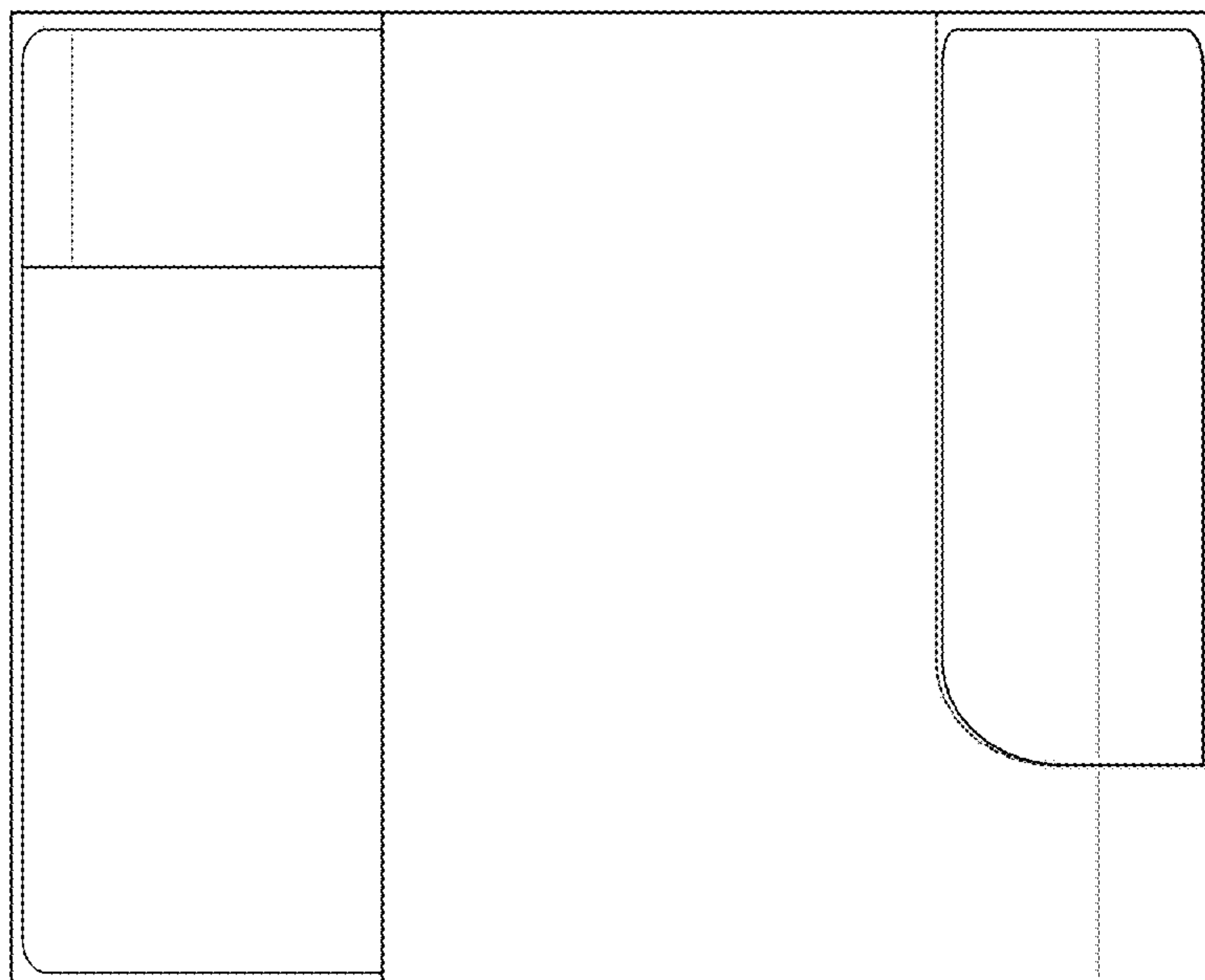


FIG. 3

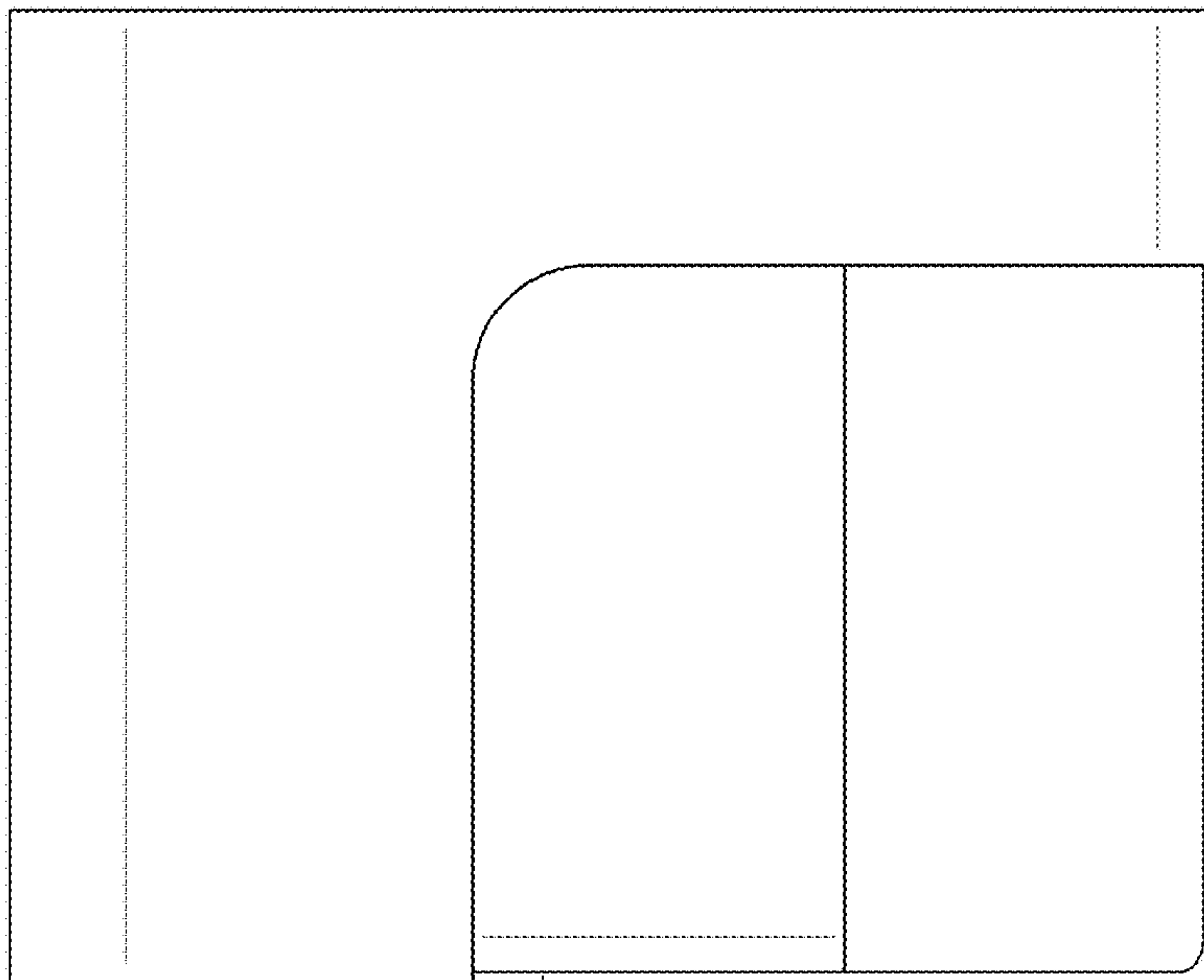


FIG. 4

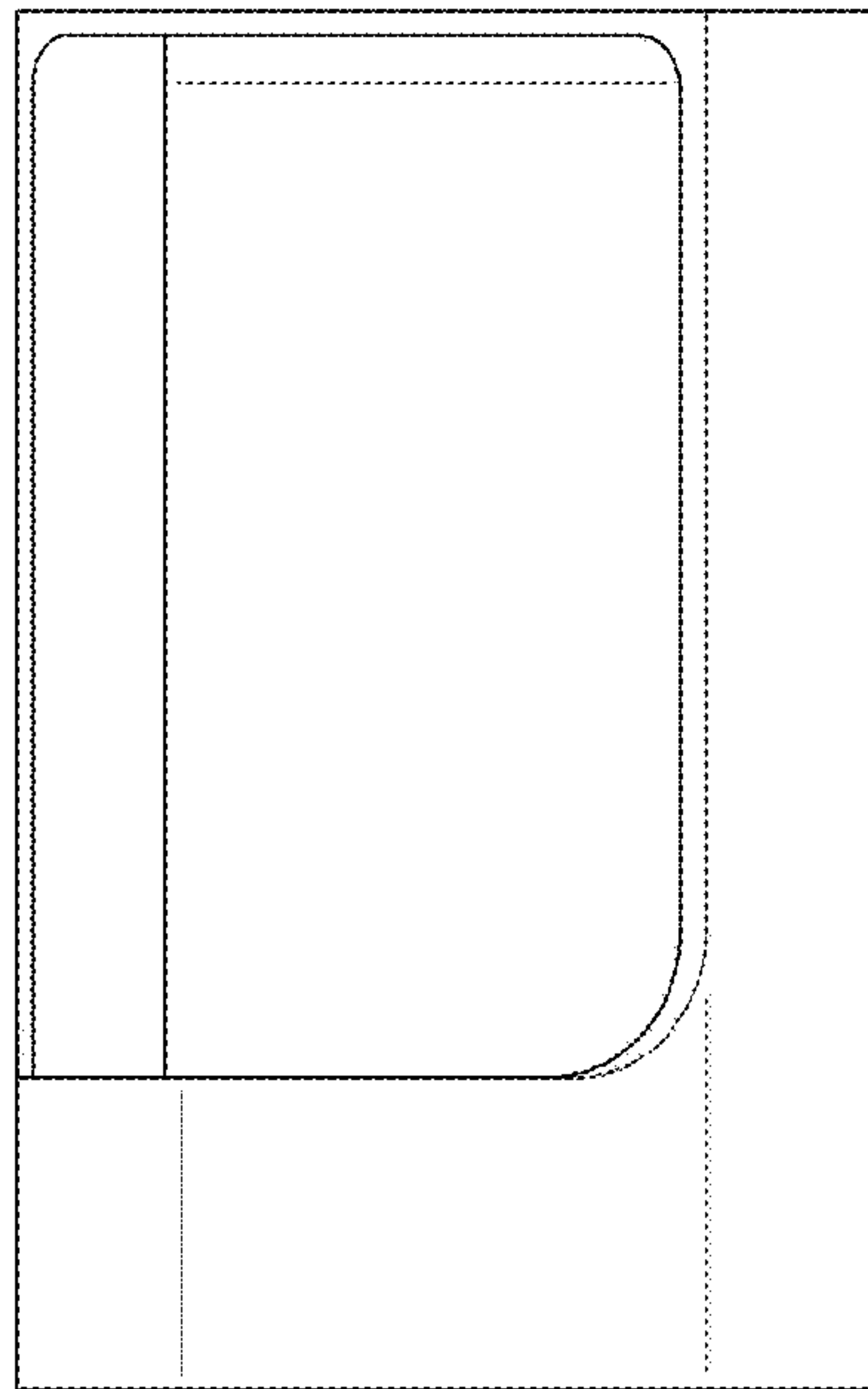


FIG. 5

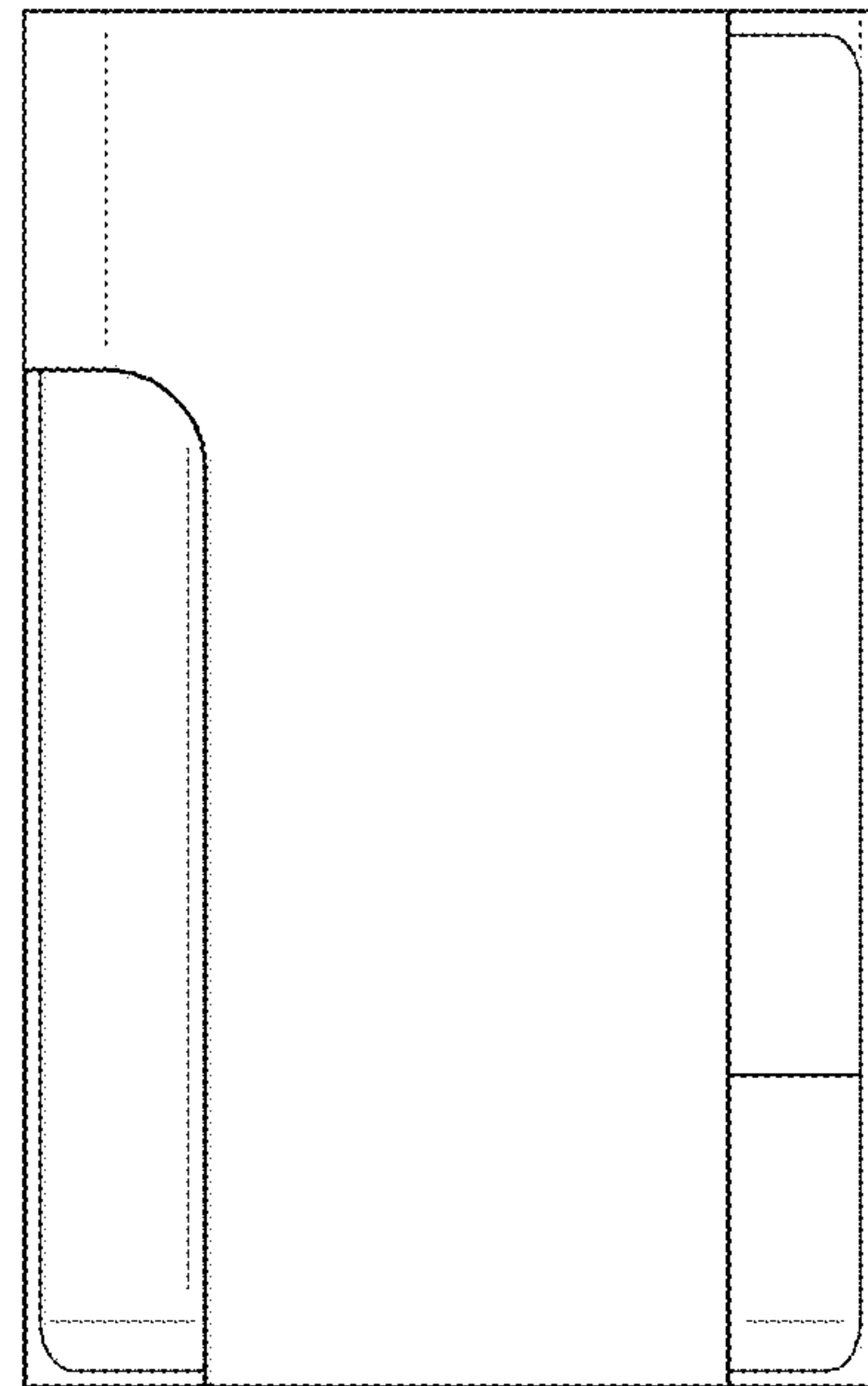


FIG. 6

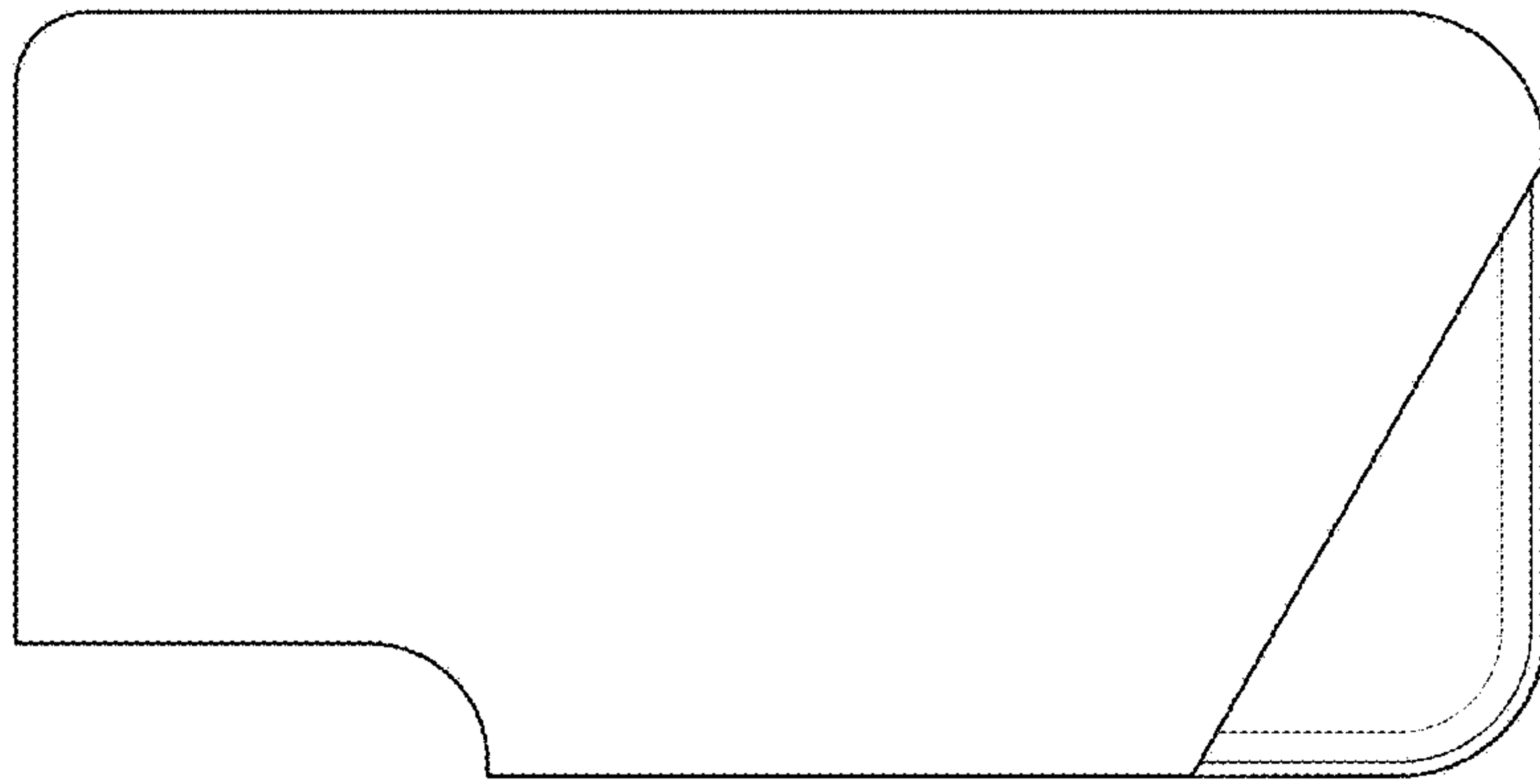


FIG. 7

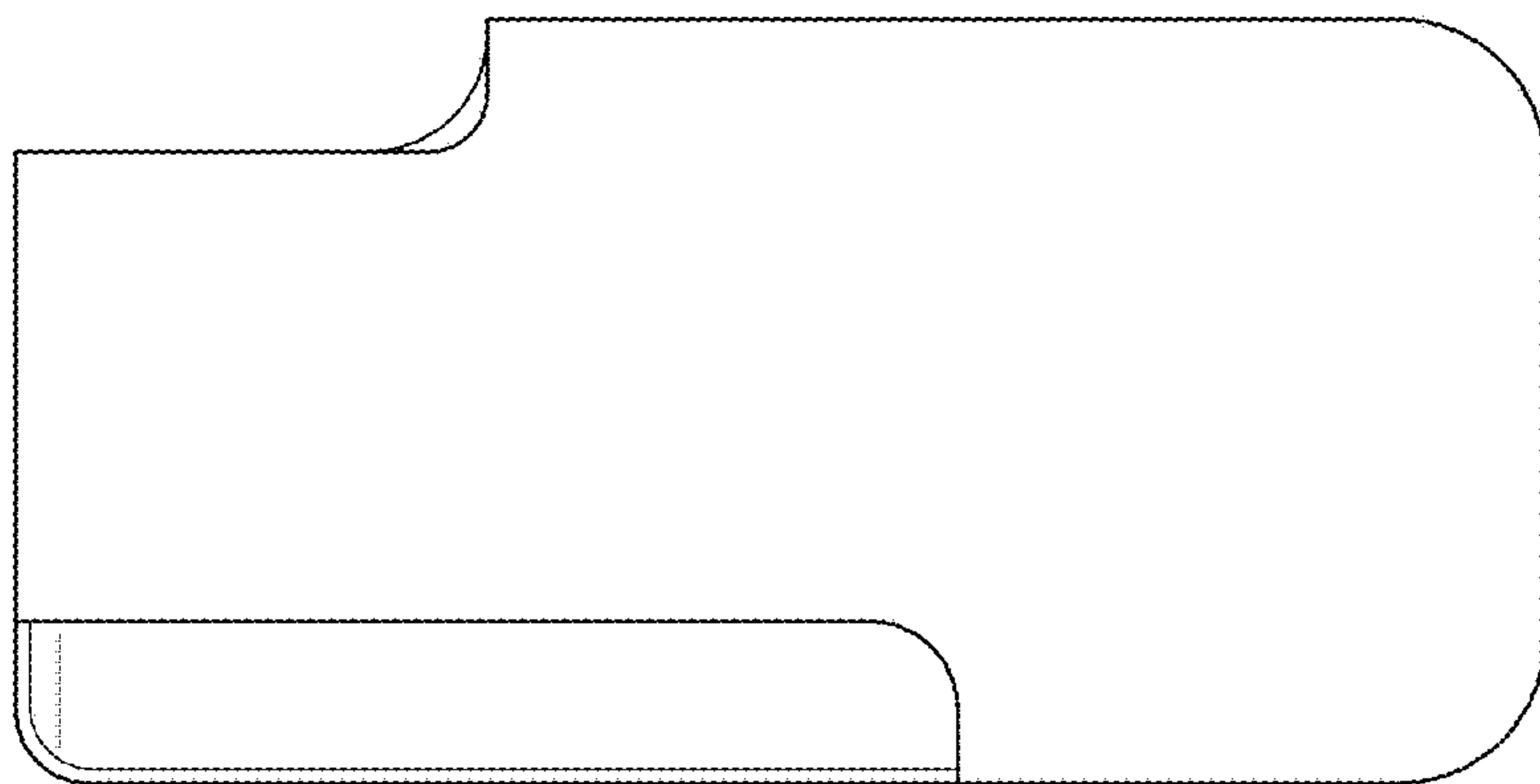


FIG. 8

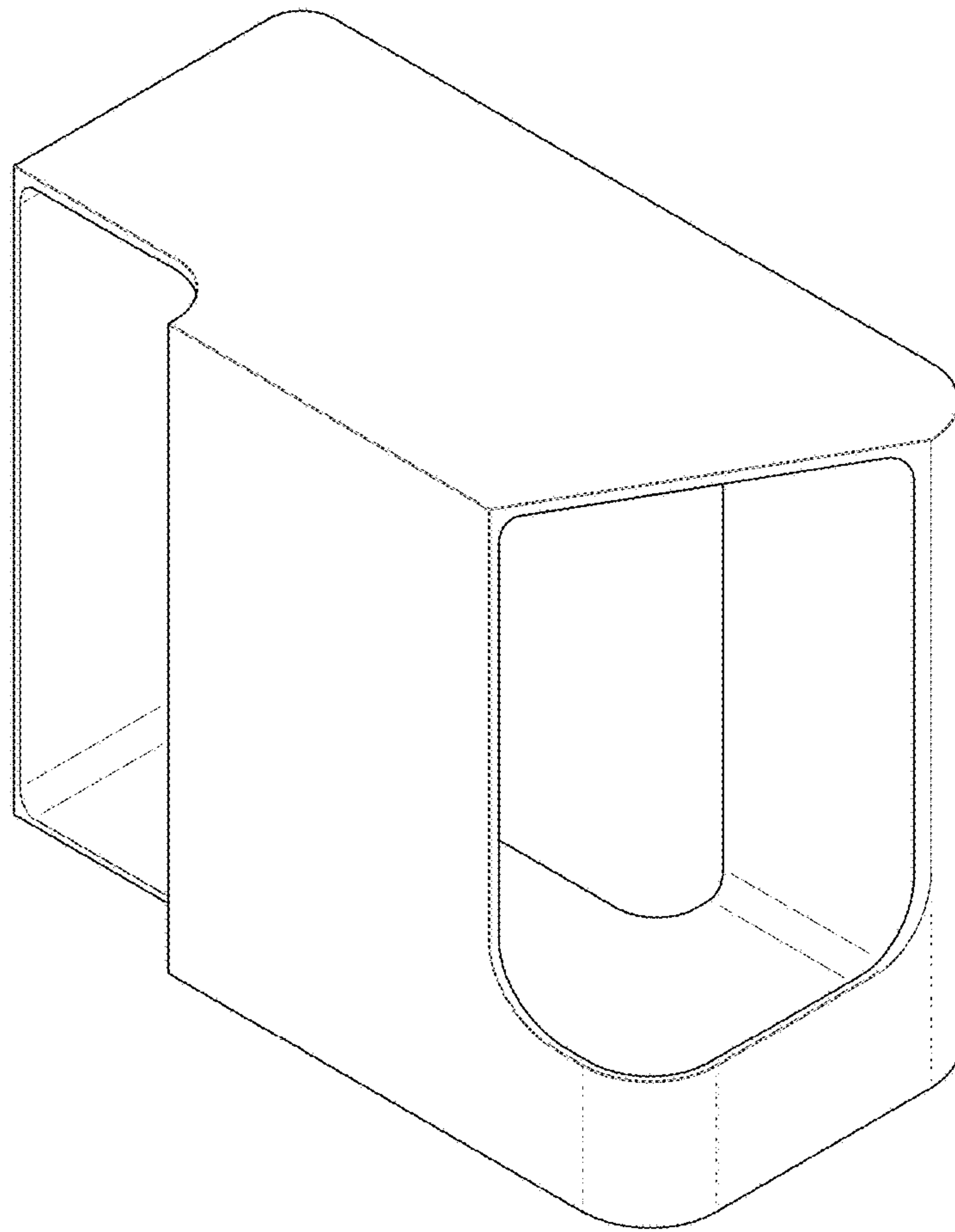


FIG. 9

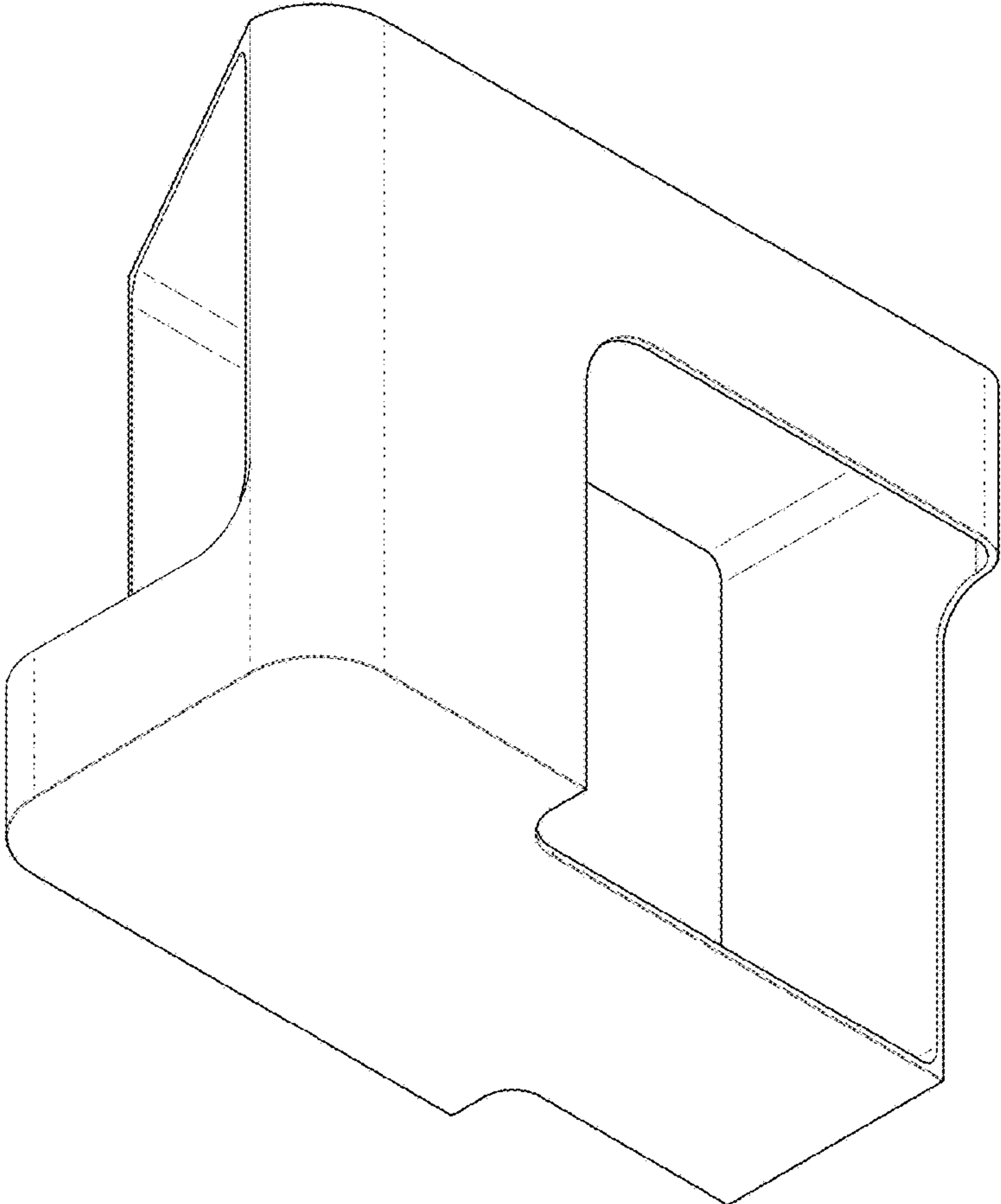


FIG. 10

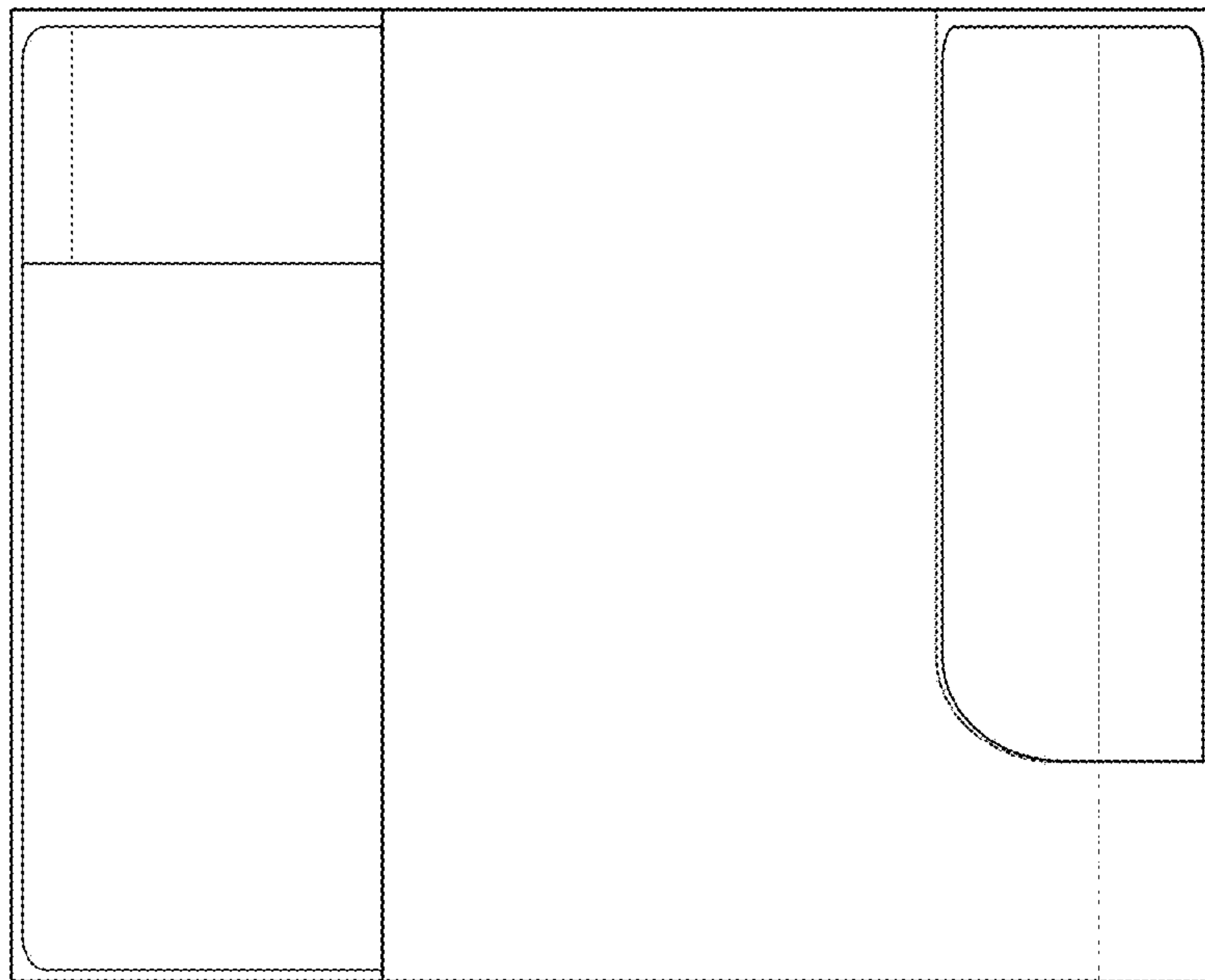


FIG. 11

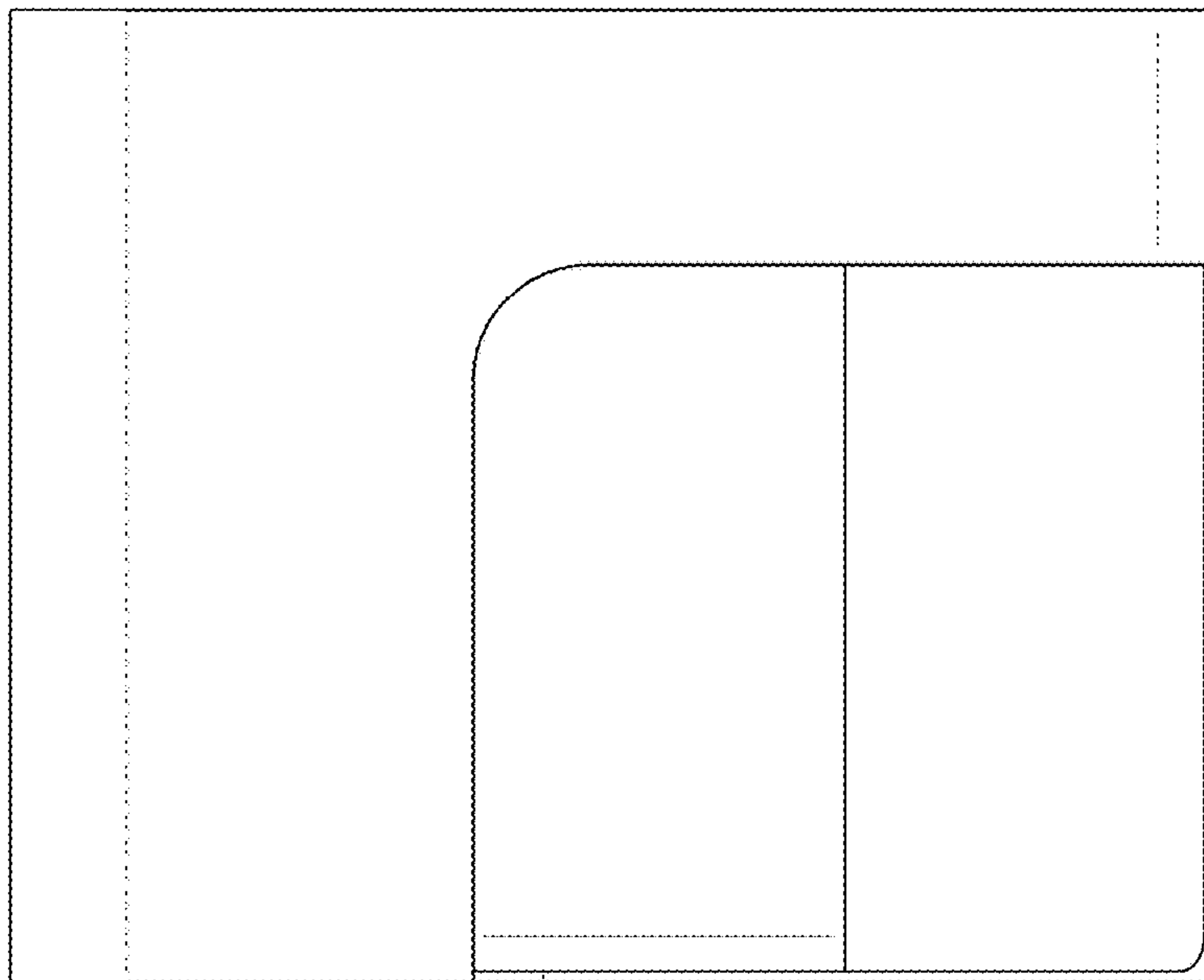


FIG. 12

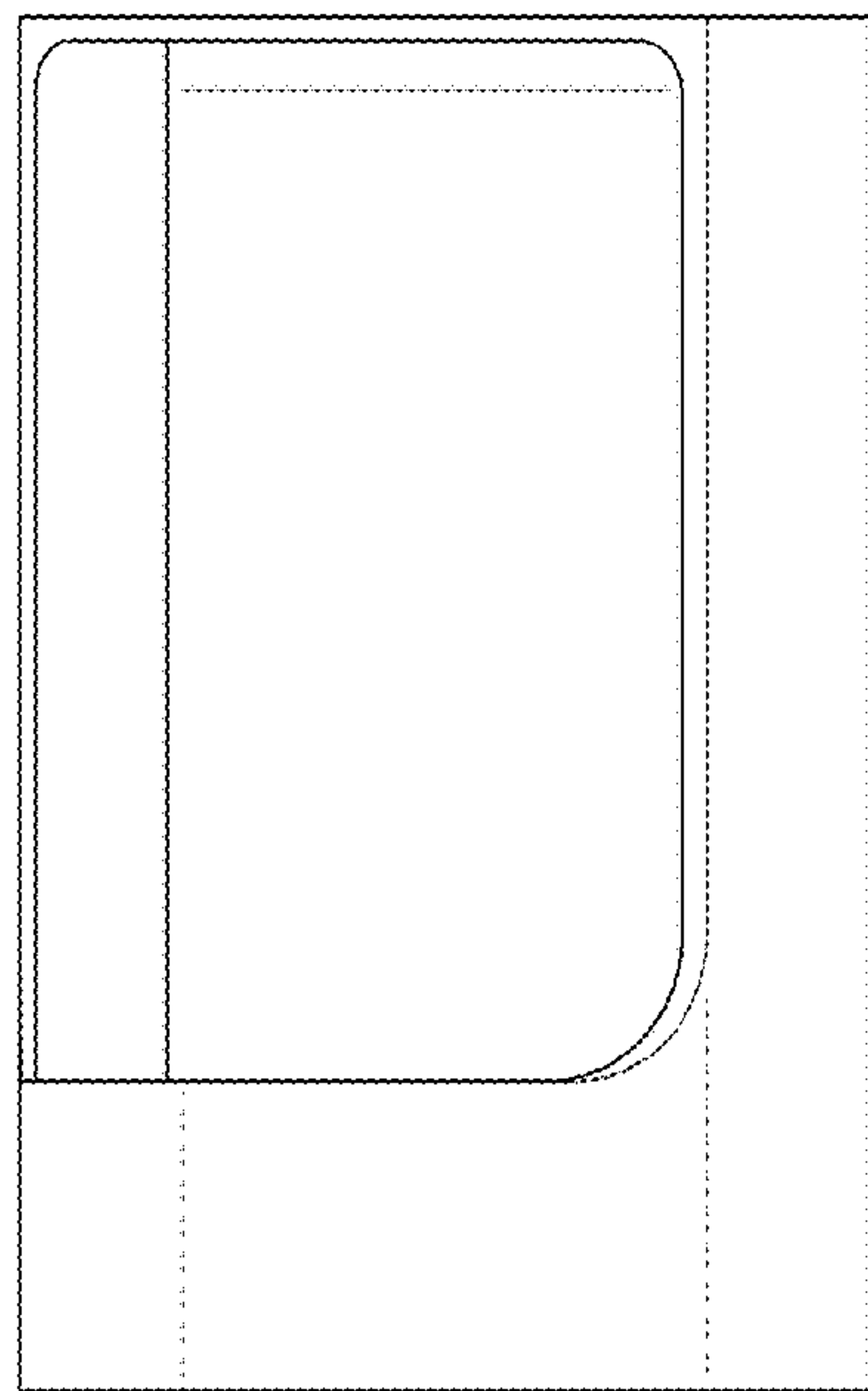


FIG. 13

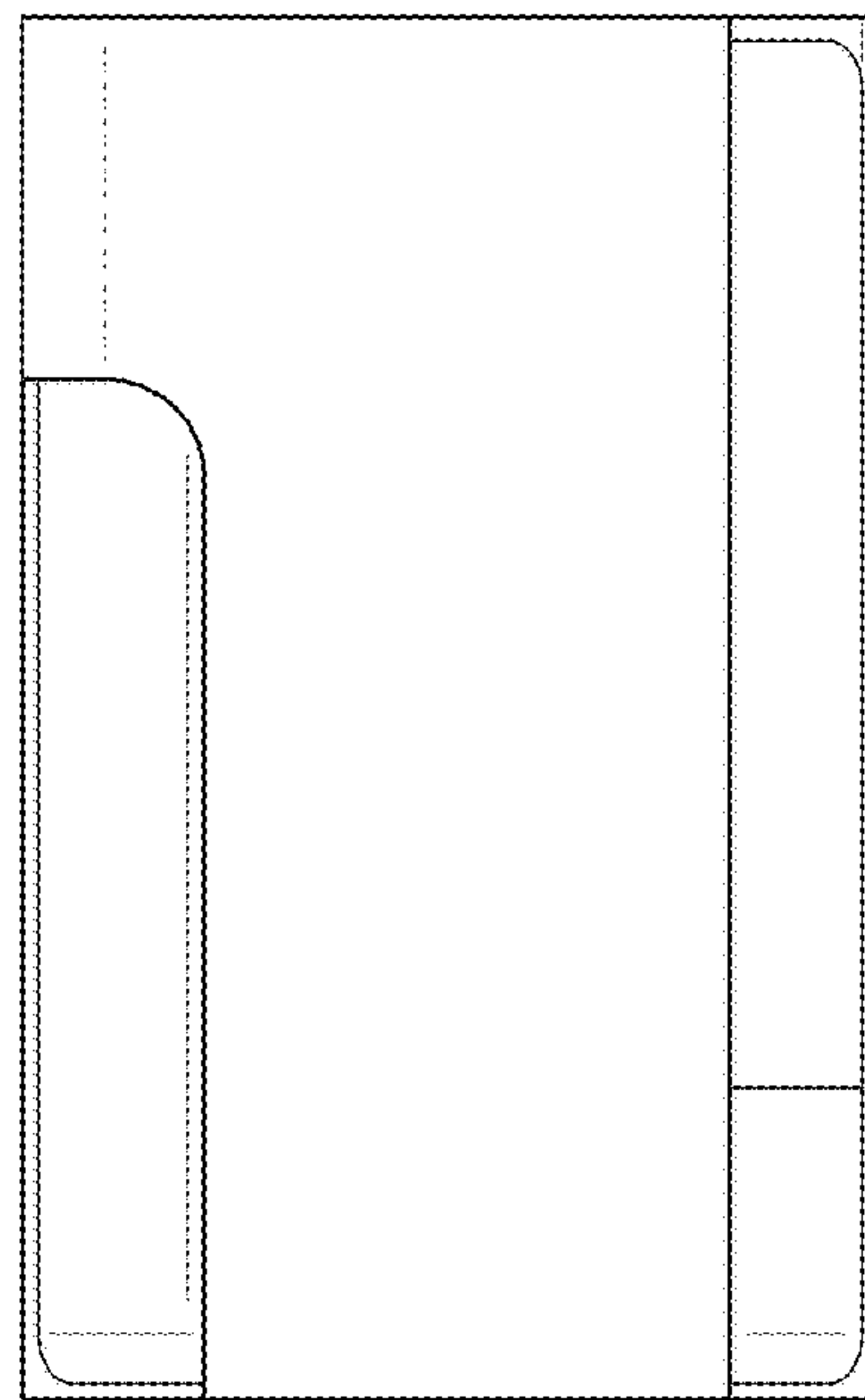


FIG. 14

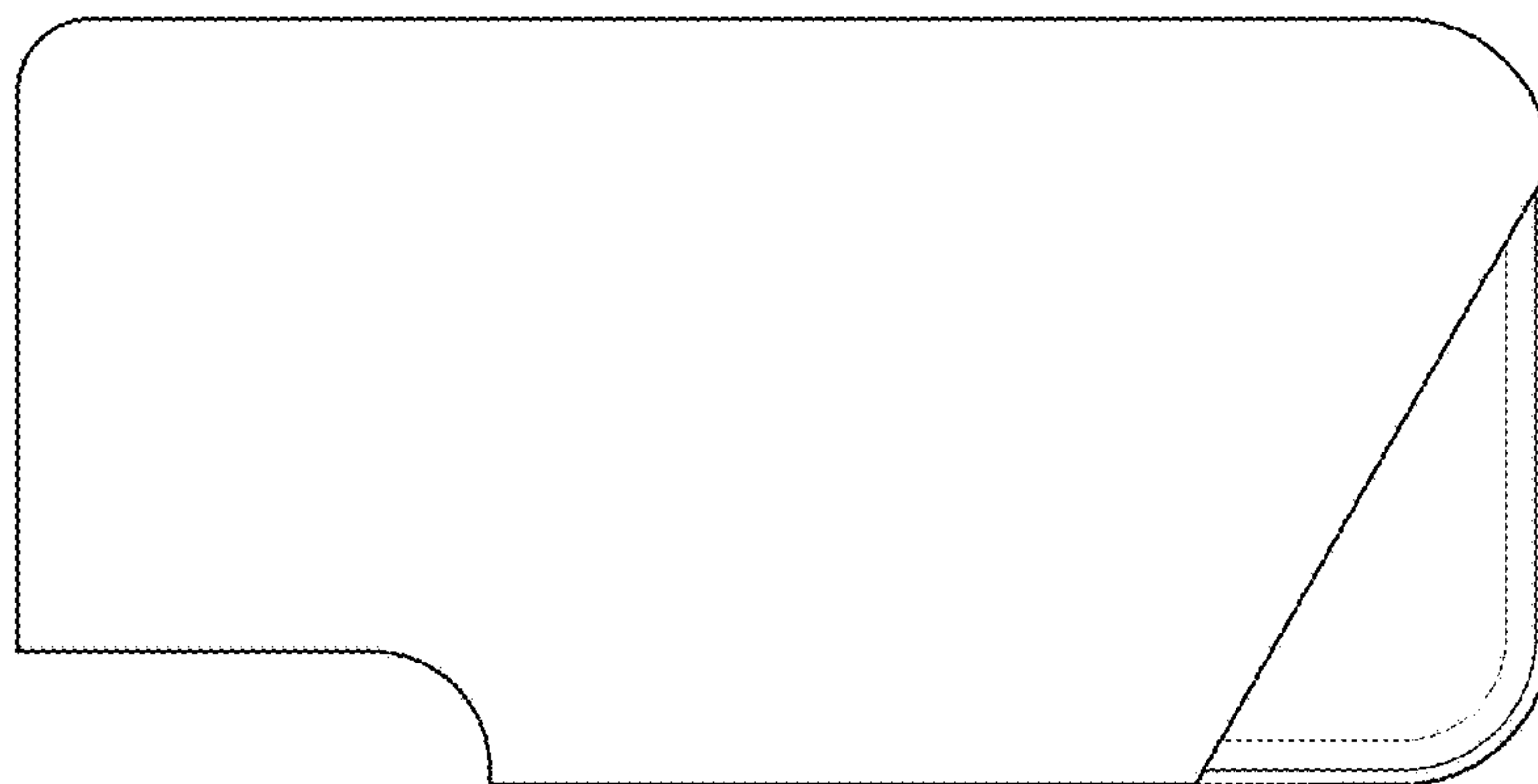


FIG. 15

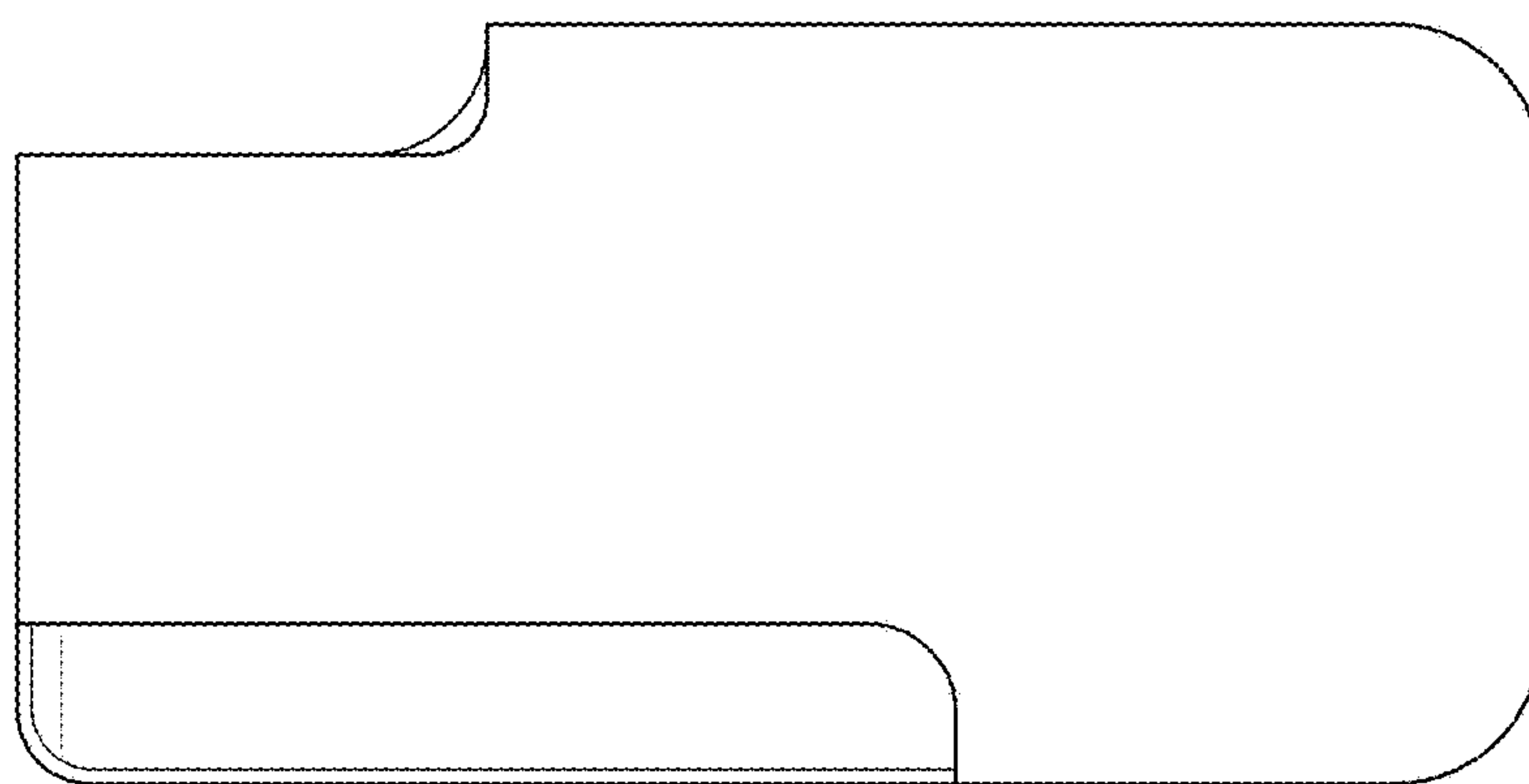


FIG. 16