



US00D854863S

(12) **United States Design Patent**  
**Majer**

(10) **Patent No.:** **US D854,863 S**  
(45) **Date of Patent:** **\*\* Jul. 30, 2019**

(54) **GARMENT RACK**  
(71) Applicant: **TON a.s.**, Bystrice pod Hostynem (CZ)  
(72) Inventor: **Lubos Majer**, Bratislava (SK)  
(73) Assignee: **TON a.s.**, Bystrice pod Hostynem (CZ)  
(\*\*) Term: **15 Years**

2,447,924 A \* 8/1948 Vitale ..... A47G 25/0664  
211/205  
D160,047 S \* 9/1950 Witz et al. .... 211/205  
2,614,698 A \* 10/1952 Bell ..... A47G 25/00  
211/131.1  
2,631,802 A \* 3/1953 Tunis ..... A47F 5/06  
108/159  
2,841,352 A \* 7/1958 Pappas ..... A47B 3/12  
108/157.18  
2,963,166 A \* 12/1960 Miller ..... A47F 7/06  
211/181.1

(21) Appl. No.: **29/615,155**

(Continued)

(22) Filed: **Aug. 25, 2017**

*Primary Examiner* — John Windmuller

*Assistant Examiner* — Steven J Czyz

(30) **Foreign Application Priority Data**

(74) *Attorney, Agent, or Firm* — Fross Zelnick Lehrman & Zissu, P.C.; Charles T. J. Weigell, Esq.

Feb. 28, 2017 (EM) ..... 003772342-0007

(51) **LOC (11) Cl.** ..... **06-06**

(52) **U.S. Cl.**  
USPC ..... **D6/681.1**

(58) **Field of Classification Search**

USPC ..... D6/315, 317, 672, 681, 681.1, 681.2,  
D6/682, 682.5, 682.6

CPC .... A47G 25/00; A47G 25/06; A47G 25/0664;  
A47G 25/10; A47G 25/0685; A47F 5/00;  
A47F 5/0006; A47F 5/0031; A47F 5/01;  
A47F 5/04; A47F 5/14; A47F 7/06; A47F  
7/19; A47F 7/24

See application file for complete search history.

(56) **References Cited**

U.S. PATENT DOCUMENTS

509,005 A \* 11/1893 Voeltzkow et al. .... A47B 3/12  
135/909  
1,022,862 A \* 4/1912 McMillen et al. .... A01K 5/008  
119/69  
1,371,263 A \* 3/1921 Reed ..... A47B 13/04  
248/150  
1,729,395 A \* 9/1929 Mandel ..... A47G 25/0664  
211/172  
2,065,622 A \* 12/1936 Smith ..... A47G 25/0664  
211/205  
D141,786 S \* 7/1945 Paden et al. .... D6/682.6

(57) **CLAIM**

The ornamental design for garment rack, as shown and described.

**DESCRIPTION**

FIG. 1 is a front perspective view of garment rack showing my new design;

FIG. 2 is a front elevational view thereof;

FIG. 3 is a left side elevational view thereof; the right side being a mirror image of the left side elevational view;

FIG. 4 is a top plan view thereof with dot-dashed lined area defining the detailed view of FIG. 5;

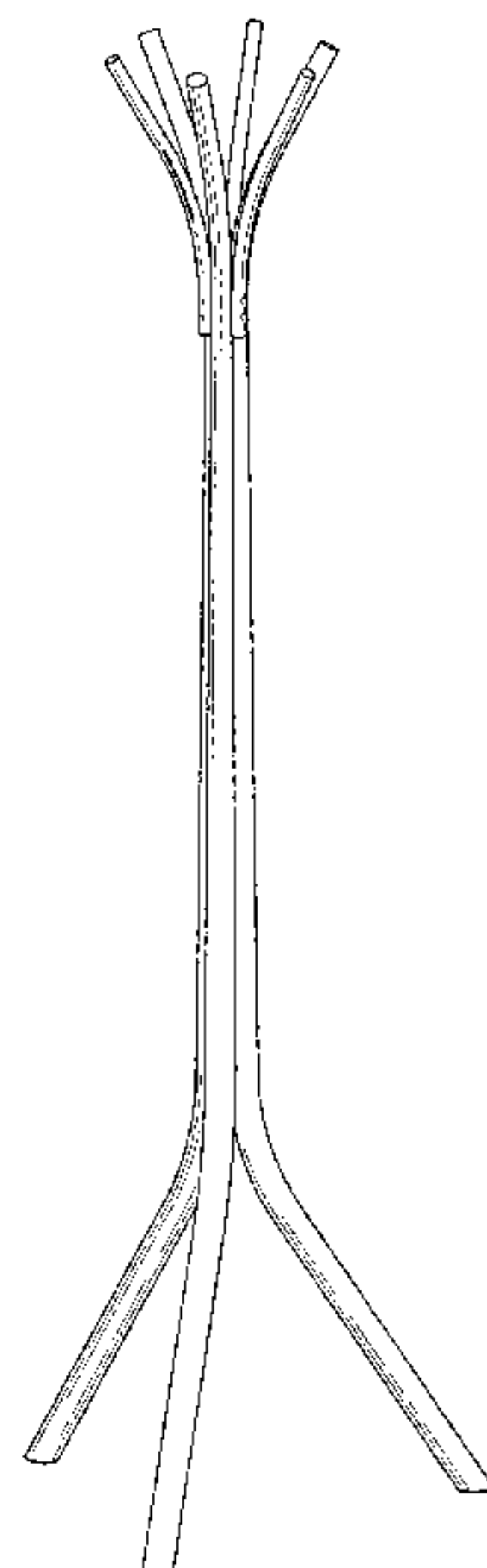
FIG. 5 is a detailed view showing the center portion of the rack;

FIG. 6 is a bottom plan view thereof with dot-dashed lined area defining the detailed view of FIG. 7; and,

FIG. 7 is a detailed view showing the center portion of the rack.

The broken line depictions of the interior circular hub portions in FIGS. 4, 5, 6 and 7 reflect matter which forms no part of the claim.

**1 Claim, 5 Drawing Sheets**



(56)

References Cited

U.S. PATENT DOCUMENTS

3,141,557 A \* 7/1964 Marschak ..... A47F 5/04  
211/205  
3,204,333 A \* 9/1965 Wise ..... A47G 25/0664  
211/1  
3,387,808 A \* 6/1968 Metcalf ..... A47F 5/04  
248/166  
3,648,892 A \* 3/1972 Morgan ..... A47F 1/08  
108/95  
3,955,787 A \* 5/1976 Brown ..... A47F 5/04  
211/196  
D241,790 S \* 10/1976 Longen et al. .... D6/681.1  
4,423,849 A \* 1/1984 Jordan ..... A47G 7/041  
135/100  
D281,039 S \* 10/1985 Hurst ..... D6/681.2  
5,029,795 A \* 7/1991 Dexter ..... F16M 11/041  
248/181.1  
D332,311 S \* 1/1993 Redding ..... D24/128  
D429,921 S \* 8/2000 Allanson ..... D6/681.1  
6,311,857 B1 \* 11/2001 Al-Darraji ..... A47G 25/0664  
211/203  
6,398,040 B1 \* 6/2002 Gregory ..... A63B 47/00  
211/14  
D469,975 S \* 2/2003 Sparkowski ..... D6/681.1  
D534,012 S \* 12/2006 Lee, Sr. .... D6/681.1

D557,941 S \* 12/2007 Valentini ..... D6/681.2  
7,374,136 B1 \* 5/2008 Perea ..... A47F 5/04  
248/121  
D595,518 S \* 7/2009 Zapanta ..... D6/681.1  
D655,530 S \* 3/2012 Denby ..... D6/681.1  
D657,977 S \* 4/2012 Belitz ..... D6/681.1  
D664,788 S \* 8/2012 Baylon ..... D6/681.1  
D722,461 S \* 2/2015 Braun ..... D3/234  
D722,796 S \* 2/2015 Lievore ..... D6/681.1  
9,220,339 B1 \* 12/2015 Chen ..... A63B 47/00  
D761,601 S \* 7/2016 Simmons ..... D6/681  
D779,241 S \* 2/2017 Terada ..... D6/315  
D793,131 S \* 8/2017 Gazit ..... D6/681.1  
9,839,303 B2 \* 12/2017 Franzone, Jr. .... A47F 5/0006  
D812,398 S \* 3/2018 Mendini ..... D6/681.1  
2003/0164348 A1 \* 9/2003 Seng ..... D06F 57/04  
211/196  
2006/0284032 A1 \* 12/2006 Gliatis ..... A47G 25/0664  
248/127  
2010/0264280 A1 \* 10/2010 Zaatar ..... A47G 25/0664  
248/97  
2010/0300900 A1 \* 12/2010 Quan ..... A45C 11/16  
206/6.1  
2012/0055893 A1 \* 3/2012 Wisniewski ..... A47G 25/0664  
211/85.3  
2013/0026313 A1 \* 1/2013 Morrow ..... F16M 11/245  
248/157

\* cited by examiner

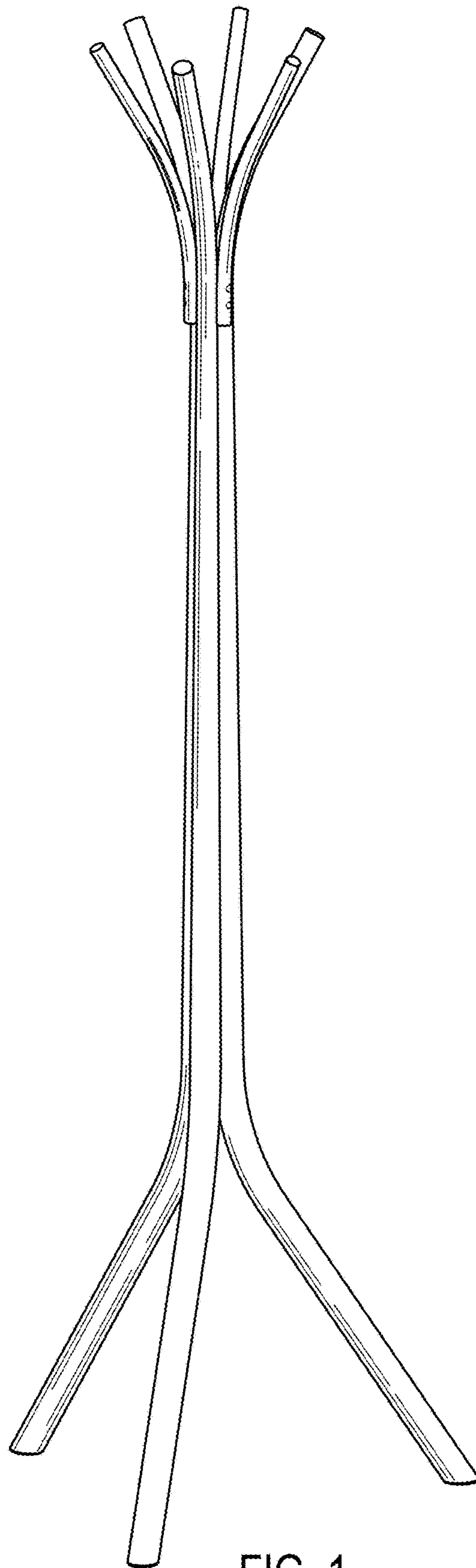


FIG. 1

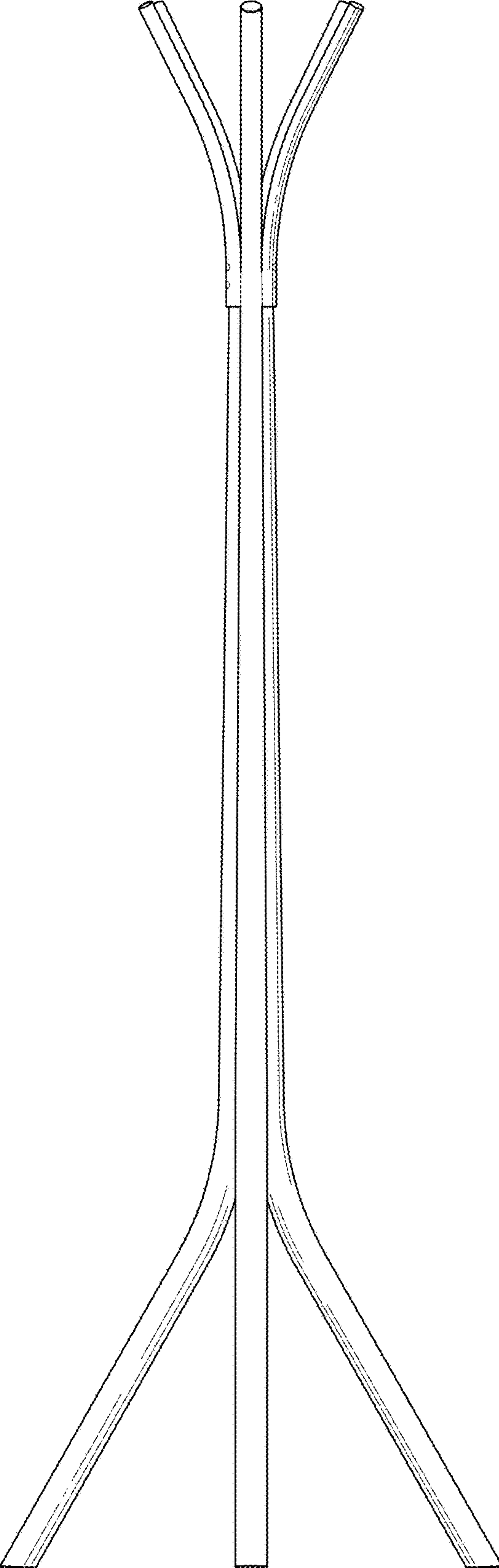


FIG. 2

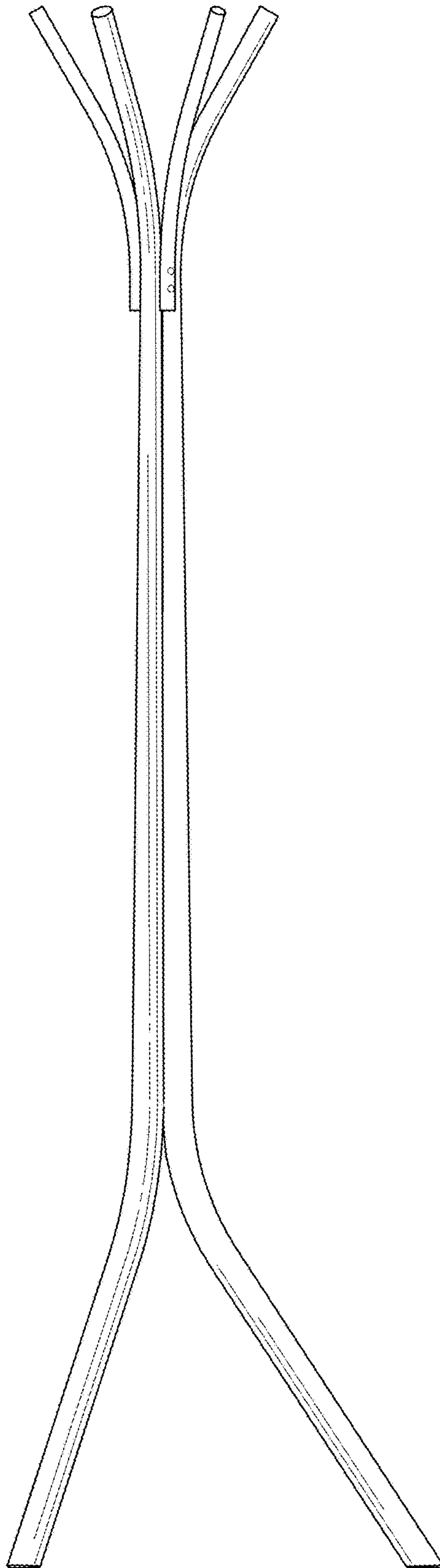


FIG. 3

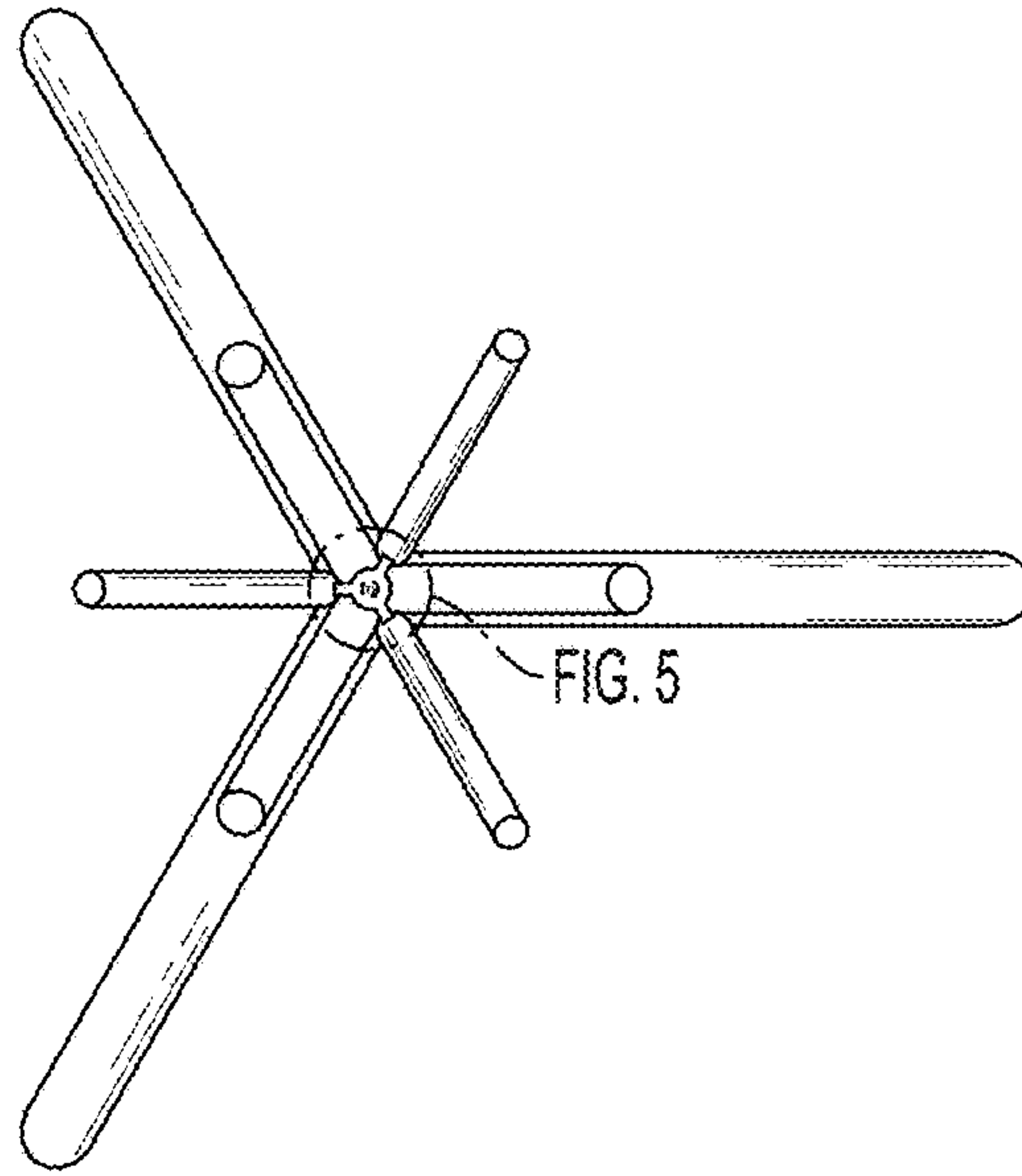


FIG. 4

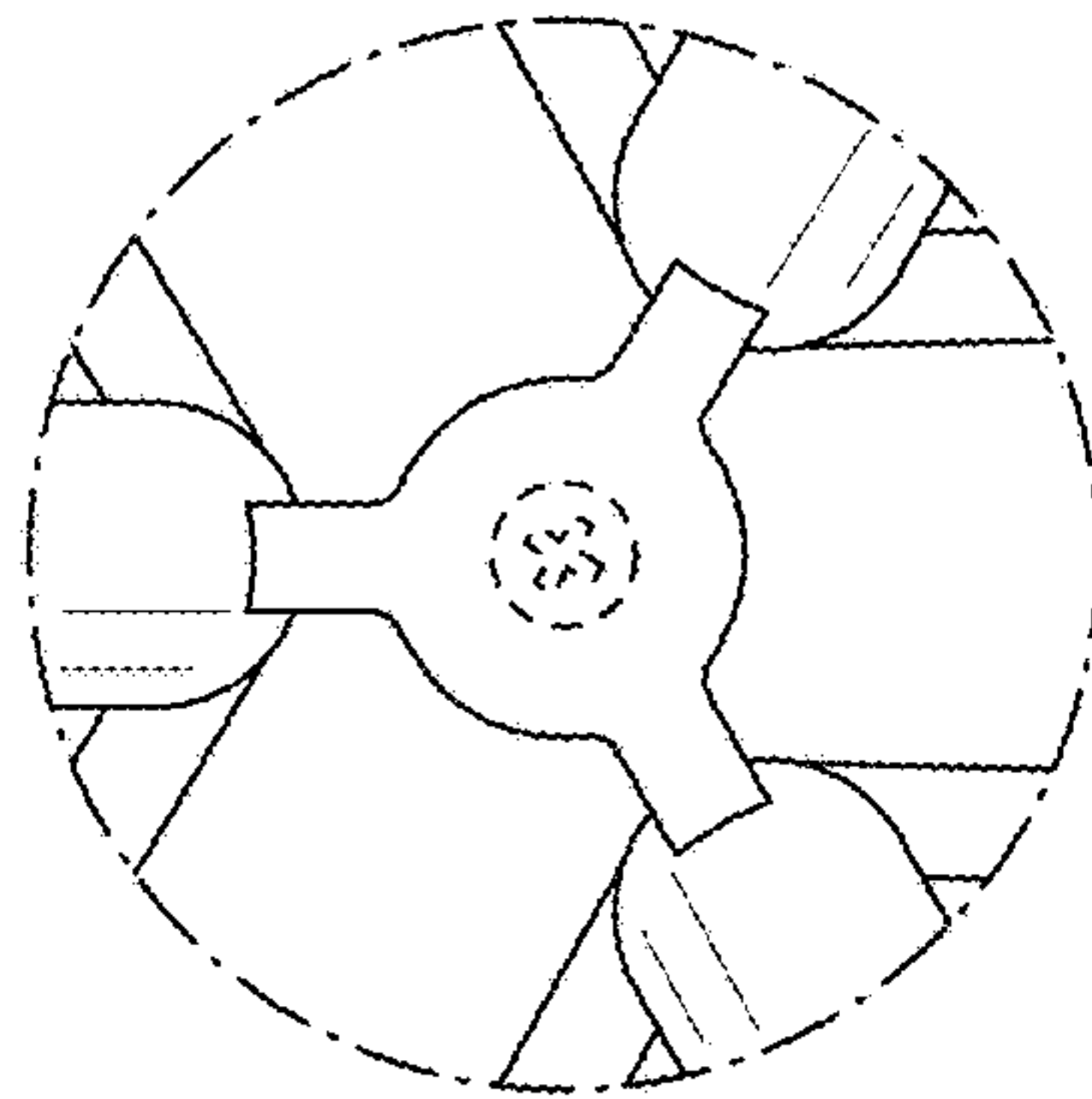


FIG. 5



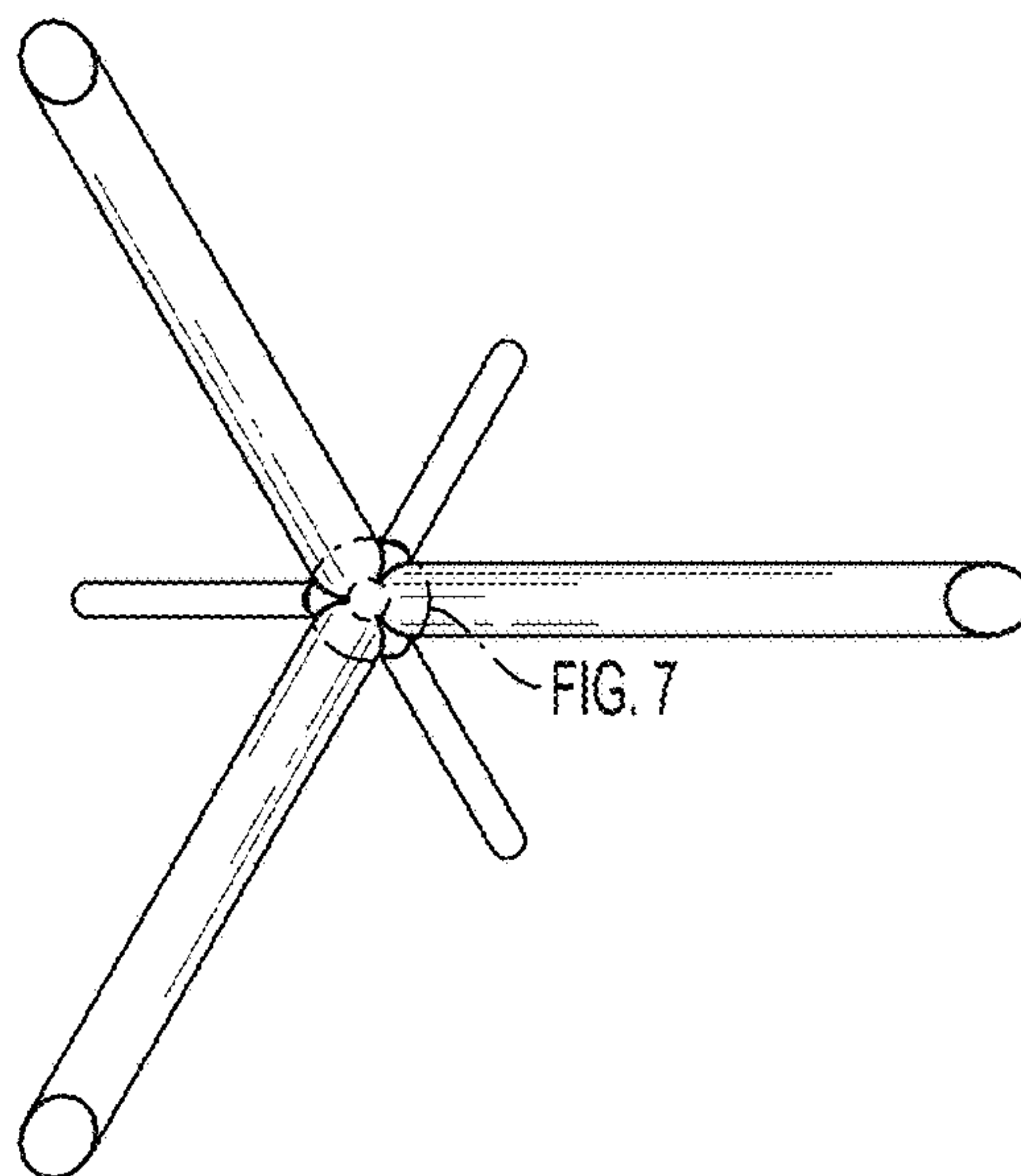


FIG. 6

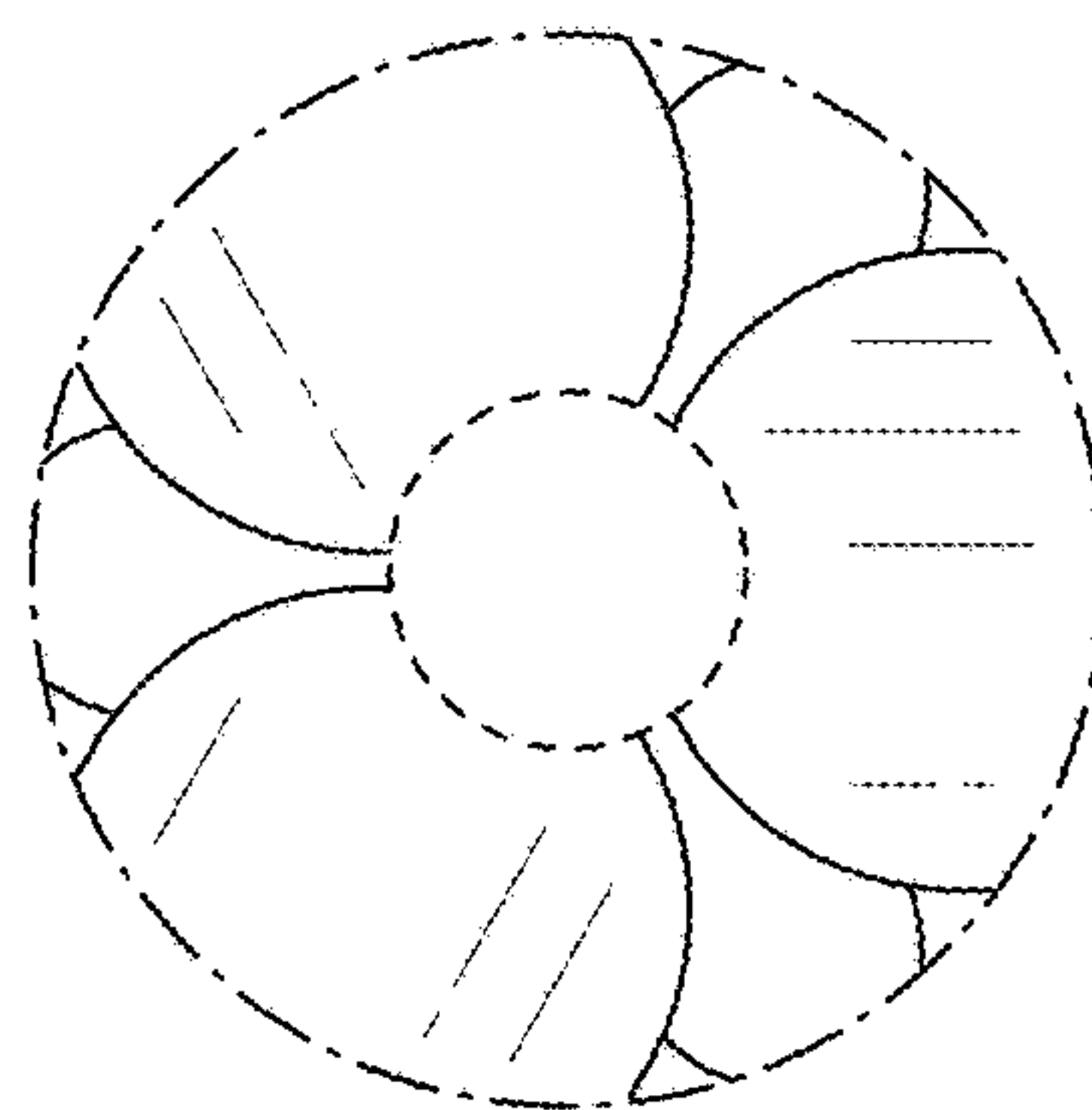


FIG. 7