



US00D854862S

(12) **United States Design Patent**
King et al.

(10) **Patent No.:** **US D854,862 S**
(45) **Date of Patent:** **** Jul. 30, 2019**

- (54) **HAIR EXTENSION RACK**
- (71) Applicant: **XTENSION STYLER LLC**, Los Angeles, CA (US)
- (72) Inventors: **Devin King**, Los Angeles, CA (US); **Michael Donehoo**, Los Angeles, CA (US)
- (73) Assignee: **XTENSION STYLER LLC**, Los Angeles, CA (US)
- (**) Term: **15 Years**
- (21) Appl. No.: **29/675,405**
- (22) Filed: **Dec. 31, 2018**
- (51) **LOC (11) Cl.** **06-06**
- (52) **U.S. Cl.**
USPC **D6/675**
- (58) **Field of Classification Search**
USPC D6/315, 512, 515, 672, 675, 682, 682.1, 682.2, 682.3, 682.4; D3/273, D3/293-294; D28/9-10, 73, 76
CPC A45D 2001/002; A45D 8/34; A45D 44/02; A45D 44/16; A45D 44/04
See application file for complete search history.

- D818,748 S * 5/2018 Stewart D6/682.2
 - D828,624 S * 9/2018 Tokko D28/10
 - 2006/0289368 A1* 12/2006 Abney A45D 44/06
211/13.1
 - 2013/0104922 A1* 5/2013 Hall A45D 44/04
132/200
 - 2014/0191634 A1 7/2014 Smiley
 - 2015/0257515 A1 9/2015 Bernard
 - 2015/0351562 A1* 12/2015 Kebreau A47F 7/065
211/30
 - 2019/0029444 A1* 1/2019 Valiulis A47F 5/0861
- * cited by examiner

Primary Examiner — Kelley A Donnelly
(74) *Attorney, Agent, or Firm* — Narek Zohrabyan

(57) **CLAIM**

The ornamental design for an hair extension rack, as shown and described.

DESCRIPTION

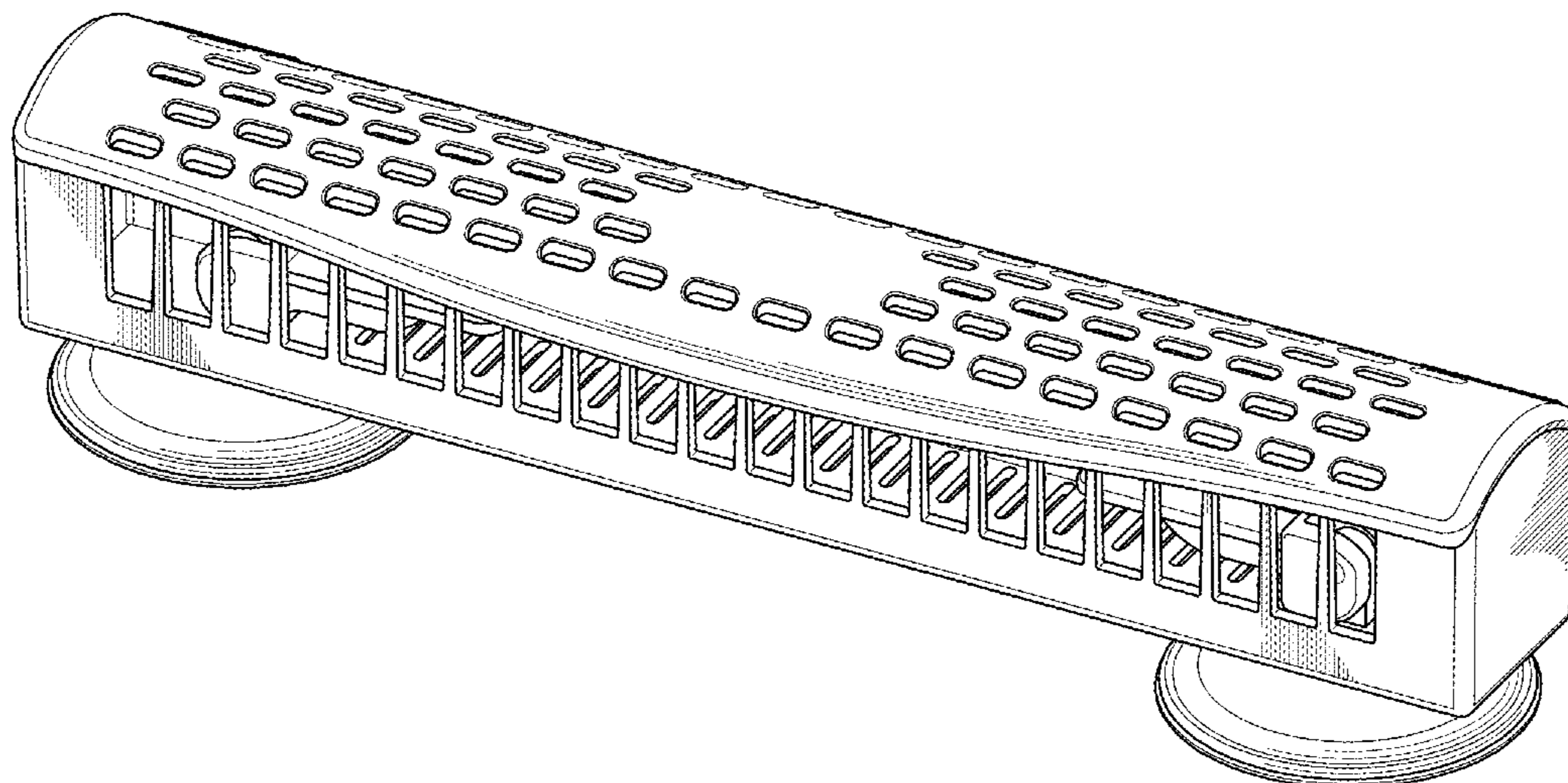
FIG. 1—Top, front, right side perspective view of a hair extension rack;
 FIG. 2—Left side elevation view, the right side elevation view being a mirror image;
 FIG. 3—Front elevation view;
 FIG. 4—Rear elevation view;
 FIG. 5—Top plan view;
 FIG. 6—Bottom plan view;
 FIG. 7—Cross-section view taken along line 7-7 of FIG. 3;
 FIG. 8—Top, front, right side perspective view with the lid in an alternate position;
 FIG. 9—Top, rear, left side perspective view with the lid in an alternate position; and,
 FIG. 10—Top plan view with the lid in an alternate position.
 The broken lines shown are included for the purpose of illustrating the unclaimed portions of the hair extension rack and form no part of the claim.

1 Claim, 6 Drawing Sheets

(56) **References Cited**

U.S. PATENT DOCUMENTS

- D285,398 S * 9/1986 Winters D6/525
- D418,702 S * 1/2000 Mansel D6/515
- D457,024 S * 5/2002 Gratiot D6/682.2
- D621,625 S * 8/2010 Sharp D6/315
- D637,709 S * 5/2011 Brede D24/107
- D651,031 S * 12/2011 Kozak D6/566
- D679,831 S * 4/2013 Greenizen D24/227
- D752,293 S * 3/2016 Lee D28/93
- D768,337 S * 10/2016 Treb D28/10
- D793,088 S * 8/2017 Ou D3/315



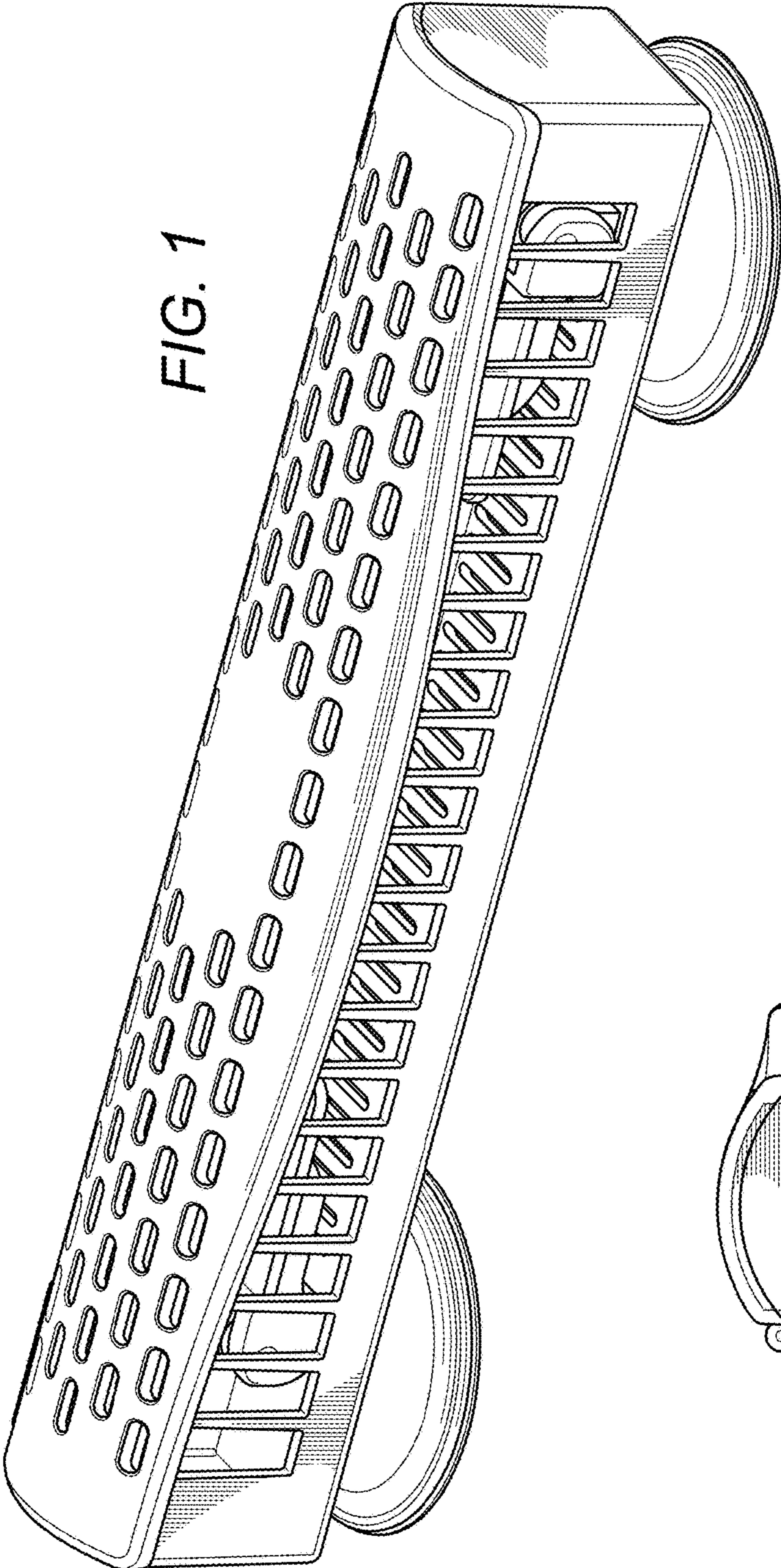


FIG. 1

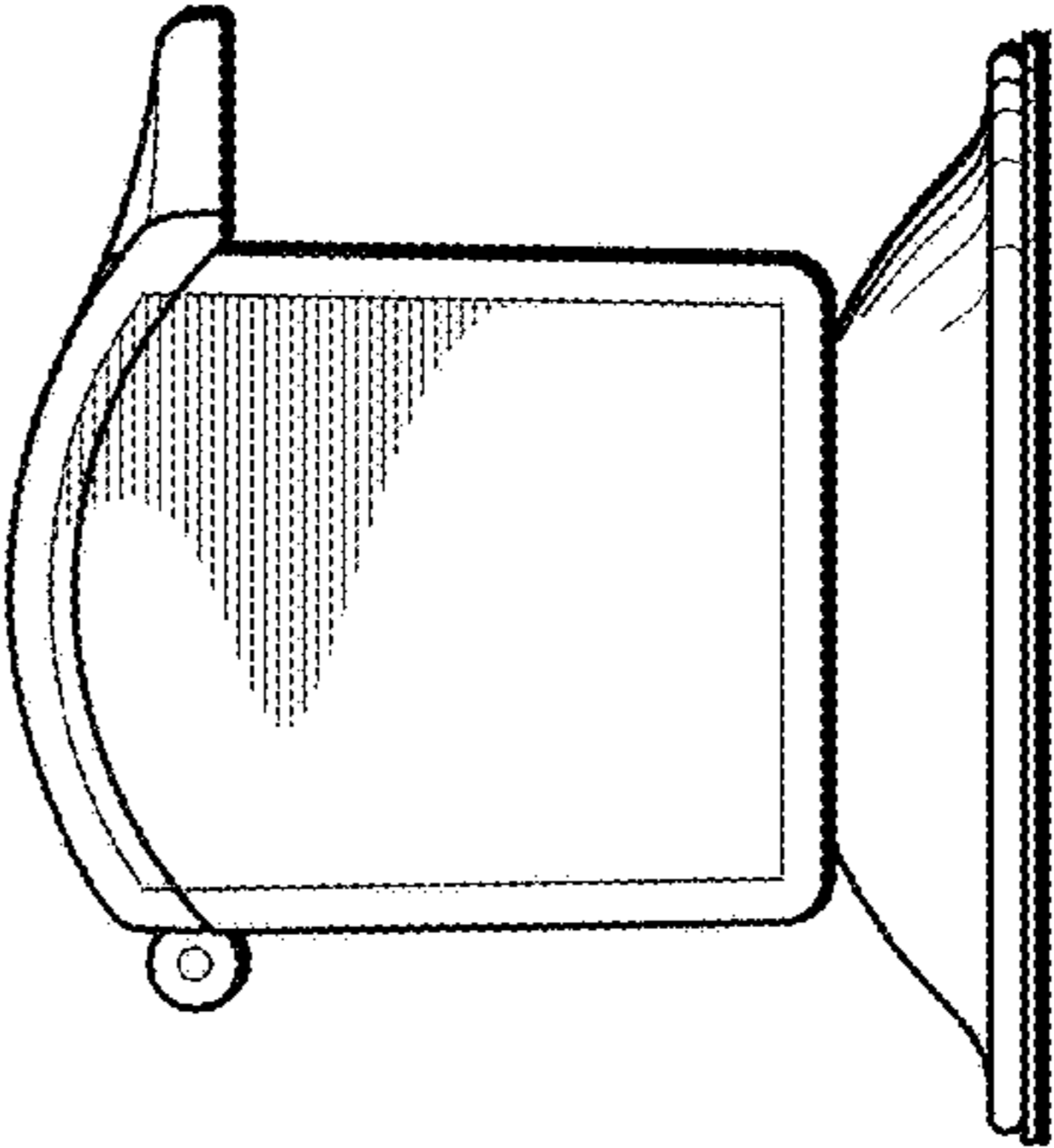


FIG. 2

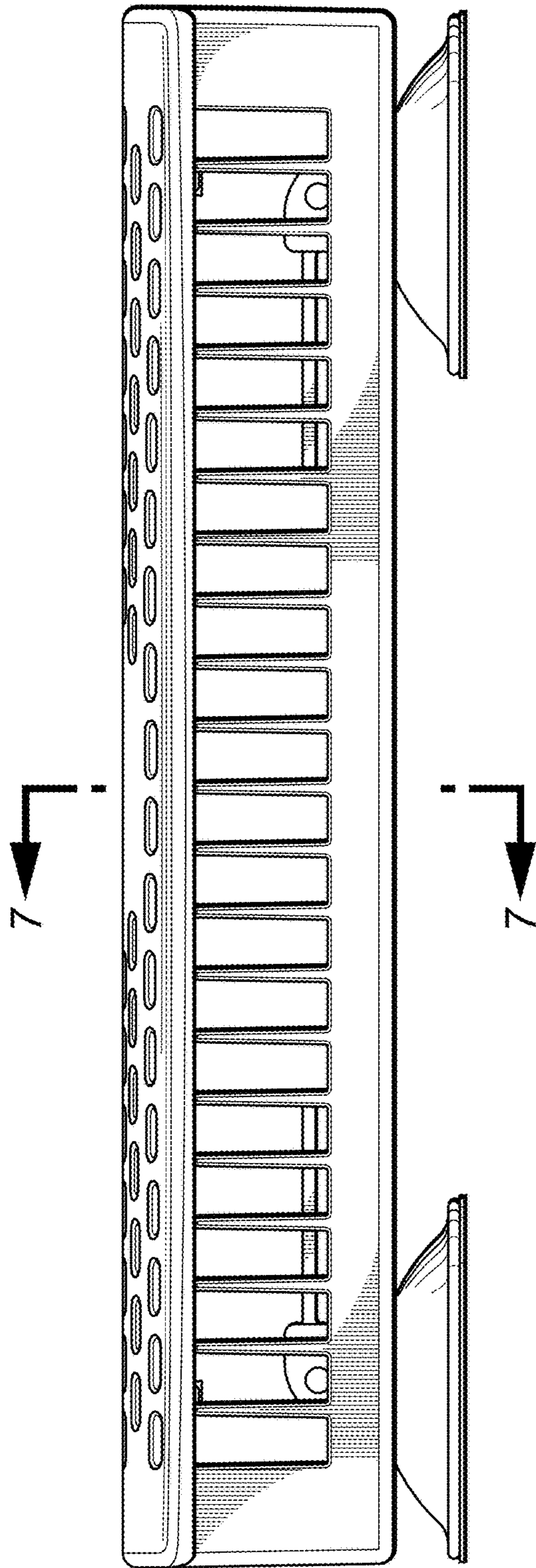


FIG. 3

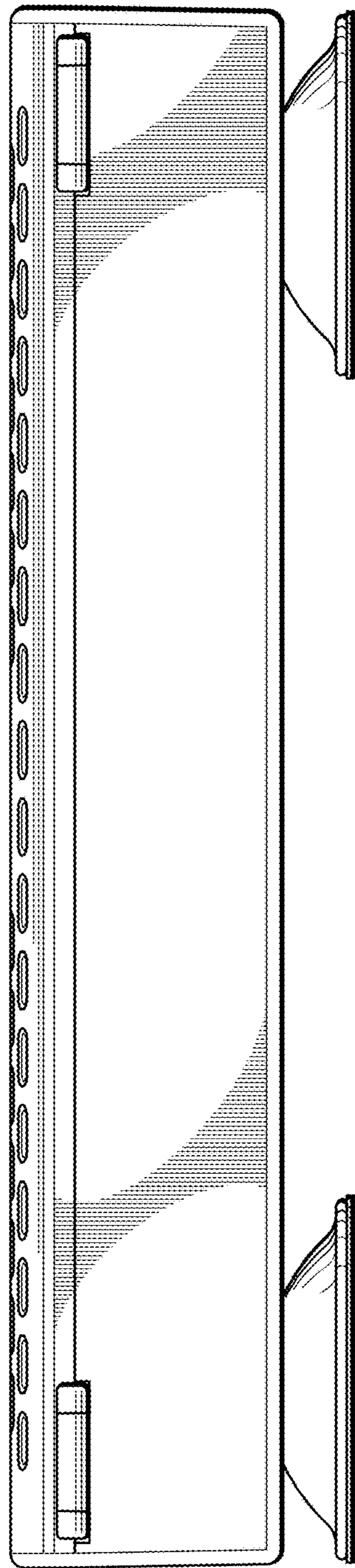


FIG. 4

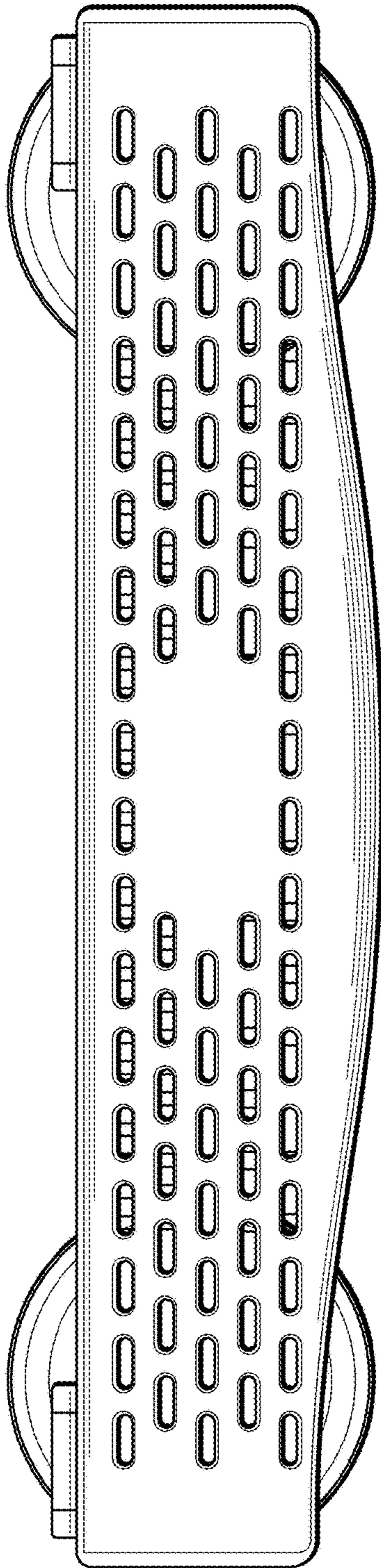


FIG. 5

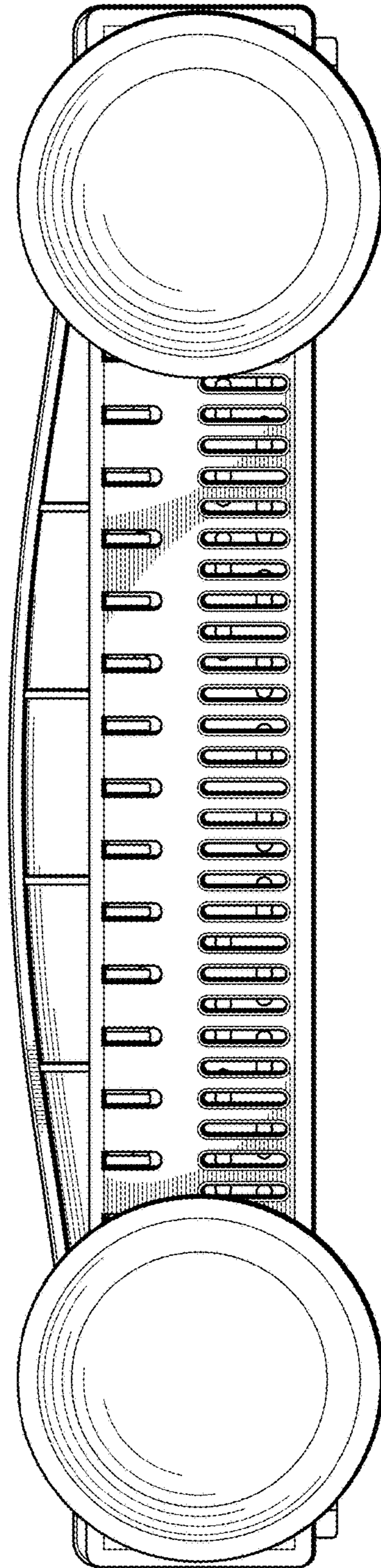


FIG. 6

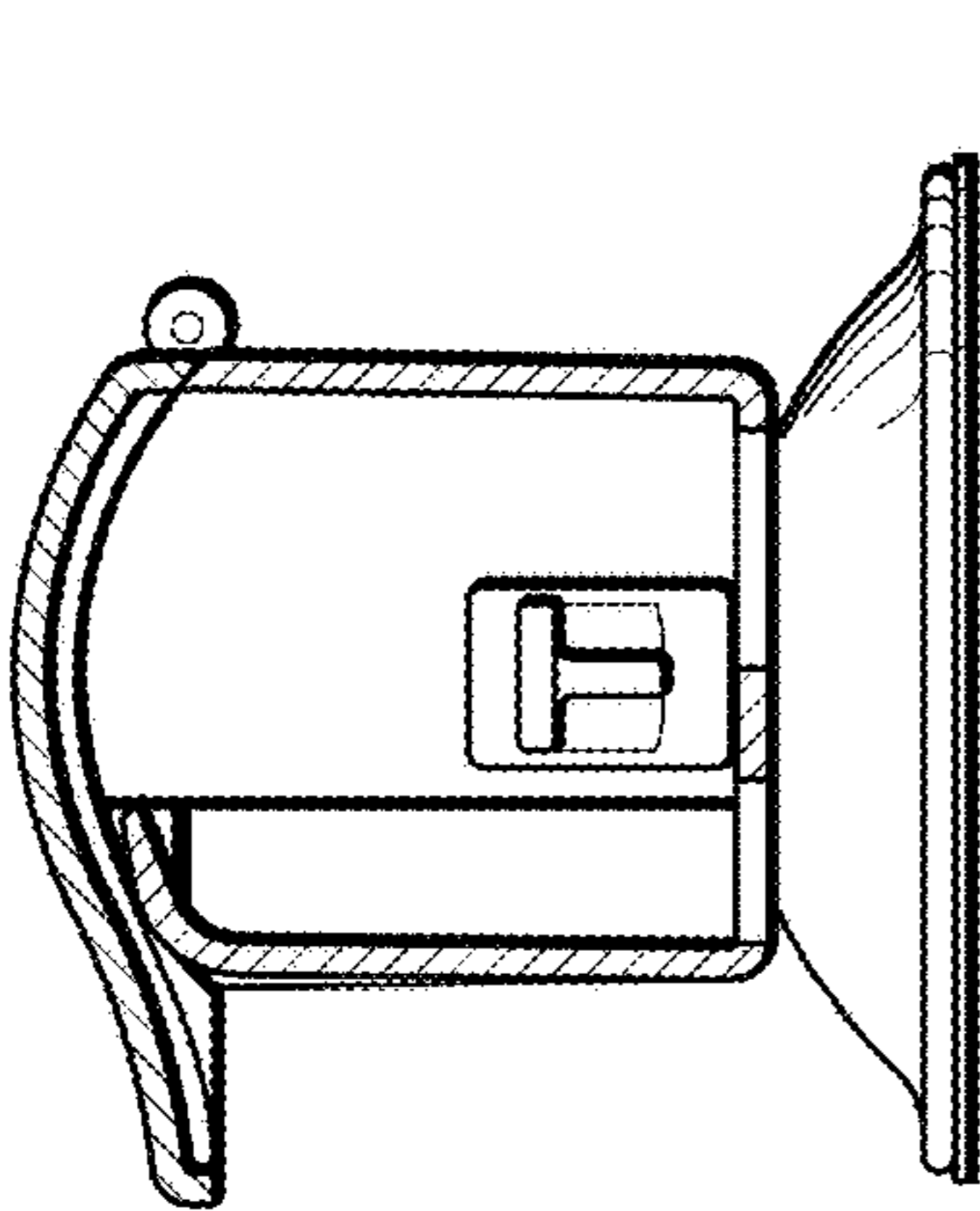


FIG. 7

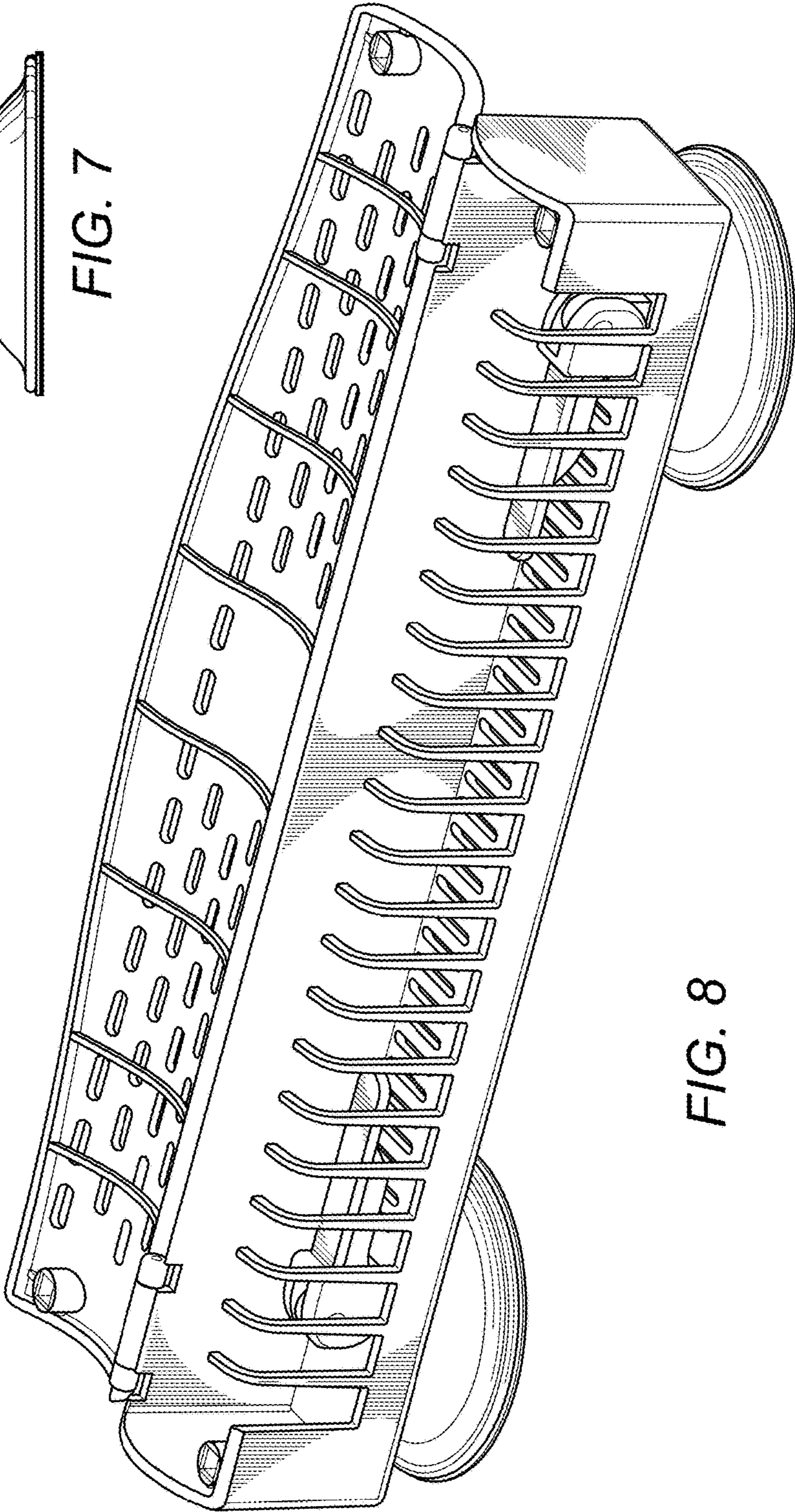


FIG. 8

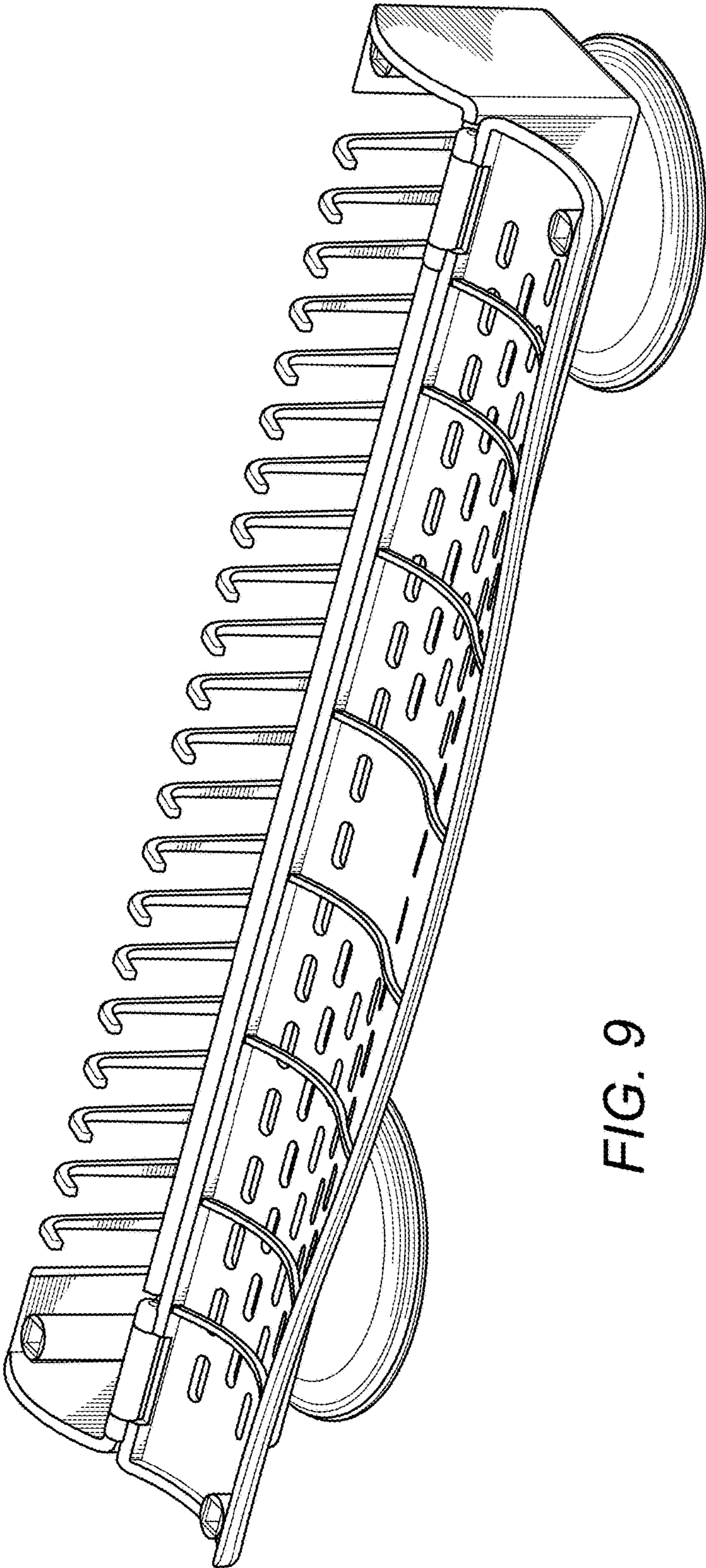


FIG. 9

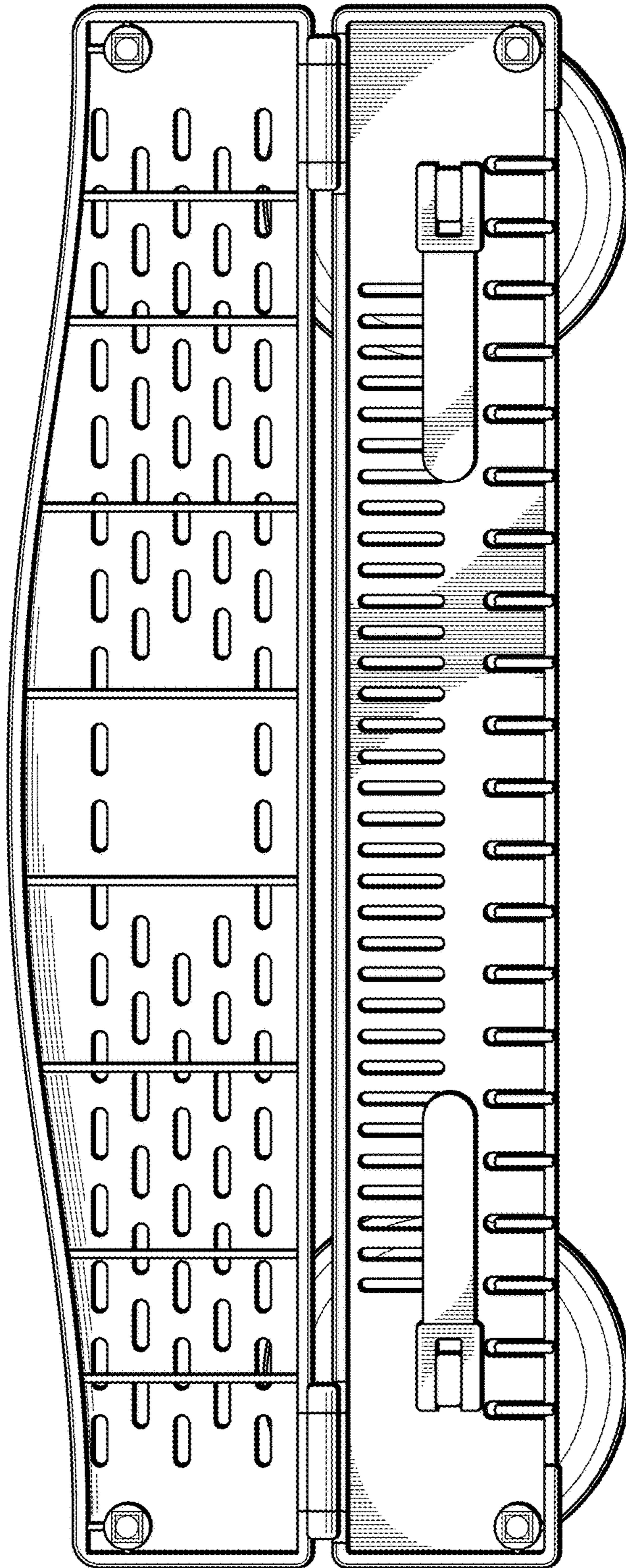


FIG. 10