



US00D854861S

(12) **United States Design Patent** (10) **Patent No.:** **US D854,861 S**  
**Lee et al.** (45) **Date of Patent:** **\*\* Jul. 30, 2019**

(54) **HEIGHT ADJUSTABLE DESK**  
(71) Applicants: **Juyoun Lee**, Seoul (KR); **Gaphyun Lee**, Seoul (KR)  
(72) Inventors: **Juyoun Lee**, Seoul (KR); **Gaphyun Lee**, Seoul (KR)  
(\*\*) Term: **15 Years**

D769,881 S \* 10/2016 Lazzi ..... D14/452  
D787,237 S \* 5/2017 Bowman ..... D6/656.15  
D791,776 S \* 7/2017 Monsalve ..... D14/447  
D812,066 S \* 3/2018 Lazzi ..... D14/447  
9,993,071 B2 \* 6/2018 Hung ..... A47B 21/02  
10,004,327 B2 \* 6/2018 McRorie, III ..... A47B 21/02  
D829,023 S \* 9/2018 Gu ..... D6/656.15  
D837,223 S \* 1/2019 Wu ..... D14/451  
D841,014 S \* 2/2019 Laudadio ..... D14/447  
2018/0228279 A1 \* 8/2018 Guzman ..... A47B 9/14

(21) Appl. No.: **29/634,005**

(22) Filed: **Jan. 17, 2018**

(30) **Foreign Application Priority Data**

Dec. 14, 2017 (KR) ..... 30-2017-0059346

(51) **LOC (11) Cl.** ..... **06-03**

(52) **U.S. Cl.**  
USPC ..... **D6/656; D14/447; D6/656.15**

(58) **Field of Classification Search**  
USPC ..... D6/652, 654, 654.1, 654.17, 655, 655.1, D6/655.11, 655.13, 655.14, 655.17, D6/655.18, 656, 656.12, 656.13, 656.15, D6/656.16, 656.17, 656.19, 675, 684, D6/686, 687, 688, 691, 698, 707.19, D6/708.21; D14/446, 447, 451, 452  
CPC .. A47B 3/00; A47B 3/08; A47B 3/083; A47B 3/087; A47B 21/00; A47B 21/02; A47B 21/03; A47B 21/06; A47B 21/0073; A47B 21/0076; A47B 21/0314  
See application file for complete search history.

(56) **References Cited**

**U.S. PATENT DOCUMENTS**

D649,552 S \* 11/2011 Huang ..... F16M 11/08  
D14/452  
D709,896 S \* 7/2014 McKinstry ..... D14/447

**OTHER PUBLICATIONS**

Gaze Desk, posted at Youtube.com, posted on Nov. 22, 2017, site visited Feb. 21, 2019. online, available from internet: <https://www.youtube.com/watch?v=5aaXz-JQiCU> (Year: 2017).\*

\* cited by examiner

*Primary Examiner* — Mary Ann Calabrese  
*Assistant Examiner* — Catherine Ho  
(74) *Attorney, Agent, or Firm* — Novick, Kim & Lee, PLLC; Sang Ho Lee; Hyun Woo Shin

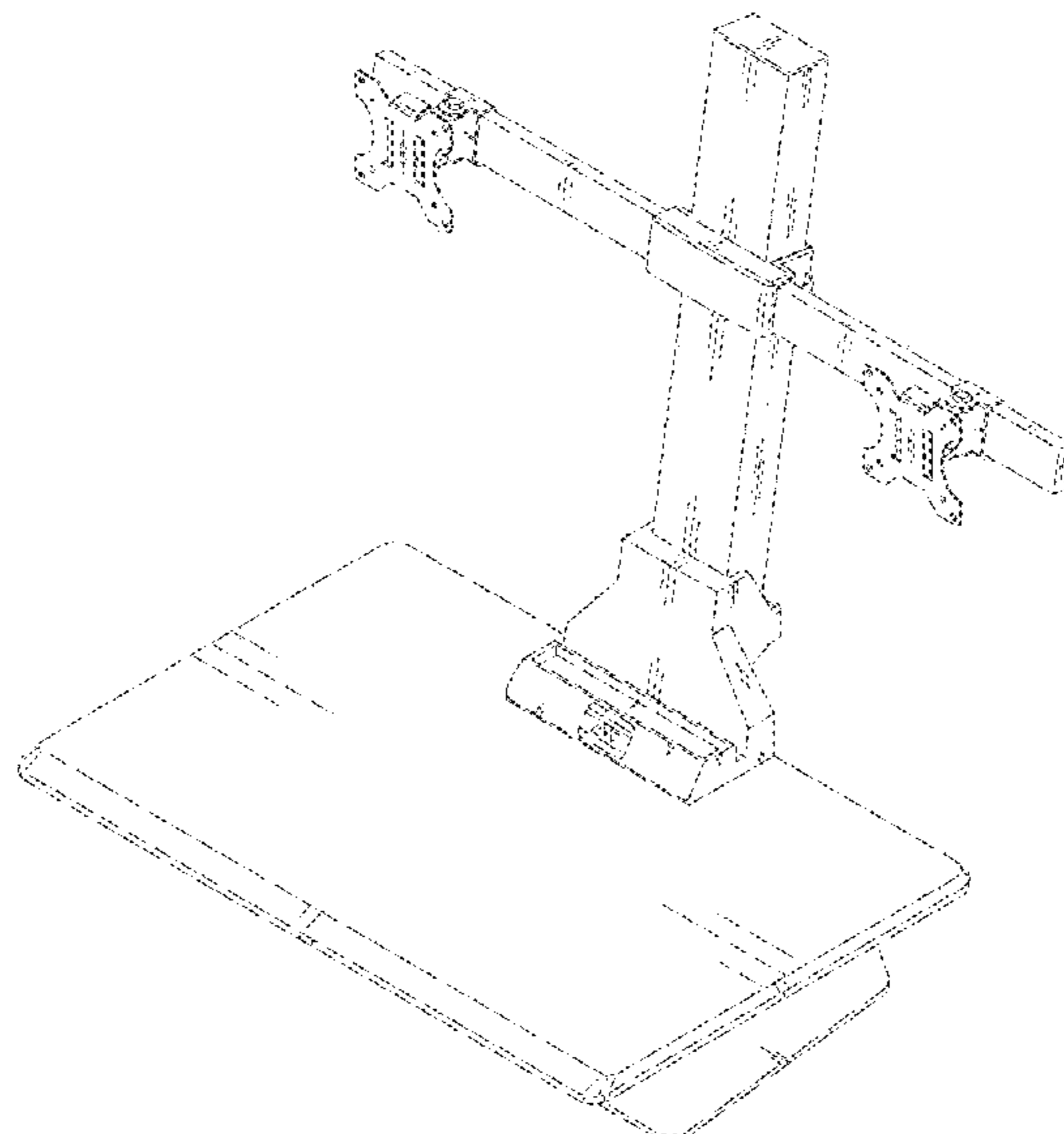
(57) **CLAIM**

We claim the ornamental design for a height adjustable desk, as shown and described.

**DESCRIPTION**

FIG. 1 is a perspective view of a height adjustable desk, showing our new design;  
FIG. 2 is a front elevational view thereof;  
FIG. 3 is a rear elevational view thereof;  
FIG. 4 is a left side elevational view thereof;  
FIG. 5 is a right side elevational view thereof;  
FIG. 6 is a top plan view thereof; and,  
FIG. 7 is a bottom plan view thereof.

**1 Claim, 7 Drawing Sheets**



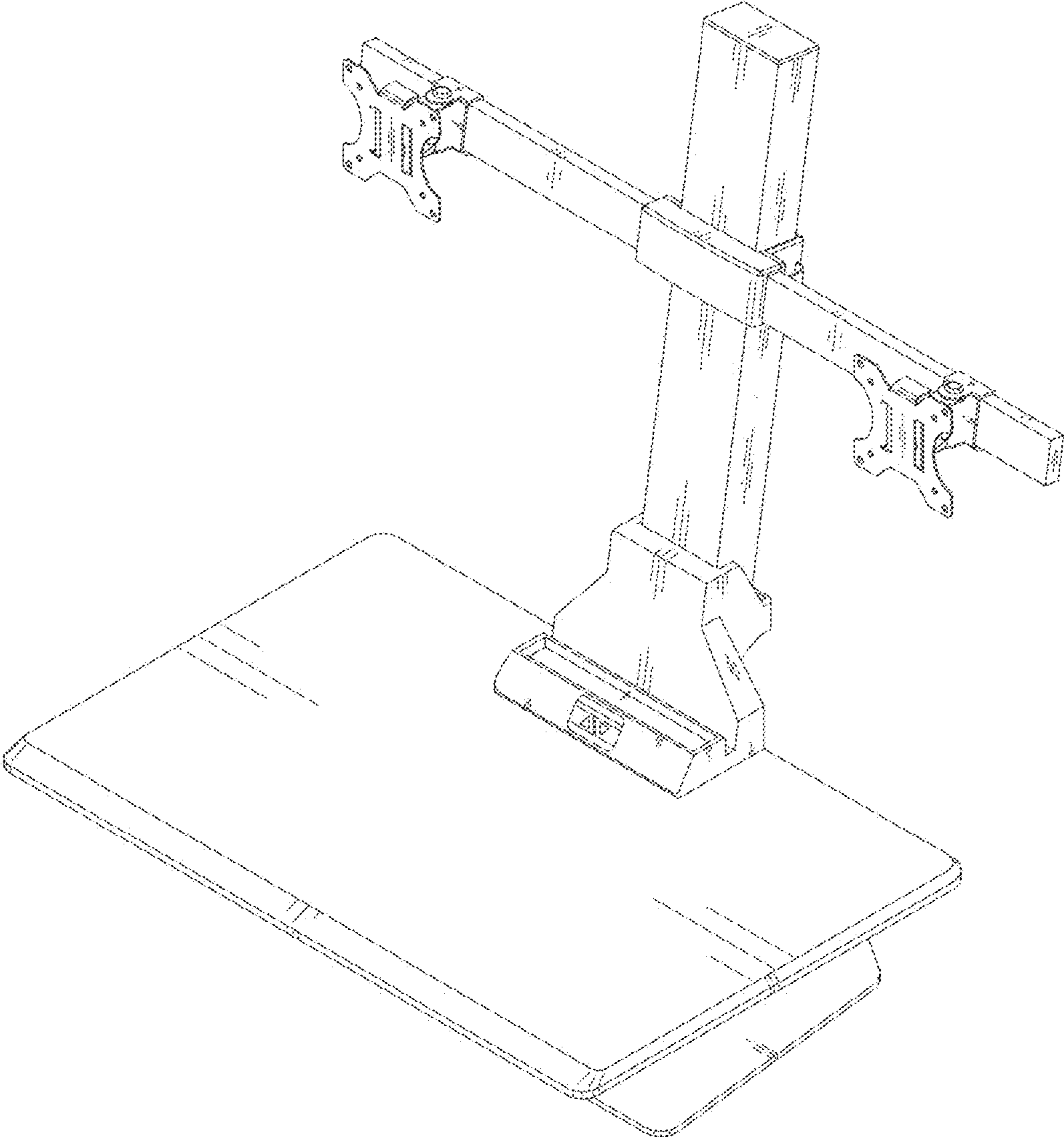


FIG. 1

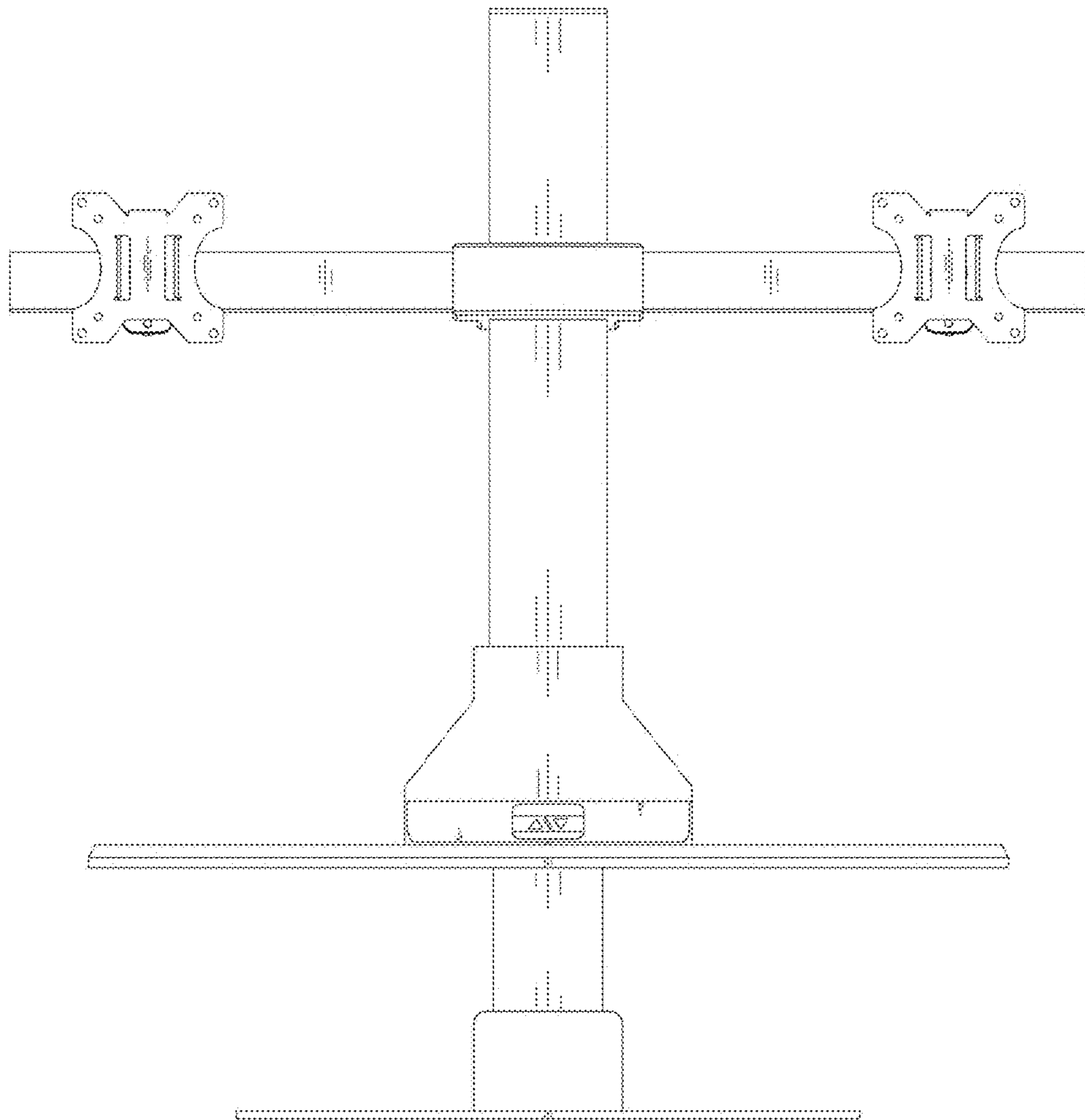


FIG. 2

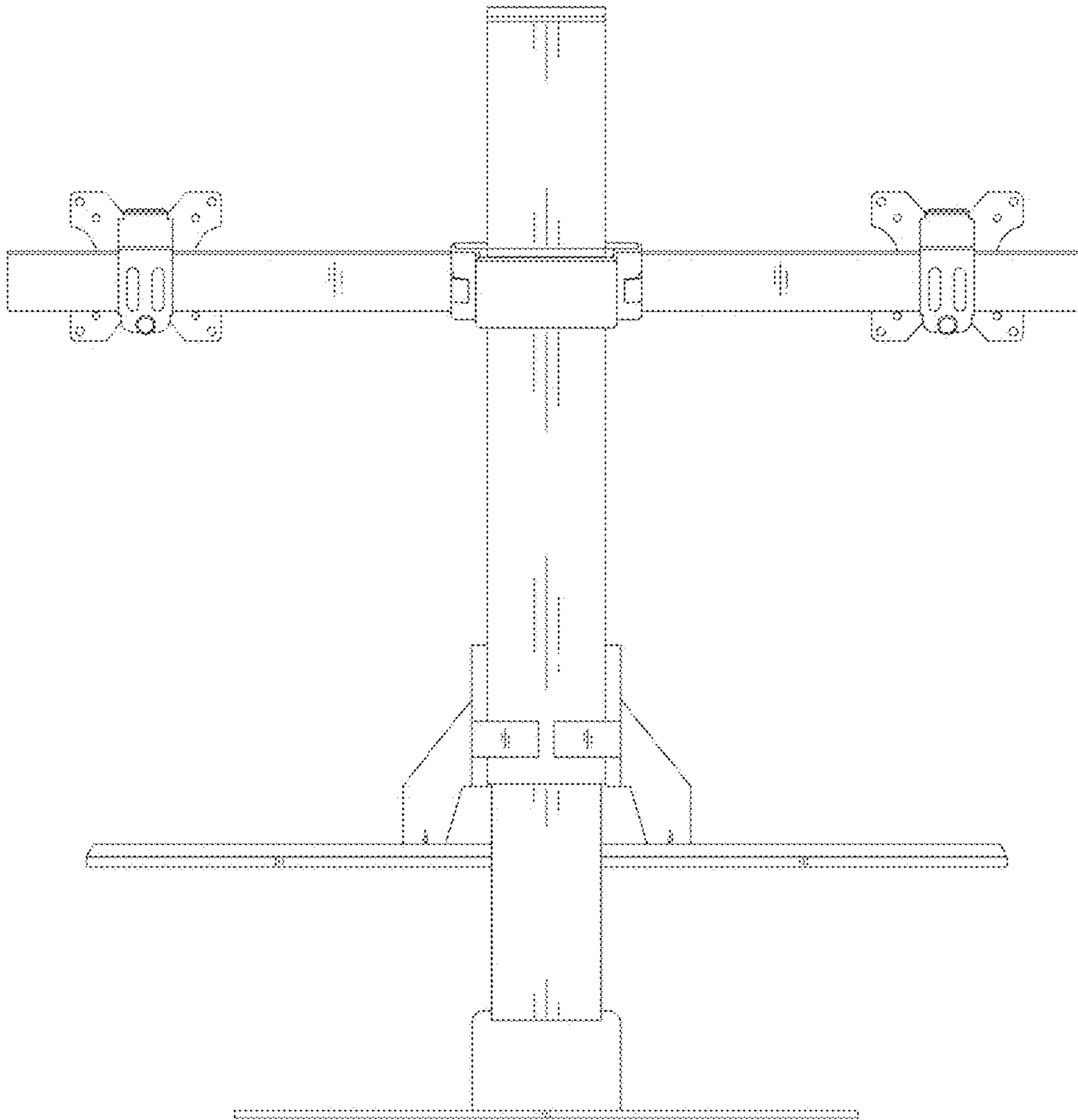


FIG. 3

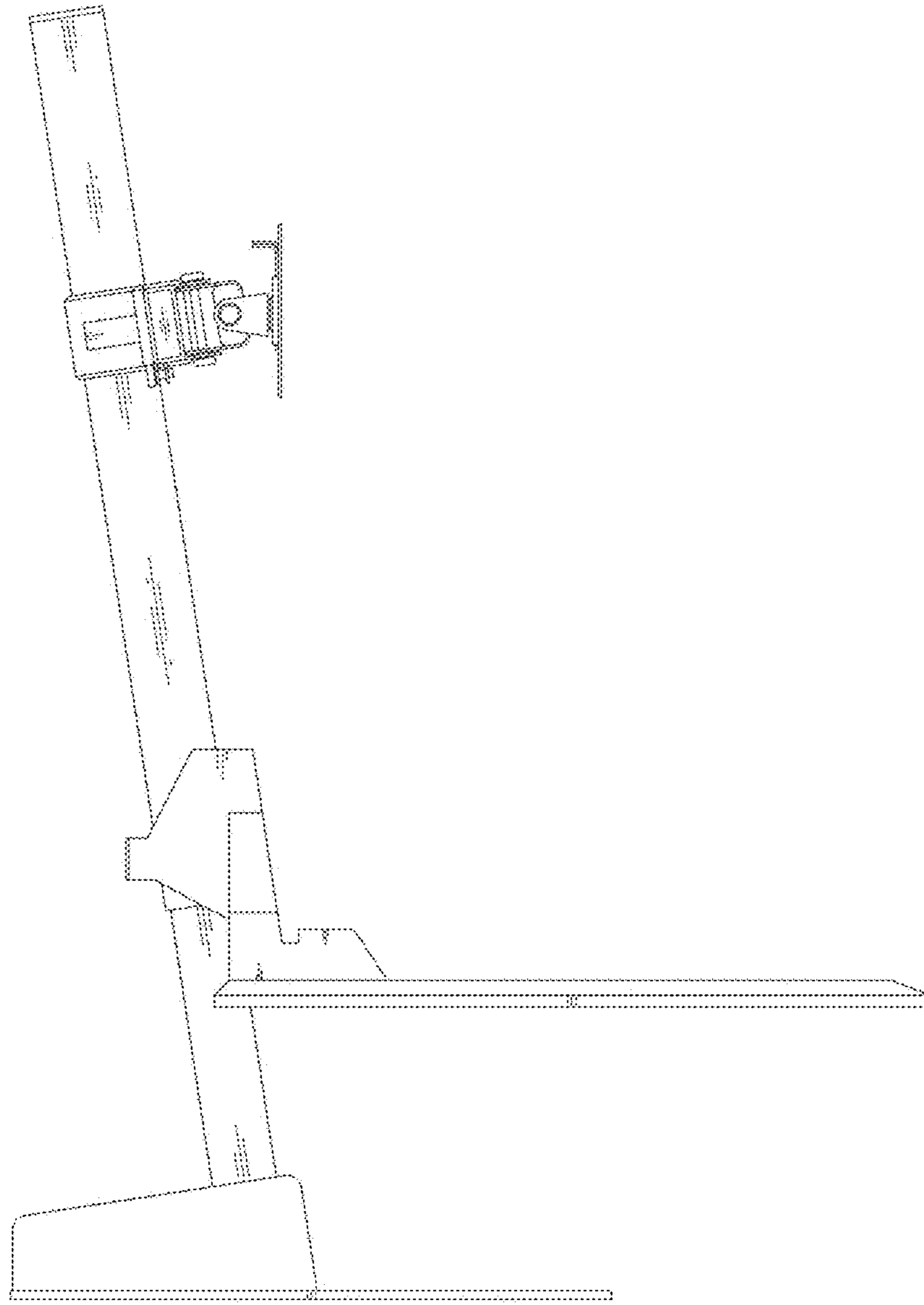


FIG. 4

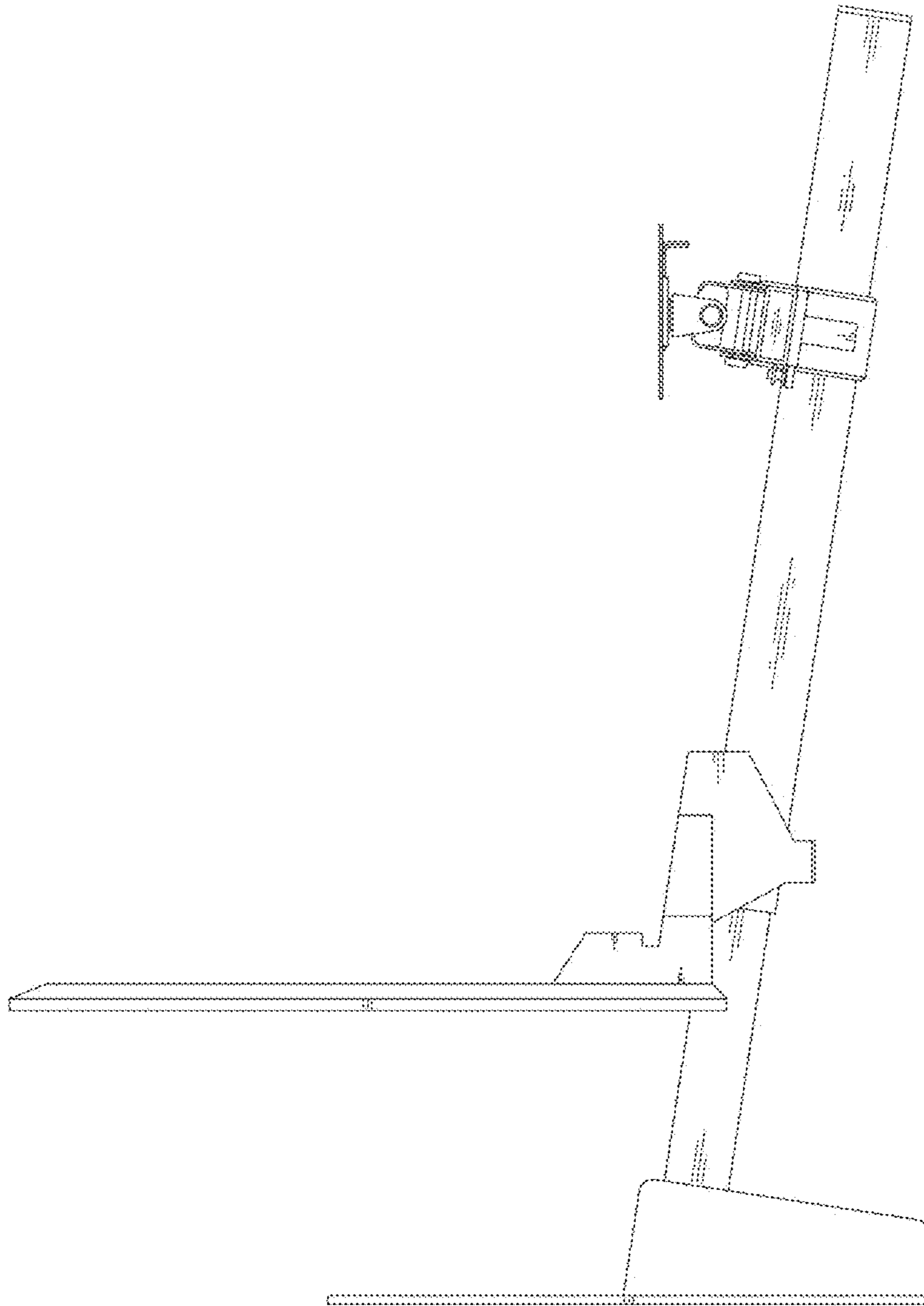


FIG. 5

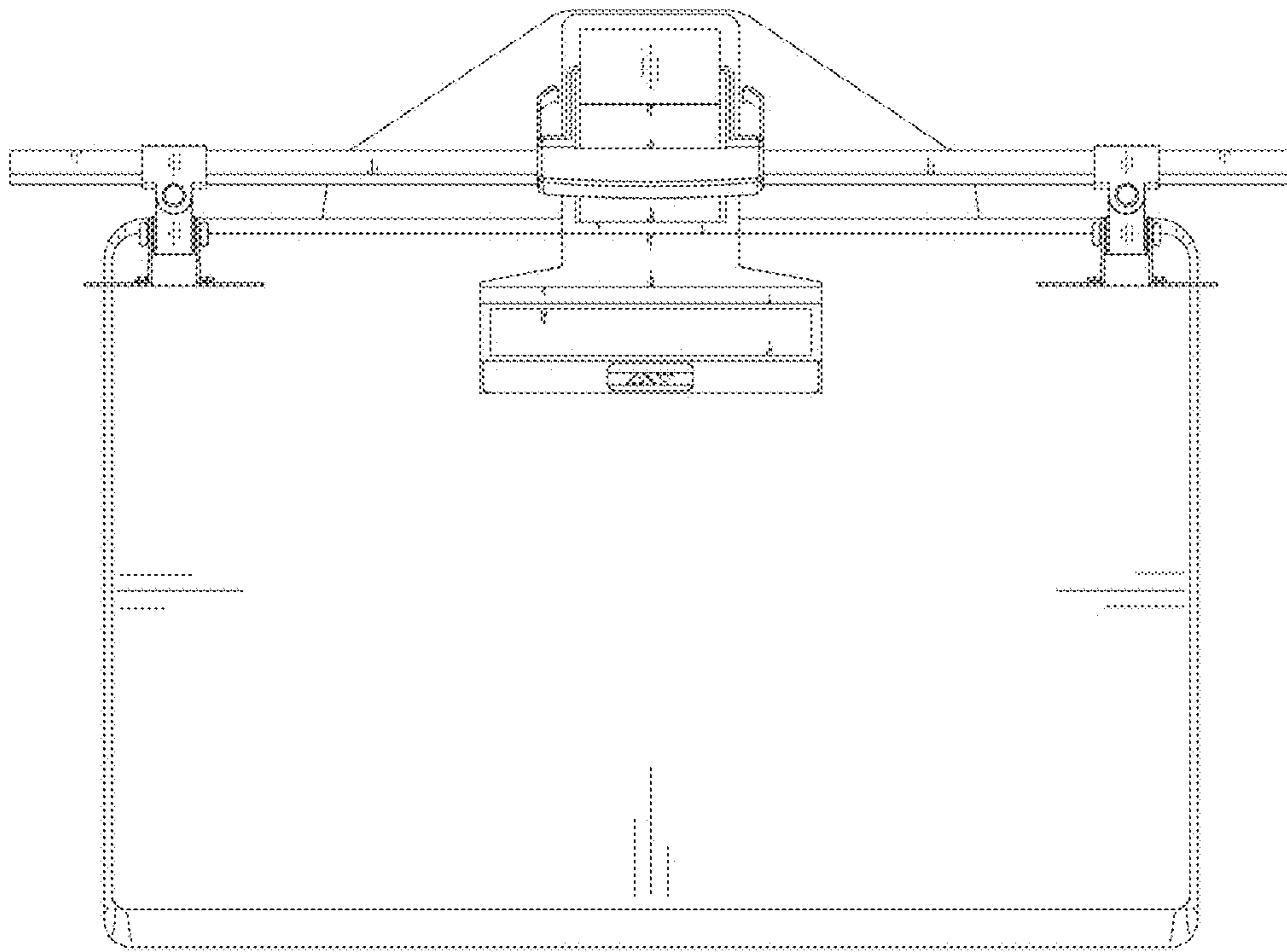


FIG. 6



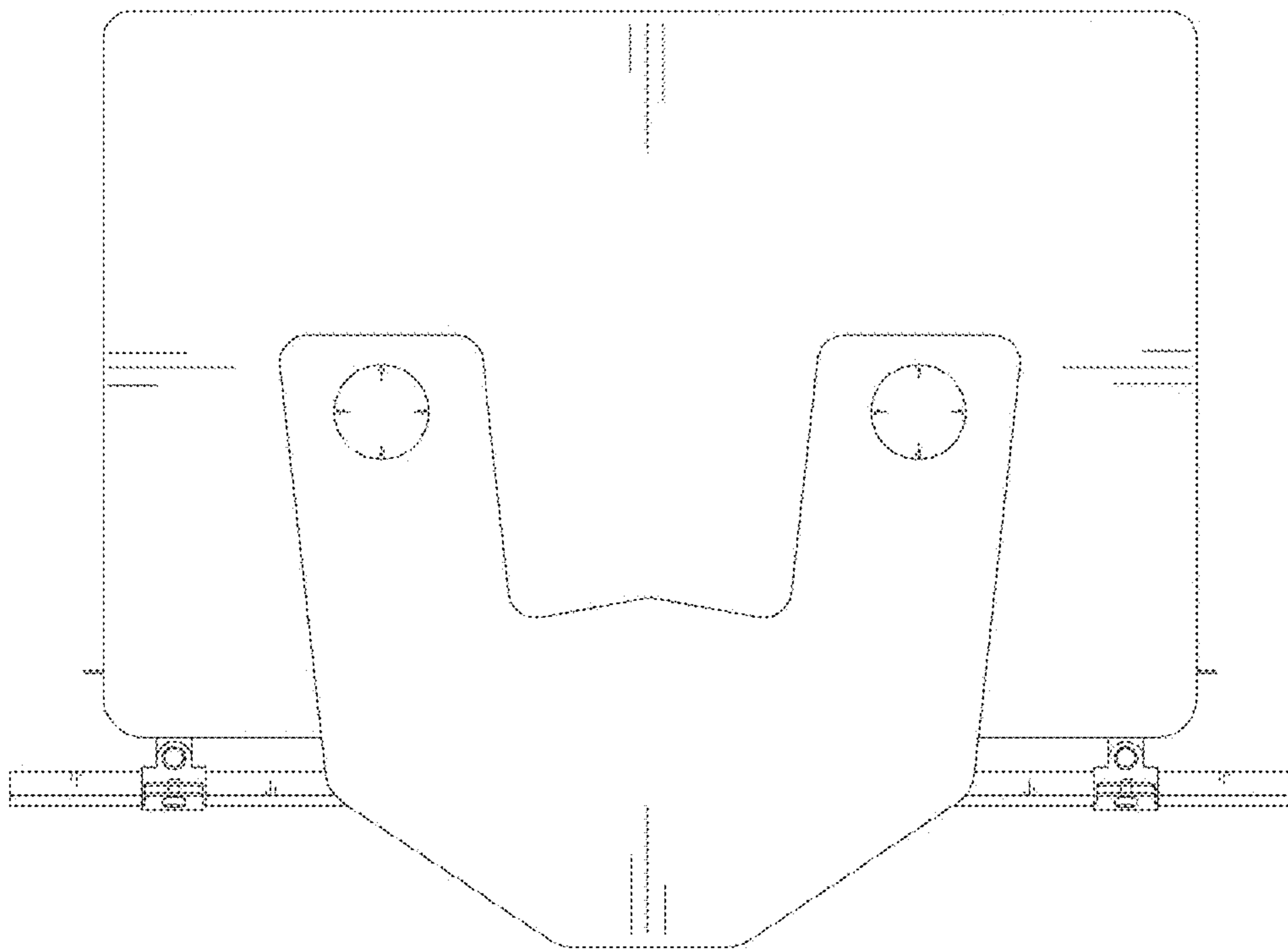


FIG. 7