

US00D854859S

(12) **United States Design Patent**
Rolph et al.

(10) **Patent No.:** **US D854,859 S**
(45) **Date of Patent:** **** Jul. 30, 2019**

- (54) **INFANT PLAY MAT**
- (71) Applicant: **Lovevery, Inc.**, Boise, ID (US)
- (72) Inventors: **Jessica Thacher Crolick Rolph**, Boise, ID (US); **Roderick Neal Morris**, Boise, ID (US); **Seth Thomas Murray**, Boise, ID (US)
- (73) Assignee: **Lovevery, Inc.**, Boise, ID (US)
- (**) Term: **15 Years**
- (21) Appl. No.: **29/619,793**
- (22) Filed: **Oct. 2, 2017**
- (51) **LOC (11) Cl.** **06-11**
- (52) **U.S. Cl.**
USPC **D6/592**; D6/331; D6/382
- (58) **Field of Classification Search**
USPC D6/331, 333, 582-588, 591, 592, 596, D6/601, 608; D7/551.1; D19/10; D21/334, 792; D24/212; D30/129, 161; D25/113
CPC A47D 15/003; A47G 27/00; A47G 27/02; A47G 27/0206; A47G 27/0212; A47G 27/0218; A47G 27/0225; A47G 27/0231; A47G 27/0237; A47G 27/0275; A47G 27/0293; A47G 9/062; A47K 3/002; A63B 6/00; A63H 33/006
See application file for complete search history.

- D366,368 S * 1/1996 McCarthy 5/655
- D388,651 S 1/1998 Graebe
- 5,706,950 A * 1/1998 Houghton A61F 13/84
206/440
- D408,192 S 4/1999 Chiang
- D506,896 S * 7/2005 Merrett D6/583
- D508,181 S * 8/2005 Welch D6/592
- D532,239 S * 11/2006 Oren D6/596

(Continued)

Primary Examiner — Kevin K Rudzinski
Assistant Examiner — Clare Ann Gannon
(74) *Attorney, Agent, or Firm* — Fish & Richardson P.C.

(57) **CLAIM**

The ornamental design for an infant play mat, as shown and described.

DESCRIPTION

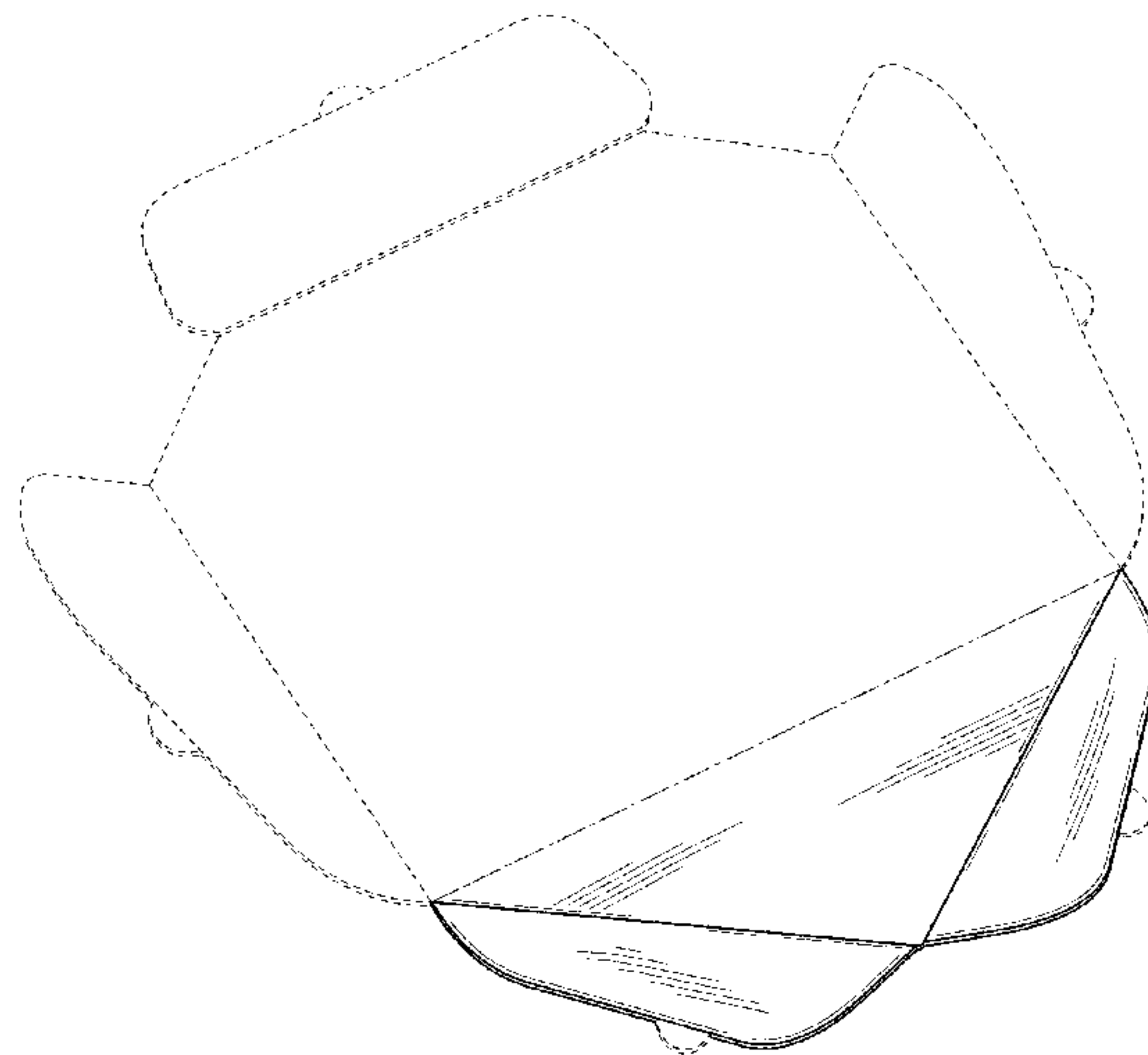
FIG. 1 is a top perspective view of the play mat, showing our new design in an open position.
 FIG. 2 is a top plan view thereof, in a folded position.
 FIG. 3 is a top plan view thereof, in an open position.
 FIG. 4 is a bottom plan view thereof, in a folded position.
 FIG. 5 is a bottom plan view thereof, in an open position.
 FIG. 6 is a front elevational view thereof, in an open position.
 FIG. 7 is a rear elevational view thereof, in an open position.
 FIG. 8 is a right side elevational view thereof, in an open position.
 FIG. 9 is a left side elevational view thereof, in an open position; and,
 FIG. 10 is a left side elevational view thereof, in a folded position.
 The evenly dashed broken lines depict portions of the play mat that form no part of the claimed design. The dot-dash broken lines in FIGS. 1-3 and 5 depict a boundary of the claimed design and form no part of the claimed design.

1 Claim, 6 Drawing Sheets

(56) **References Cited**

U.S. PATENT DOCUMENTS

- D230,117 S * 1/1974 Johnson D6/596
- D270,784 S * 10/1983 Forrester 224/918
- D294,909 S * 3/1988 Donnor D3/233
- D300,688 S * 4/1989 Marks D3/265
- D302,698 S * 8/1989 Rexroat D19/26
- 5,018,229 A * 5/1991 Eberhart A47G 9/062
428/100
- D350,237 S * 9/1994 Kelly D6/333



(56)

References Cited

U.S. PATENT DOCUMENTS

D547,993 S *	8/2007	Oren	D6/582	D787,403 S *	5/2017	Simonsen	A61F 5/485
D558,267 S *	12/2007	Bharma	D19/26					D19/26
7,302,724 B2	12/2007	Solomon et al.			D823,594 S *	7/2018	Newman	D3/203.5
7,500,278 B2 *	3/2009	Leach	A47D 5/006	2003/0182724 A1	10/2003	Zheng		
				5/424	2006/0169691 A1 *	8/2006	Rothschild	A45C 7/0054
7,520,010 B2	4/2009	Welch							220/7
D597,357 S	8/2009	Stewart			2008/0152860 A1 *	6/2008	Meyer	A63B 6/00
D659,190 S *	5/2012	Tao	D19/26					428/100
8,338,658 B1 *	12/2012	Kruger	A61F 5/485	2009/0021902 A1	1/2009	Zheng		
				604/356	2009/0260157 A1 *	10/2009	Gere	A47D 5/006
8,616,932 B2	12/2013	Gelfond et al.							190/1
8,696,400 B2 *	4/2014	Fair	A61F 5/485	2010/0144237 A1	6/2010	Wilkins		
				D3/265	2010/0219221 A1	9/2010	Zheng		
8,968,048 B2	3/2015	Oren et al.			2010/0285925 A1 *	11/2010	Pierce	A63B 6/00
9,011,196 B2 *	4/2015	Weisman	A47G 9/062					D6/596
				428/100	2012/0020586 A1	1/2012	Gilbert		
D739,161 S *	9/2015	Seymour	A61F 13/84	2014/0194031 A1	7/2014	Tobias		
				206/440	2015/0013065 A1 *	1/2015	Ketcham	A47G 9/062
9,155,974 B2	10/2015	Fair et al.							D19/26
D777,573 S *	1/2017	Zigah	A63B 6/00	2016/0101369 A1	4/2016	Austern		
				D19/26	2018/0160834 A1 *	6/2018	King	A61F 5/485
									604/356

* cited by examiner

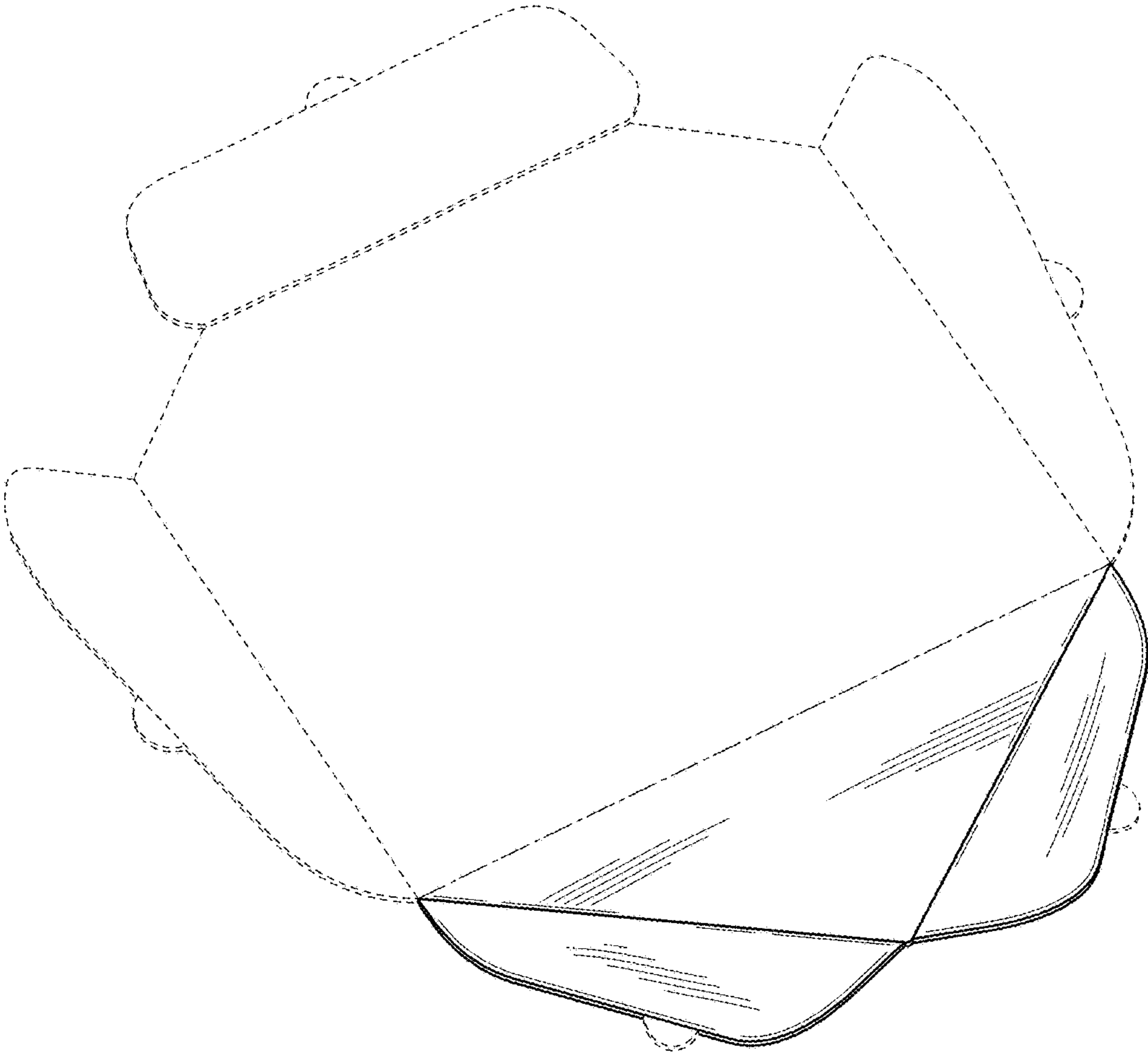


FIG. 1

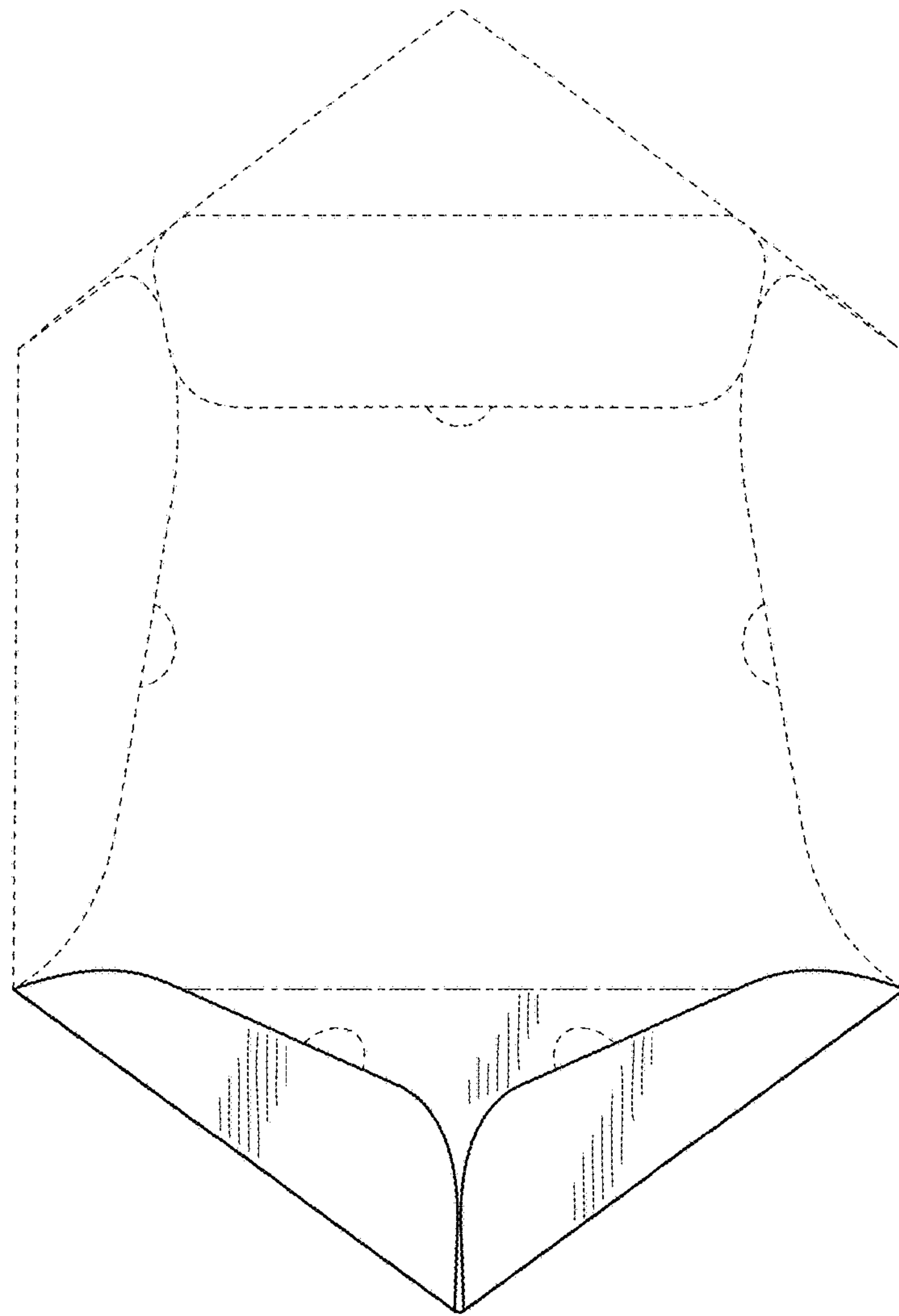


FIG. 2

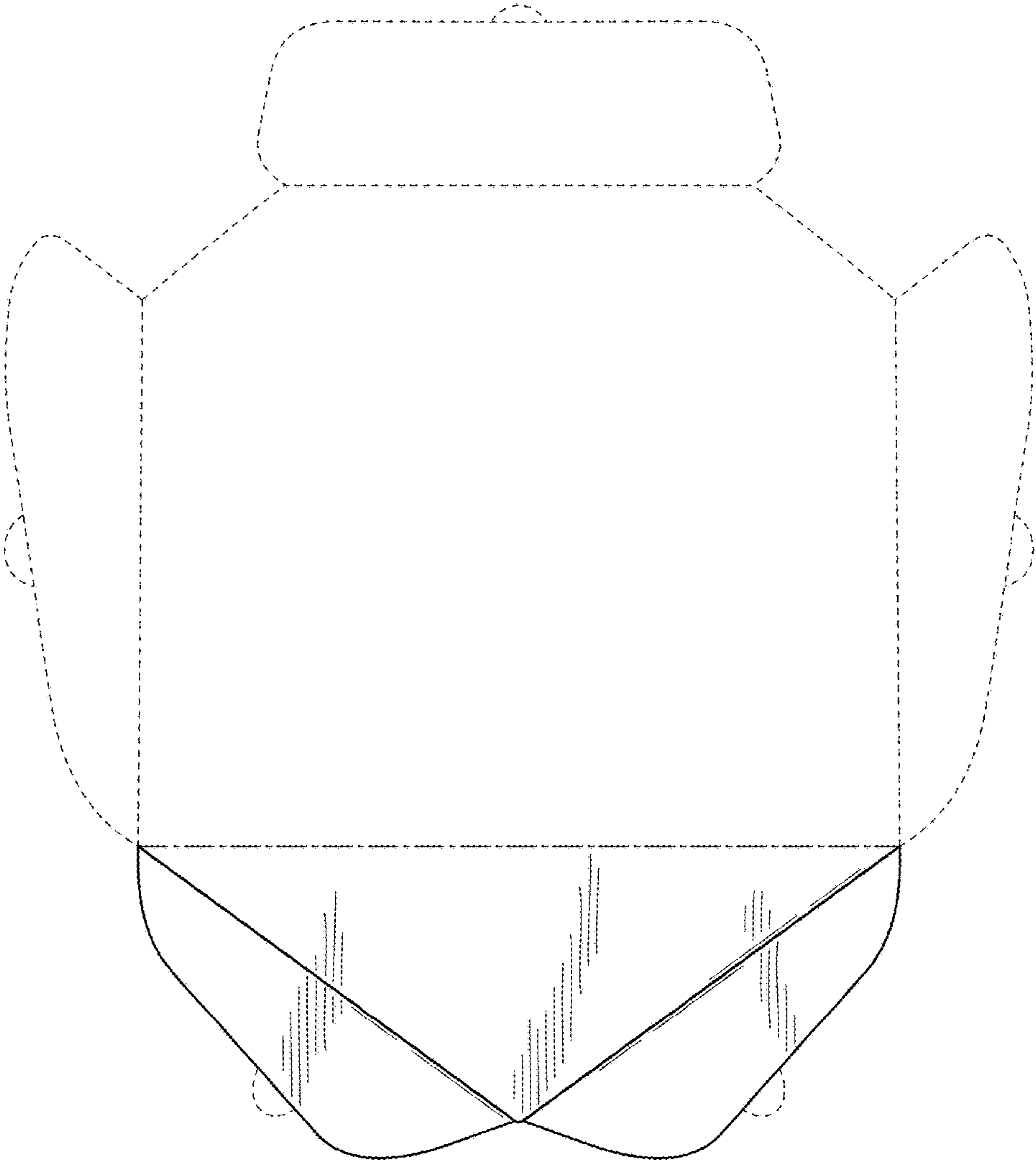


FIG. 3

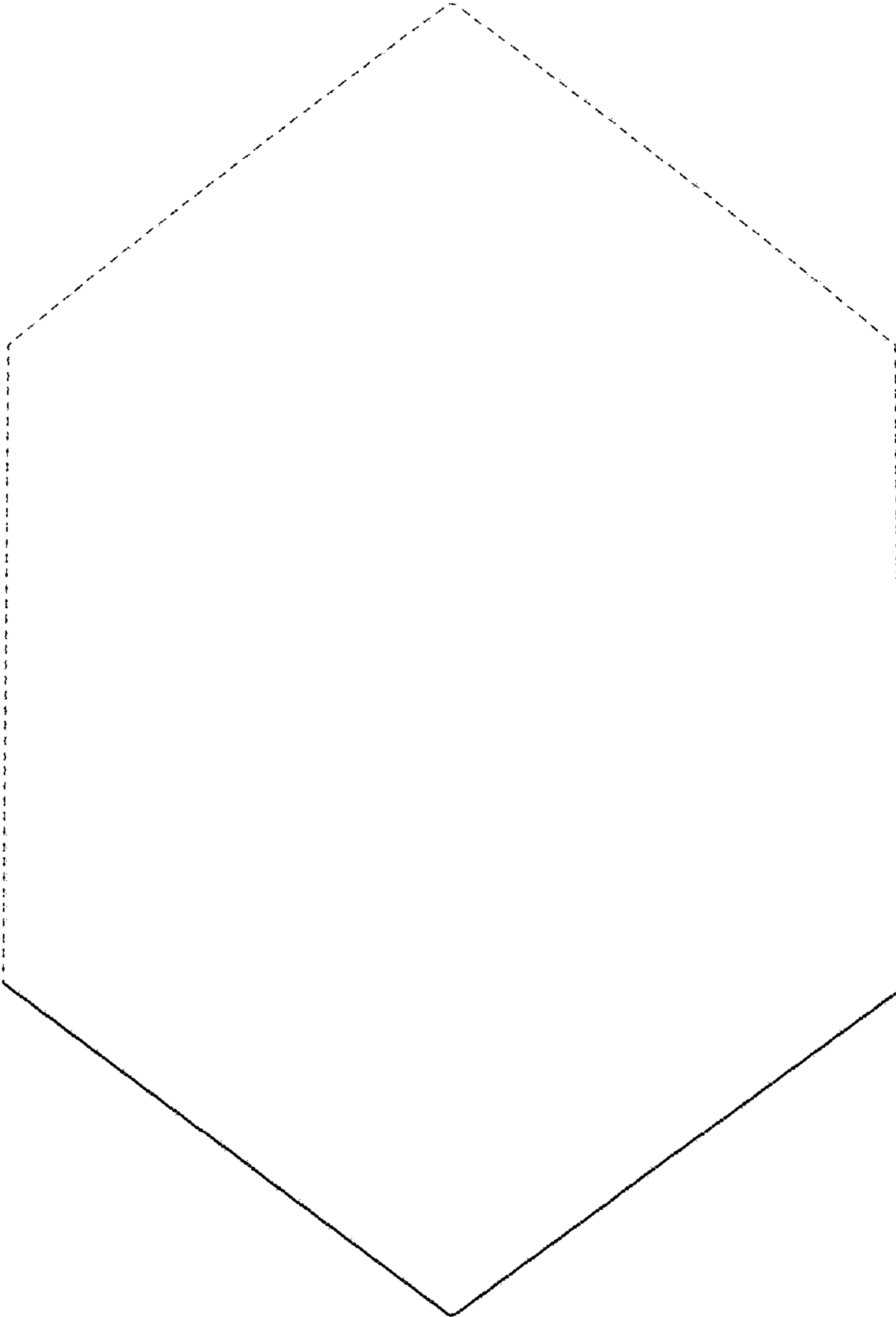


FIG. 4

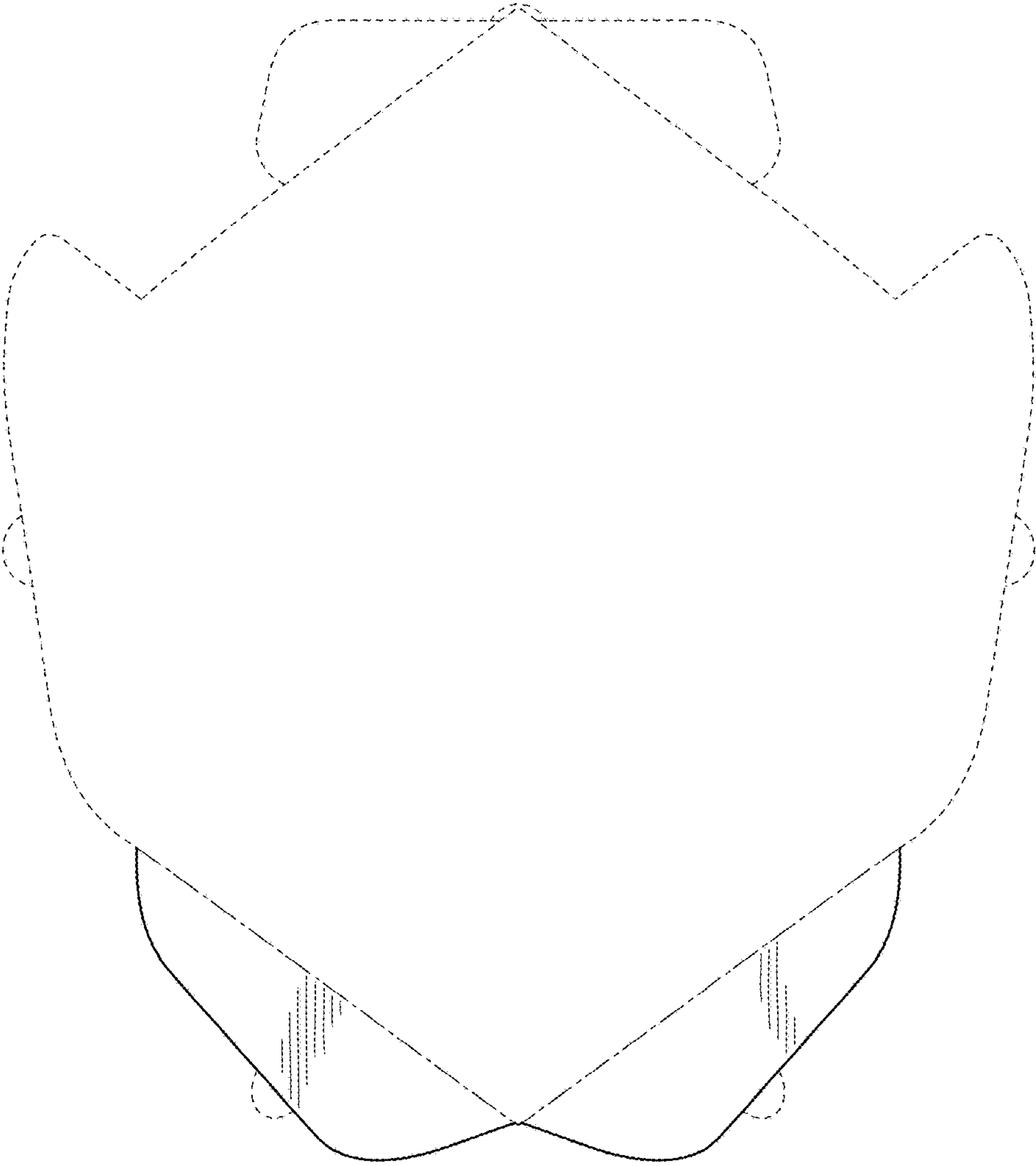


FIG. 5

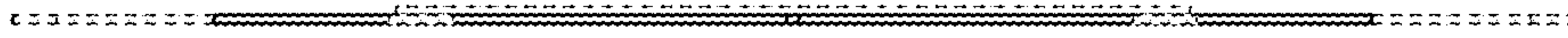


FIG. 6

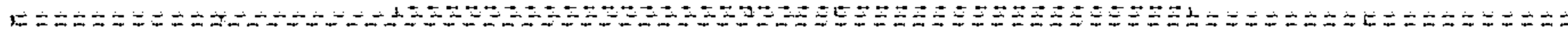


FIG. 7

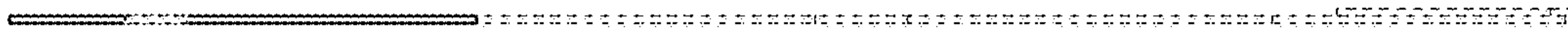


FIG. 8

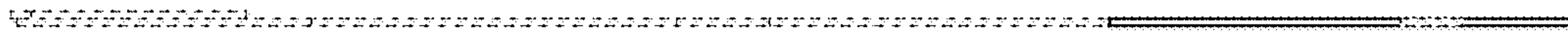


FIG. 9



FIG. 10