



US00D854857S

(12) **United States Design Patent** (10) **Patent No.:** **US D854,857 S**
Roberts et al. (45) **Date of Patent:** **** Jul. 30, 2019**

(54) **DRAWBAR FOR A SCREEN OR BLIND**
(71) Applicant: **INFINITY RETRACTABLE SCREENS PTY LTD**, Currumbin Waters, Queensland (AU)
(72) Inventors: **Anthony Gerard Roberts**, Currumbin Waters (AU); **Aaron Rodd**, Currumbin Waters (AU)

(73) Assignee: **INFINITY RETRACTABLE SCREENS PTY LTD (AU)**

(**) Term: **15 Years**

(21) Appl. No.: **29/605,714**

(22) Filed: **May 30, 2017**

(30) **Foreign Application Priority Data**

Nov. 30, 2016 (AU) 201616687

(51) **LOC (11) Cl.** **06-10**

(52) **U.S. Cl.**
USPC **D6/580**

(58) **Field of Classification Search**
USPC D6/575-581; D8/358, 376; D25/48.8, D25/55, 119, 121, 123, 125; D26/138; D13/155

CPC . A01G 9/222; A47H 1/04; A47H 1/13; A47H 23/00; A47H 23/01; A47H 23/06; A47H 23/10; A47H 5/00; A47H 5/03; A47H 5/06; E06B 1/0015; E06B 2009/1505; E06B 2009/247; E06B 2009/2476; E06B 2009/2494; E06B 2009/2622; E06B 2009/2625; E06B 2009/2627; E06B 2009/524; E06B 9/24; E06B 9/26; E06B 9/262; E06B 9/264; E06B 9/28; E06B 9/302; E06B 9/303; E06B 9/322; E06B 9/323; E06B 9/34; E06B 9/386; E06B 9/388; E06B 9/40; E06B 9/42; E06B 9/521; E06B 9/56; E06B 9/60

See application file for complete search history.

(56) **References Cited**

U.S. PATENT DOCUMENTS

2,616,122 A * 11/1952 Curtiss, Jr. E05B 1/0015
16/412

D178,968 S * 10/1956 Merendino D8/319

(Continued)

FOREIGN PATENT DOCUMENTS

AU 5025793 A 5/1994

AU 785311 B2 1/2007

(Continued)

OTHER PUBLICATIONS

Australian Application Serial No. AU2009238351, entitled "An Insect Screen," filed Nov. 20, 2009, by Anthony Gerard Roberts, 35 pages.

(Continued)

Primary Examiner — Kevin K Rudzinski

Assistant Examiner — Clare Ann Gannon

(74) *Attorney, Agent, or Firm* — Lerner, David, Littenberg, Krumholz & Mentlik, LLP

(57) **CLAIM**

The ornamental design for a drawbar for a screen or blind, as shown and described.

DESCRIPTION

FIG. 1 is a front perspective view of a drawbar for a screen or blind according to our design;

FIG. 2 is a front elevational view thereof;

FIG. 3 is a rear elevational view thereof;

FIG. 4 is a right side elevational view thereof;

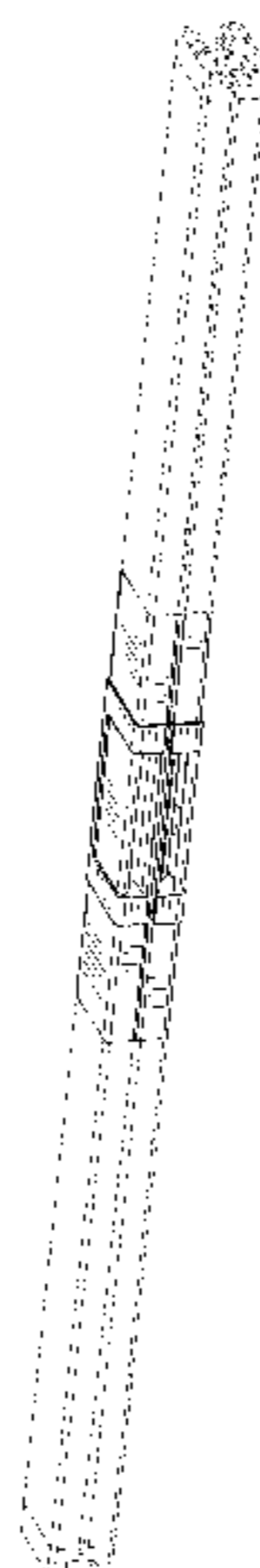
FIG. 5 is a left side elevational view thereof;

FIG. 6 is a top plan view thereof; and,

FIG. 7 is a bottom plan view thereof.

The dot-dash broken lines depict the boundary of the claim and form no part of the claimed design. All other broken lines shown in the drawings illustrate environmental structure that forms no part of the claimed design.

1 Claim, 4 Drawing Sheets



(56)

References Cited

U.S. PATENT DOCUMENTS

2,783,494 A * 3/1957 Sterling E05B 1/0015
16/412
D181,785 S * 12/1957 Duvall D8/306
3,842,890 A 10/1974 Kramer
3,911,990 A 10/1975 Hoover et al.
4,359,081 A 11/1982 Brower
4,658,879 A 4/1987 Van Klompenburg
4,821,786 A 4/1989 Johnston
4,825,921 A 5/1989 Rigter
4,884,617 A 12/1989 Coenraets
5,090,468 A 2/1992 Tedeschi
D341,429 S * 11/1993 Welch D25/48.8
5,868,191 A 2/1999 Blackmon, Jr.
6,082,432 A 7/2000 Kissinger
6,119,758 A 9/2000 Coenraets
6,282,753 B1 * 9/2001 Hochmuth A47B 95/02
16/413
6,405,781 B2 6/2002 Davies et al.
6,408,922 B2 6/2002 Desrochers
6,463,983 B1 10/2002 Lang
6,478,070 B2 11/2002 Poppema
D466,616 S * 12/2002 Warner D25/48.8
6,629,555 B2 10/2003 DeBlock et al.
6,701,994 B2 3/2004 Goldenberg et al.
6,758,503 B2 7/2004 Sadler
6,854,505 B2 2/2005 Grubb et al.
6,899,380 B2 5/2005 Kralik et al.
6,959,748 B2 11/2005 Hudoba
7,017,644 B1 3/2006 Kraeutler
7,100,667 B2 9/2006 Tomita
7,210,513 B2 5/2007 Goldenberg et al.
7,275,581 B2 10/2007 Coenraets
7,370,685 B2 5/2008 Moriya et al.
D570,666 S * 6/2008 Samhammer E05B 1/0015
D8/303
7,487,816 B2 2/2009 Moriya et al.
7,669,634 B2 3/2010 Sugiyama et al.
7,841,377 B2 11/2010 Coenraets
7,861,761 B2 1/2011 Martineau et al.
7,967,052 B2 6/2011 Lin
8,011,413 B2 9/2011 Poppema
8,371,355 B2 2/2013 Santoro et al.
8,516,728 B2 8/2013 Jung
8,528,623 B2 9/2013 Roberts
8,656,978 B2 2/2014 Goldenberg et al.
8,662,138 B2 3/2014 Komatsu et al.
8,672,014 B2 3/2014 Coenraets
9,351,599 B2 5/2016 Roberts
9,464,457 B2 * 10/2016 Koyama E06B 3/481

9,617,786 B2 4/2017 Roberts
D792,187 S * 7/2017 Hilliaho E05B 1/0015
D8/307
D792,751 S * 7/2017 Hilliaho E05B 1/0015
D8/307
D808,685 S * 1/2018 Raiti E05B 1/0015
D6/580
2001/0042346 A1 11/2001 Brioschi
2004/0112552 A1 * 6/2004 Rooth E05B 1/0015
160/371
2004/0250965 A1 * 12/2004 Strand E06B 9/322
160/170
2005/0098276 A1 5/2005 Quartararo
2005/0230065 A1 10/2005 Moriya et al.
2005/0274462 A1 12/2005 Nyffenegger et al.
2006/0196612 A1 * 9/2006 Strand E06B 9/262
160/84.05
2006/0289120 A1 12/2006 Pielmeier
2007/0029049 A1 2/2007 Martineau
2009/0236050 A1 9/2009 Marzilli
2010/0101739 A1 4/2010 Coenraets
2010/0326605 A1 12/2010 Chico
2011/0114272 A1 5/2011 Roberts
2012/0061032 A1 3/2012 Snyder et al.
2012/0098301 A1 4/2012 Nakamura et al.
2012/0193045 A1 8/2012 Lin
2014/0041814 A1 2/2014 Roberts
2014/0262084 A1 9/2014 Fleischman
2015/0067987 A1 * 3/2015 Herman E05B 1/0015
16/412
2015/0361718 A1 12/2015 Hummel
2016/0305155 A1 * 10/2016 English E05B 1/0084
2017/0335597 A1 * 11/2017 Lin E05B 1/0015

FOREIGN PATENT DOCUMENTS

JP 2002004753 A 1/2002
TW 440652 B 6/2001
WO 9413923 A1 6/1994
WO 2011111031 A2 9/2011
WO 2016081983 A1 6/2016

OTHER PUBLICATIONS

Examination Report in corresponding New Zealand Patent Application 589351, dated Jan. 9, 2012.
Australian Application Serial No. AU2009905623, entitled "A Retractable Screen," filed Nov. 18, 2009, by Anthony Gerard Roberts, 42 pages.

* cited by examiner

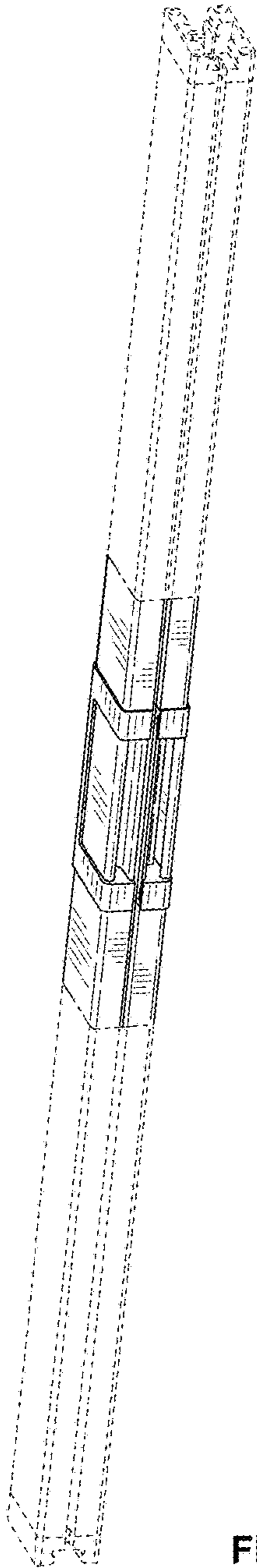


FIG. 1



FIG. 2



FIG. 3

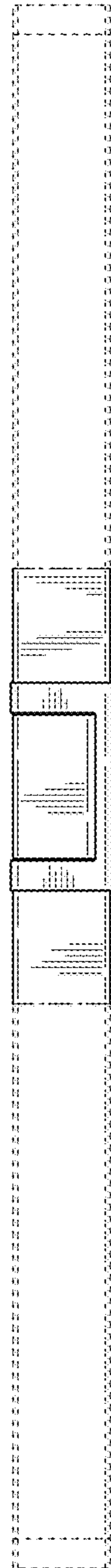


FIG. 4

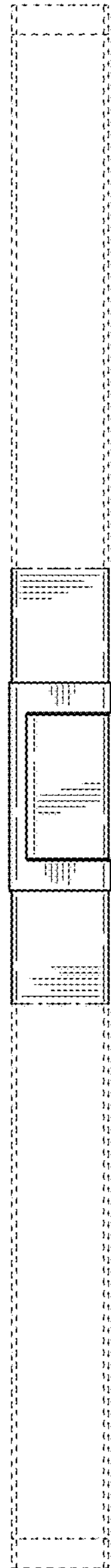


FIG. 5



FIG. 6



FIG. 7