



US00D854856S

(12) **United States Design Patent**  
**Garcia Garcia**

(10) **Patent No.:** **US D854,856 S**  
(45) **Date of Patent:** **\*\* Jul. 30, 2019**

(54) **ROLLER SHADE VALENCE COMPONENT**  
(71) Applicant: **Bandalux Industrial, S.A.**, Barcelona (ES)  
(72) Inventor: **Emiliano Garcia Garcia**, Barcelona (ES)  
(73) Assignee: **Bandalux Industrial, S.A.**, Barcelona (ES)  
(\*\*) Term: **15 Years**  
(21) Appl. No.: **29/602,311**  
(22) Filed: **May 1, 2017**  
(51) **LOC (11) Cl.** ..... **06-10**  
(52) **U.S. Cl.**  
USPC ..... **D6/580**  
(58) **Field of Classification Search**  
USPC ..... D6/575-581; D8/358, 376; D25/55, D25/119, 121, 123, 125; D26/138; D13/155  
CPC . A01G 9/222; A47H 1/04; A47H 1/13; A47H 23/00; A47H 23/01; A47H 23/06; A47H 23/10; A47H 5/00; A47H 5/03; A47H 5/06; E06B 2009/1505; E06B 2009/247; E06B 2009/2476; E06B 2009/2494; E06B 2009/2622; E06B 2009/2625; E06B 2009/2627; E06B 2009/524; E06B 9/24; E06B 9/26; E06B 9/262; E06B 9/264; E06B 9/28; E06B 9/302; E06B 9/303; E06B 9/322; E06B 9/323; E06B 9/34; E06B 9/386; E06B 9/388; E06B 9/40; E06B 9/42; E06B 9/521; E06B 9/56; E06B 9/60

See application file for complete search history.

(56) **References Cited**  
U.S. PATENT DOCUMENTS

4,791,703 A \* 12/1988 Chang ..... E06B 9/36 16/87 R  
5,127,458 A \* 7/1992 Schaefer ..... E06B 9/323 160/168.1 R

D415,292 S \* 10/1999 Giese ..... E06B 9/303 D25/123  
6,062,292 A \* 5/2000 Bryant ..... E06B 9/303 160/173 R  
6,488,071 B1 \* 12/2002 Welfonder ..... E06B 9/36 160/173 V  
D494,401 S \* 8/2004 Davies ..... E06B 9/323 D6/580  
7,441,582 B2 \* 10/2008 Lukos ..... E04F 10/0662 160/23.1  
7,900,680 B2 \* 3/2011 Garmyn ..... E06B 9/42 160/23.1  
9,617,785 B2 \* 4/2017 Chou ..... E06B 9/24  
2004/0216849 A1 \* 11/2004 Goldenberg ..... E06B 9/54 160/23.1  
2004/0221970 A1 \* 11/2004 Nien ..... E06B 9/323 160/173 R  
2005/0205216 A1 \* 9/2005 Vrielink ..... E06B 9/323 160/23.1  
2008/0289775 A1 \* 11/2008 Lukos ..... E04F 10/0662 160/242

(Continued)

*Primary Examiner* — Kevin K Rudzinski  
*Assistant Examiner* — Clare Ann Gannon  
(74) *Attorney, Agent, or Firm* — Thedford I. Hitaffer; Hitaffer & Hitaffer, PLLC

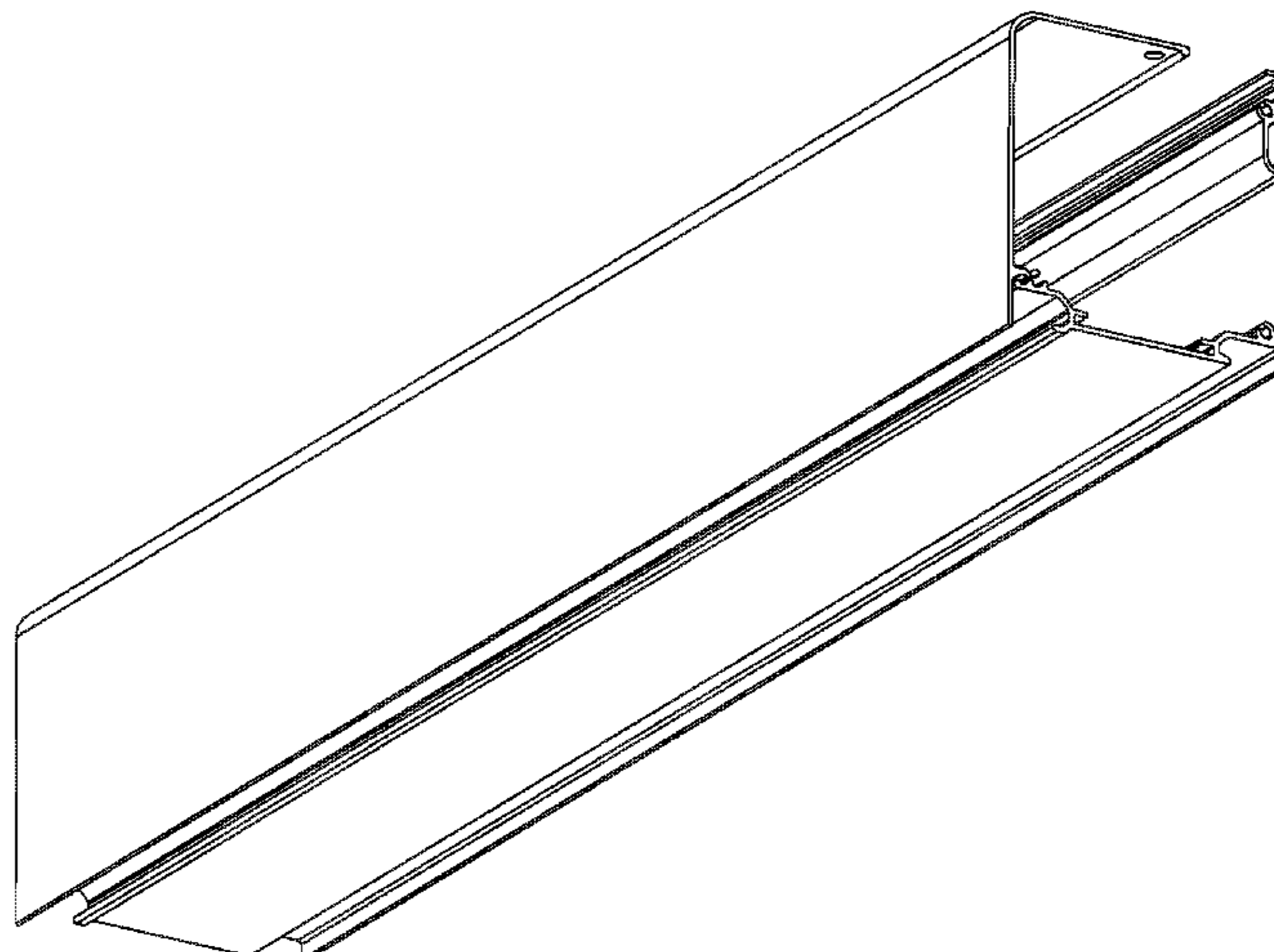
(57) **CLAIM**

The ornamental design for a roller shade valance component, as shown and described.

**DESCRIPTION**

FIG. 1 is a top right front perspective view of a roller shade valance component showing my new design.  
FIG. 2 is a bottom left front perspective view thereof; and,  
FIG. 3 is right elevation view thereof.

**1 Claim, 3 Drawing Sheets**



(56)

**References Cited**

U.S. PATENT DOCUMENTS

2009/0250177 A1\* 10/2009 Byeon ..... E06B 9/40  
160/323.1  
2009/0283223 A1\* 11/2009 Liu ..... E06B 9/322  
160/84.02  
2010/0243589 A1\* 9/2010 Truett ..... E06B 9/262  
211/124  
2013/0255890 A1\* 10/2013 Mullet ..... E06B 9/307  
160/168.1 P  
2014/0352897 A1\* 12/2014 Mullet ..... E06B 9/42  
160/323.1  
2015/0252614 A1\* 9/2015 Diamond ..... E06B 9/44  
160/108  
2017/0114593 A1\* 4/2017 Hebeisen ..... E06B 9/17007

\* cited by examiner

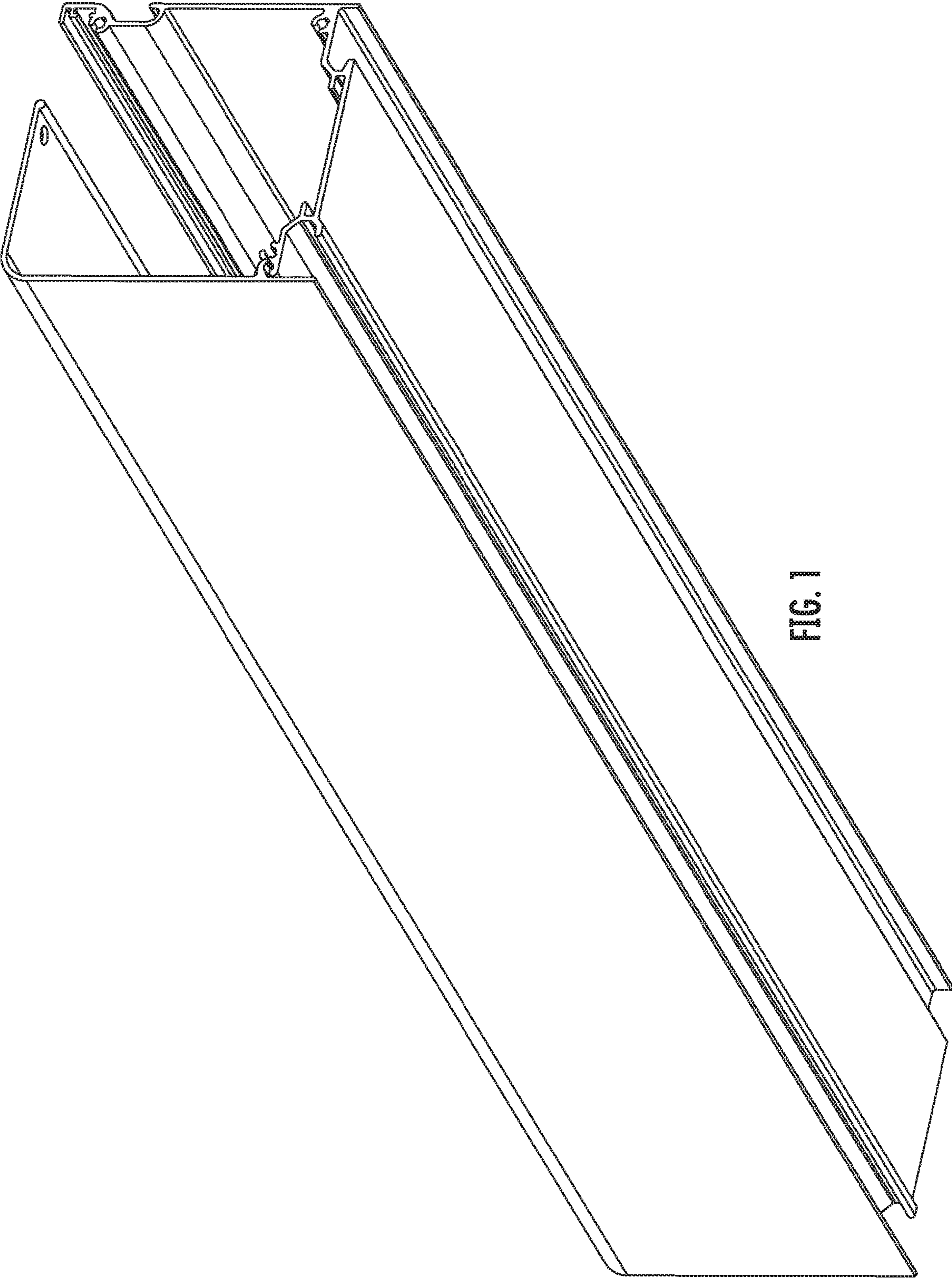


FIG. 1

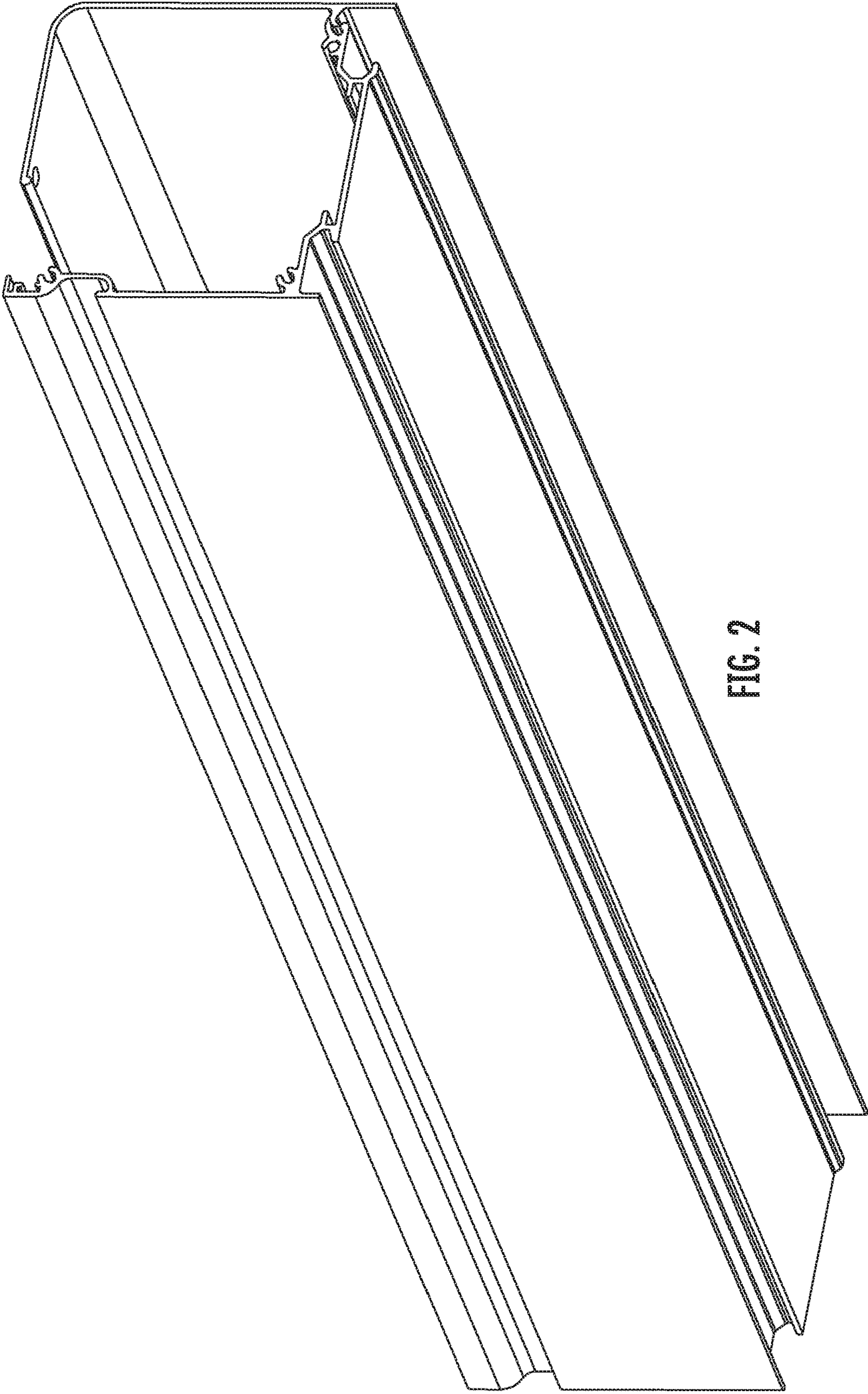


FIG. 2

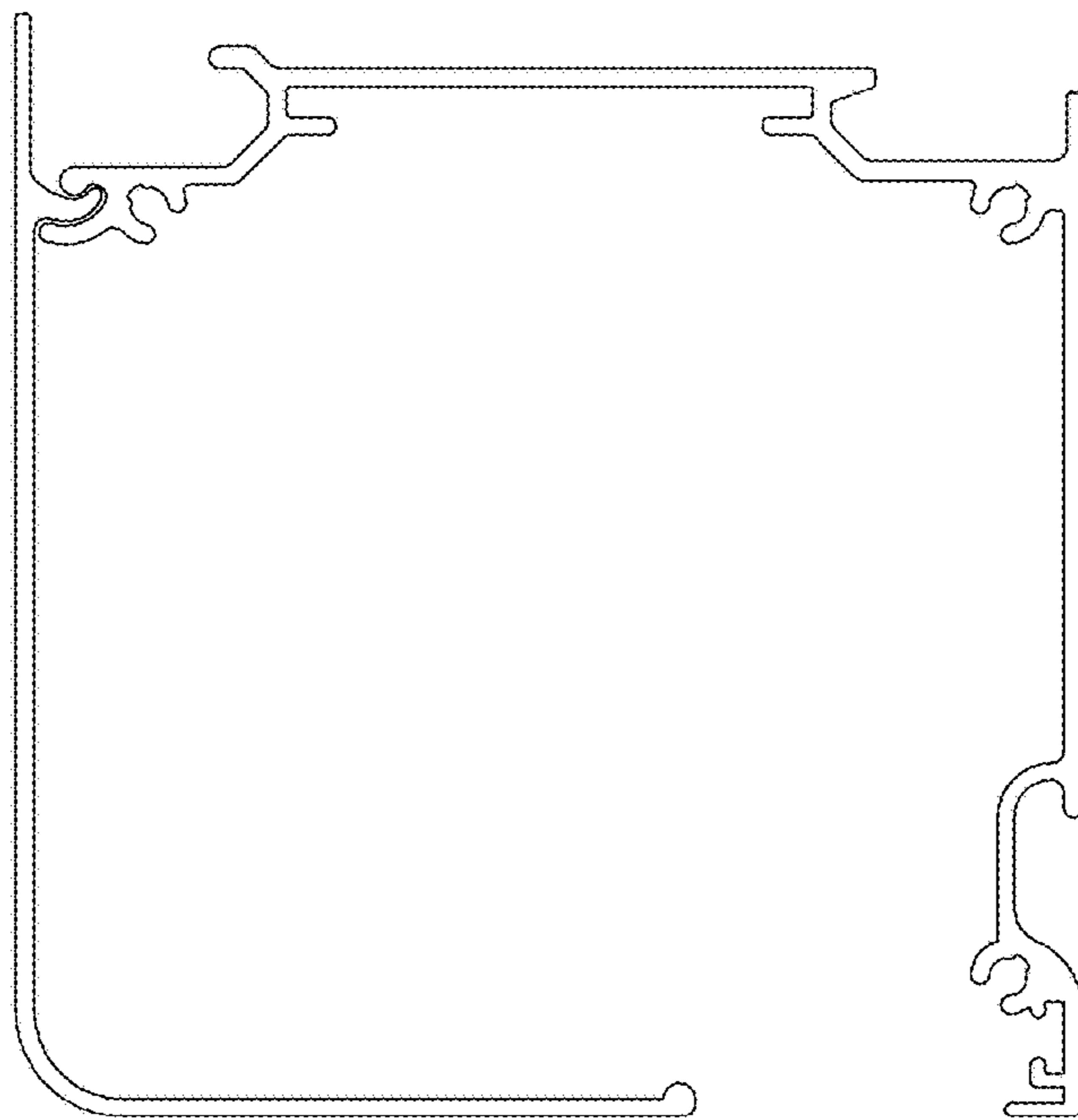


FIG. 3