



US00D854854S

(12) **United States Design Patent** (10) **Patent No.:** **US D854,854 S**
Duvigneau (45) **Date of Patent:** **** Jul. 30, 2019**

(54) **SANITARY RECEPTACLE**
(71) Applicant: **CURVER Luxembourg Sarl,**
Neidercom (LU)
(72) Inventor: **Nikolai Duvigneau, Zichron Yaacov**
(IL)
(73) Assignee: **CURVER LUXEMBOURG SARL,**
Neidercom (LU)
(**) Term: **15 Years**
(21) Appl. No.: **29/613,183**
(22) Filed: **Aug. 8, 2017**

(30) **Foreign Application Priority Data**
Feb. 9, 2017 (IL) 59936
(51) **LOC (11) Cl.** **06-04**
(52) **U.S. Cl.**
USPC **D6/551**
(58) **Field of Classification Search**
USPC D6/525, 551; D7/541, 555, 615;
4/255.05, 255.11; 206/207, 349, 361;
220/263; 312/206, 207
CPC A47K 17/00; A47K 11/10; A47K 3/001;
B65D 47/40
See application file for complete search history.

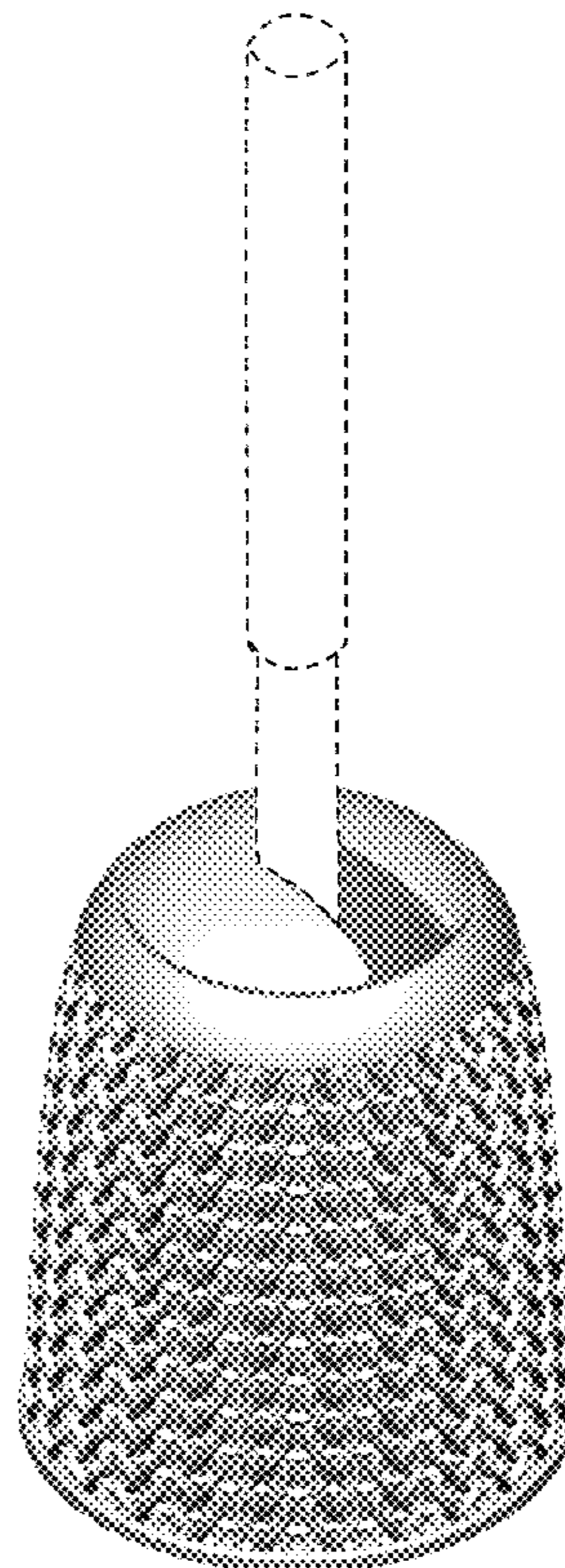
(56) **References Cited**
U.S. PATENT DOCUMENTS
D404,951 S * 2/1999 Zawalsky D6/551
D551,480 S * 9/2007 Dretzka D6/551
2005/0252804 A1 * 11/2005 Leaphart, Jr. A47K 17/00
206/349

* cited by examiner
Primary Examiner — Wan Laymon
Assistant Examiner — Mark Booker
(74) *Attorney, Agent, or Firm* — Dorsey & Whitney LLP

(57) **CLAIM**
The ornamental design for a sanitary receptacle, as shown and described.

DESCRIPTION
FIG. 1 is a front, top, right perspective view of a sanitary receptacle;
FIG. 2 is an enlarged top view thereof;
FIG. 3 is a right side view thereof; the left side view being a mirror image;
FIG. 4 is a front view thereof; and,
FIG. 5 is an enlarged bottom view thereof.
The broken lines shown in the figures represent portions of the sanitary receptacle that form no part of the claimed design.

1 Claim, 5 Drawing Sheets



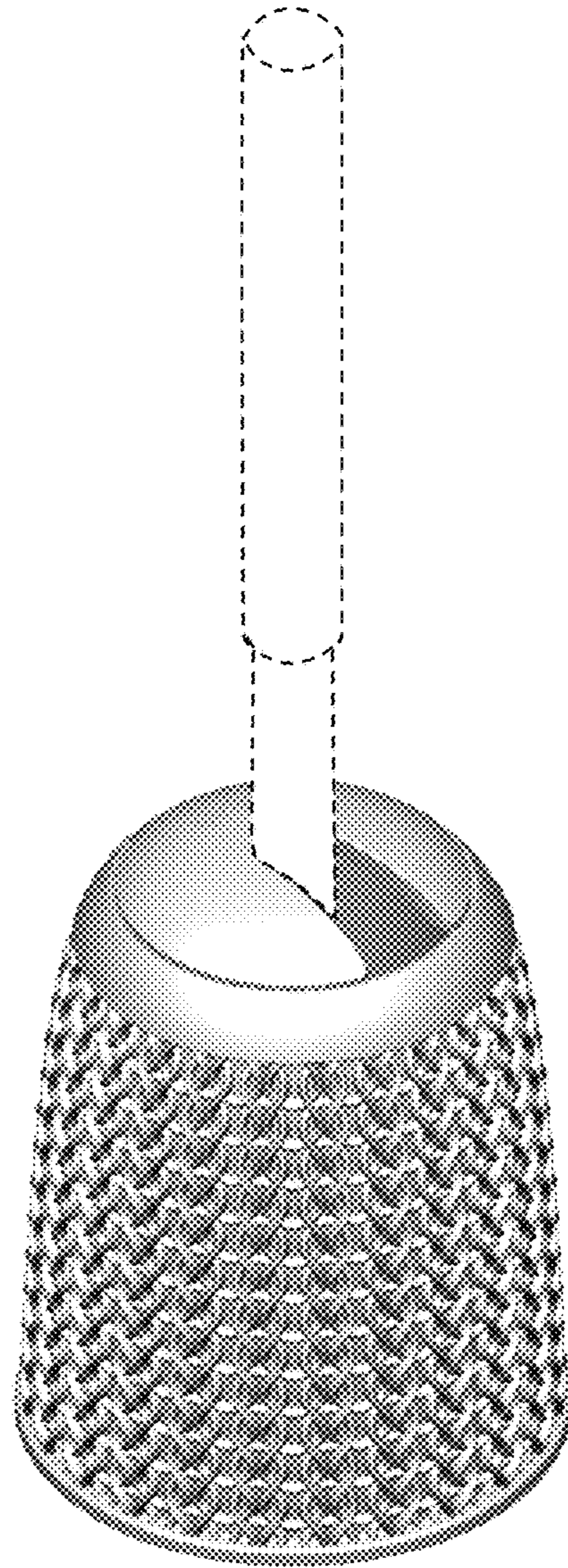


Fig. 1

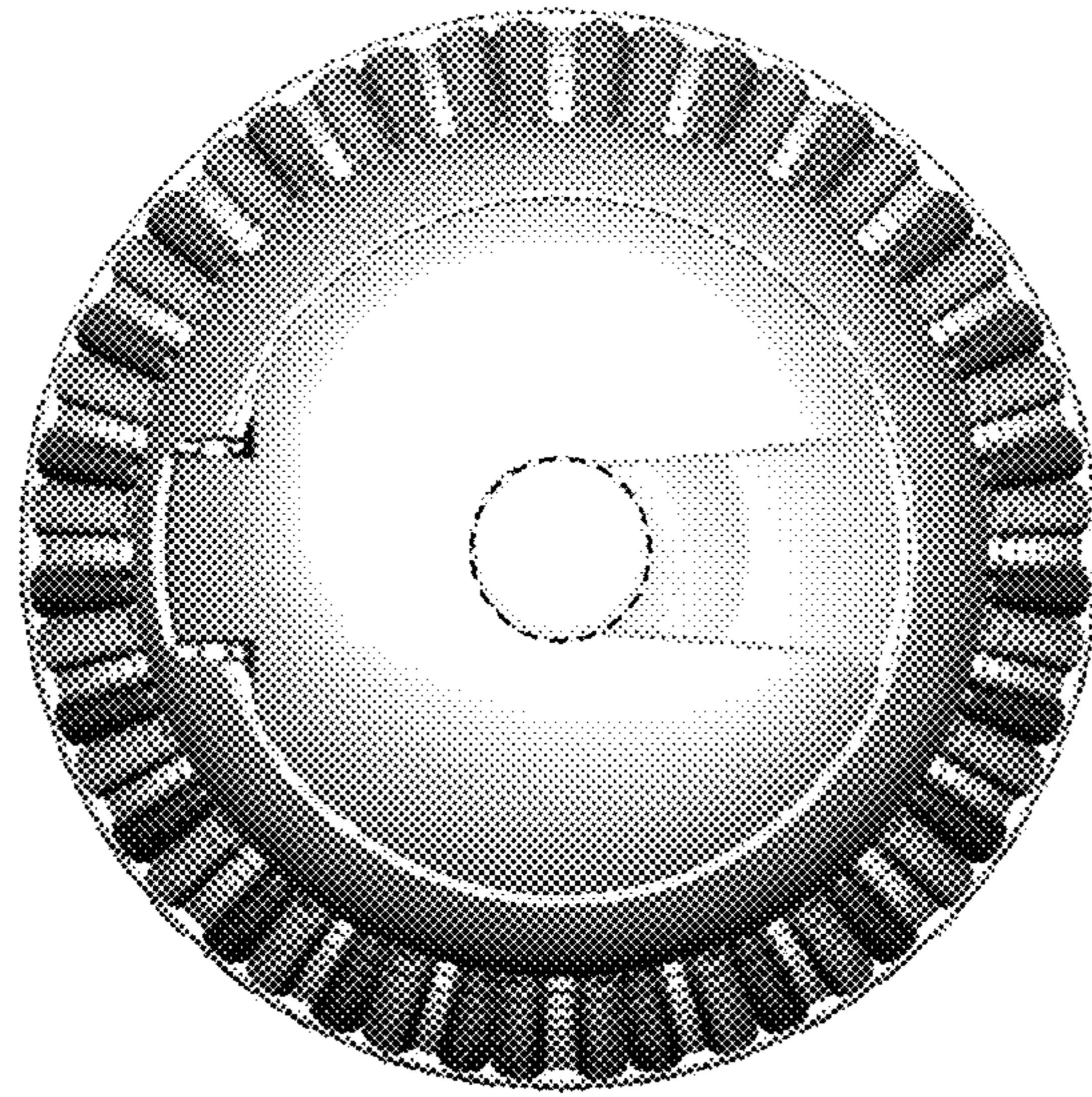


FIG. 2

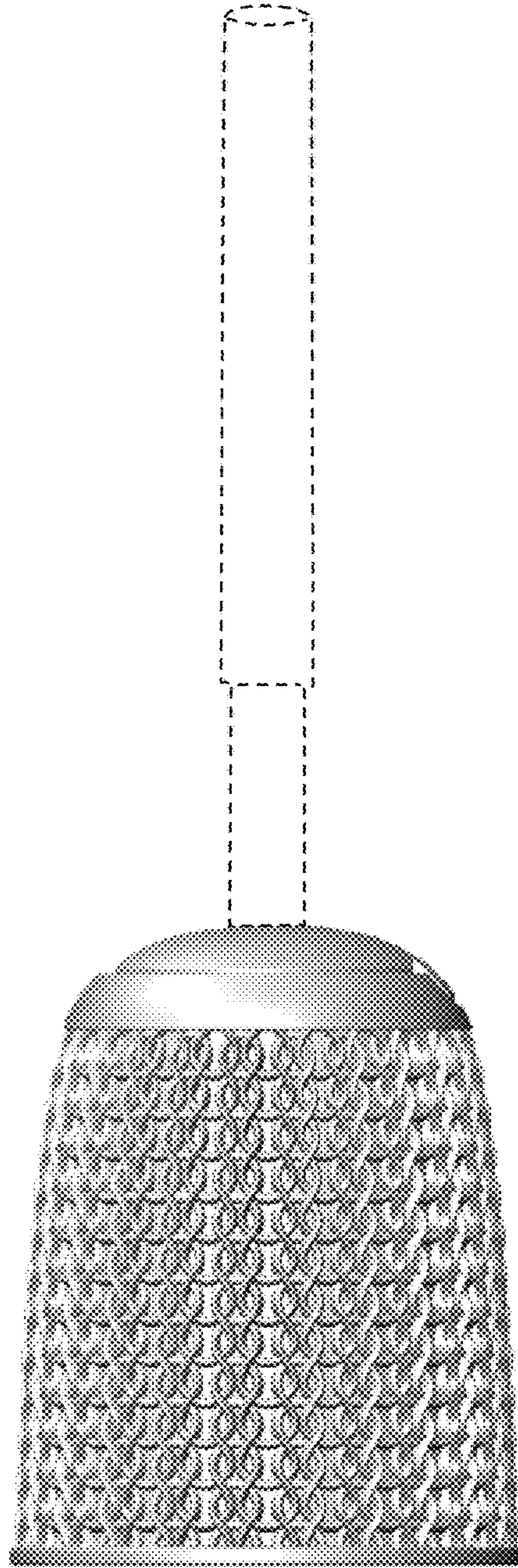


Fig. 3

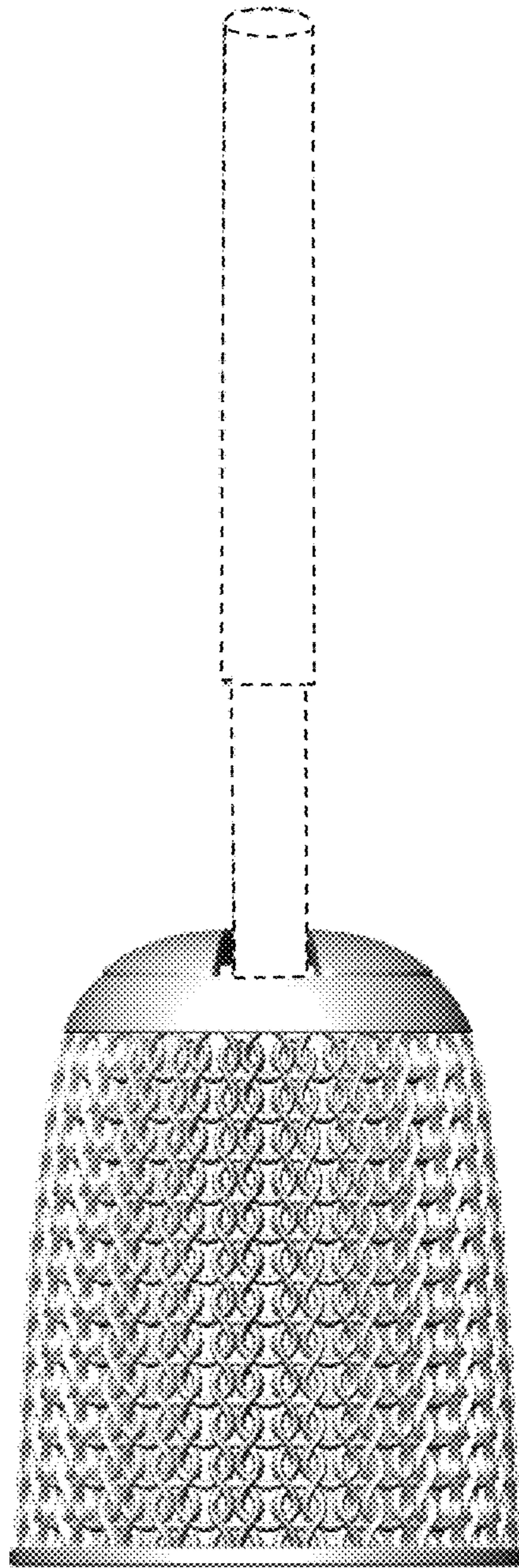


Fig. 4

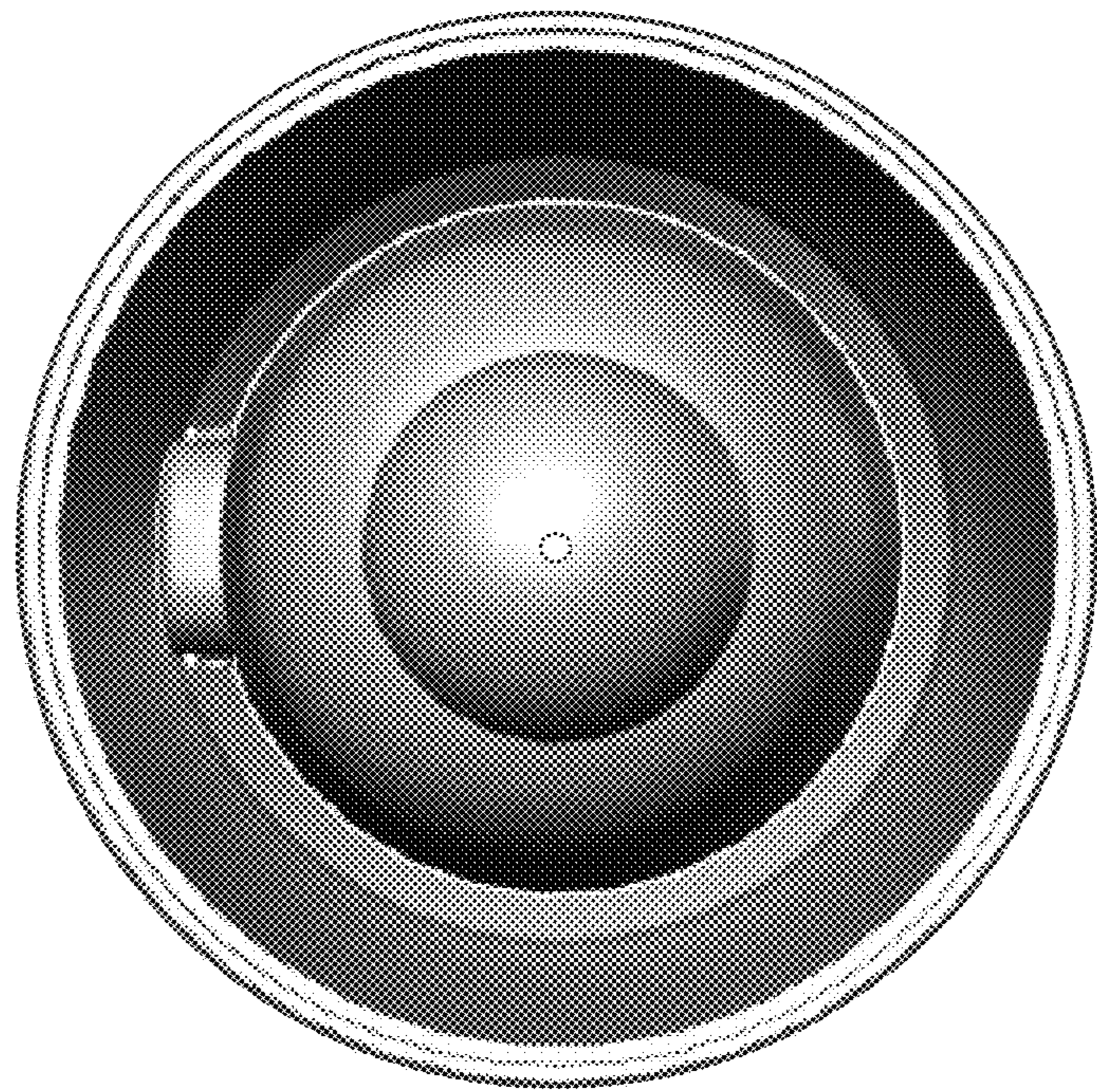


Fig. 5