



US00D854852S

(12) **United States Design Patent** (10) **Patent No.:** **US D854,852 S**
Mathison (45) **Date of Patent:** **** Jul. 30, 2019**

(54) **PAPER TOWEL ROLL CORE**

(71) Applicant: **Steven D. Mathison**, Milwaukee, WI (US)

(72) Inventor: **Steven D. Mathison**, Milwaukee, WI (US)

(**) Term: **15 Years**

(21) Appl. No.: **29/593,801**

(22) Filed: **Feb. 13, 2017**

(51) **LOC (11) Cl.** **23-02**

(52) **U.S. Cl.**
USPC **D6/522**

(58) **Field of Classification Search**
USPC D6/518-523; 206/389, 391; 211/13.1, 211/59.1, 45, 890.1; 242/570, 590, 597.7, 242/599.1, 599.3, 309.1, 309.2
CPC A47K 10/16; A47K 10/00; B65H 75/245; B65H 75/24; B65H 75/18
See application file for complete search history.

(56) **References Cited**

U.S. PATENT DOCUMENTS

2,522,109	A *	9/1950	Foltis	A47K 10/22 242/598.3
2,873,928	A *	2/1959	Klasky	A47K 10/22 242/599.3
2,889,121	A	6/1959	Heinle		
3,145,940	A *	8/1964	Henry	A47K 10/40 242/599.2
3,438,589	A	4/1969	Jespersen		

(Continued)

FOREIGN PATENT DOCUMENTS

WO	2012027403	A1	3/2012
WO	2015081404	A1	6/2015

Primary Examiner — David G Muller
Assistant Examiner — Nathan M Johnston
(74) *Attorney, Agent, or Firm* — Andrus Intellectual Property Law, LLP

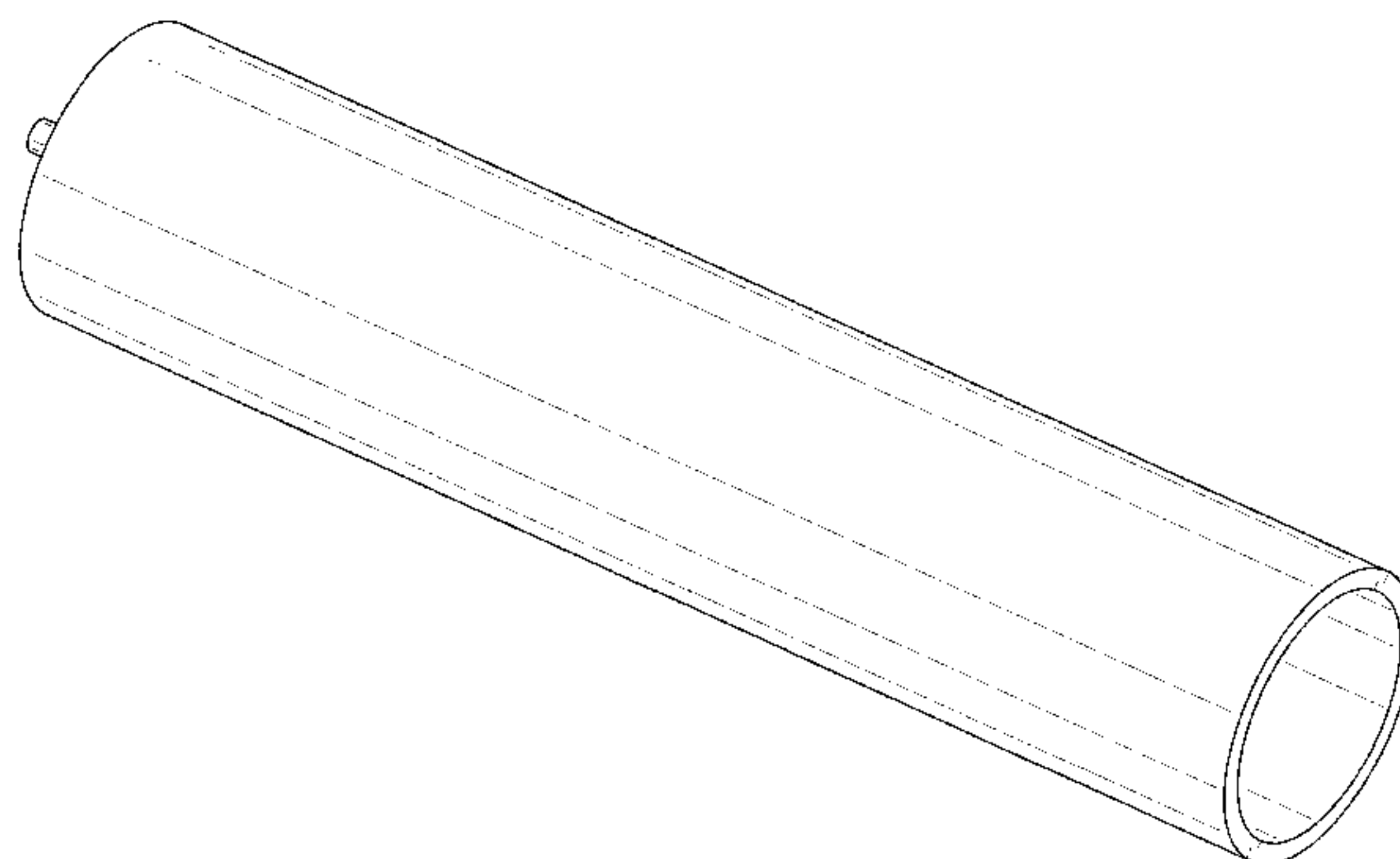
(57) **CLAIM**

The ornamental design for a paper towel roll core, as shown and described.

DESCRIPTION

FIG. 1 is a right perspective view of a first embodiment of a paper towel roll core according to my new and ornamental design;
 FIG. 2 is a left perspective view thereof;
 FIG. 3 is a front elevation view thereof, wherein the back elevation view is a mirror image of the front elevation view, and wherein the top plan and bottom plan views are identical to the front elevation view;
 FIG. 4 is a cross-sectional view thereof, taken along the line 4-4 in FIG. 3;
 FIG. 5 is a right side elevation view thereof;
 FIG. 6 is a left side elevation view thereof;
 FIG. 7 is a right perspective view of a second embodiment of a paper towel roll core according to my new and ornamental design, wherein the left perspective view is identical to that shown in FIG. 2;
 FIG. 8 is a front elevation view thereof, wherein the back elevation view is a mirror image of the front elevation view, and wherein the top plan and bottom plan views are identical to the front elevation view; and
 FIG. 9 is a cross-sectional view thereof, taken along the line 9-9 in FIG. 8; and,
 FIG. 10 is a right side elevation view thereof, wherein the left side elevation view is identical to that shown in FIG. 6.
 The broken lines in FIGS. 3 and 8 are for purposes of illustrating where cross-sections of the paper towel roll core are taken and do not form part of the claimed design. The broken lines in FIGS. 4 and 9 represent boundaries and do not form part of the claimed design; the area within these broken lines is not part of the claimed design.

1 Claim, 9 Drawing Sheets



(56)

References Cited

U.S. PATENT DOCUMENTS

3,602,450 A 8/1971 Jespersen
 4,239,163 A * 12/1980 Christian A47K 10/40
 242/422.4
 D296,963 S * 8/1988 Smallwood D6/523
 4,792,105 A * 12/1988 Imaseki B41J 33/003
 242/598.3
 5,340,047 A * 8/1994 Heller A47K 10/40
 242/599.1
 D381,851 S 8/1997 Sharpe
 D394,178 S * 5/1998 Gremchuck D6/520
 D414,361 S 9/1999 Senecal, Jr.
 D422,819 S 4/2000 Fong
 D427,828 S 7/2000 Senecal, Jr.
 6,702,225 B2 * 3/2004 Newman A47K 10/32
 242/594.1
 D494,395 S 8/2004 Wolpert et al.
 D495,176 S 8/2004 Wolpert et al.
 D495,177 S 8/2004 Wolpert et al.
 D509,690 S 9/2005 Wolpert et al.
 D532,229 S 11/2006 Hoerig et al.

D555,955 S 11/2007 Salaker
 D555,956 S 11/2007 Salaker
 7,364,112 B1 4/2008 Formon
 7,568,653 B2 8/2009 Zeiron
 D630,874 S 1/2011 Moller et al.
 D632,512 S * 2/2011 Bejdova D6/523
 7,891,600 B1 * 2/2011 Schmatz A47K 10/40
 242/598.3
 7,975,957 B2 7/2011 Lind et al.
 8,006,929 B2 8/2011 Lind et al.
 8,490,913 B2 7/2013 Formon et al.
 D703,461 S 4/2014 Myron
 8,783,600 B1 7/2014 Myron
 D719,374 S 12/2014 Myron
 9,370,284 B2 6/2016 Moller et al.
 D806,433 S * 1/2018 Roberts D6/523
 2003/0045412 A1 3/2003 Schulz et al.
 2008/0164369 A1 7/2008 Adalakun
 2010/0025519 A1 2/2010 Granger et al.
 2015/0083847 A1 3/2015 Cittadino
 2016/0058251 A1 * 3/2016 Rudnick A47K 10/40
 242/599.1
 2016/0280505 A1 9/2016 Stinson

* cited by examiner

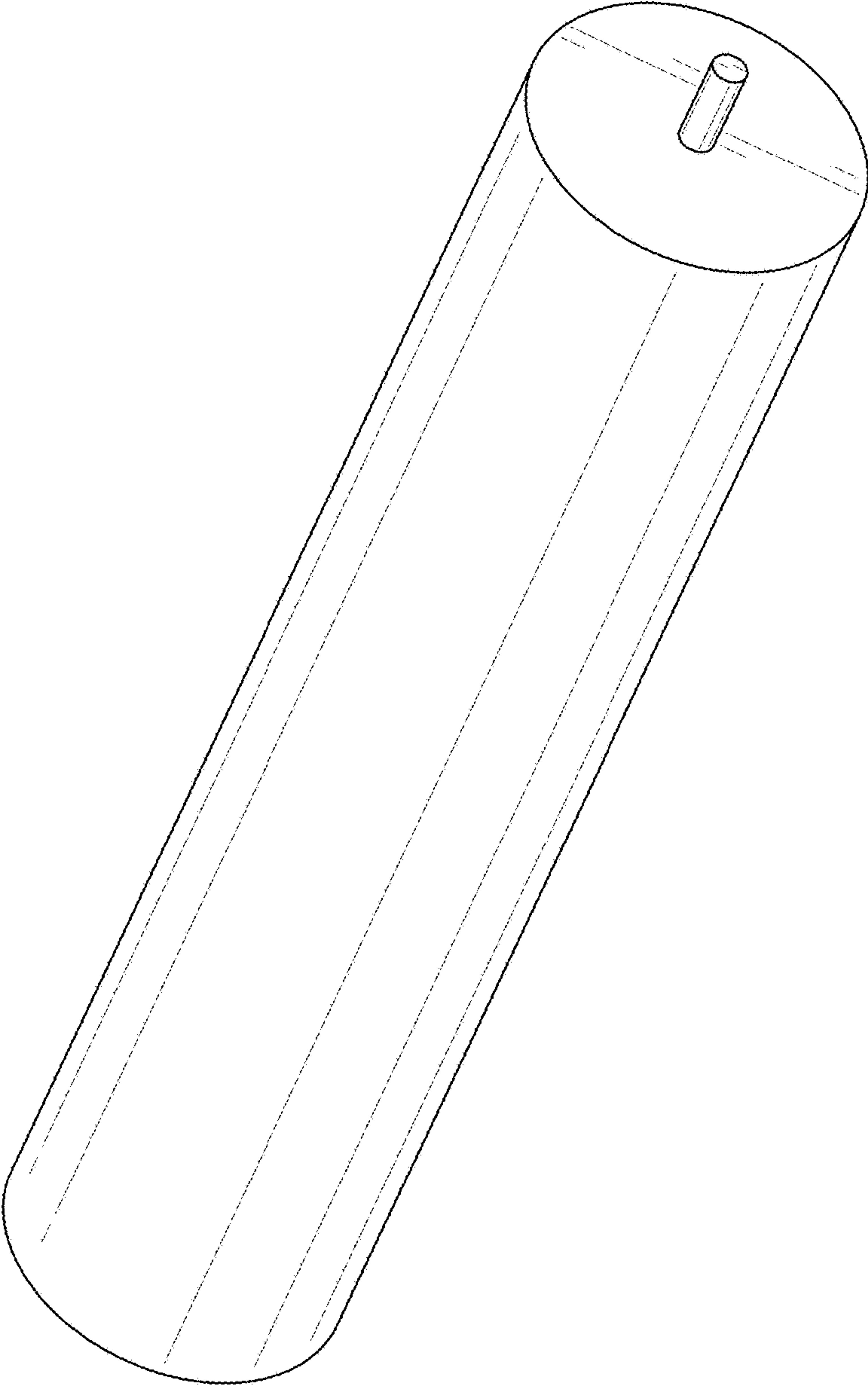


FIG. 1

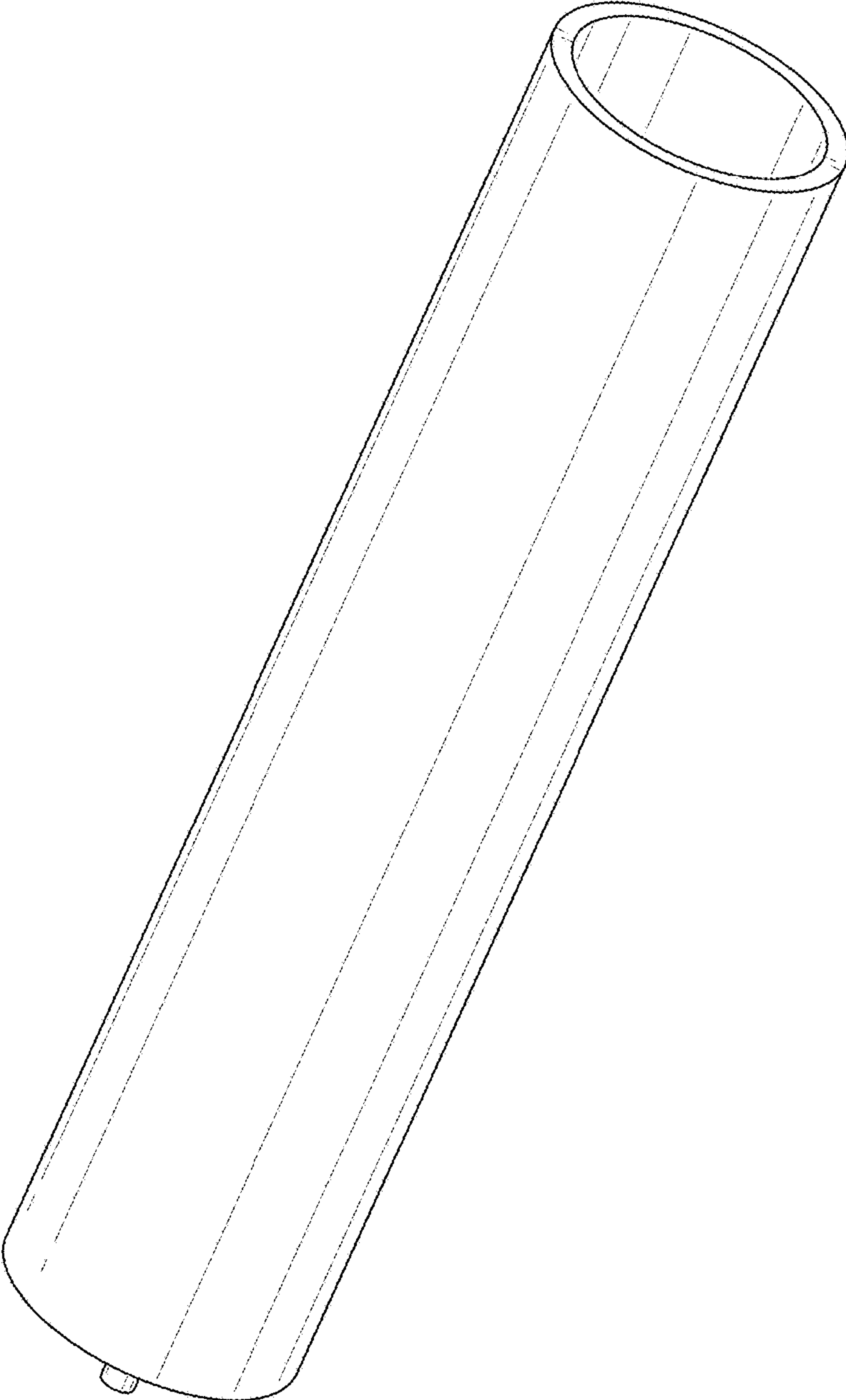


FIG. 2

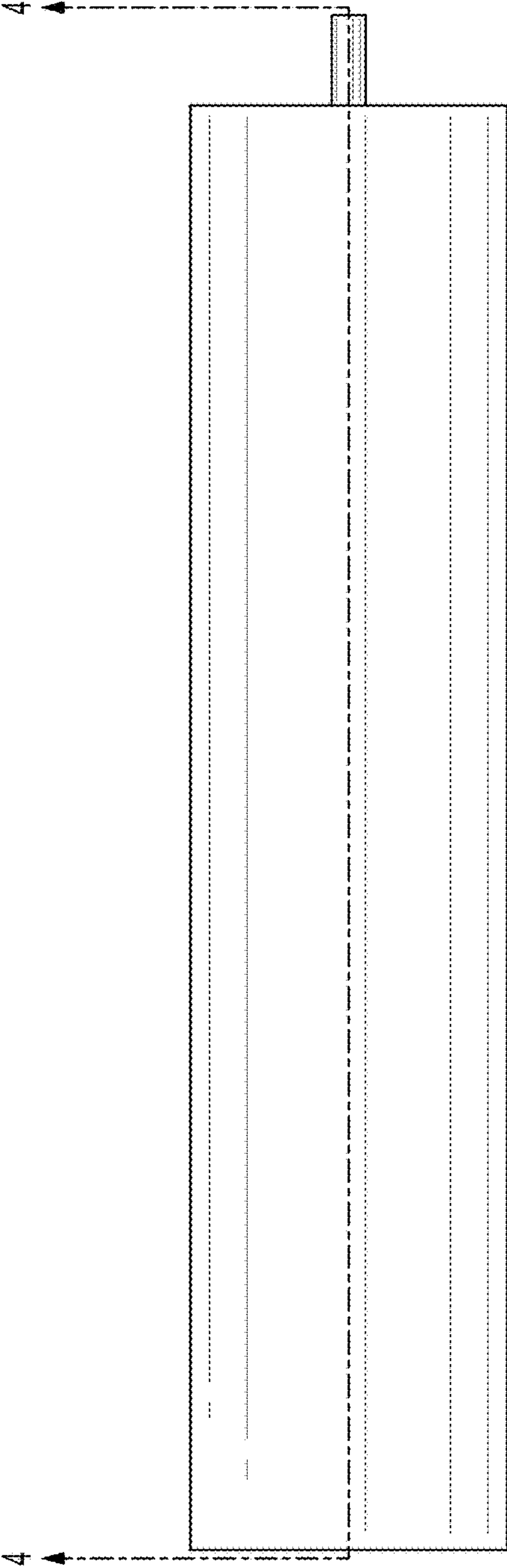


FIG. 3

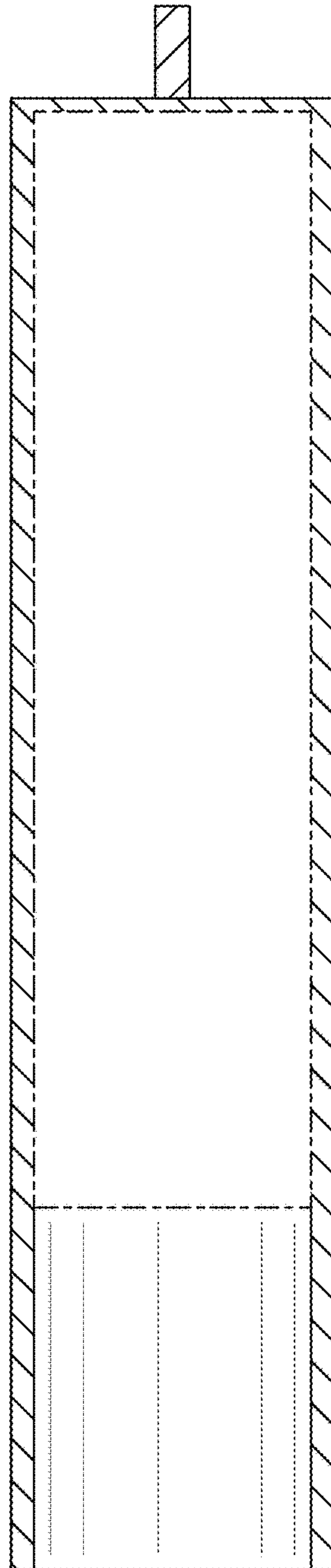


FIG. 4

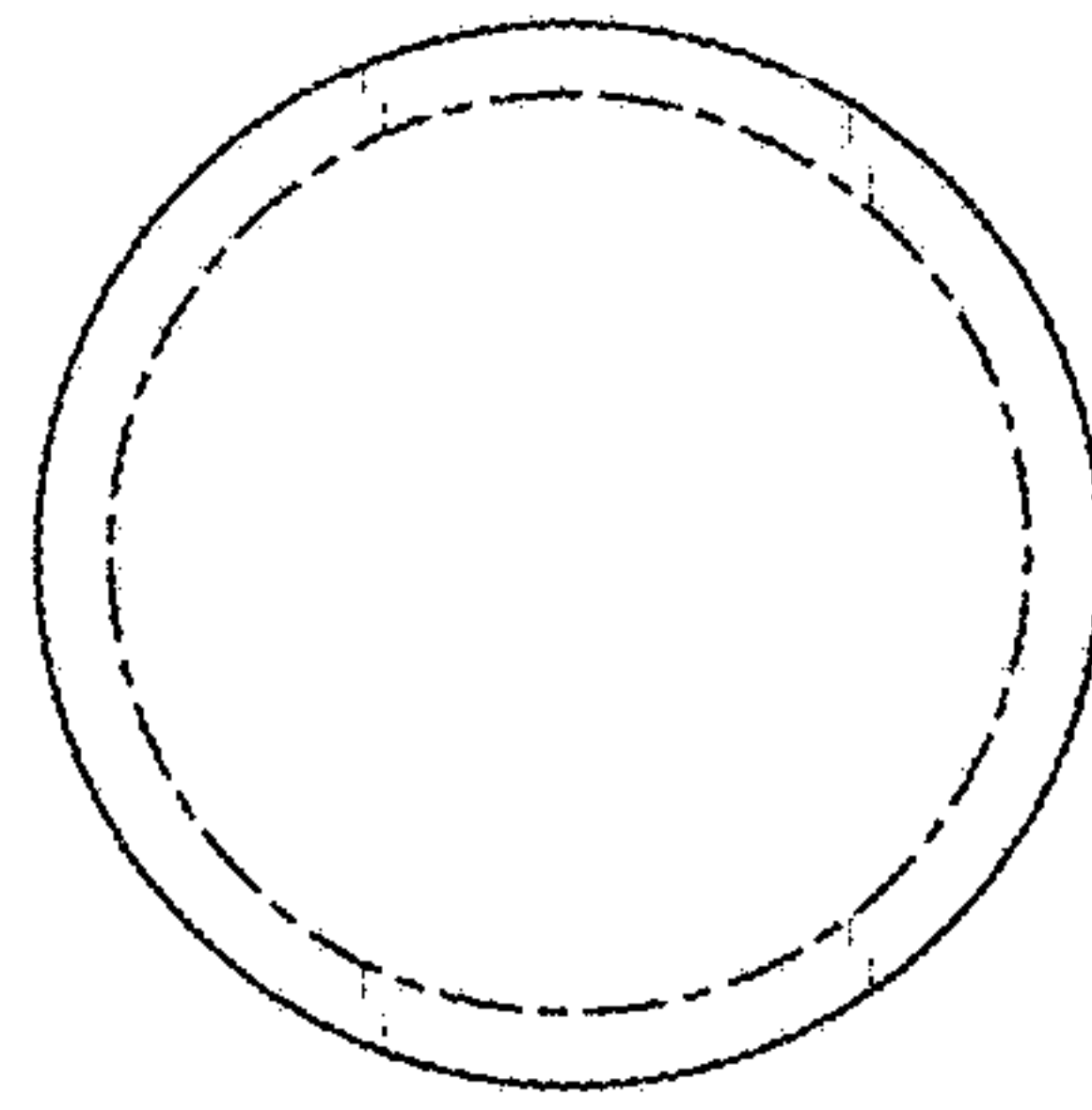


FIG. 6

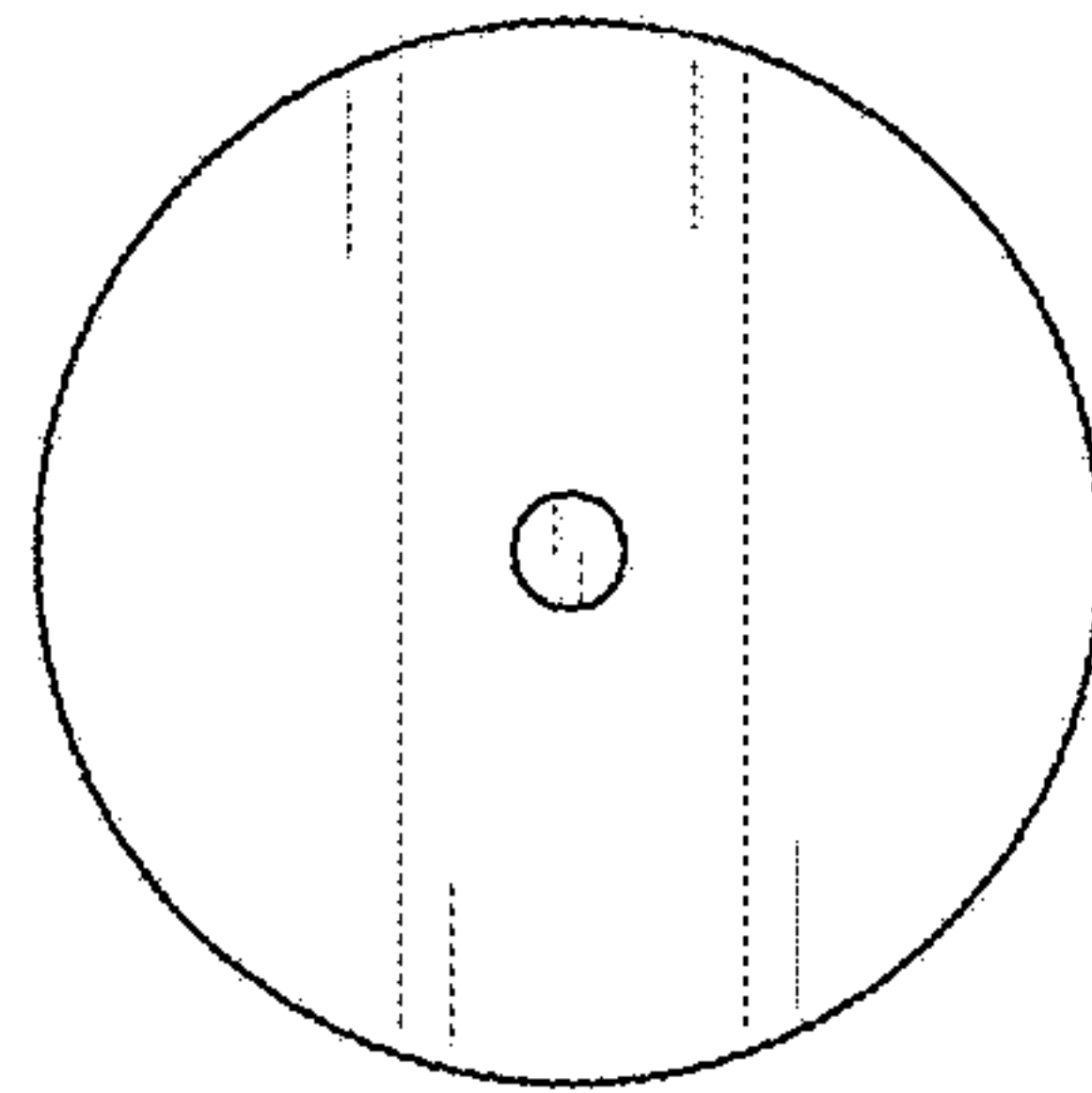


FIG. 5

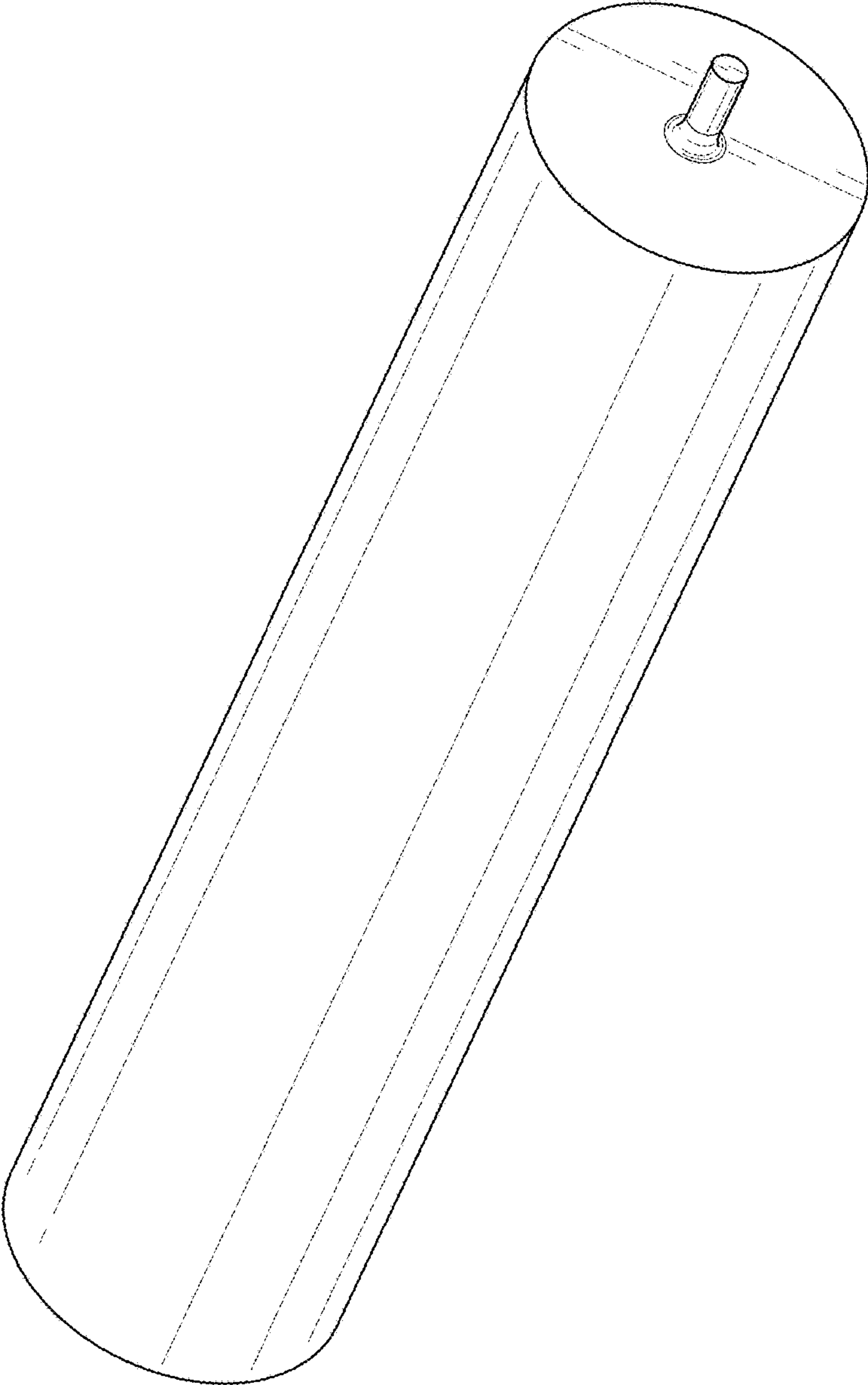


FIG. 7

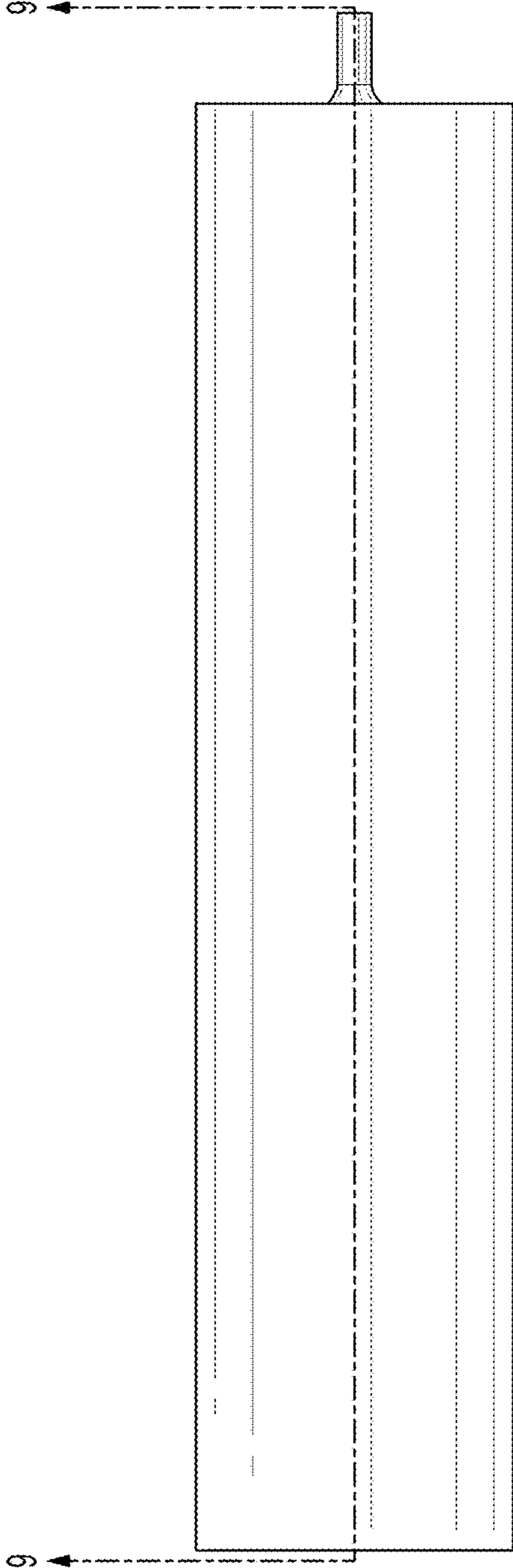


FIG. 8

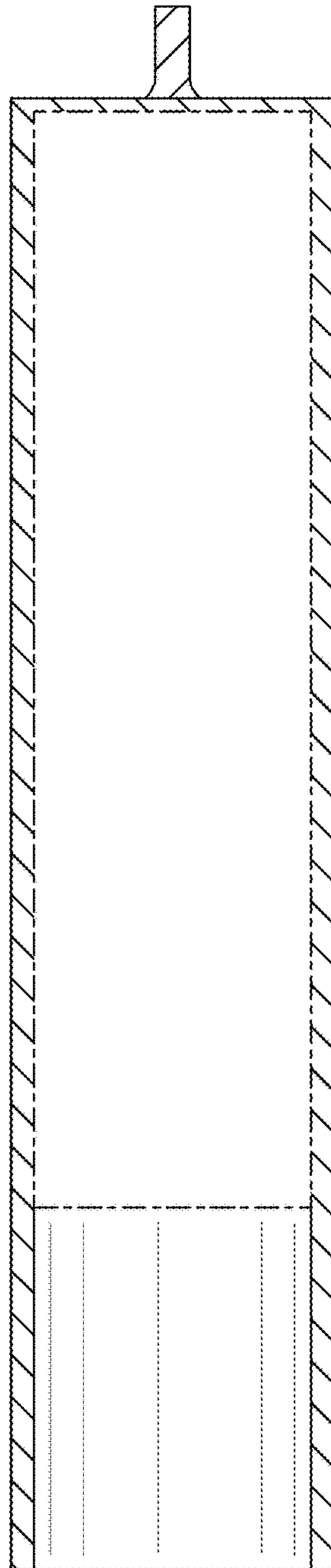


FIG. 9

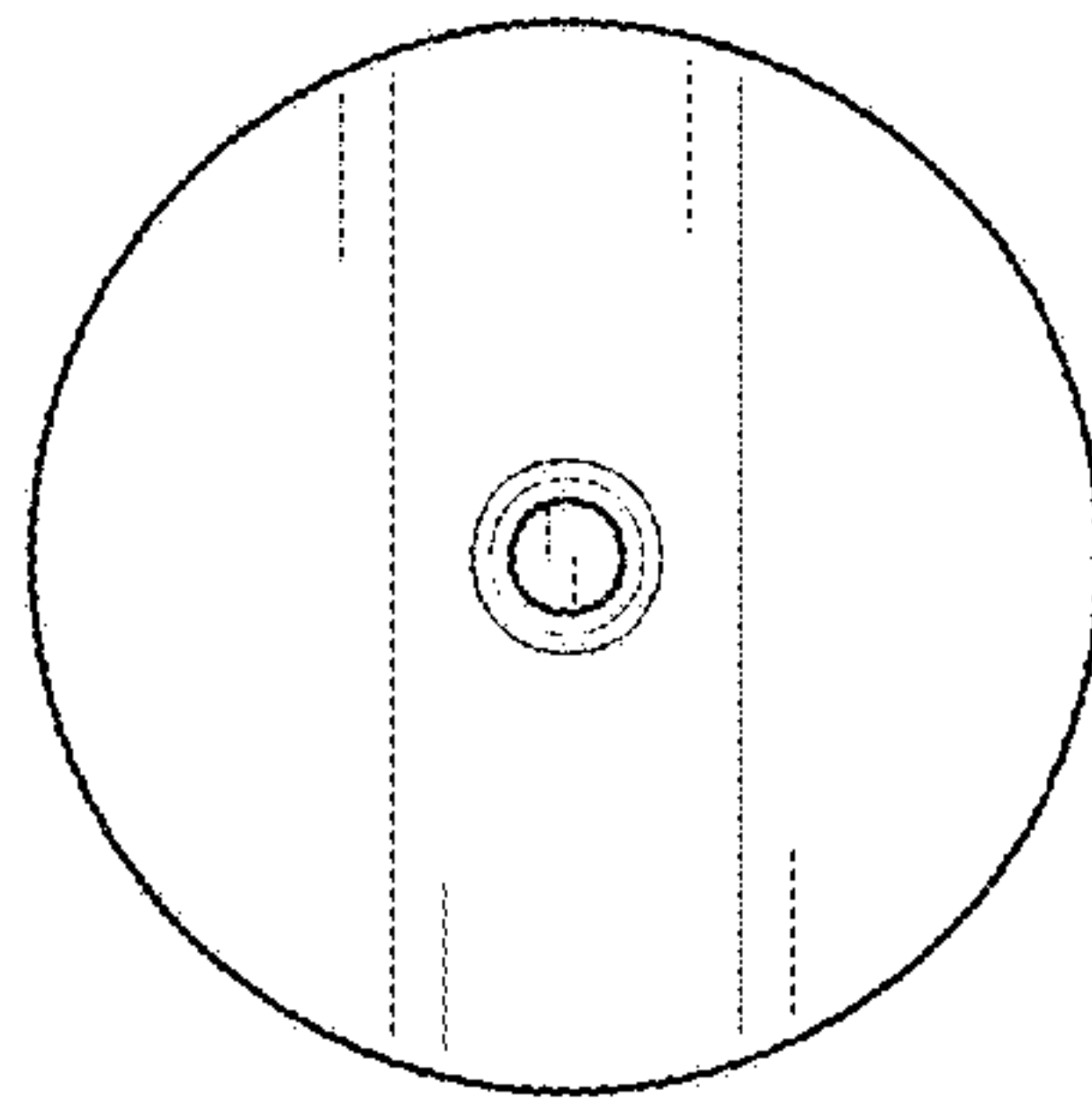


FIG. 10