



US00D854851S

(12) **United States Design Patent** (10) **Patent No.:** **US D854,851 S**  
**Smrstick** (45) **Date of Patent:** **\*\* Jul. 30, 2019**

(54) **SOFA**

(71) Applicant: **Blu Dot Design & Manufacturing, Inc.**, Minneapolis, MN (US)  
(72) Inventor: **Scott Smrstick**, Minneapolis, MN (US)  
(73) Assignee: **Blu Dot Design & Manufacturing, Inc.**, Minneapolis, MN (US)

(\*\*) Term: **15 Years**

(21) Appl. No.: **29/625,819**

(22) Filed: **Nov. 13, 2017**

(51) **LOC (11) Cl.** ..... **06-01**

(52) **U.S. Cl.**  
USPC ..... **D6/381**

(58) **Field of Classification Search**  
USPC ..... D6/334, 335, 349, 367, 368, 369, 374,  
D6/375, 377, 378, 381  
CPC ..... A47C 17/00; A47C 1/00; A47C 3/12  
See application file for complete search history.

(56) **References Cited**

**U.S. PATENT DOCUMENTS**

D177,886 S *	5/1956	Thaden	.....	D6/375
D375,845 S *	11/1996	Mourgue	.....	D6/334
D403,167 S *	12/1998	Hutton	.....	D6/334
D477,472 S *	7/2003	Bauchet	.....	D6/381
D501,330 S *	2/2005	Gomez	.....	D6/334
D677,475 S *	3/2013	Bellini	.....	D6/334
D740,583 S *	10/2015	Nigro	.....	D6/375
D794,349 S *	8/2017	Levy	.....	D6/374
D802,310 S *	11/2017	Rockwell	.....	D6/334
D806,429 S *	1/2018	Numen/ForUse	.....	D6/375
D807,067 S *	1/2018	Vance	.....	D6/334
D809,316 S *	2/2018	Rockwell	.....	D6/381

**OTHER PUBLICATIONS**

Blu Dot Catalog No. 16, Designed in Minneapolis, Minnesota, published 2015, 44 pages.  
Blu Dot Catalog No. 17, Designed in Minneapolis, Minnesota, published 2015, 52 pages.  
Blu Dot Catalog No. 18, Designed in Minneapolis, Minnesota, published 2016, 51 pages.  
Blu Dot Catalog No. 19, Designed in Minneapolis, Minnesota, published 2016, 54 pages.

\* cited by examiner

*Primary Examiner* — Deanna L Pratt

(74) *Attorney, Agent, or Firm* — Fredrikson & Byron, P.A.

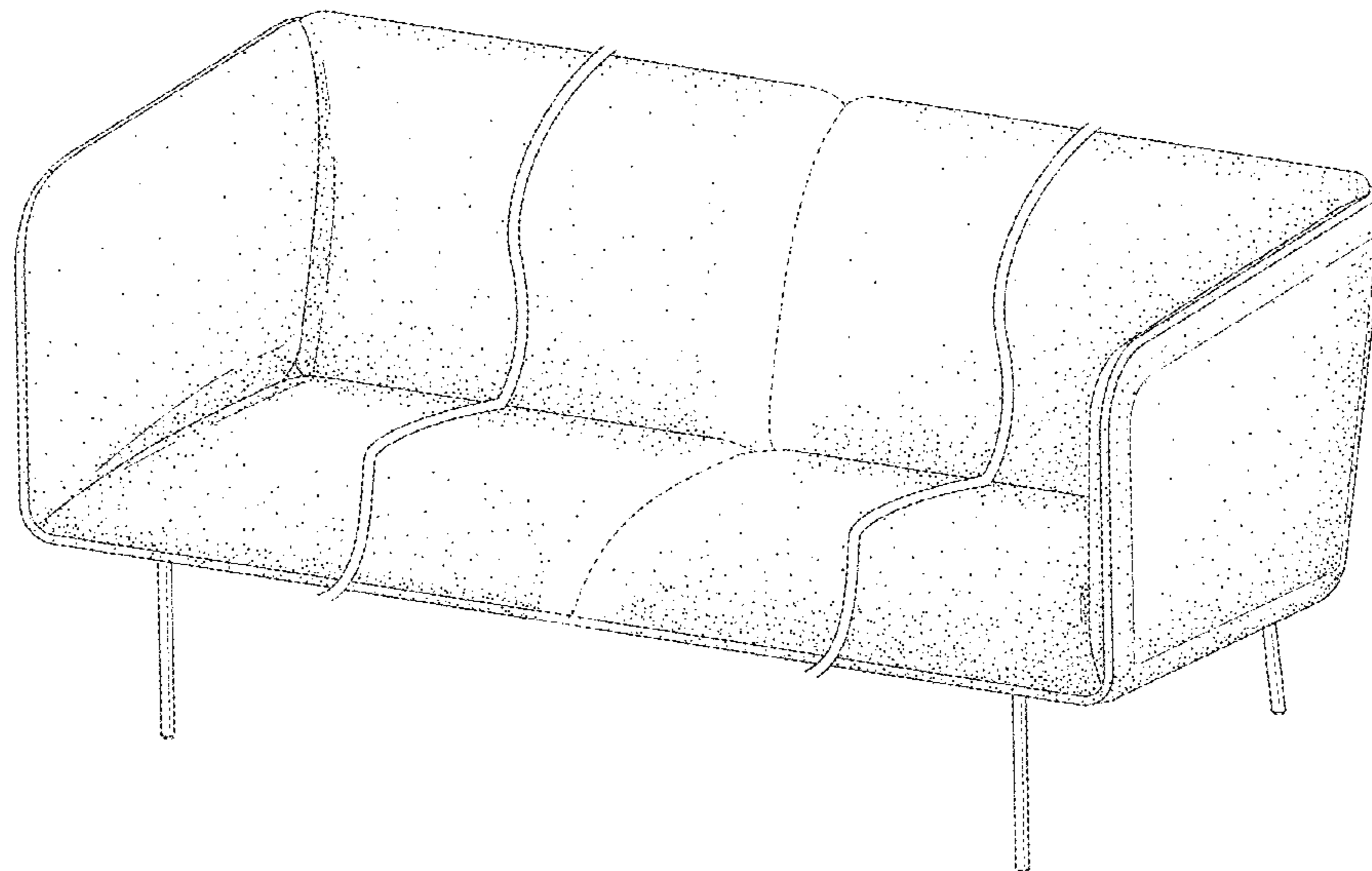
(57) **CLAIM**

Applicant claims the ornamental design for a sofa, as shown and described.

**DESCRIPTION**

FIG. 1 is a front perspective view of a sofa of Applicant's design;  
FIG. 2 is a front elevational view thereof;  
FIG. 3 is a rear elevational view thereof;  
FIG. 4 is a first side elevational view thereof, the second side elevational view opposite the first side elevational view and being a mirror image thereof;  
FIG. 5 is a top plan view thereof; and,  
FIG. 6 is a bottom plan view thereof.  
The broken lines illustrate portions of the sofa that form no part of the claimed design.  
The appearance of any portion of the sofa between one set of the break lines or between the other set of the break lines forms no part of the claimed design.

**1 Claim, 6 Drawing Sheets**



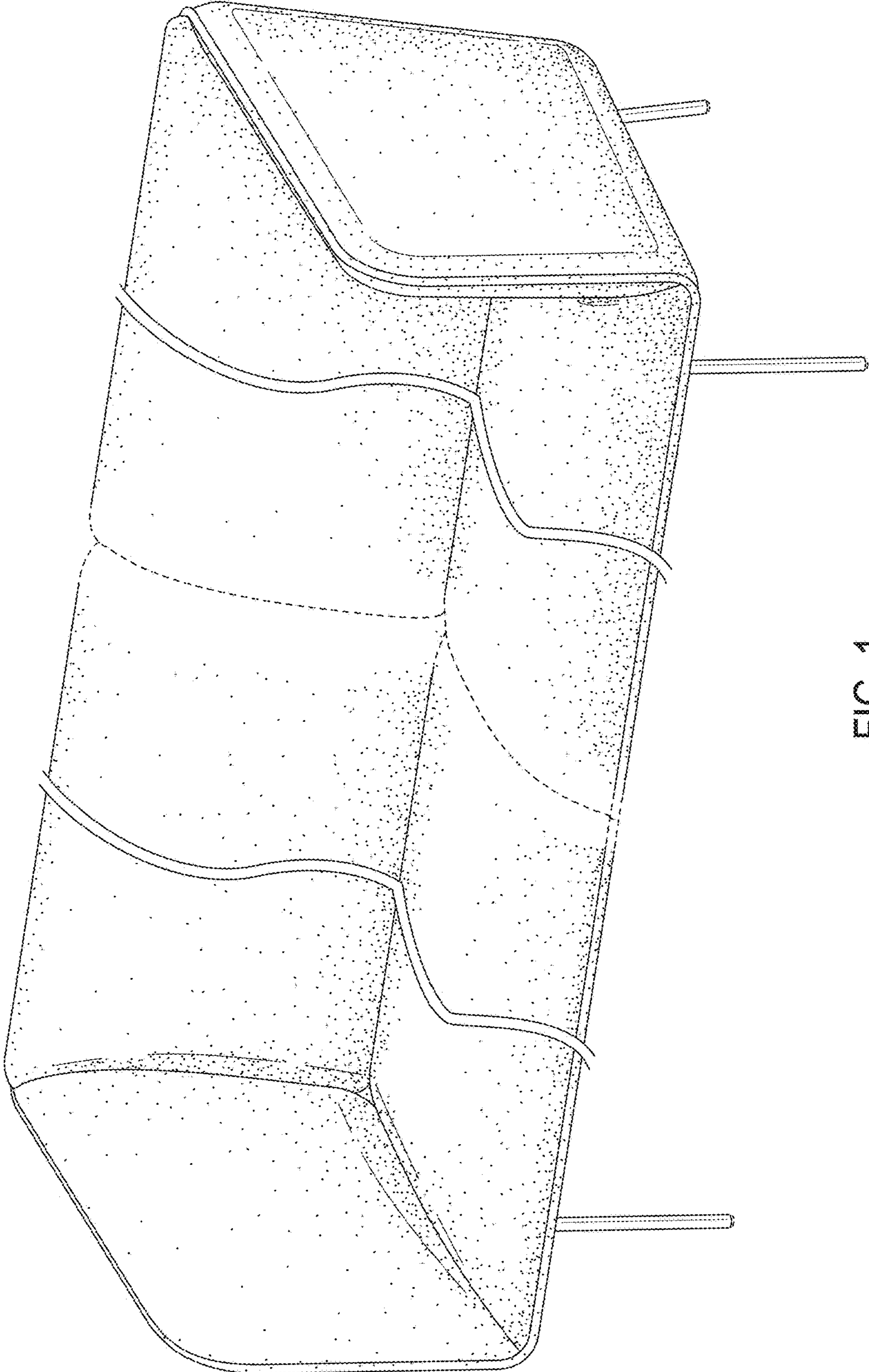


FIG. 1

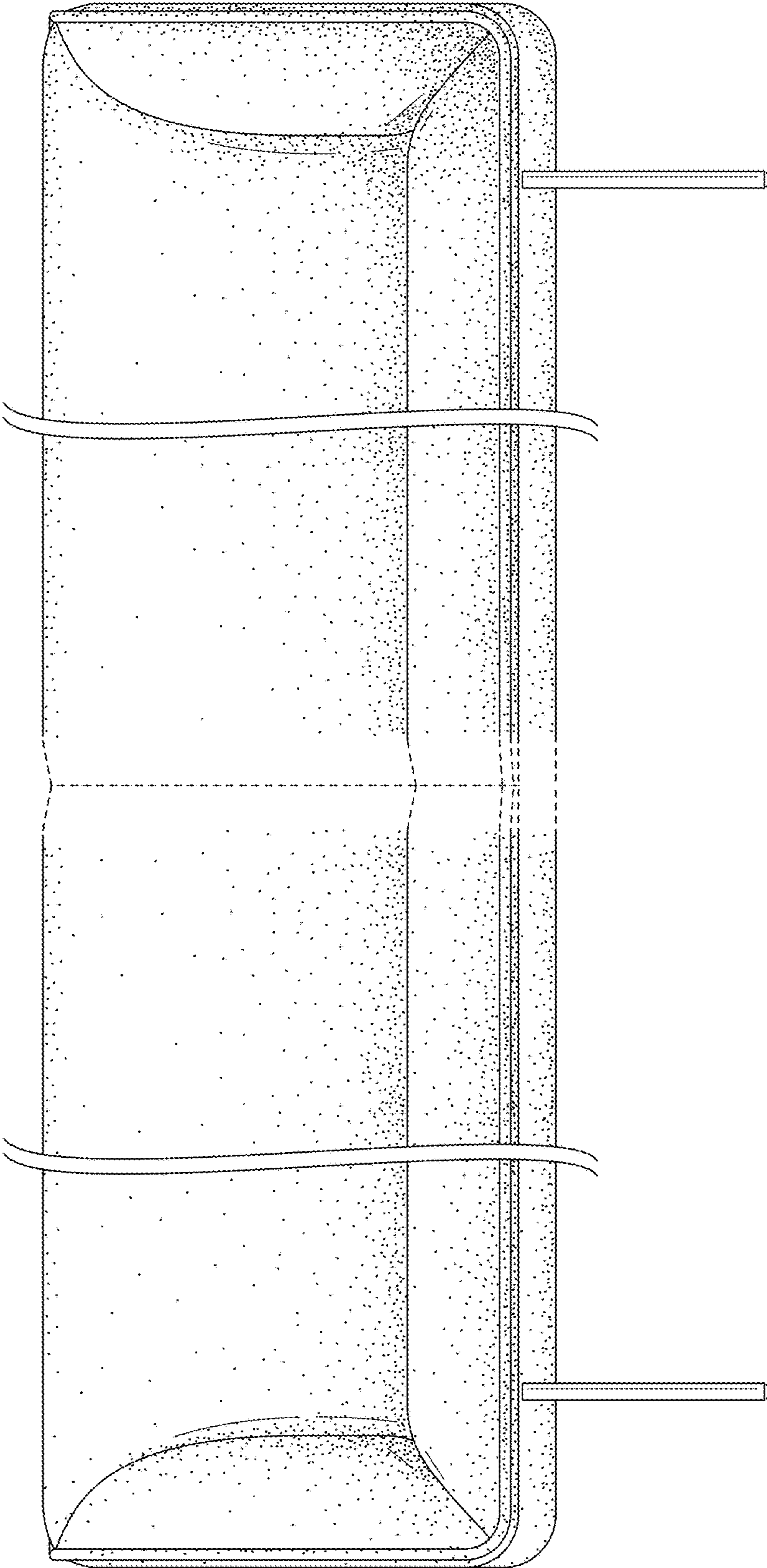


FIG. 2

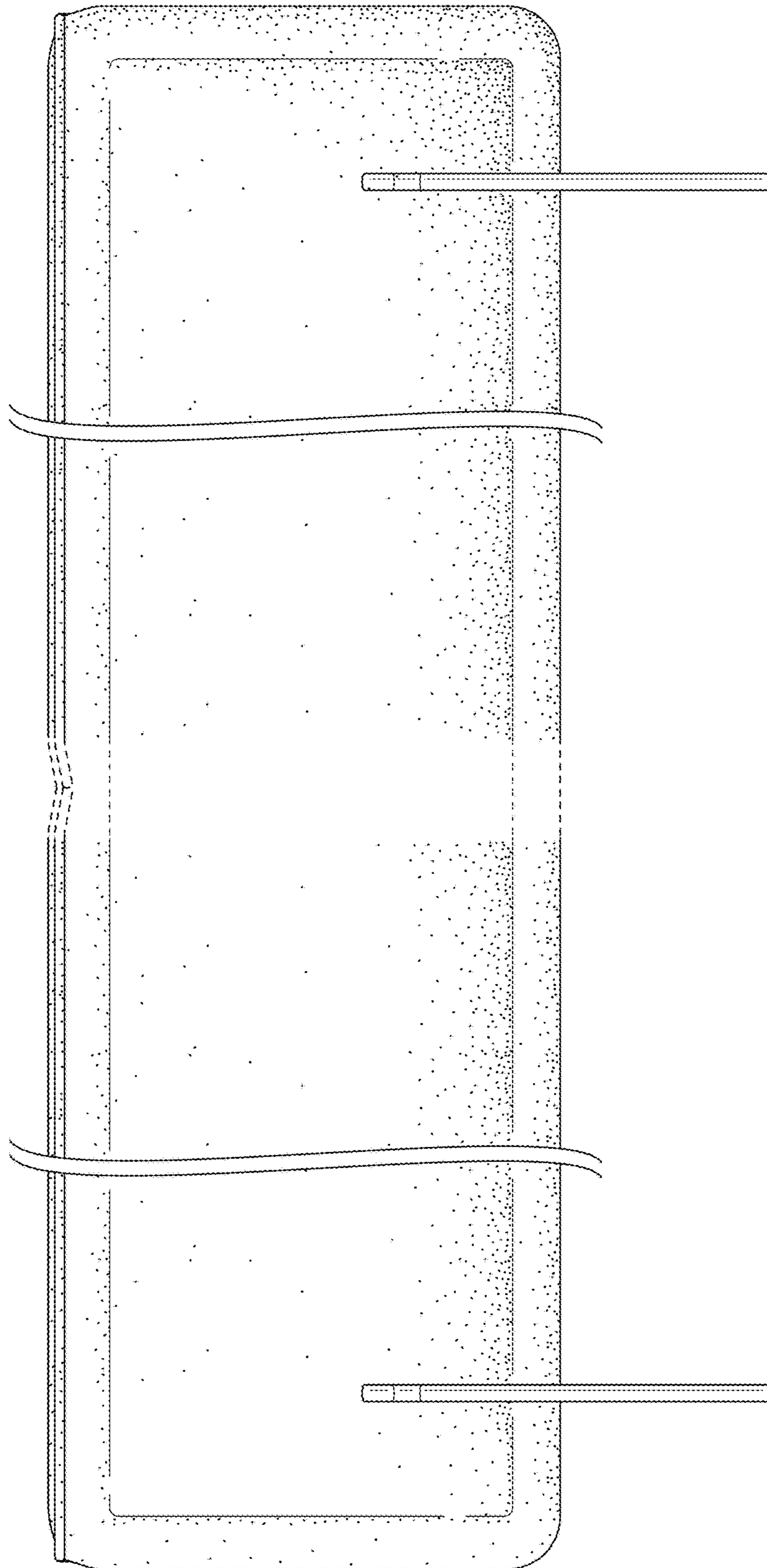


FIG. 3

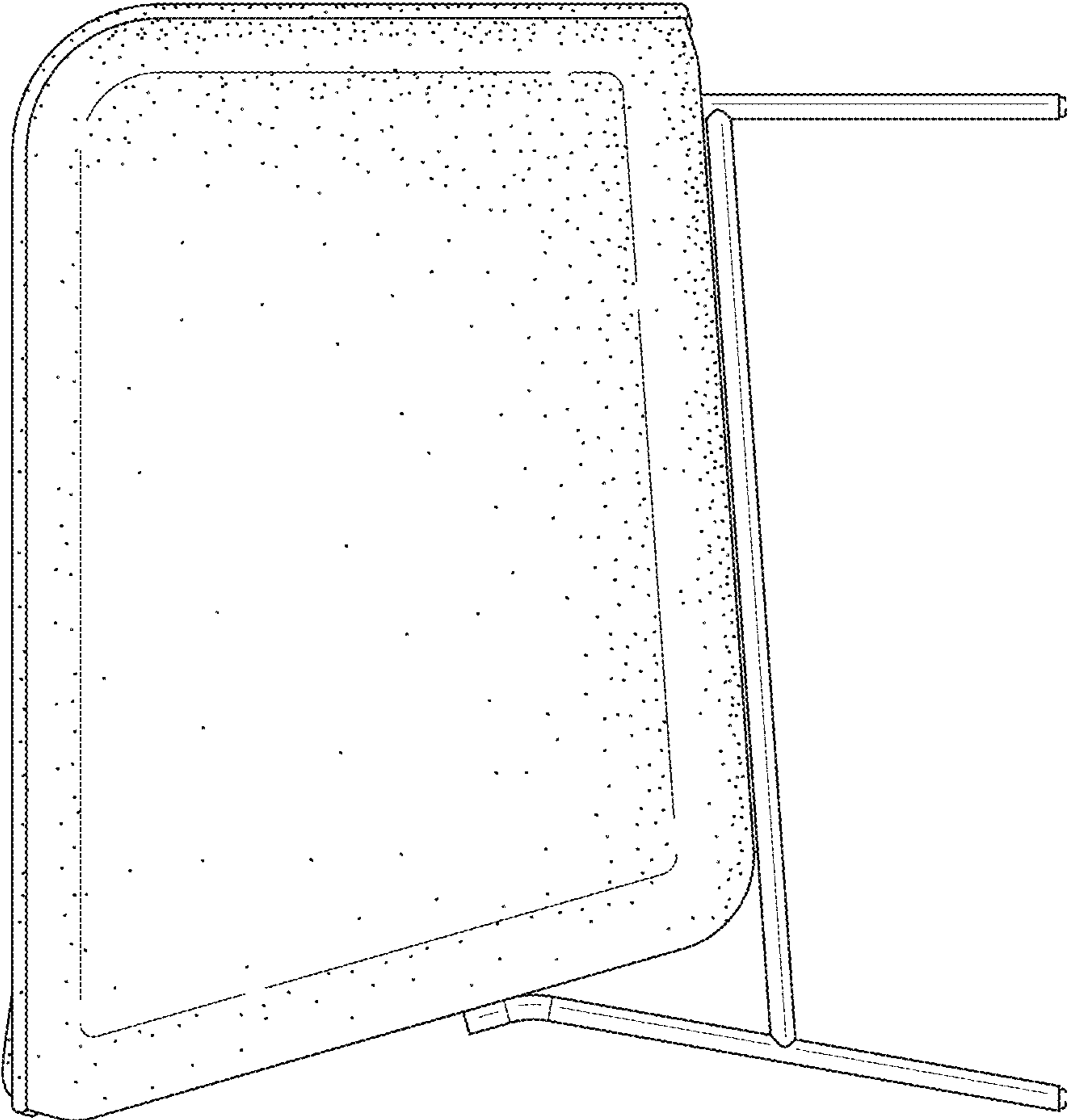


FIG. 4

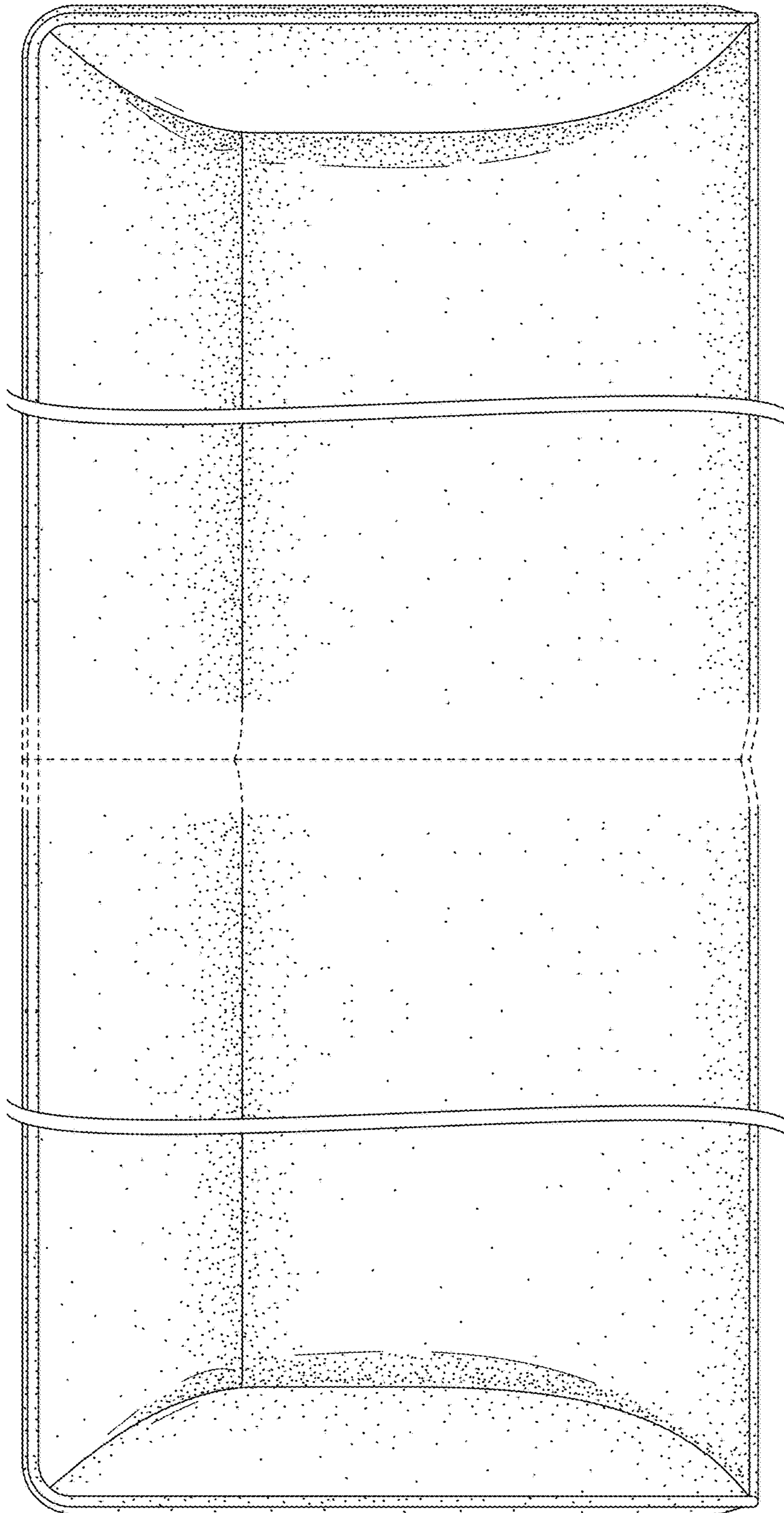


FIG. 5

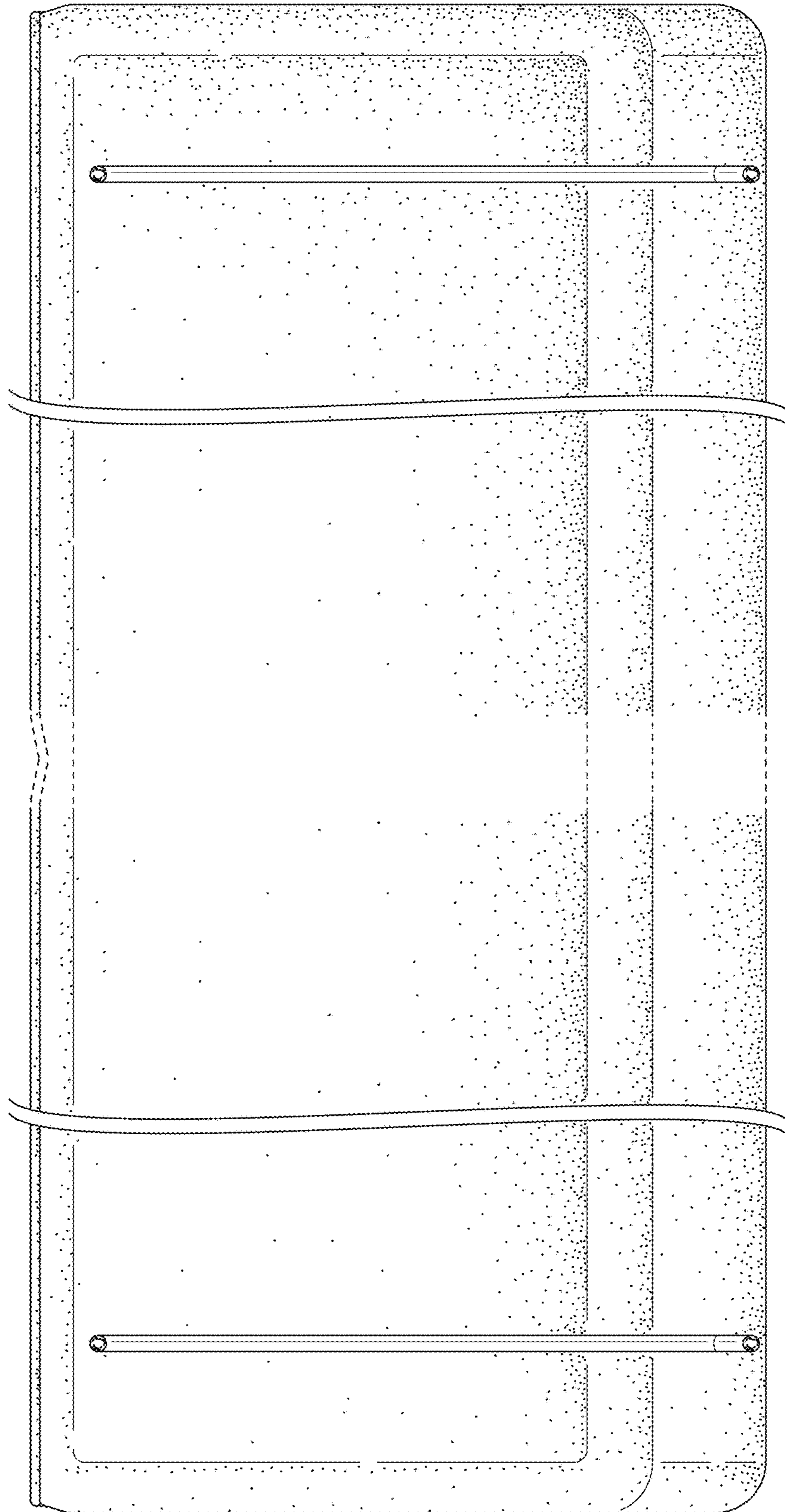


FIG. 6