



US00D854850S

(12) **United States Design Patent**
Lopez

(10) **Patent No.:** **US D854,850 S**

(45) **Date of Patent:** **** Jul. 30, 2019**

(54) **BENCH**

D798,627 S * 10/2017 Rockwell D6/381
D814,823 S * 4/2018 Barrell D6/381
D818,734 S * 5/2018 Yang D6/381

(71) Applicant: **R. Adrian Lopez**, Encino, CA (US)

(72) Inventor: **R. Adrian Lopez**, Encino, CA (US)

* cited by examiner

(73) Assignee: **Noble House Home Furnishings, LLC**, Chatsworth, CA (US)

Primary Examiner — Deanna L Pratt

(**) Term: **15 Years**

(21) Appl. No.: **29/621,634**

(57) **CLAIM**

(22) Filed: **Oct. 10, 2017**

The ornamental design for a bench, as shown and described.

(51) **LOC (11) Cl.** **06-01**

(52) **U.S. Cl.**
USPC **D6/381**

DESCRIPTION

(58) **Field of Classification Search**
USPC D6/334, 335, 349, 367, 368, 369, 374,
D6/375, 377, 378, 381
CPC A47C 17/00; A47C 1/00; A47C 4/028
See application file for complete search history.

FIG. 1 is a perspective view of a bench showing my new design;
FIG. 2 is a front view thereof;
FIG. 3 is a back view thereof;
FIG. 4 is a right side view thereof;
FIG. 5 is a left side view thereof;
FIG. 6 is a top view thereof; and,
FIG. 7 is a bottom view thereof.

(56) **References Cited**

U.S. PATENT DOCUMENTS

1 Claim, 7 Drawing Sheets

D443,770 S * 6/2001 Corella D6/381
D686,003 S * 7/2013 Arko D6/334



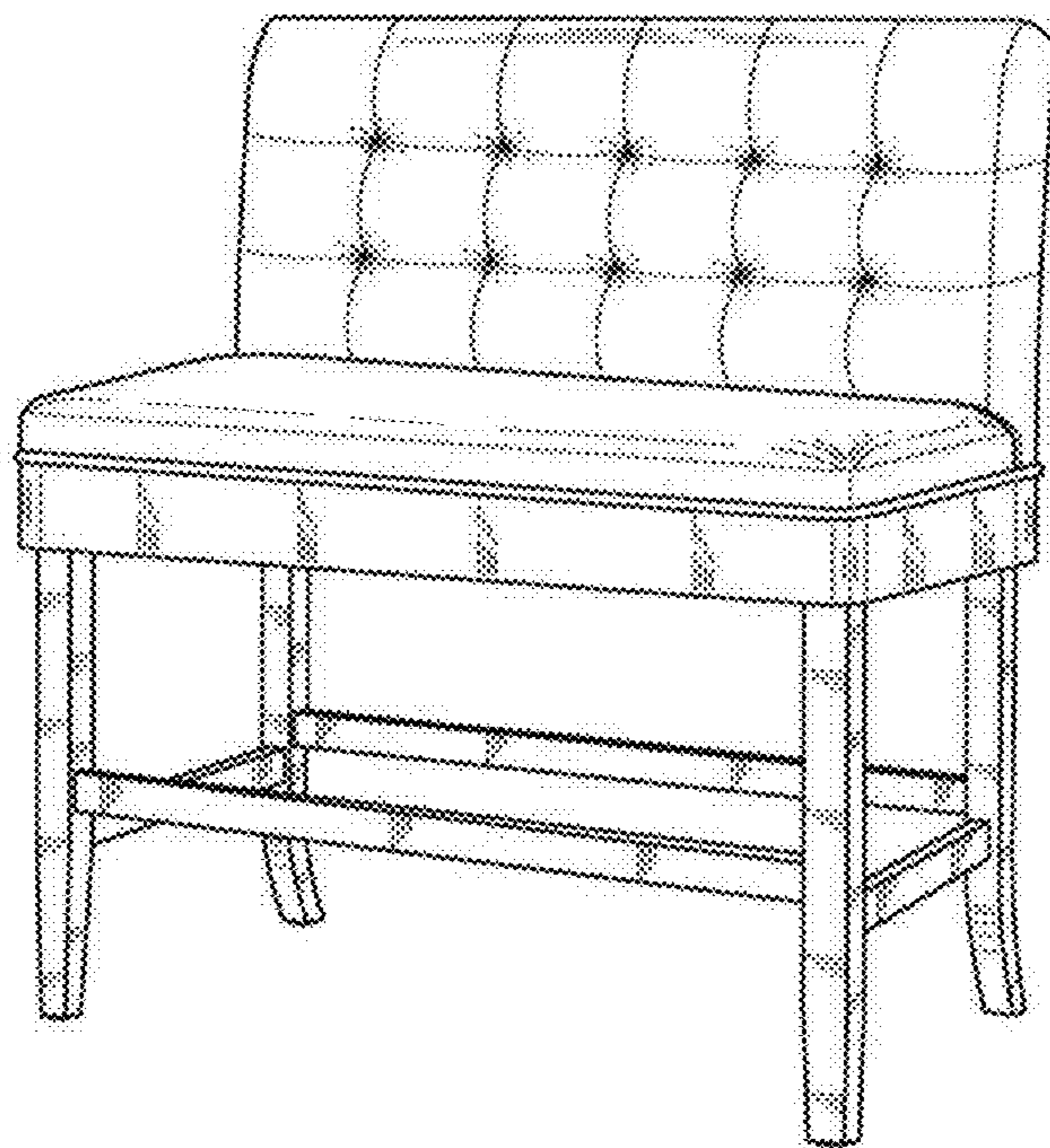


FIG. 1

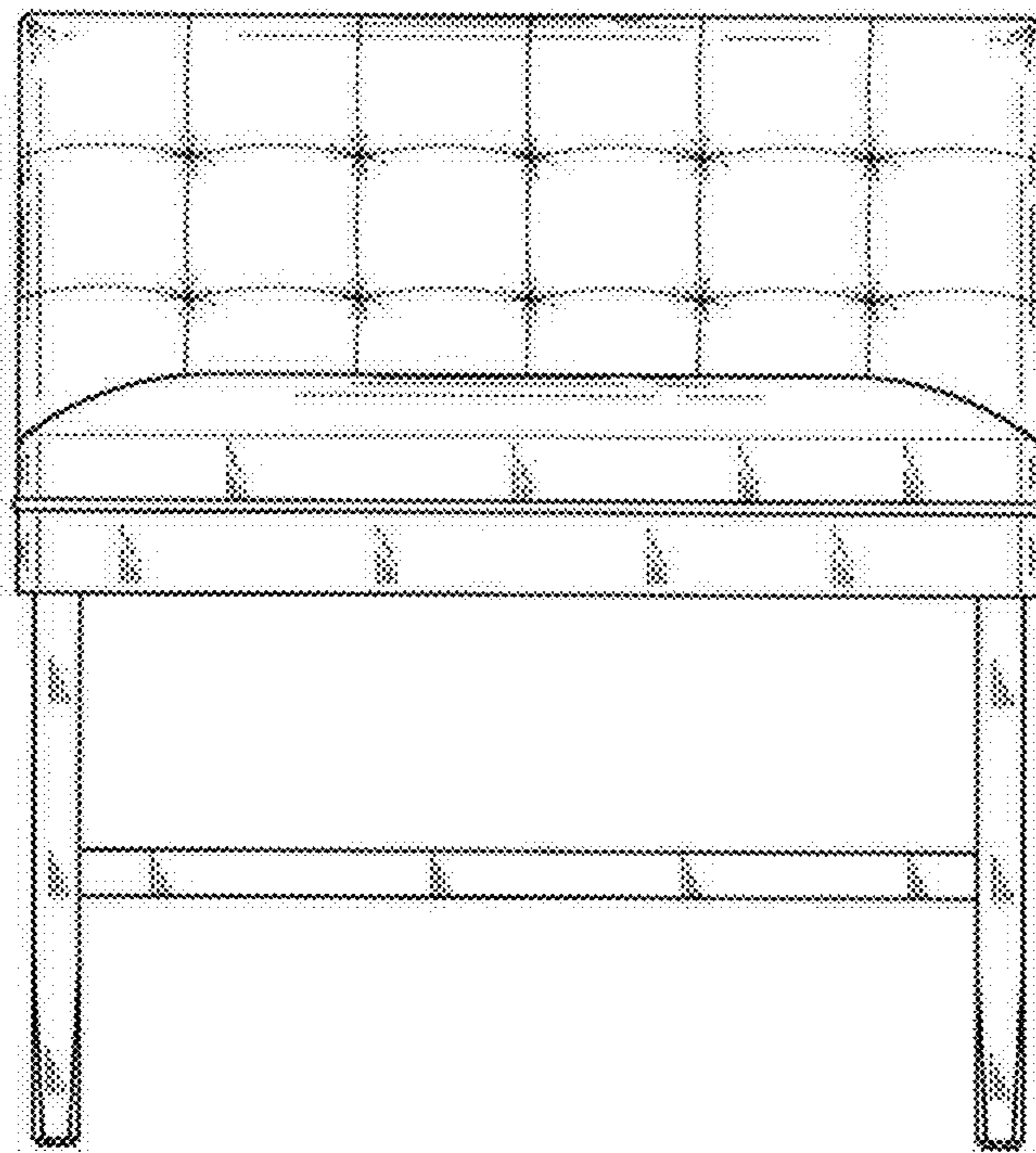


FIG. 2

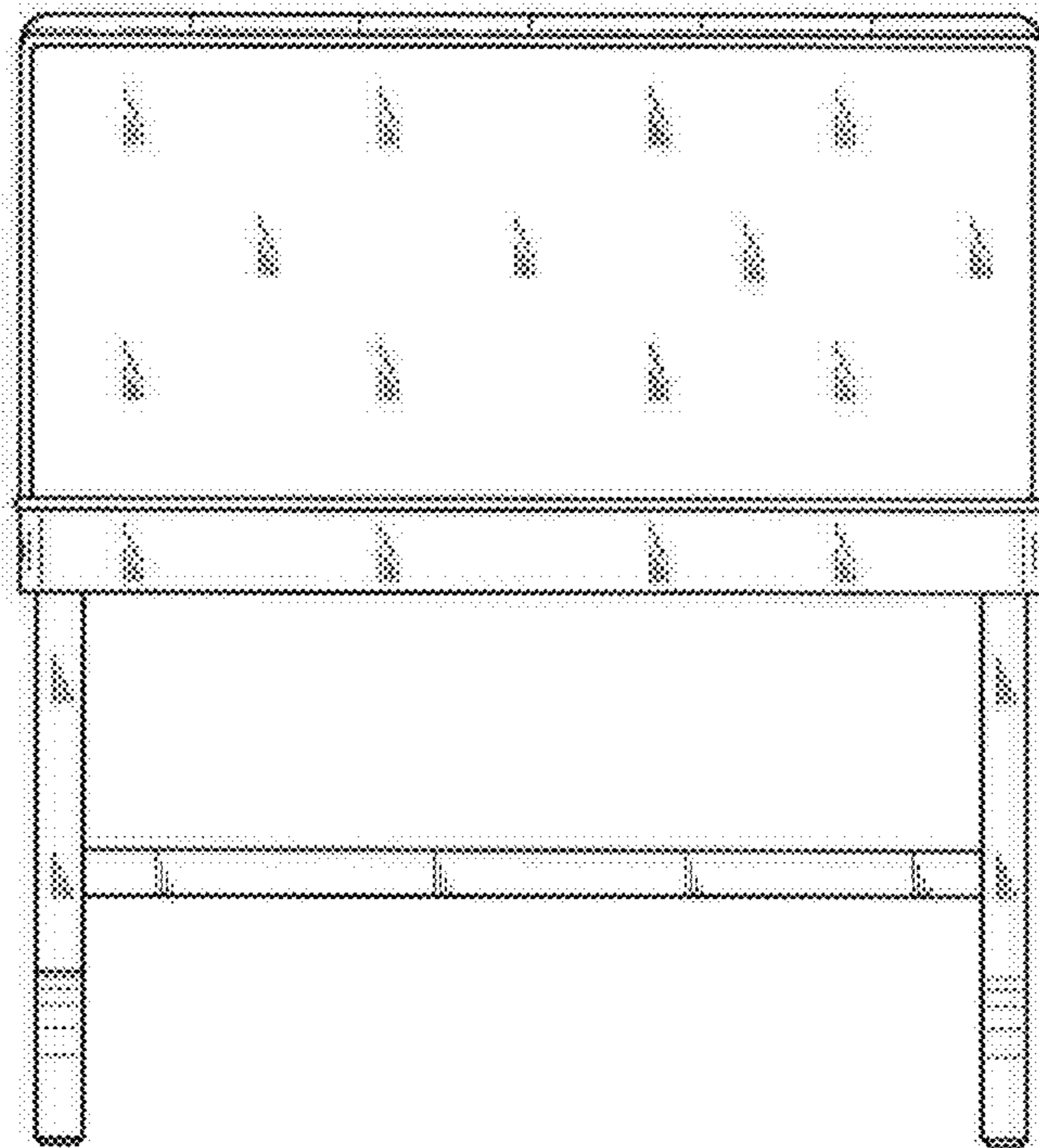


FIG. 3

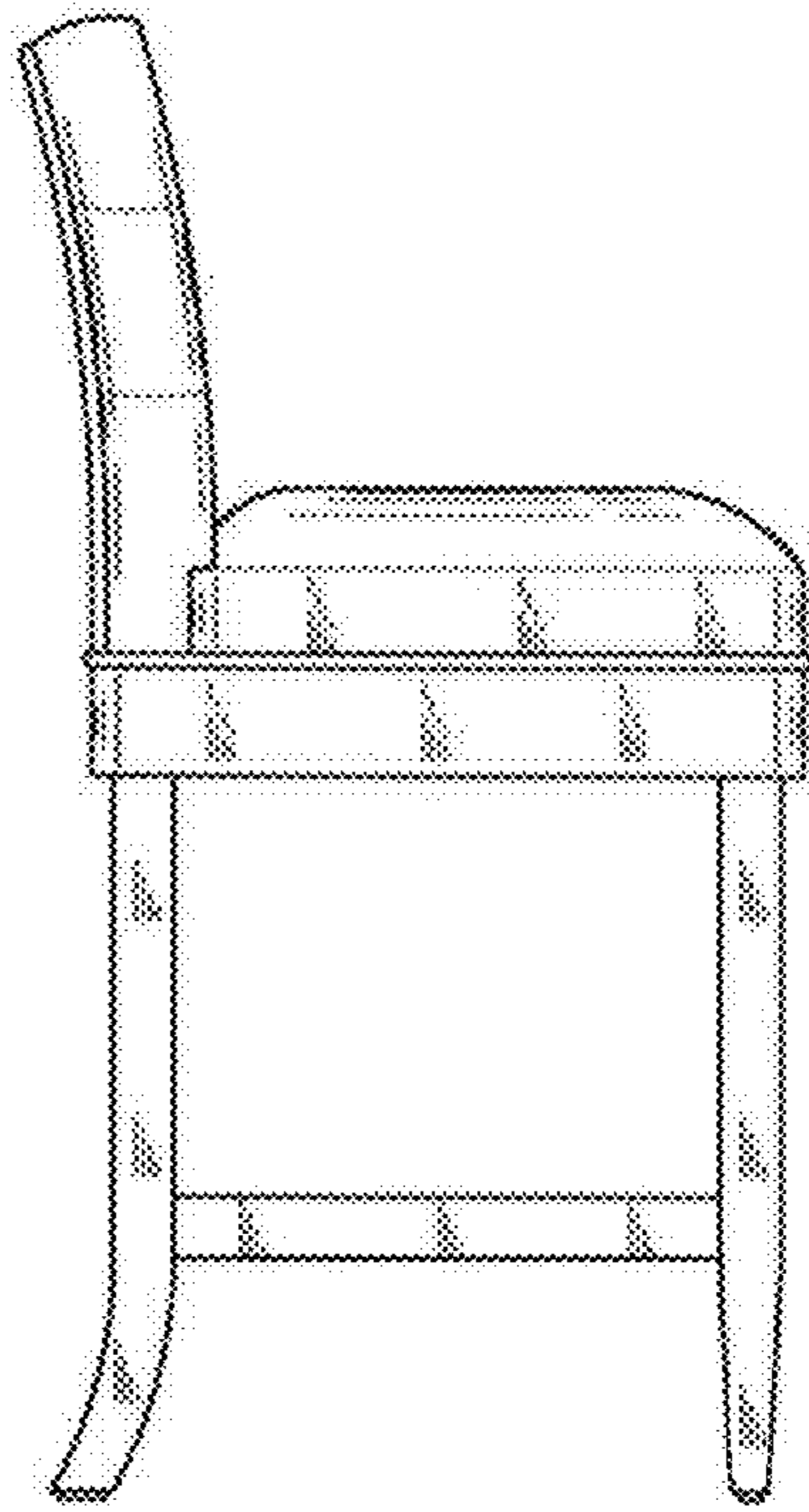


FIG. 4

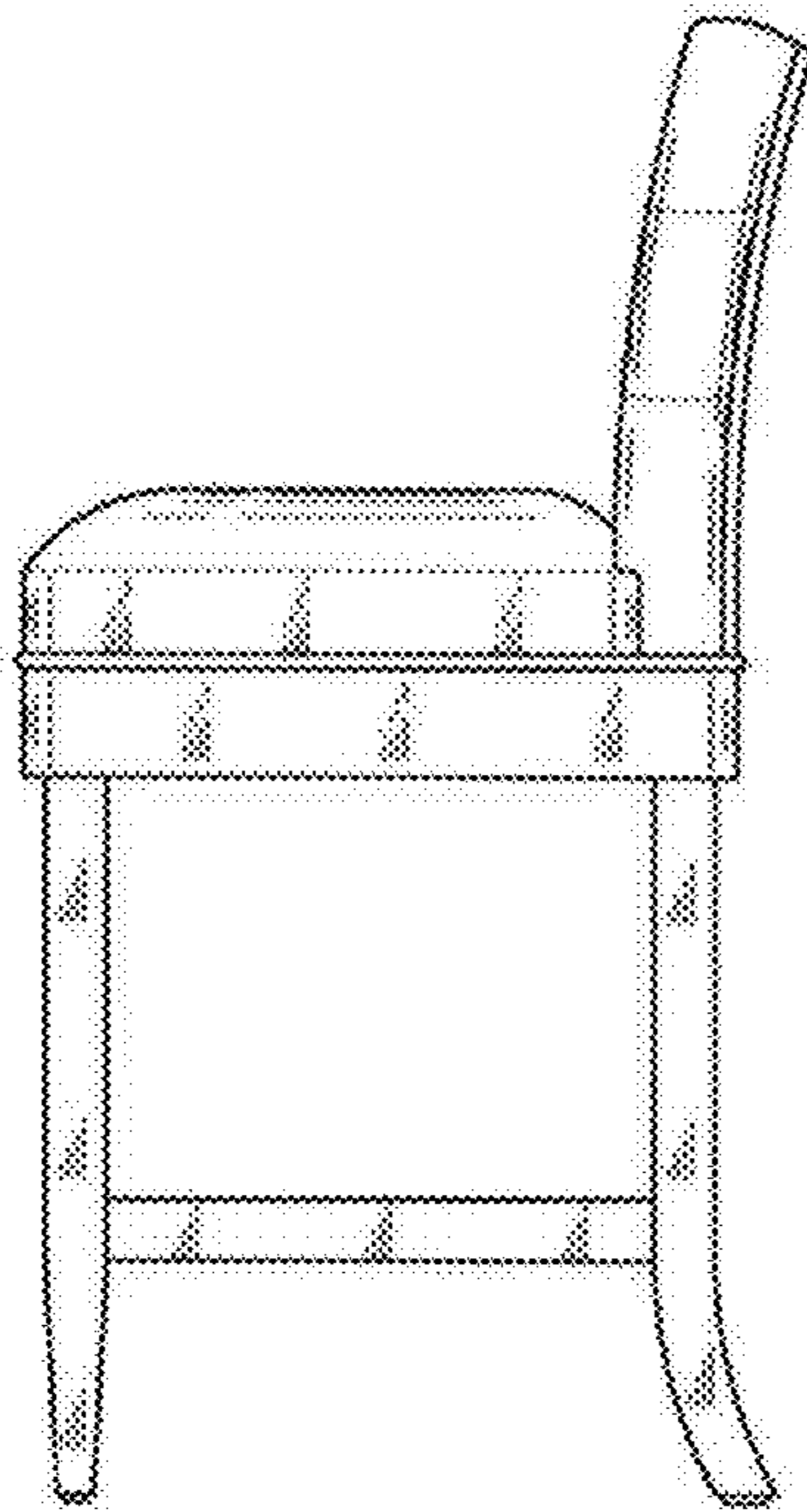


FIG. 5

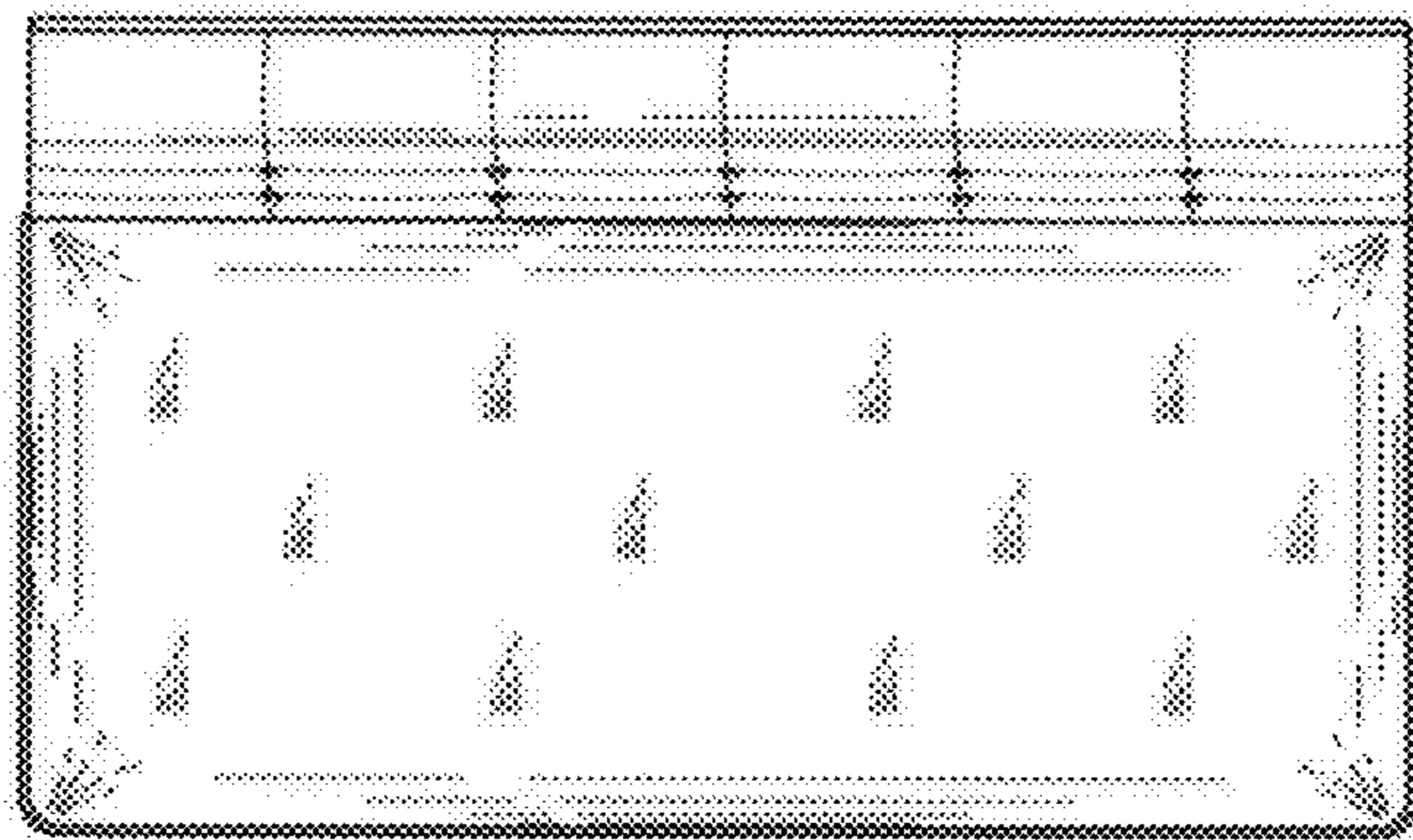


FIG. 6

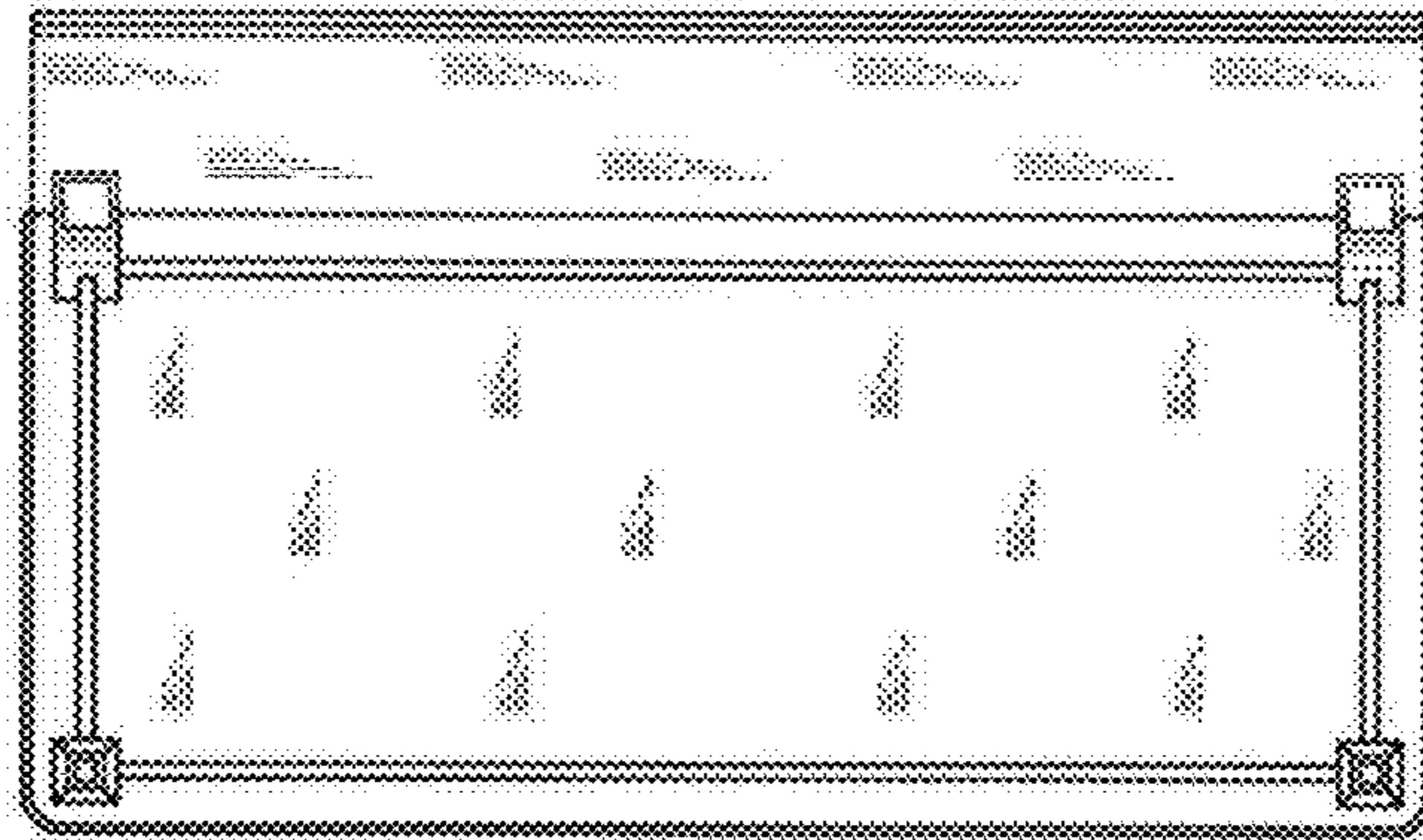


FIG. 7