



US00D854848S

(12) **United States Design Patent**  
**Palomba et al.**

(10) **Patent No.:** **US D854,848 S**  
(45) **Date of Patent:** **\*\* Jul. 30, 2019**

(54) **CHAIR**

(71) Applicant: **KARTELL S.p.A.**, Milan (IT)

(72) Inventors: **Roberto Palomba**, Milan (IT);  
**Ludovica Desideria Pozzi Serafini**,  
Milan (IT)

(73) Assignee: **Kartell S.p.A.** (IT)

(\*\*) Term: **15 Years**

(21) Appl. No.: **29/630,875**

(22) Filed: **Dec. 22, 2017**

(30) **Foreign Application Priority Data**

Oct. 20, 2017 (EM) ..... 004414522

(51) **LOC (11) Cl.** ..... **06-01**

(52) **U.S. Cl.**  
USPC ..... **D6/374**

(58) **Field of Classification Search**  
USPC ..... D6/334-336, 371-373, 374, 375, 379,  
D6/380, 716, 716.1, 716.2, 716.3, 716.4  
CPC .... A47C 3/04; A47C 4/02; A47C 4/03; A47C  
4/028; A47C 5/06; A47C 5/14; A47C  
7/16  
See application file for complete search history.

(56) **References Cited**

**U.S. PATENT DOCUMENTS**

D155,272 S \* 9/1949 Eames ..... D6/374  
2,747,654 A \* 5/1956 Chapman ..... A47C 5/06  
297/170

D181,241 S \* 10/1957 Swanson ..... D6/374  
D323,943 S \* 2/1992 Piretti ..... D6/380  
D376,272 S \* 12/1996 Piretti ..... D6/374  
D388,629 S \* 1/1998 Piretti ..... D6/374  
D395,177 S \* 6/1998 Dammerman ..... D6/379  
D411,772 S \* 7/1999 Piretti ..... D6/374

\* cited by examiner

*Primary Examiner* — Mimoso De

(74) *Attorney, Agent, or Firm* — Saidman DesignLaw  
Group, LLC

(57) **CLAIM**

The ornamental design for a chair, as shown and described.

**DESCRIPTION**

FIG. 1 is a perspective view of a chair showing our new design;  
FIG. 2 is a front view thereof;  
FIG. 3 is a rear view thereof;  
FIG. 4 is a right side view thereof;  
FIG. 5 is a left side view thereof;  
FIG. 6 is a top view thereof; and,  
FIG. 7 is a bottom view thereof.  
Grayscale shading as well as shadows and reflections illustrates contour and not surface ornamentation or any particular color.

**1 Claim, 7 Drawing Sheets**



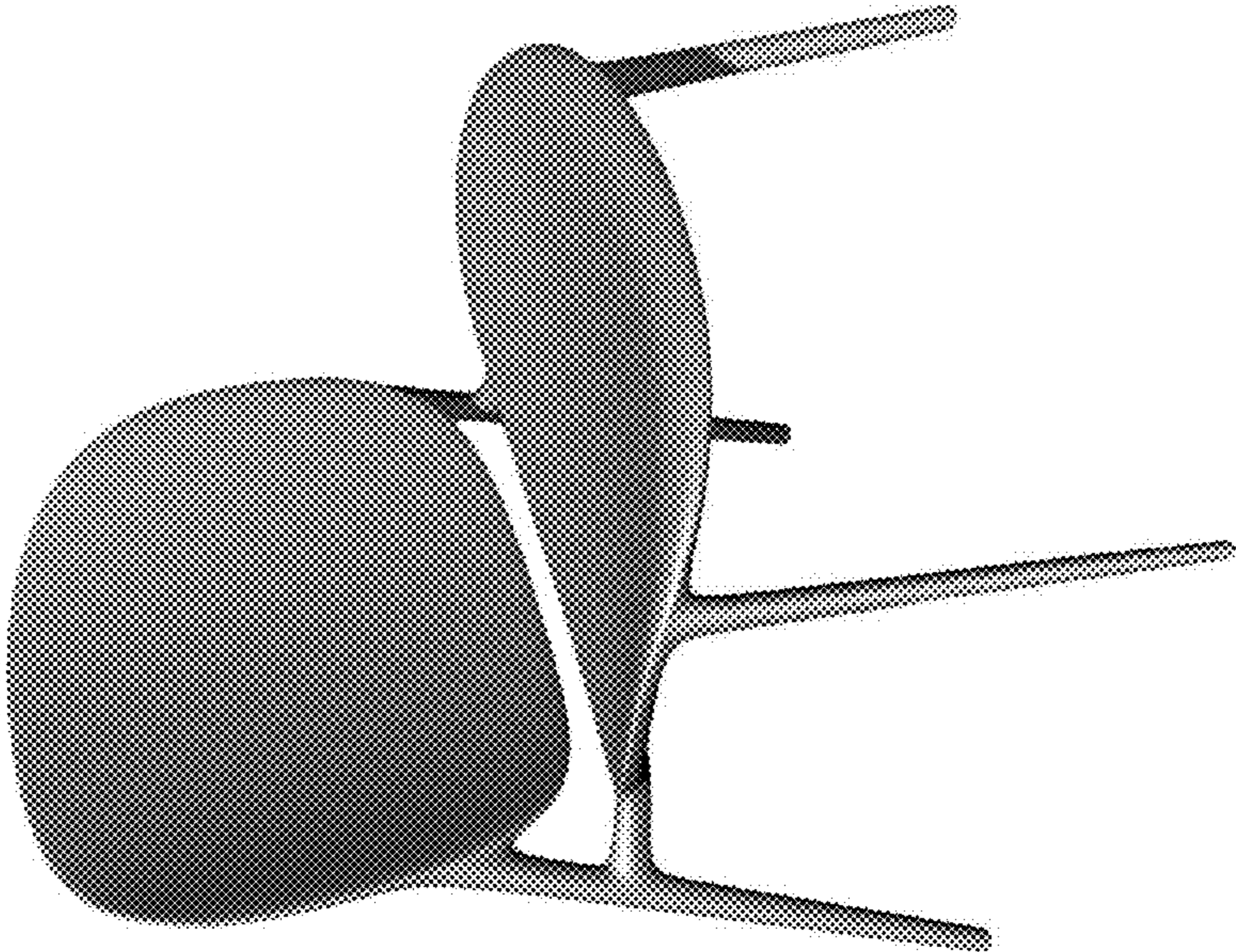


FIG. 1

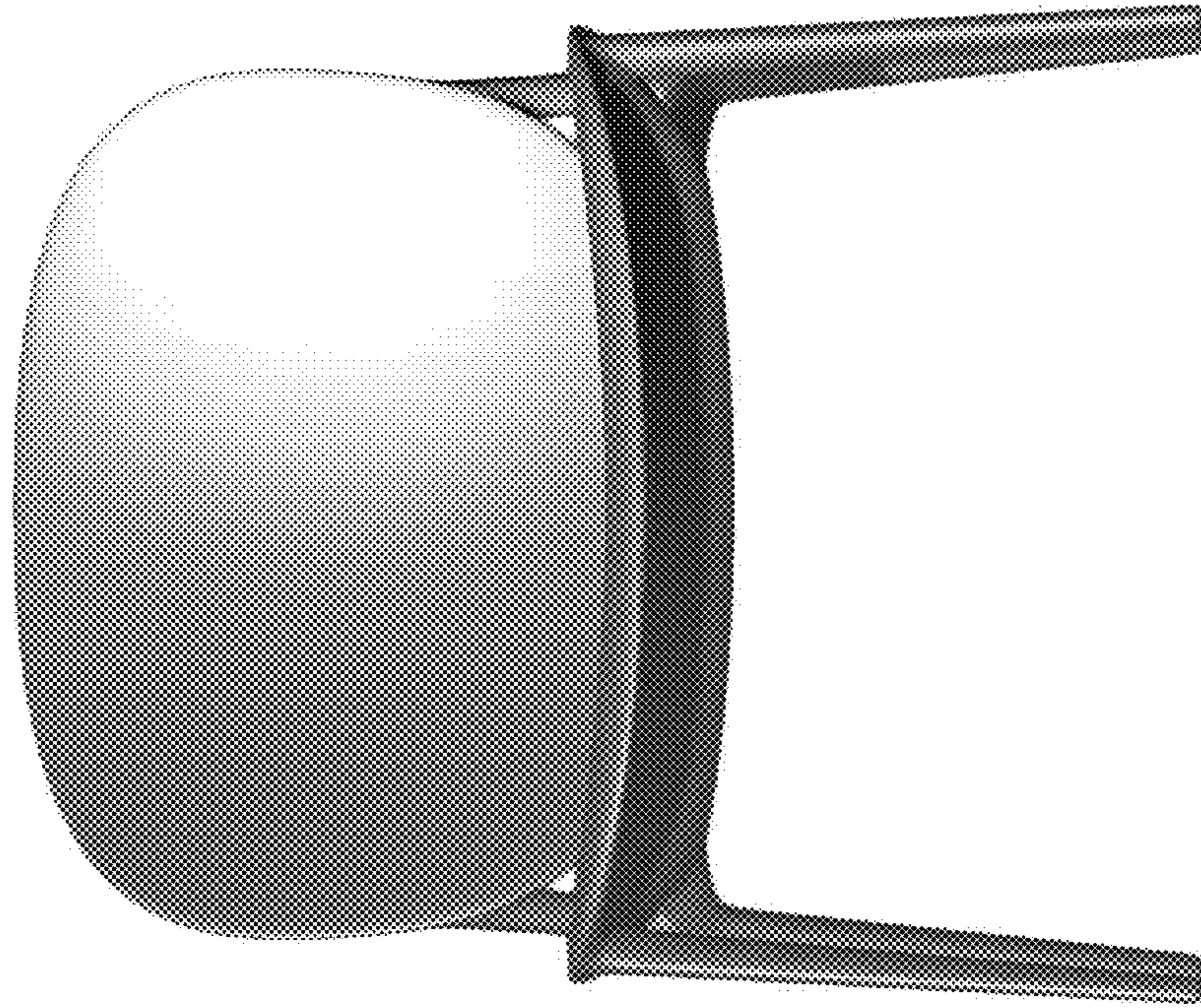


FIG. 2

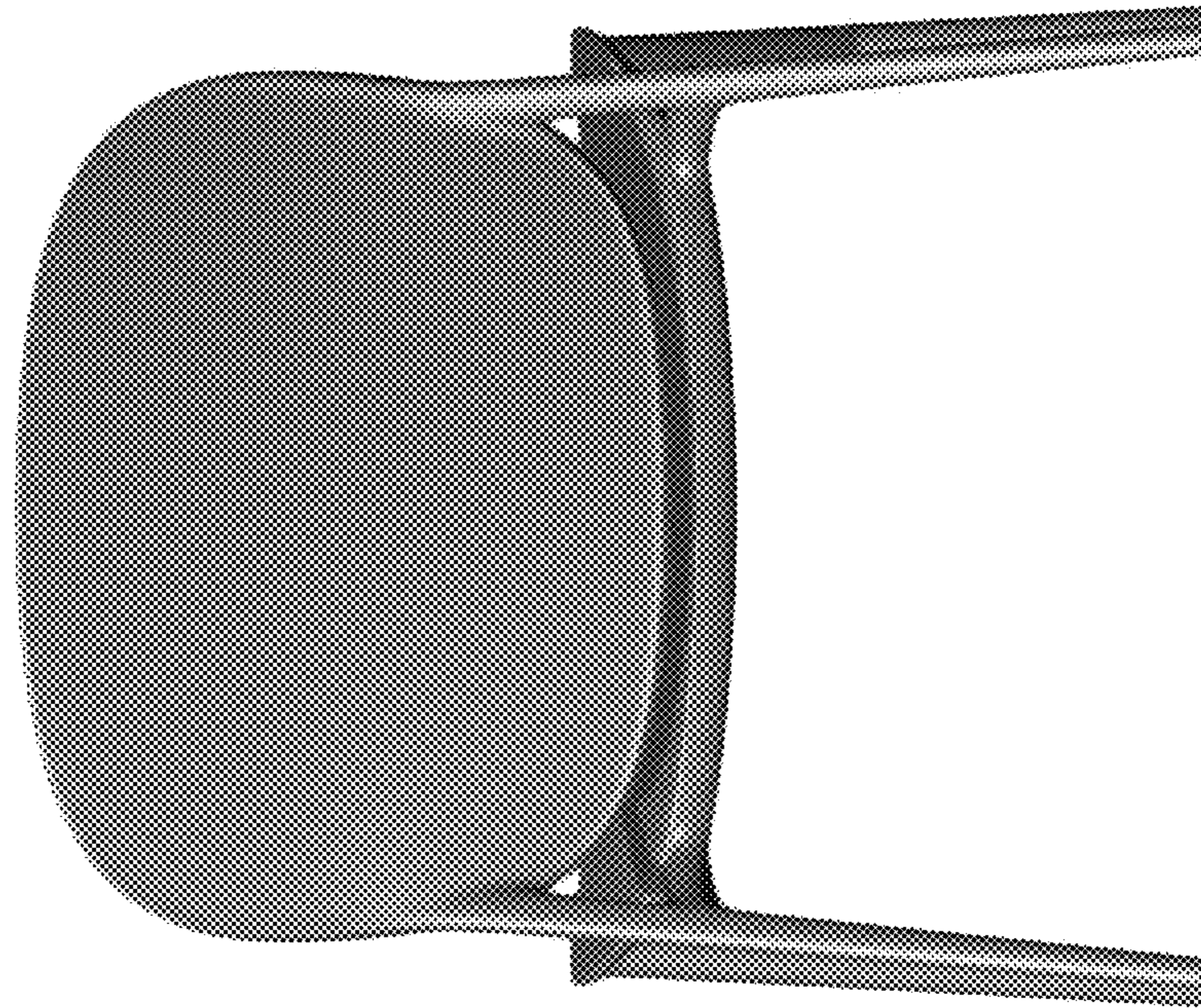


FIG. 3

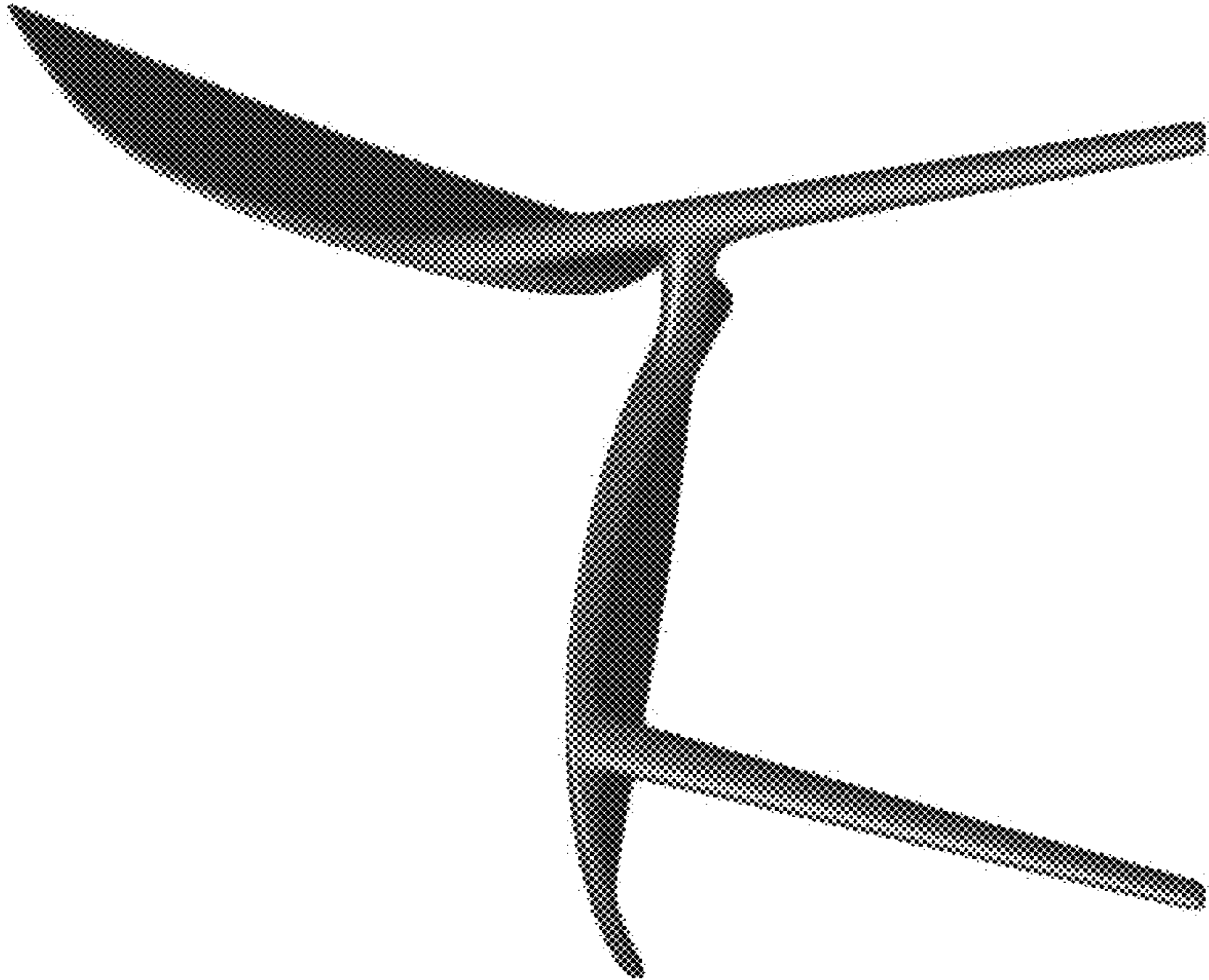


FIG. 4

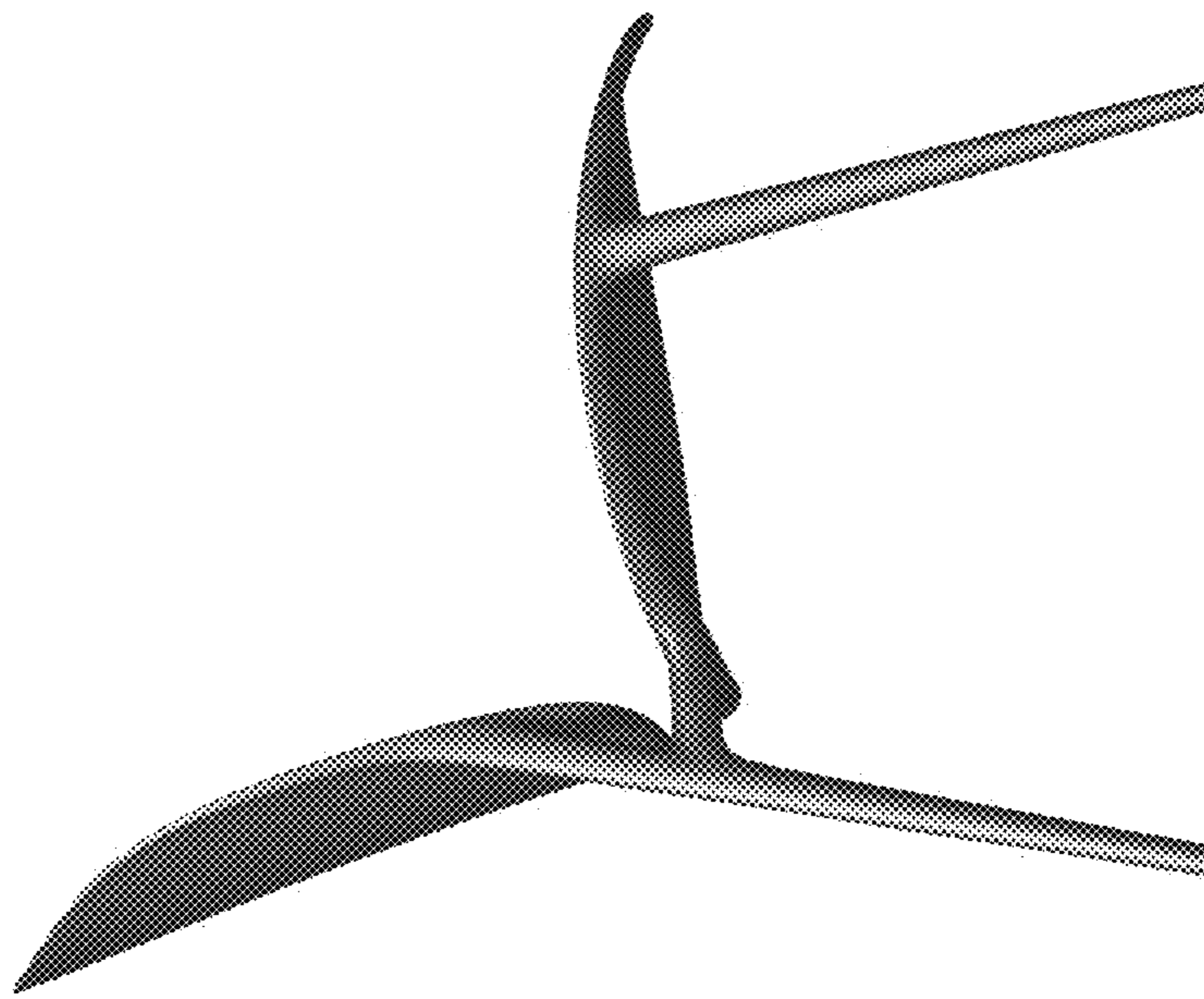


FIG. 5

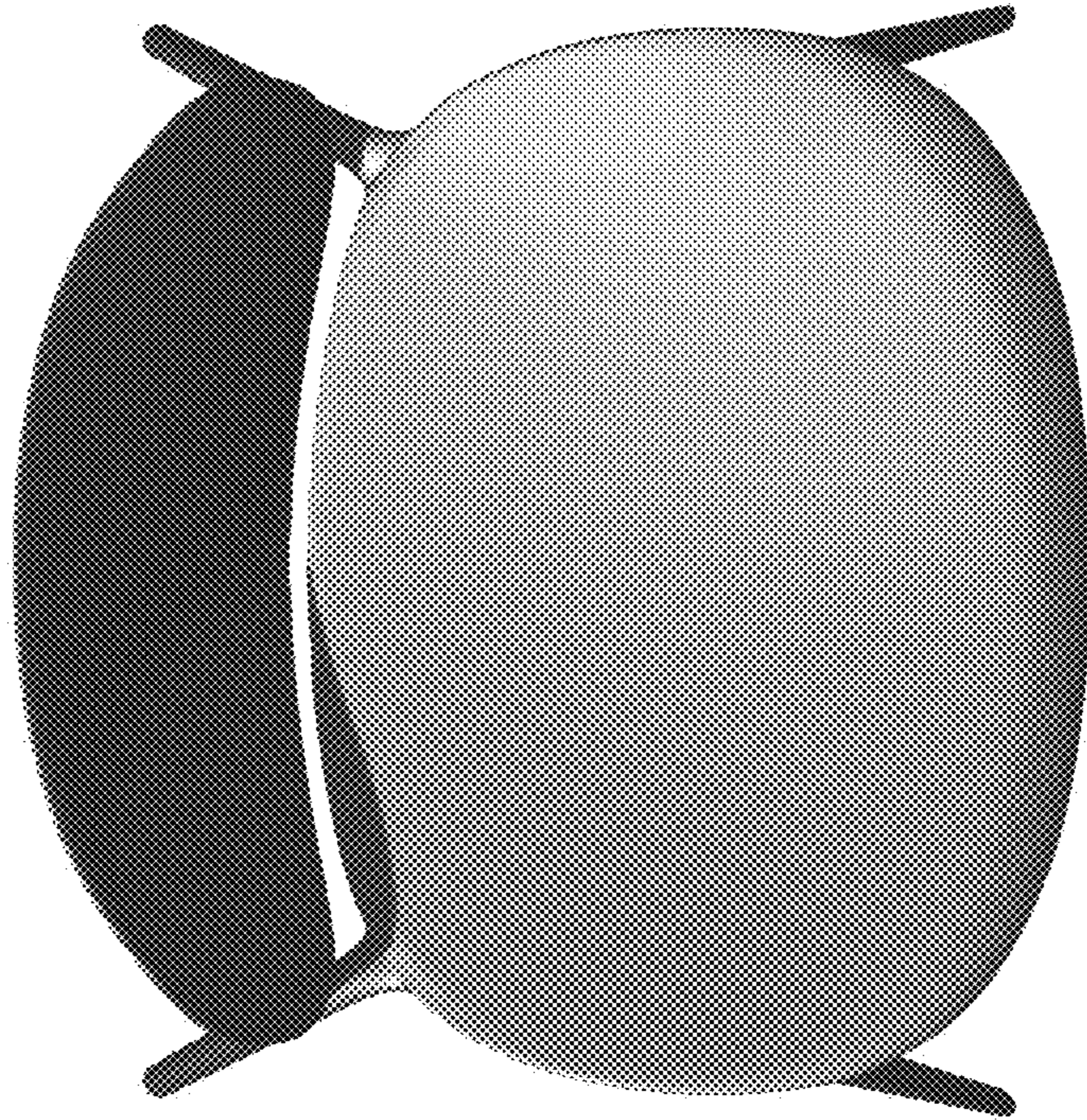


FIG. 6

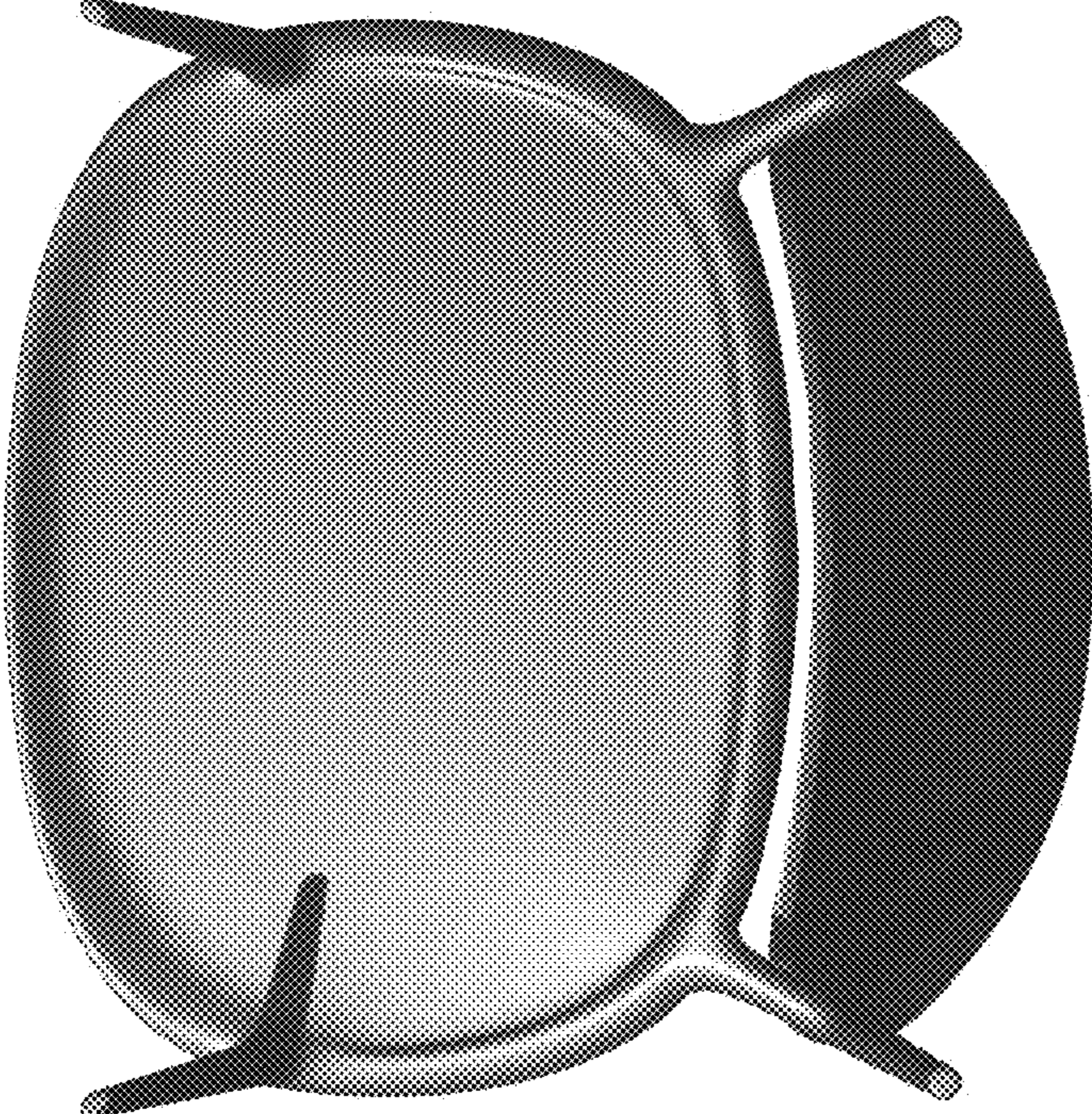


FIG. 7