



US00D854846S

(12) **United States Design Patent** (10) **Patent No.:** **US D854,846 S**
Shen (45) **Date of Patent:** **** Jul. 30, 2019**

(54) **OFFICE CHAIR**

(71) Applicant: **NINGBO MEIYING ELECTRONIC TECHNOLOGY CO., LTD**, Ningbo (CN)

(72) Inventor: **Yinuo Shen**, Ningbo (CN)

(73) Assignee: **Ningbo Meiyang Electronic Technology Co., Ltd.** (CN)

(**) Term: **15 Years**

(21) Appl. No.: **29/656,890**

(22) Filed: **Jul. 17, 2018**

(51) **LOC (11) Cl.** **06-01**

(52) **U.S. Cl.**
USPC **D6/366**

(58) **Field of Classification Search**
USPC D6/334-336, 356, 364, 365, 366, 367, D6/374, 375, 379, 380, 716, 716.1, 716.3, D6/716.4
CPC A47C 4/028; A47C 7/022; A47C 7/18; A47C 7/38; A47C 7/40; B60N 2/02; B60N 2/20; B60N 2/22; B60N 2/58
See application file for complete search history.

(56) **References Cited**

U.S. PATENT DOCUMENTS

D317,534 S * 6/1991 Hansel D6/356
D509,077 S * 9/2005 Beermann D6/356

D532,211 S * 11/2006 Su D6/366
D549,475 S * 8/2007 Su D6/356
D612,623 S * 3/2010 Smit D6/366
D612,641 S * 3/2010 Smit D6/366
7,753,451 B2 * 7/2010 Maebert B60N 2/20
297/344.11
D807,072 S * 1/2018 Mao D6/366
D809,313 S * 2/2018 Mao D6/366
2011/0057498 A1 * 3/2011 Fujita B60N 2/58
297/452.18

* cited by examiner

Primary Examiner — Mimoso De

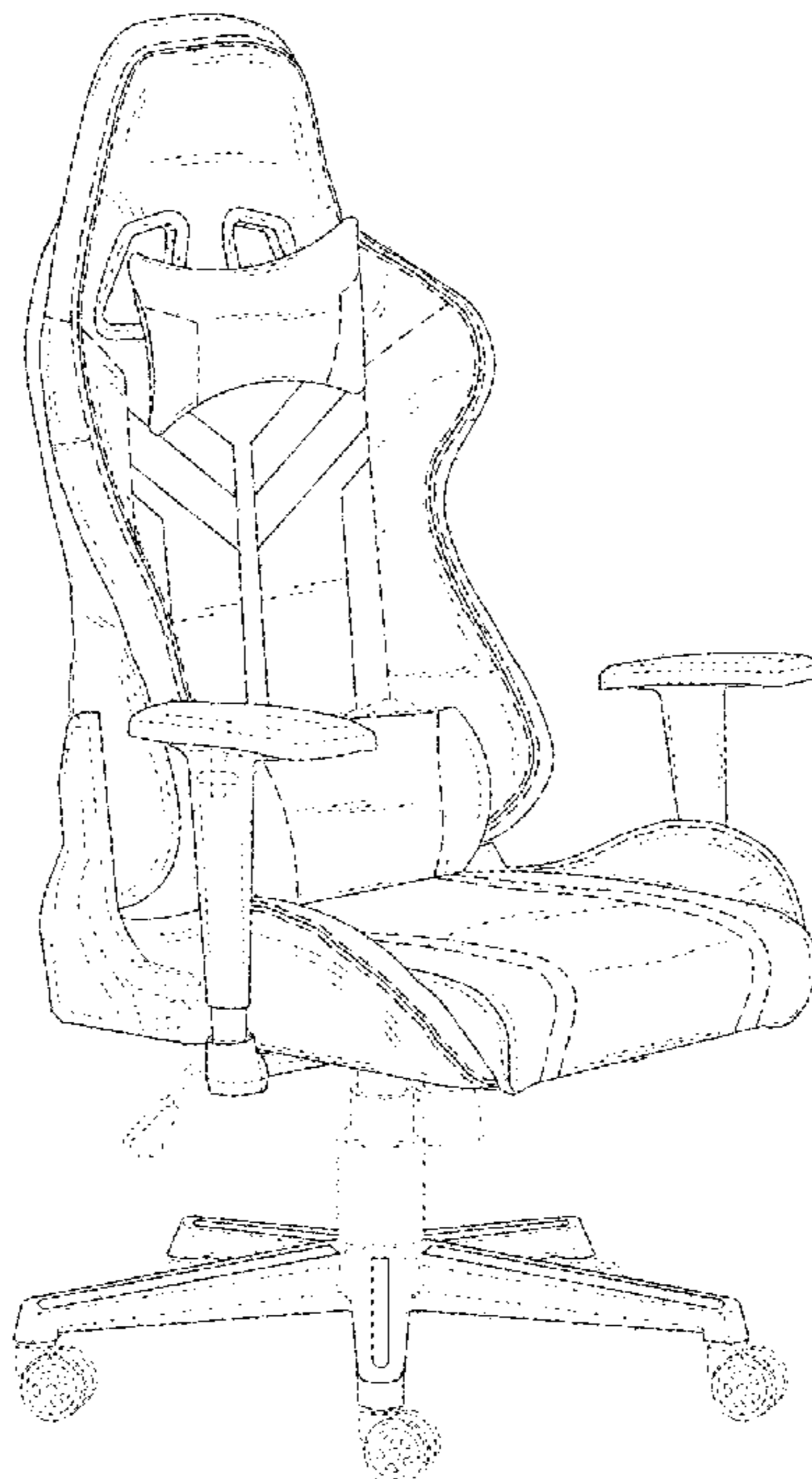
(57) **CLAIM**

The ornamental design for office chair, as shown and described.

DESCRIPTION

FIG. 1 is a front view of the office chair showing my new design;
FIG. 2 is a back view thereof;
FIG. 3 is a right side view thereof;
FIG. 4 is a left side view thereof;
FIG. 5 is a top view thereof;
FIG. 6 is a bottom view thereof; and,
FIG. 7 is a perspective view thereof.
The darker broken lines shown on the backrest and seat represent stitching, other lighter broken lines in the drawing illustrate portions of the office chair that form no part of the claimed design.

1 Claim, 7 Drawing Sheets



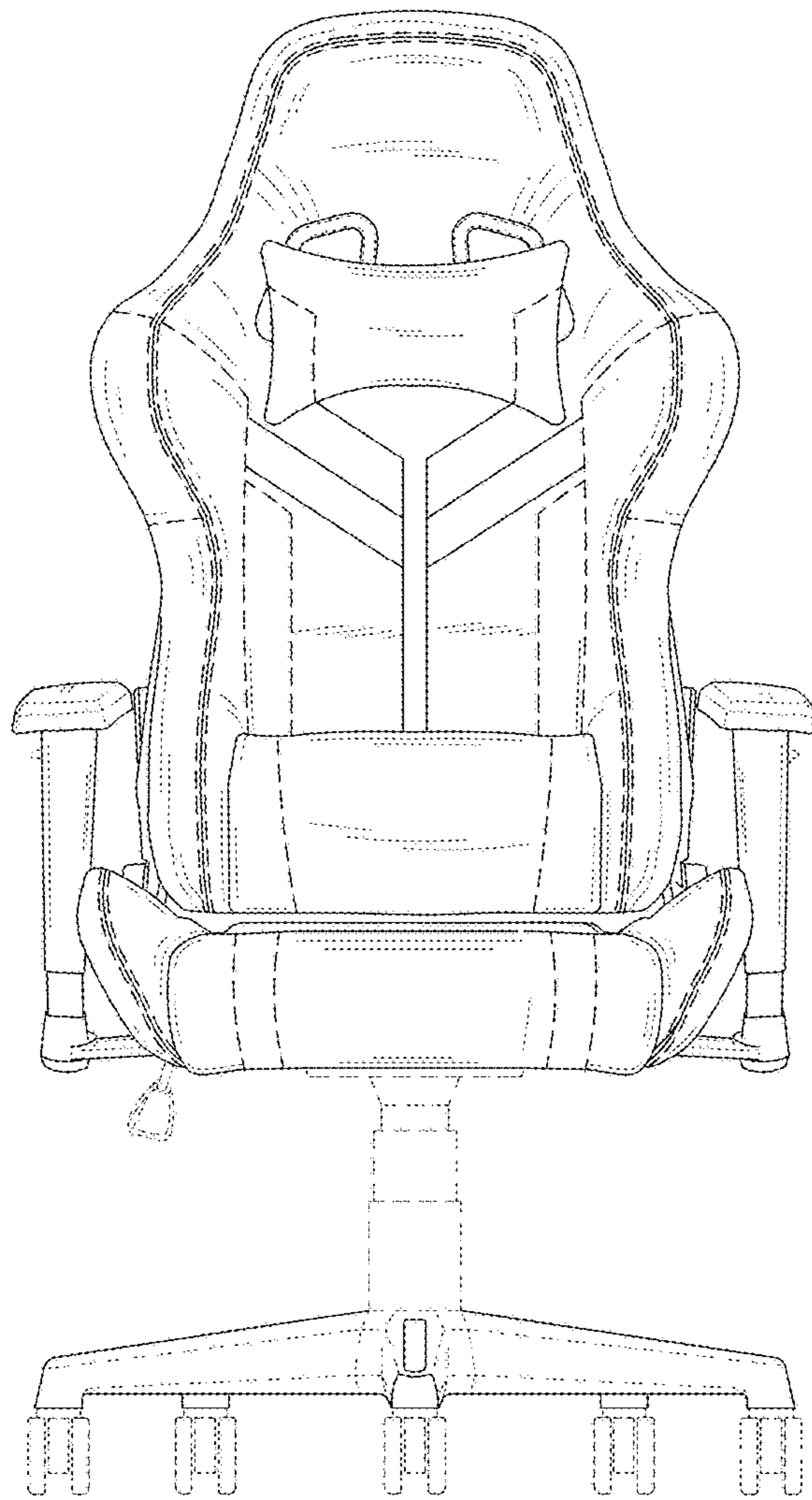


FIG. 1

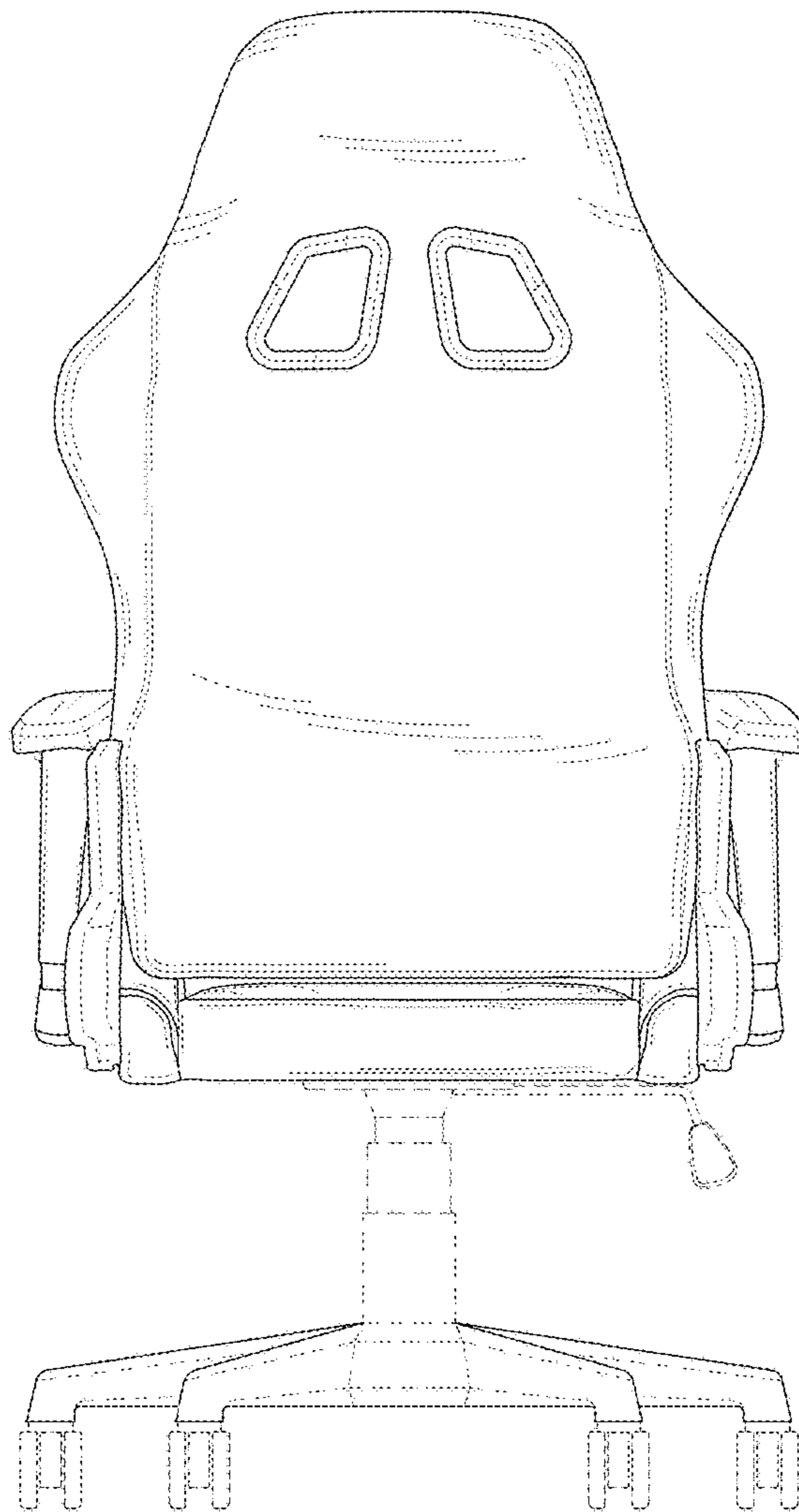


FIG 2

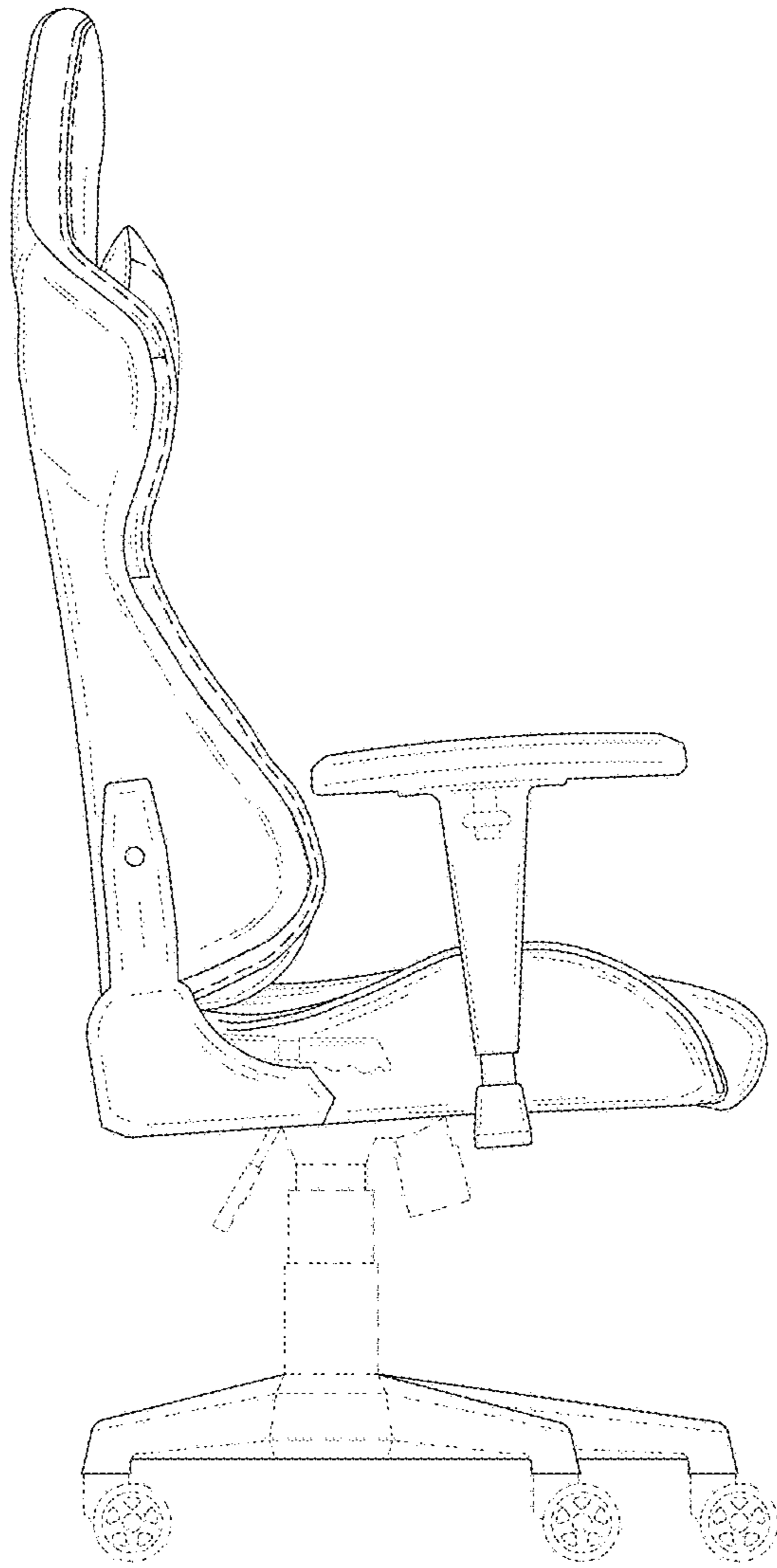


FIG.3

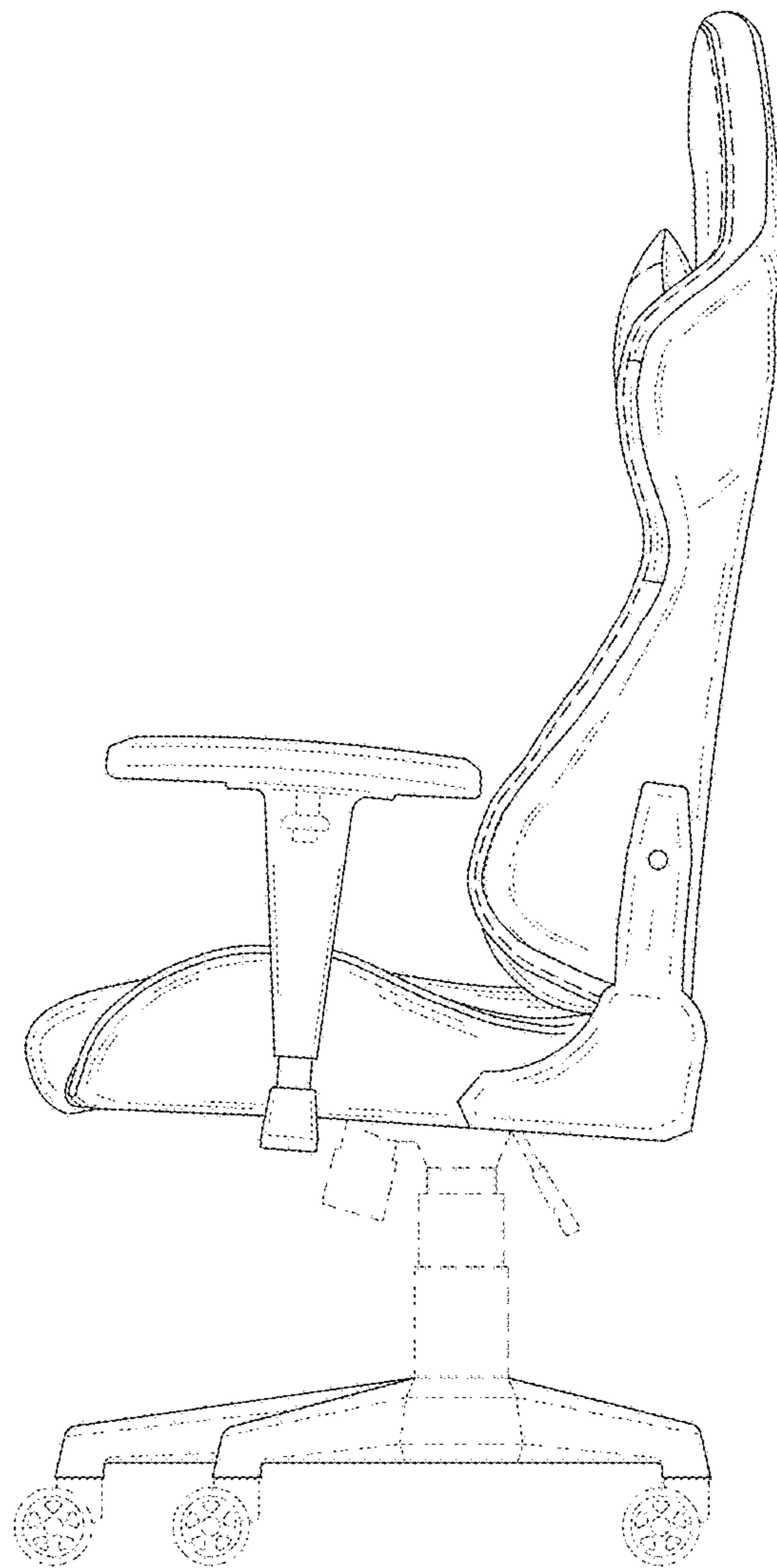


FIG.4

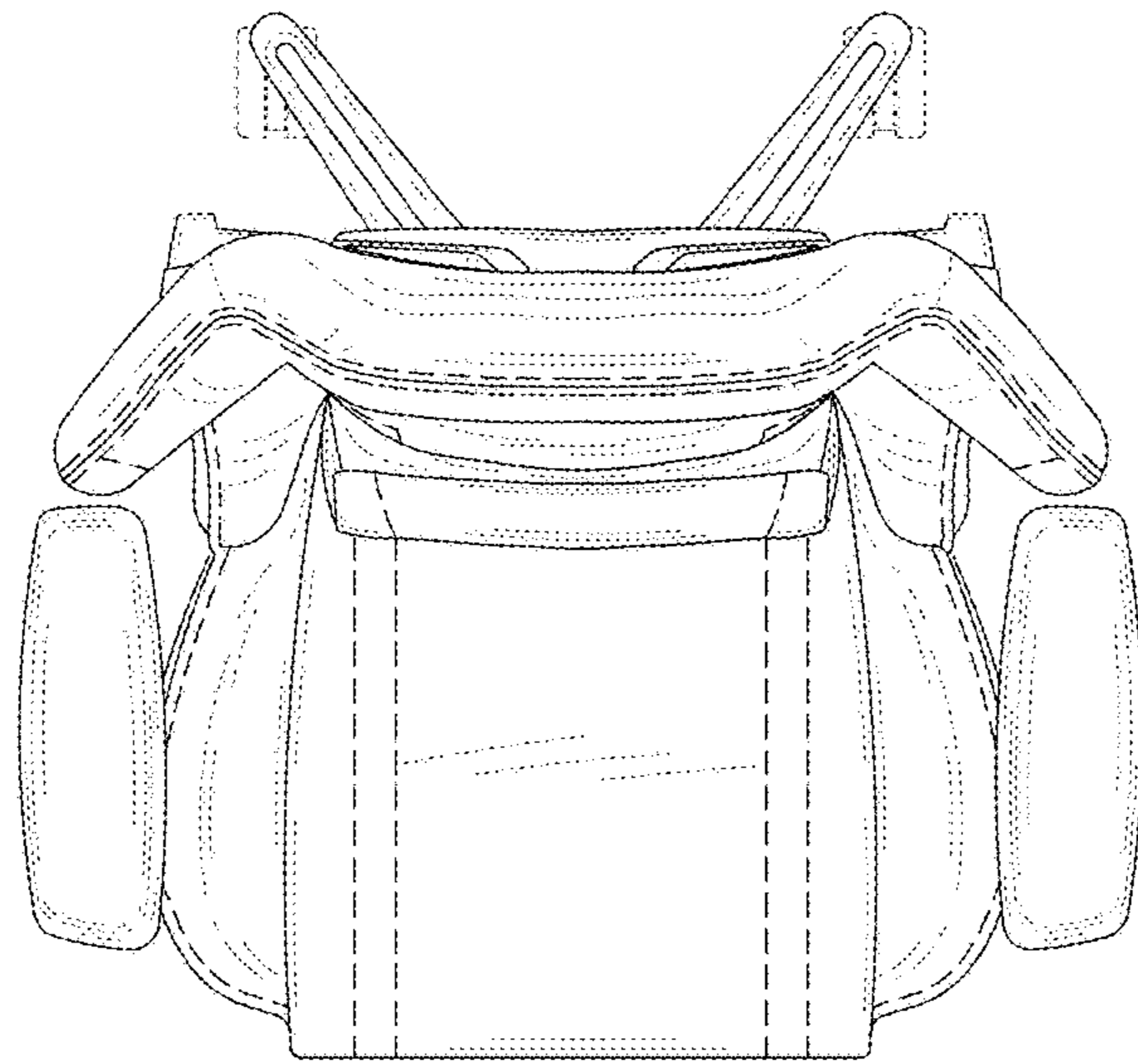


FIG.5

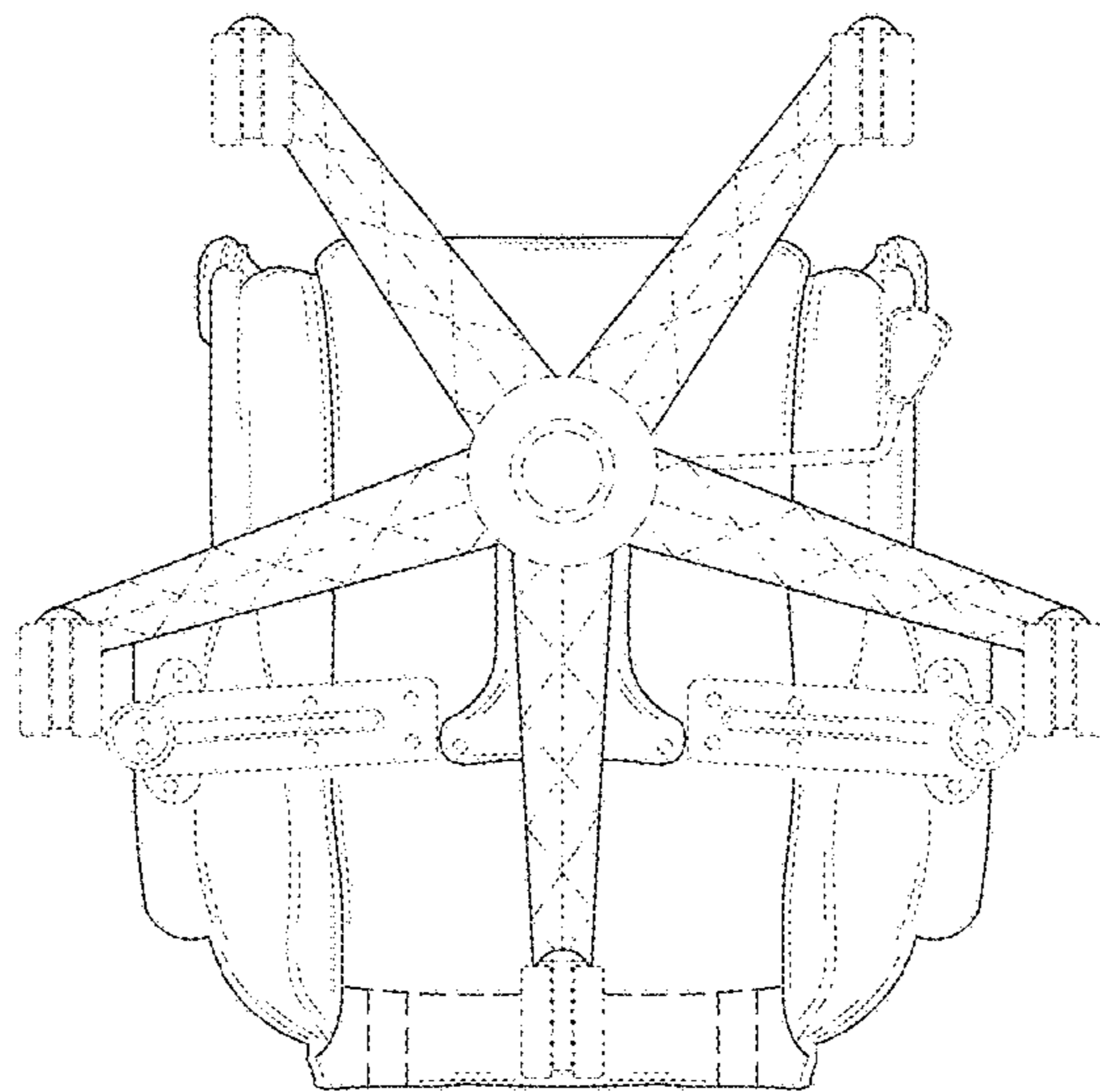


FIG.6

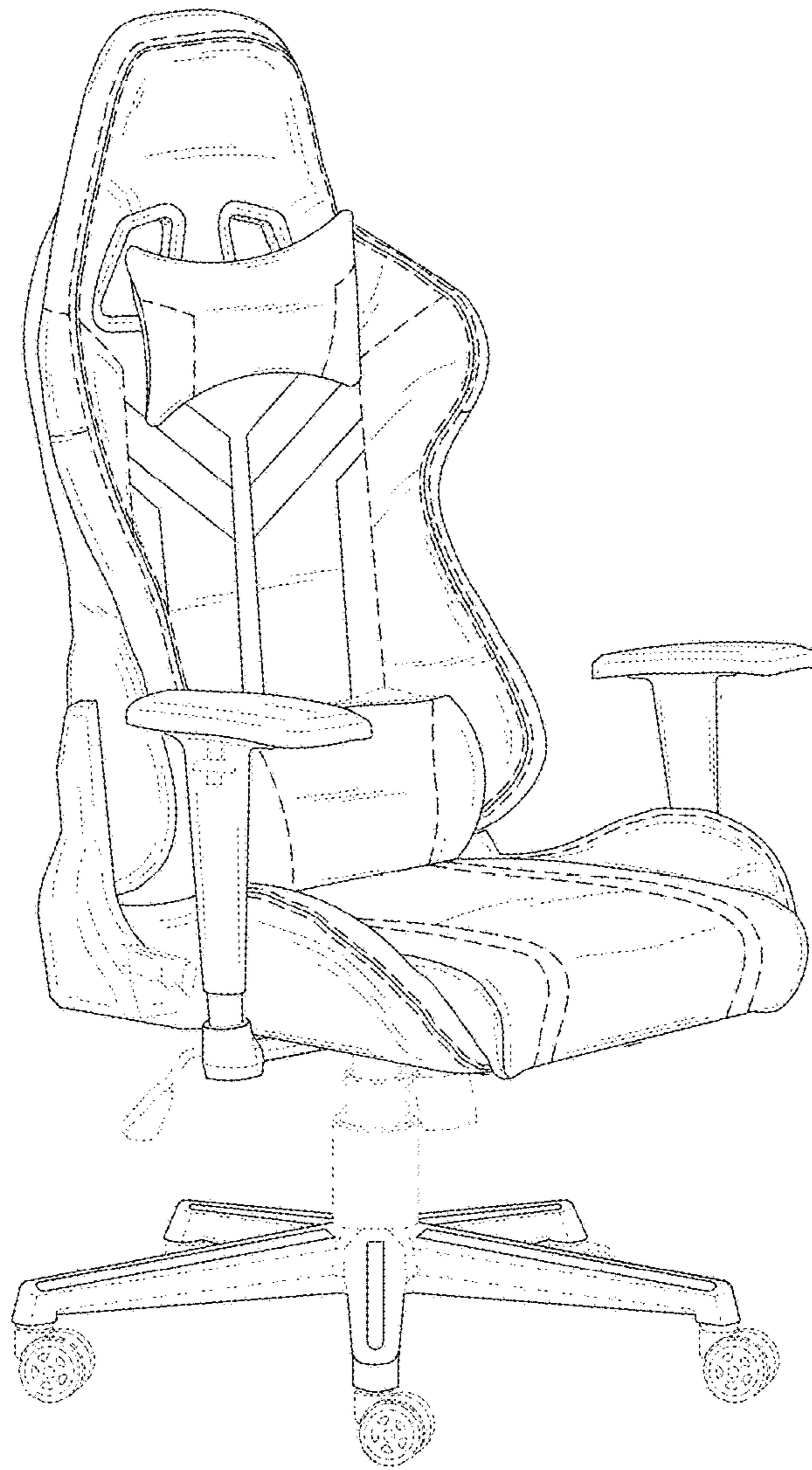


FIG. 7