



US00D854845S

(12) **United States Design Patent**
Herkner

(10) **Patent No.:** **US D854,845 S**
(45) **Date of Patent:** **** Jul. 30, 2019**

- (54) **CHAIR**
- (71) Applicant: **DEDON, GmbH**, Lüneburg (DE)
- (72) Inventor: **Sebastian Herkner**, Offenbach am Main (DE)
- (73) Assignee: **DEDON, GmbH**, Lüneburg (DE)
- (**) Term: **15 Years**
- (21) Appl. No.: **29/597,175**
- (22) Filed: **Mar. 15, 2017**
- (51) **LOC (11) Cl.** **06-01**
- (52) **U.S. Cl.**
USPC **D6/361**
- (58) **Field of Classification Search**
USPC D6/334, 360, 361, 362, 364, 368, 369, D6/371, 377
CPC A47C 1/143; A47C 1/146; A47C 4/02; A47C 5/125; A47C 15/006
See application file for complete search history.

- D572,922 S * 7/2008 Frnier D6/361
- D667,648 S * 9/2012 Le Gal D6/361
- D703,456 S * 4/2014 Devaney D6/361
- D707,458 S * 6/2014 Doyle D6/361
- D720,145 S * 12/2014 Pierre D6/361
- D739,154 S * 9/2015 Eliyahu D6/361
- D749,335 S * 2/2016 Vanderminden D6/361
- D783,299 S * 4/2017 Cochran D6/361
- 9,642,467 B2 * 5/2017 Rubey A47C 15/006

* cited by examiner

Primary Examiner — Kevin K Rudzinski
Assistant Examiner — Paul D Bohannon
(74) *Attorney, Agent, or Firm* — MacCord Mason PLLC

(57) **CLAIM**

The ornamental design for a chair, as shown and described.

DESCRIPTION

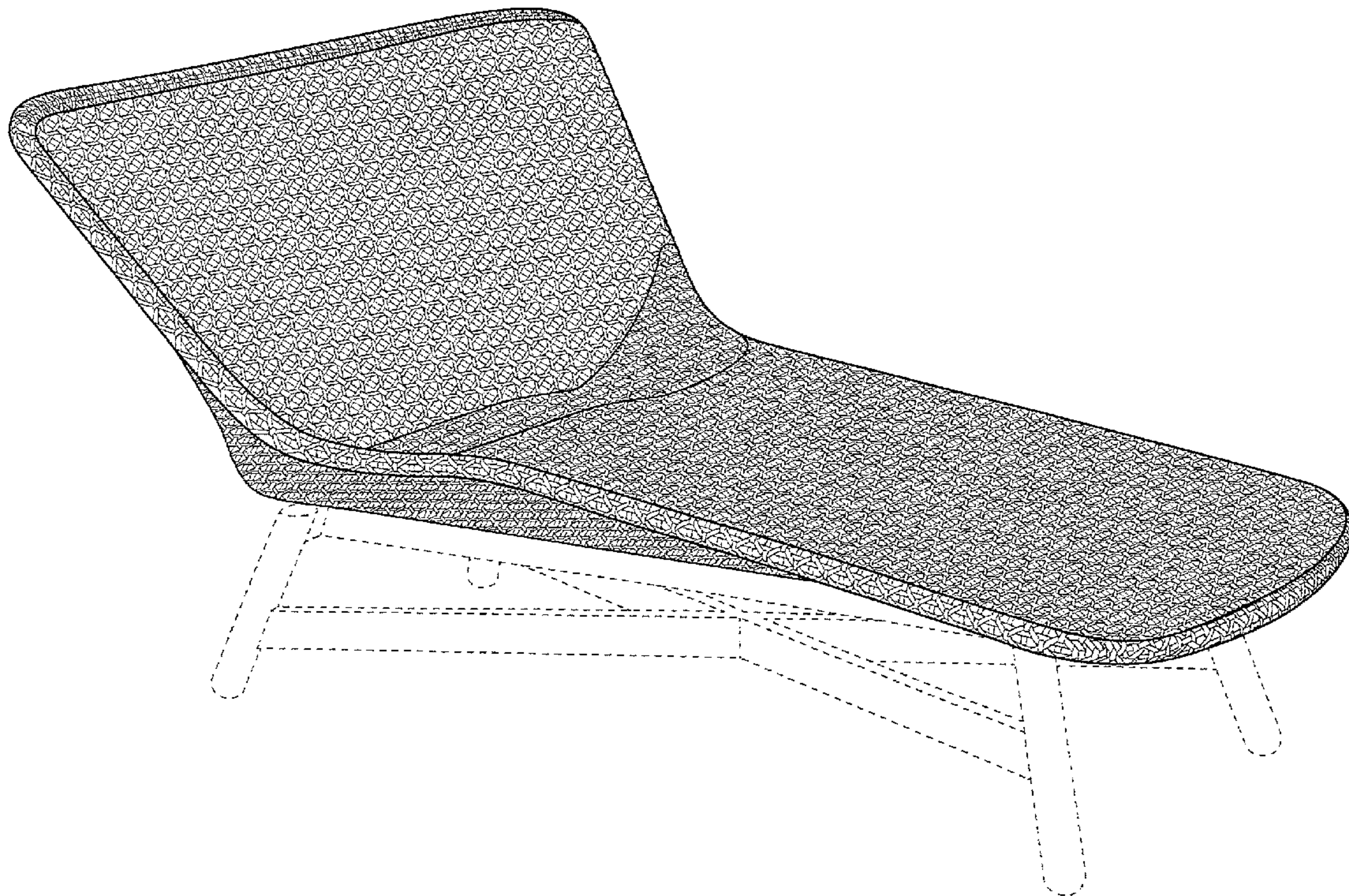
FIG. 1 is a front perspective view of a chair showing my new design;
FIG. 2 is a front view thereof;
FIG. 3 is a side view, the opposite side being a mirror image thereof;
FIG. 4 is a back view thereof; and,
FIG. 5 is a top view thereof.
The objects shown in dotted lines depict environment and form no part of the claimed design.

1 Claim, 5 Drawing Sheets

(56) **References Cited**

U.S. PATENT DOCUMENTS

- D533,368 S * 12/2006 Natuzzi D6/361
- D572,921 S * 7/2008 van Ierssel D6/361



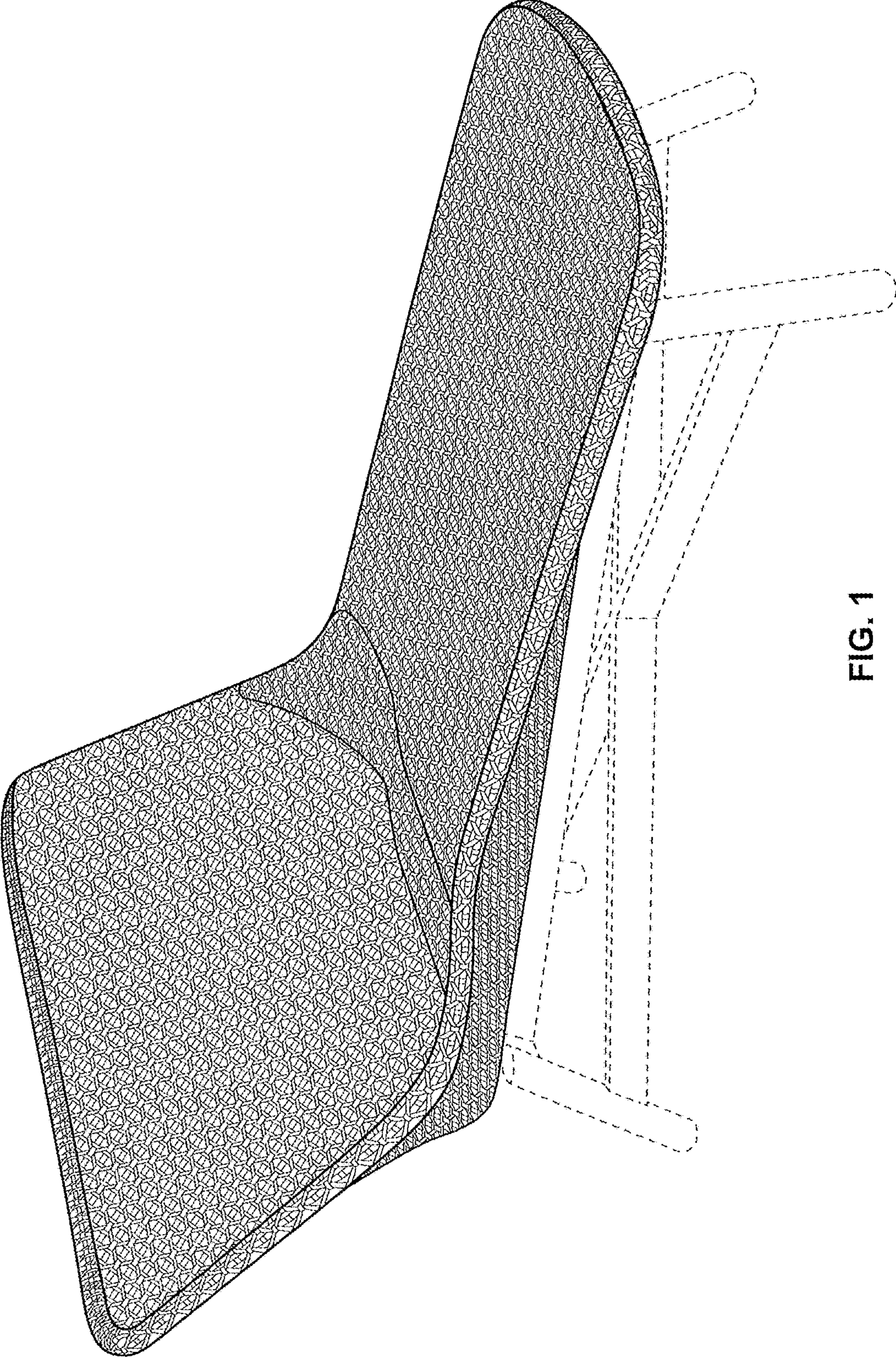


FIG. 1

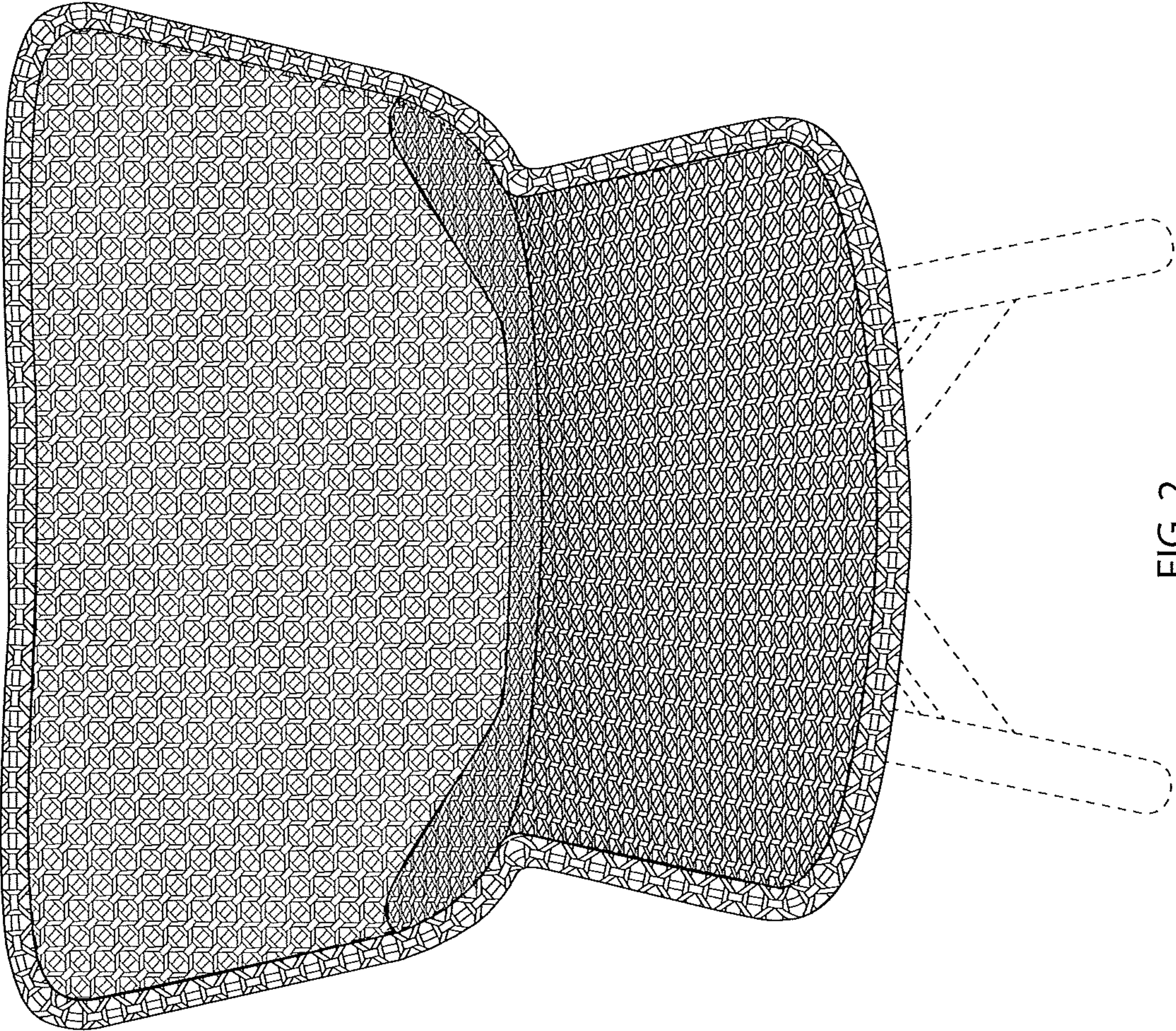


FIG. 2

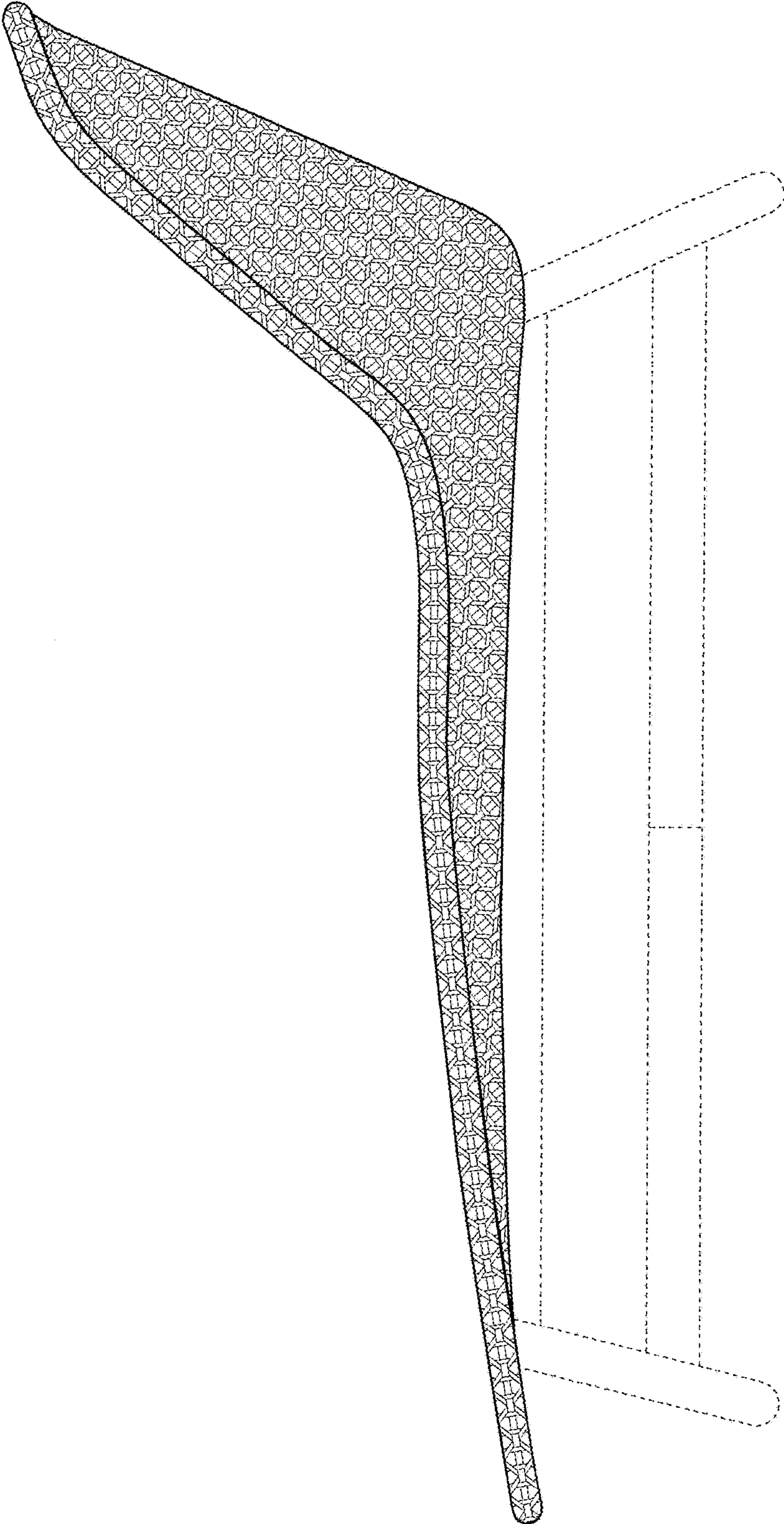


FIG. 3

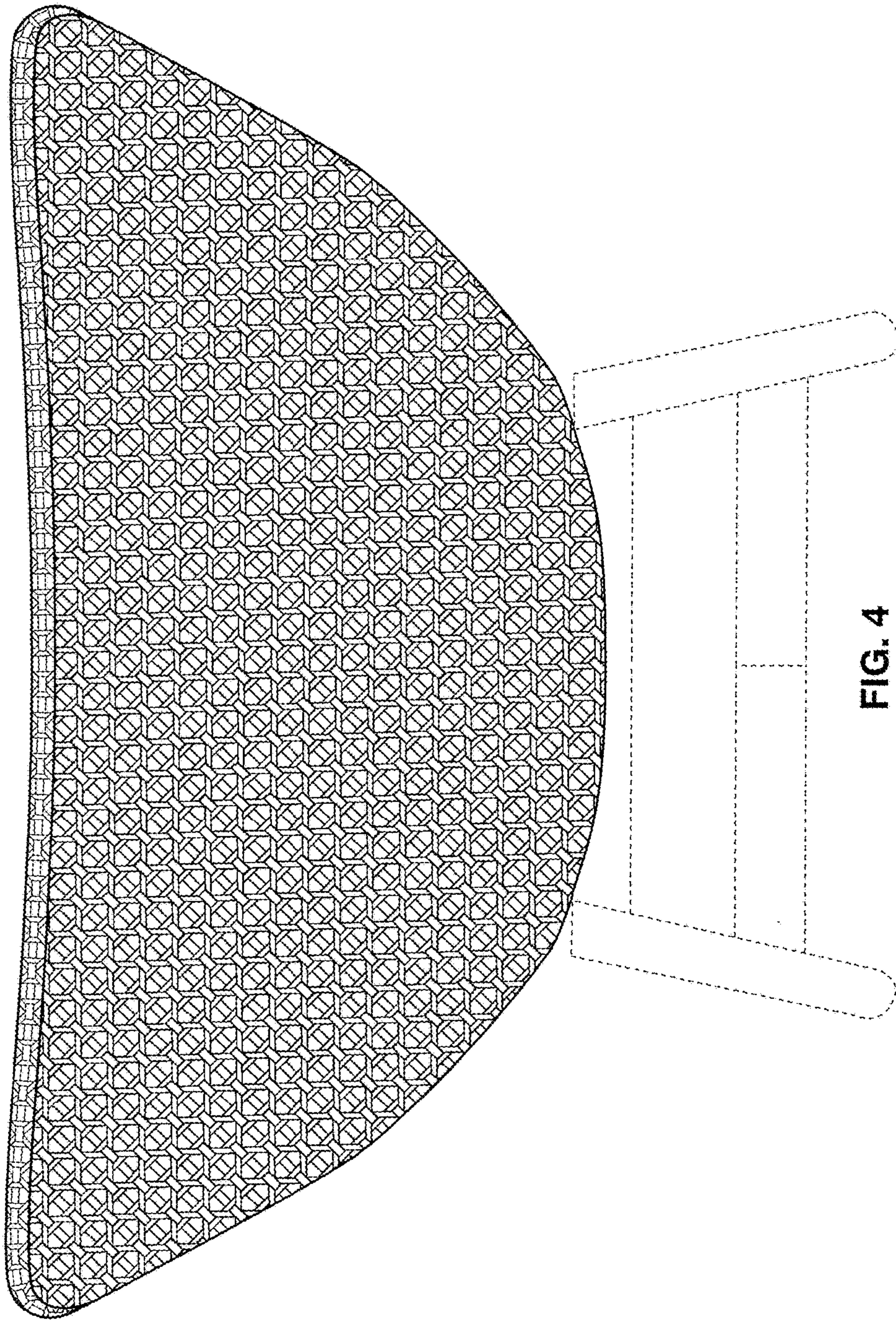


FIG. 4

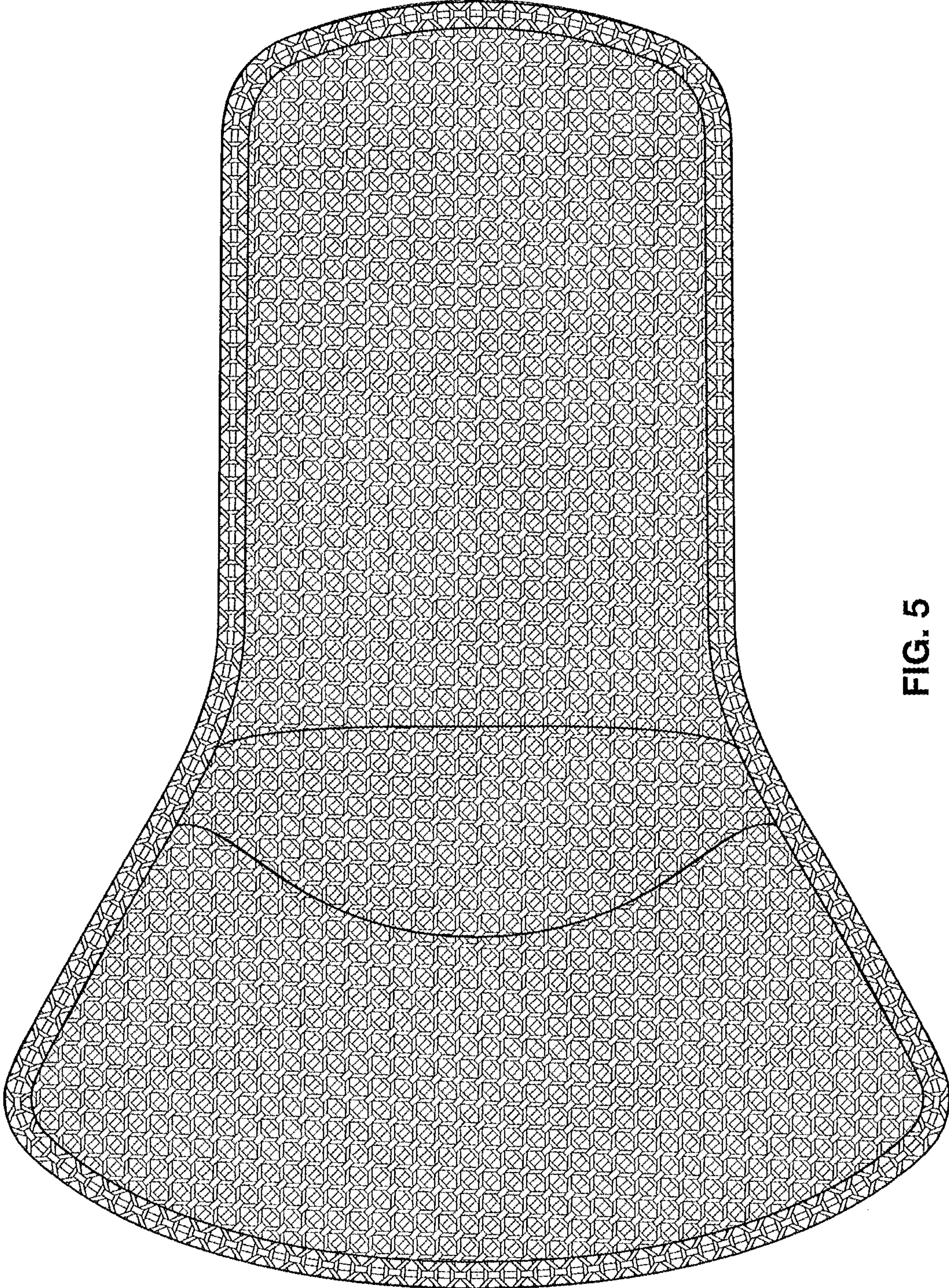


FIG. 5