



US00D854842S

(12) **United States Design Patent**
Levin

(10) **Patent No.:** **US D854,842 S**

(45) **Date of Patent:** **** Jul. 30, 2019**

(54) **BOAT CHAIR**

(71) Applicant: **Eric Martin Levin**, Severna Park, MD
(US)

(72) Inventor: **Eric Martin Levin**, Severna Park, MD
(US)

(**) Term: **15 Years**

(21) Appl. No.: **29/634,953**

(22) Filed: **Jan. 25, 2018**

(51) **LOC (11) Cl.** **06-01**

(52) **U.S. Cl.**
USPC **D6/356**

(58) **Field of Classification Search**
USPC D6/339, 353, 356, 368, 601, 655, 716.1,
D6/716.2, 716.3, 716.4, 716.5, 716.6,
D6/716.7

CPC .. A47C 3/04; A47C 3/16; A47C 7/021; A47C
7/407; A47C 17/1655; A47K 3/122;
B60N 2/02; B60N 2/20; B60N 2/22;
B60N 2/32; B60N 2/38; B60N 2/3002;
B60N 2/3004; B60N 2/3011; B60N
2/3065; B60N 2/3097; B63B 2709/00;
B63B 29/04; B63B 2029/043; Y10S
297/02

See application file for complete search history.

(56) **References Cited**

U.S. PATENT DOCUMENTS

- D121,266 S * 7/1940 Archer 297/250.1
- D135,333 S * 3/1943 Brown D6/360
- 4,926,783 A 5/1990 Lathers
- D312,004 S * 11/1990 Smith D6/368
- 5,020,854 A * 6/1991 Powell A47C 1/146
297/377
- 5,052,076 A * 10/1991 Spaeth B63B 29/04
16/266
- 5,058,949 A * 10/1991 Von Hoffman A47C 4/286
297/378.12

- D377,574 S * 1/1997 Mades D6/336
- 5,688,023 A * 11/1997 Blocker, Jr. A47C 7/62
297/188.03
- 5,688,024 A * 11/1997 Arizpe-Gilmore ... A01M 31/02
297/217.1

- 5,697,318 A 12/1997 Kobayashi
- 6,283,059 B1 9/2001 Scully, Jr.

(Continued)

Primary Examiner — Kevin K Rudzinski

Assistant Examiner — Paul D Bohannon

(74) *Attorney, Agent, or Firm* — Garcia-Zamor IP Law;

Ruy M. Garcia-Zamor

(57) **CLAIM**

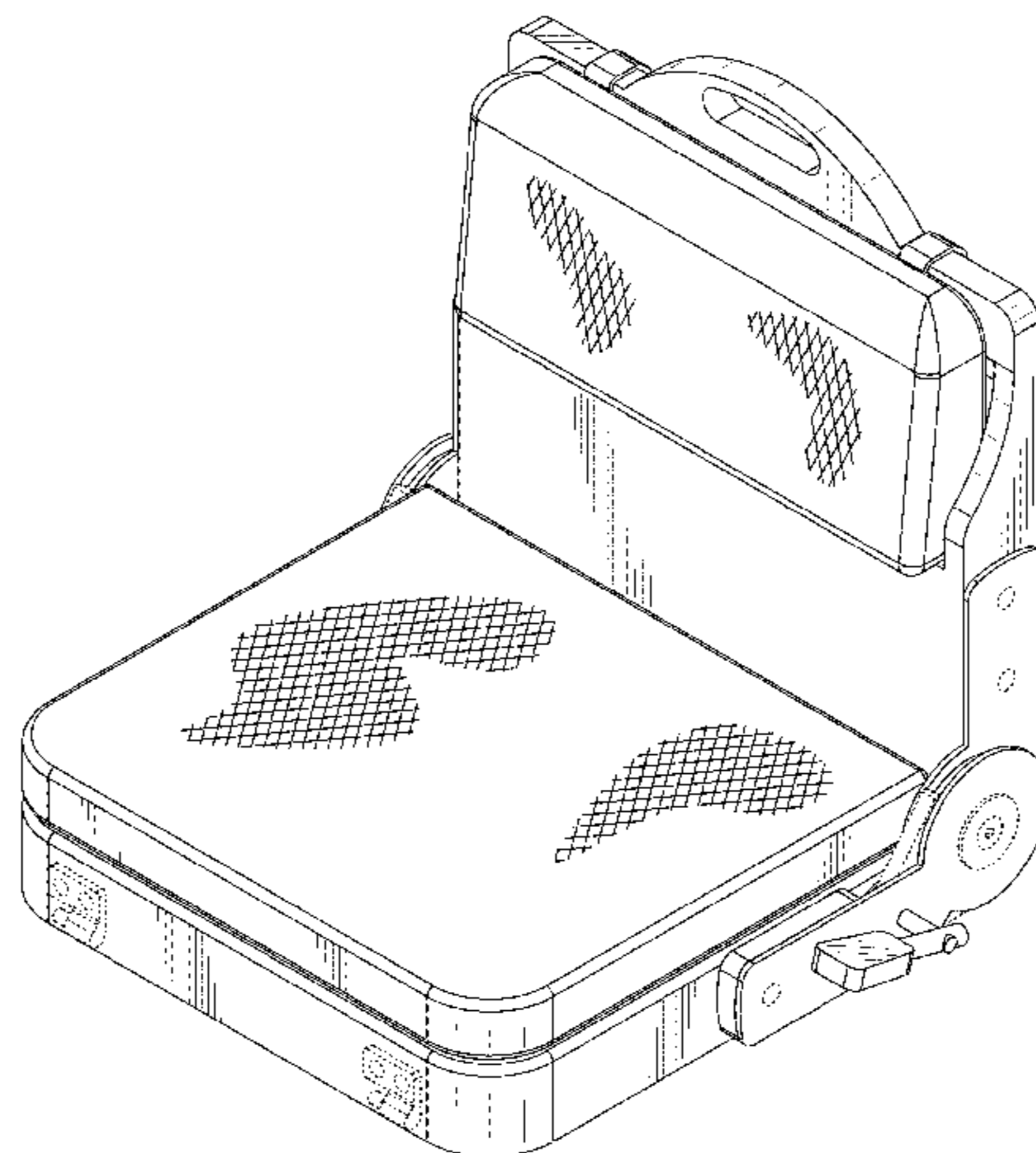
The ornamental design for a boat chair, as shown and described.

DESCRIPTION

FIG. 1 is a top front perspective view of a boat chair according to the present invention;
 FIG. 2 is a front side elevational view of the boat chair of FIG. 1;
 FIG. 3 is a rear side elevational view of the boat chair of FIG. 1;
 FIG. 4 is a left side elevational view of the boat chair of FIG. 1;
 FIG. 5 is a right side elevational of the boat chair of FIG. 1;
 FIG. 6 is a top plan view of the boat chair of FIG. 1;
 FIG. 7 is a bottom plan view of the boat chair of FIG. 1;
 FIG. 8 is a rear left bottom perspective view of the boat chair of FIG. 1;
 FIG. 9 is rear right top perspective view of the boat chair of FIG. 1; and,
 FIG. 10 is a front right bottom perspective view of the boat chair of FIG. 1.

The broken lines in FIGS. 1-10 represent environment and are for illustrative purposes only and do not constitute part of the claimed design.

1 Claim, 10 Drawing Sheets



(56)

References Cited

U.S. PATENT DOCUMENTS

6,321,912 B1 * 11/2001 Lippert A45C 5/14
206/320

6,527,341 B1 3/2003 Martin

6,880,482 B2 4/2005 Huse

6,981,741 B2 * 1/2006 Sirjoo A47C 3/16
297/354.12

7,066,548 B2 6/2006 Butler

7,107,927 B2 9/2006 Hopper

7,213,692 B2 * 5/2007 Wang A45C 9/00
190/8

D569,118 S * 5/2008 Lin D6/368

7,367,616 B2 5/2008 Summerford

D673,786 S * 1/2013 Szyma ski D6/356

D675,837 S * 2/2013 Szyma ski D6/356

D675,838 S * 2/2013 Szyma ski D6/356

D676,681 S * 2/2013 Szyma ski D6/356

D727,046 S * 4/2015 Alexander D6/356

D727,047 S * 4/2015 Alexander D6/356

9,021,975 B1 5/2015 Fodor

D740,579 S * 10/2015 Begin D6/356

9,955,790 B2 * 5/2018 Tang A47C 7/48

10,040,378 B2 * 8/2018 Hansen B60N 2/3075

2010/0037814 A1 2/2010 Sahr

2010/0102613 A1 * 4/2010 Labuwy B60N 2/22
297/354.12

2015/0097405 A1 * 4/2015 Schukalski B60N 2/20
297/354.1

2016/0262543 A1 * 9/2016 Currie A47C 7/748

* cited by examiner

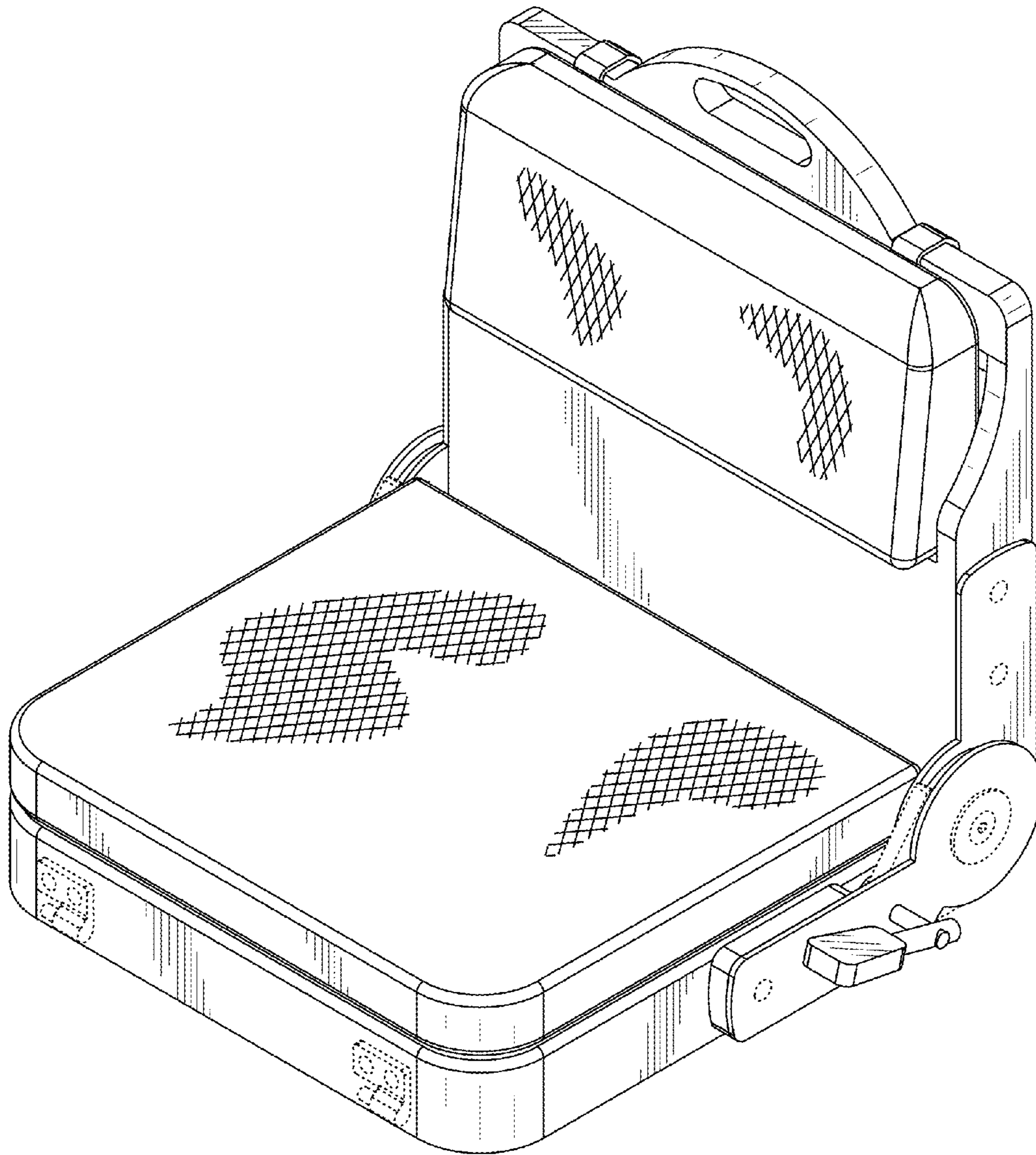


FIG. 1

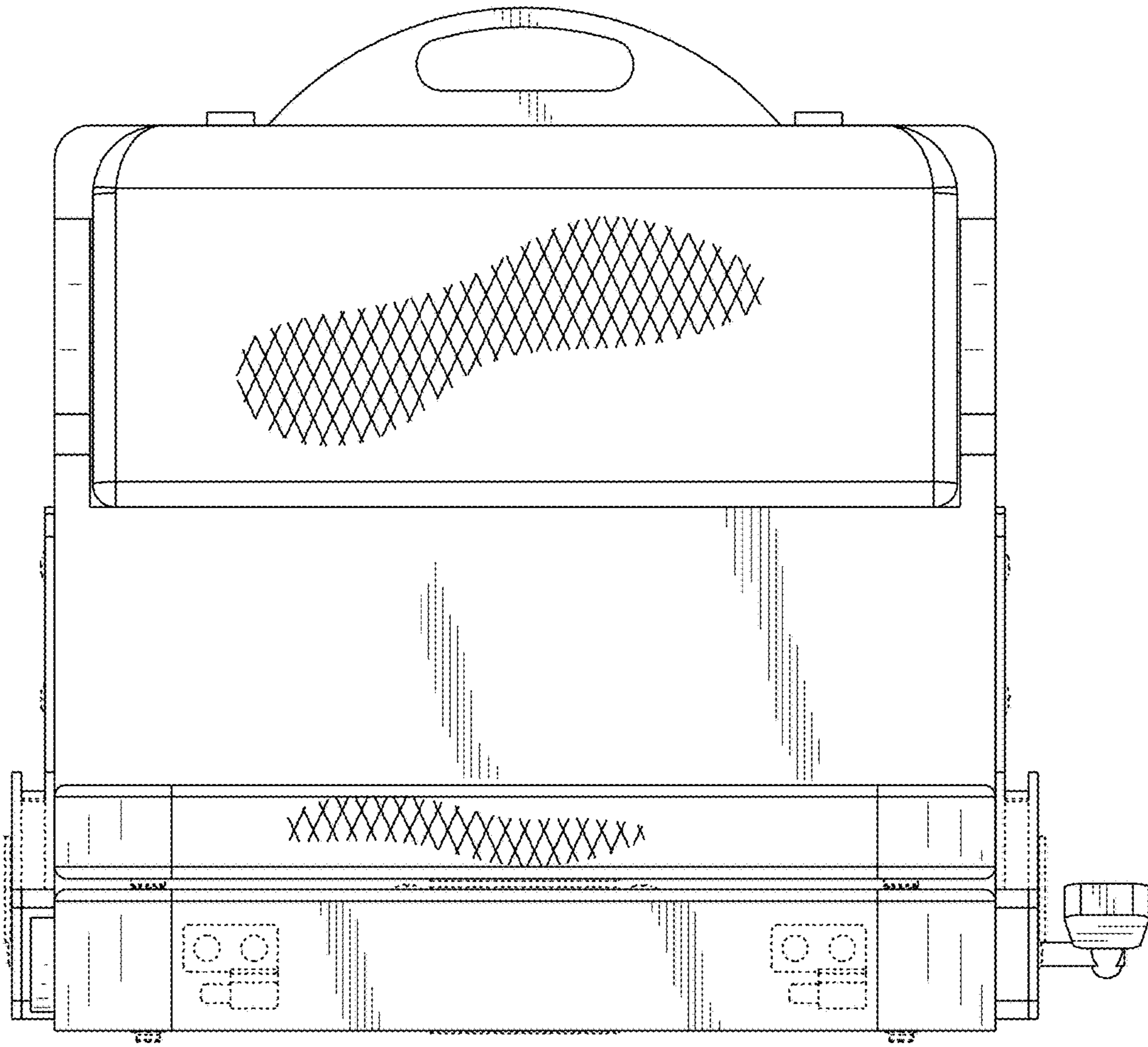


FIG. 2

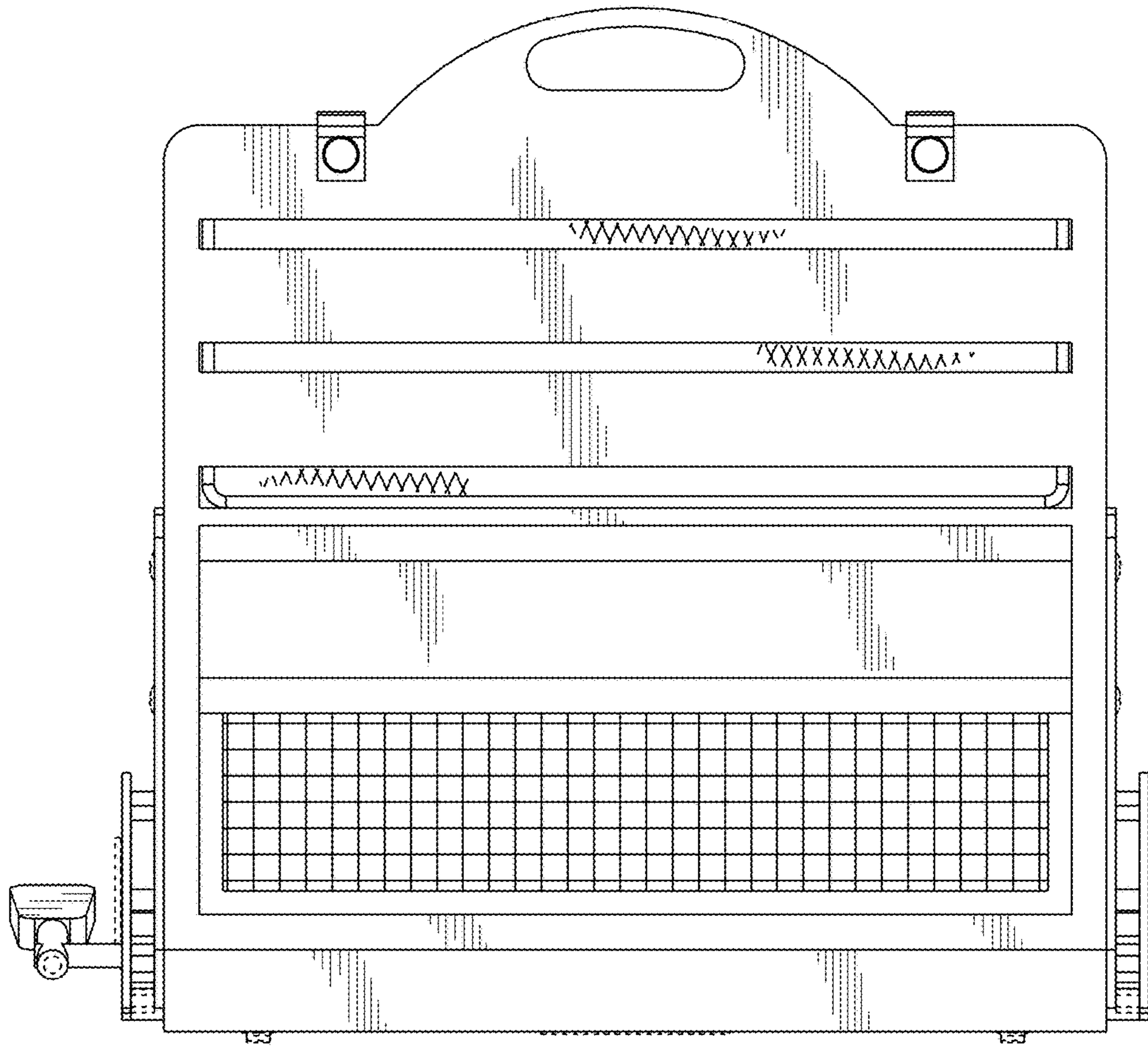


FIG. 3

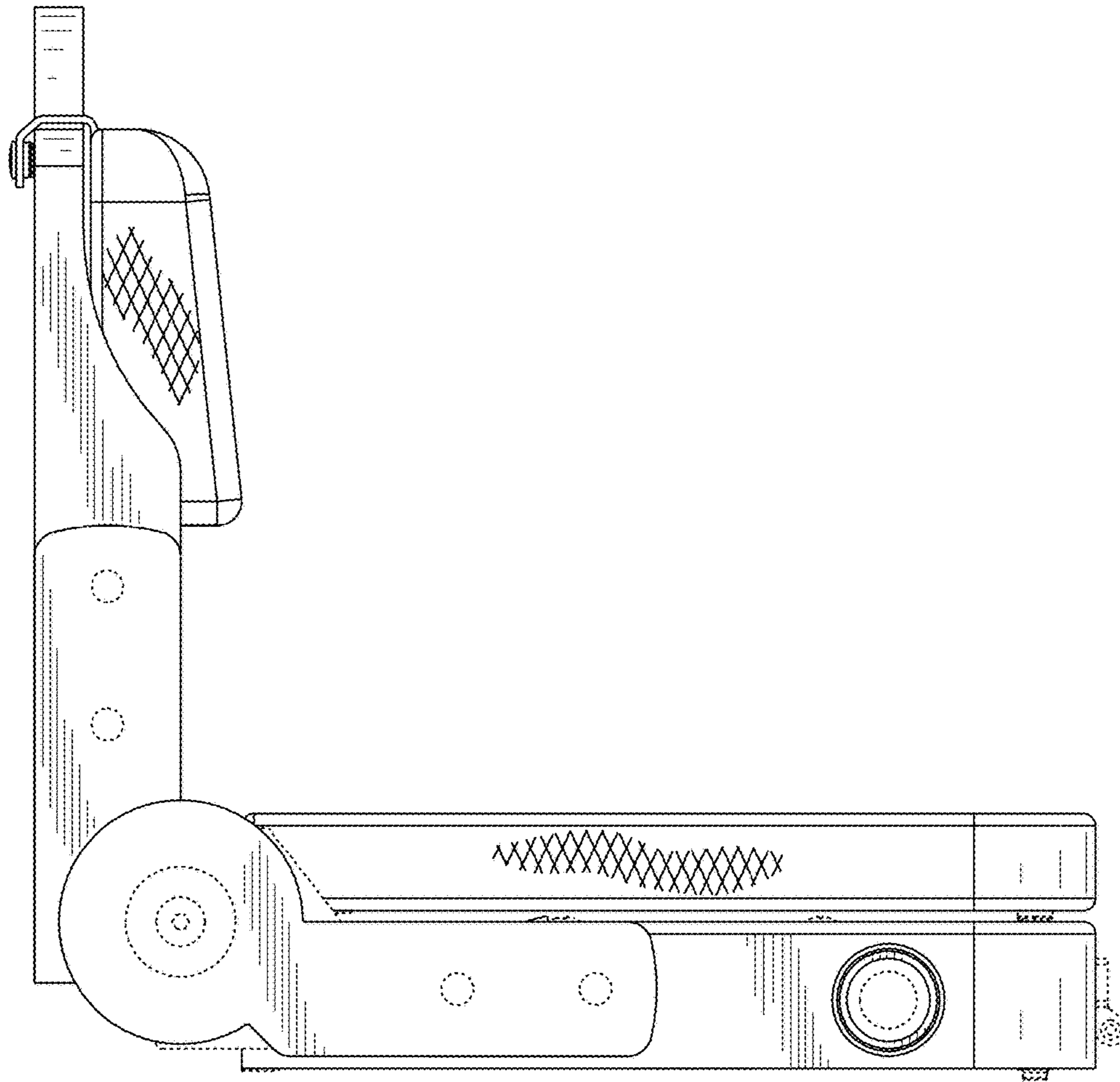


FIG. 4

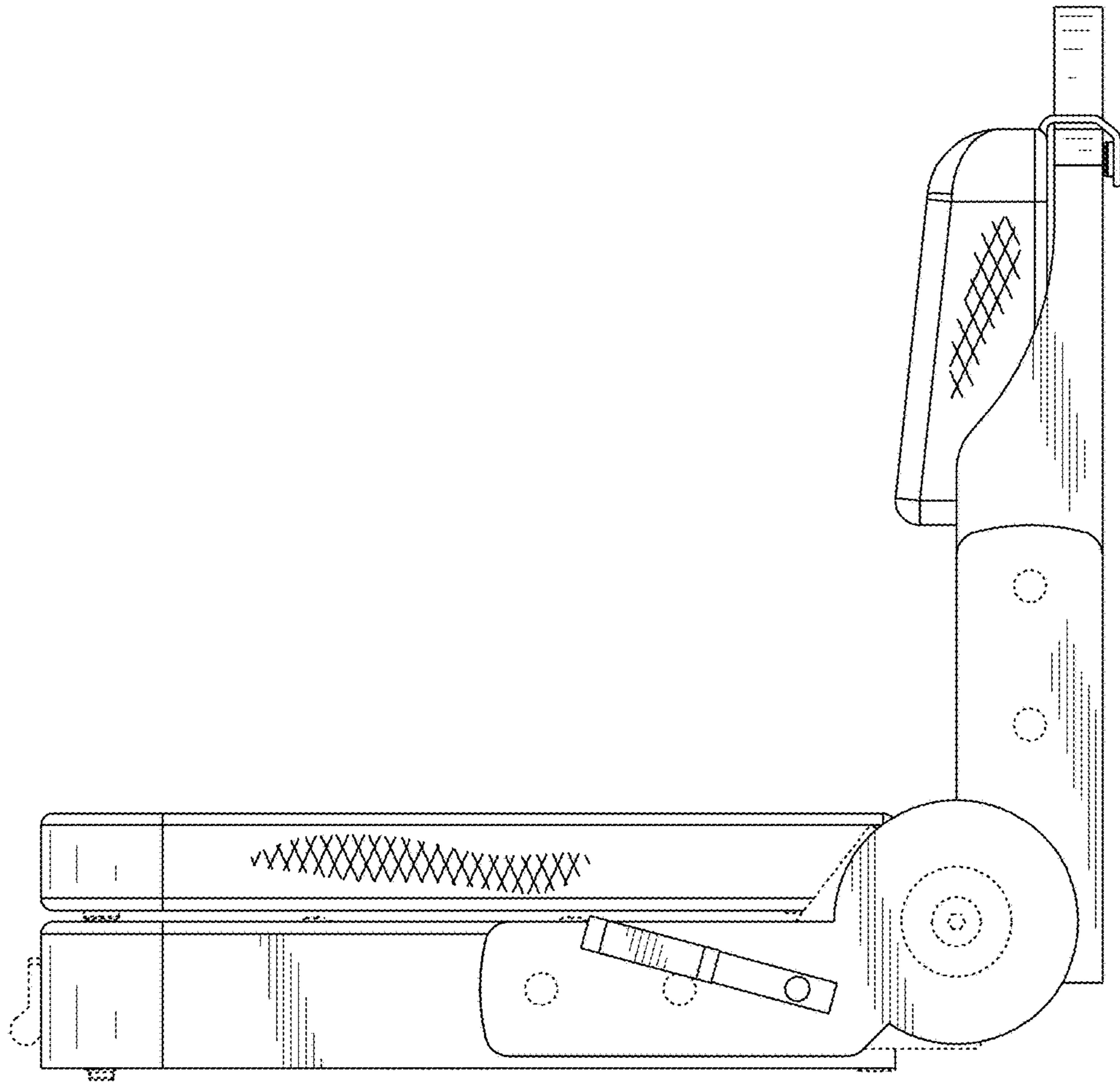


FIG. 5

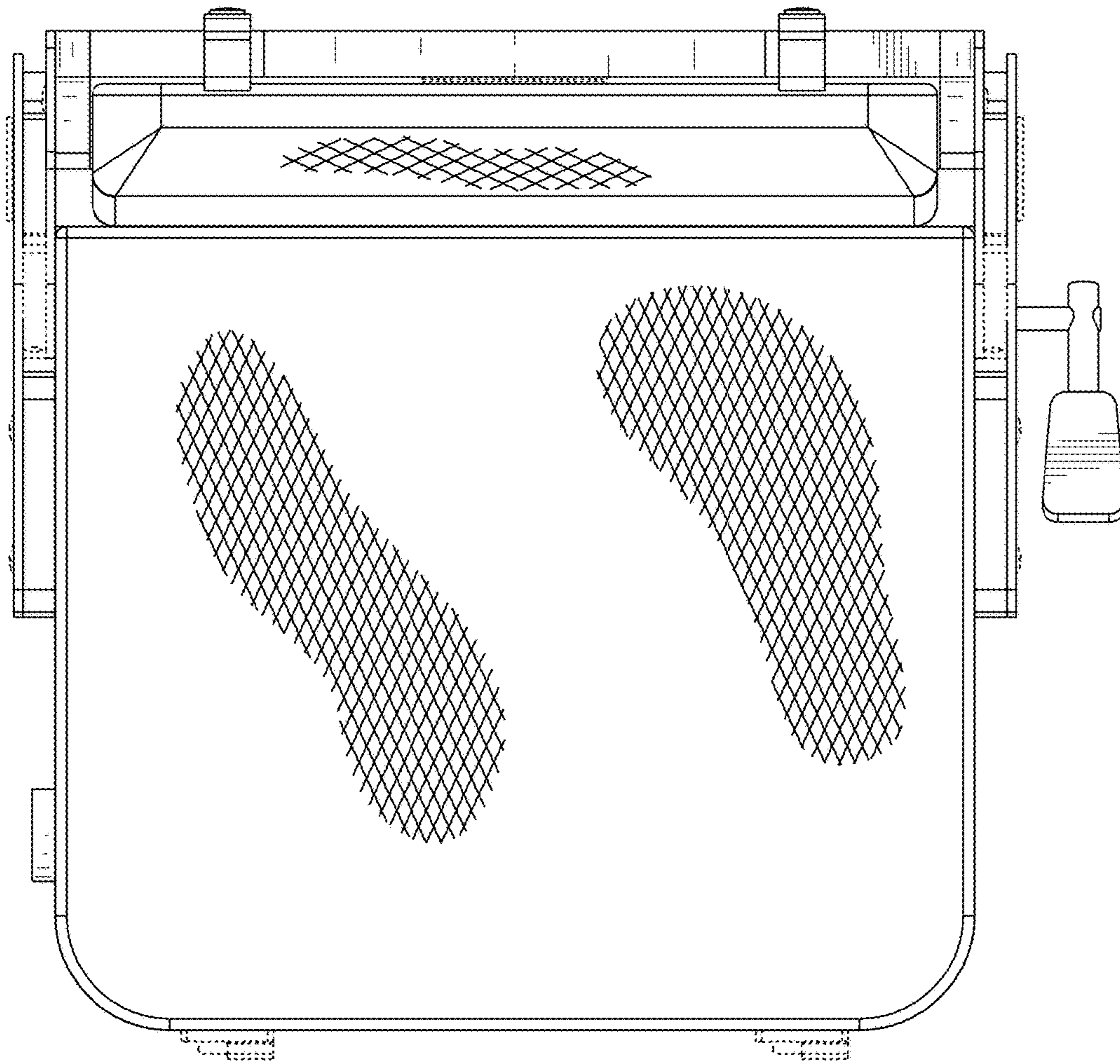


FIG. 6

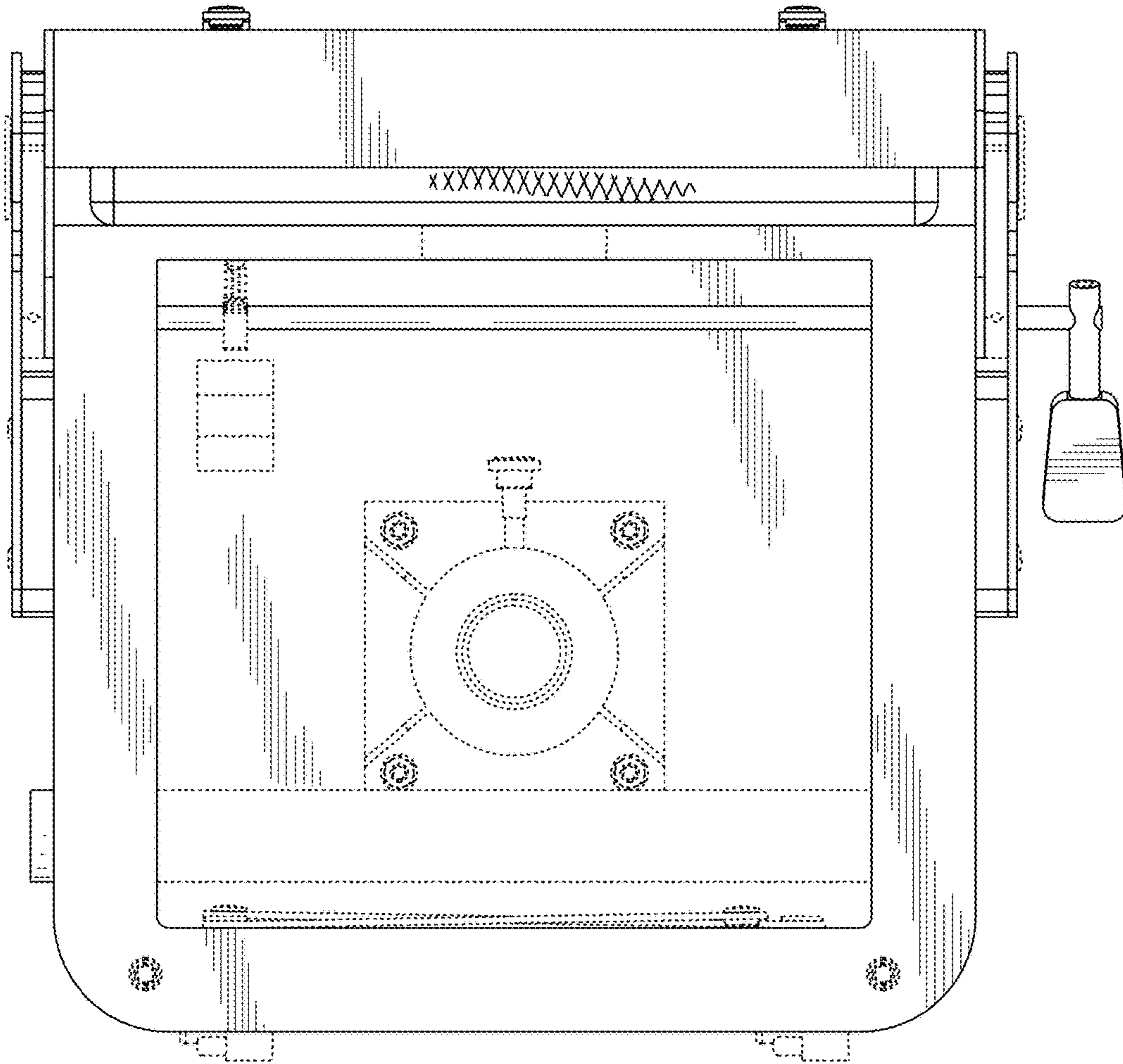


FIG. 7

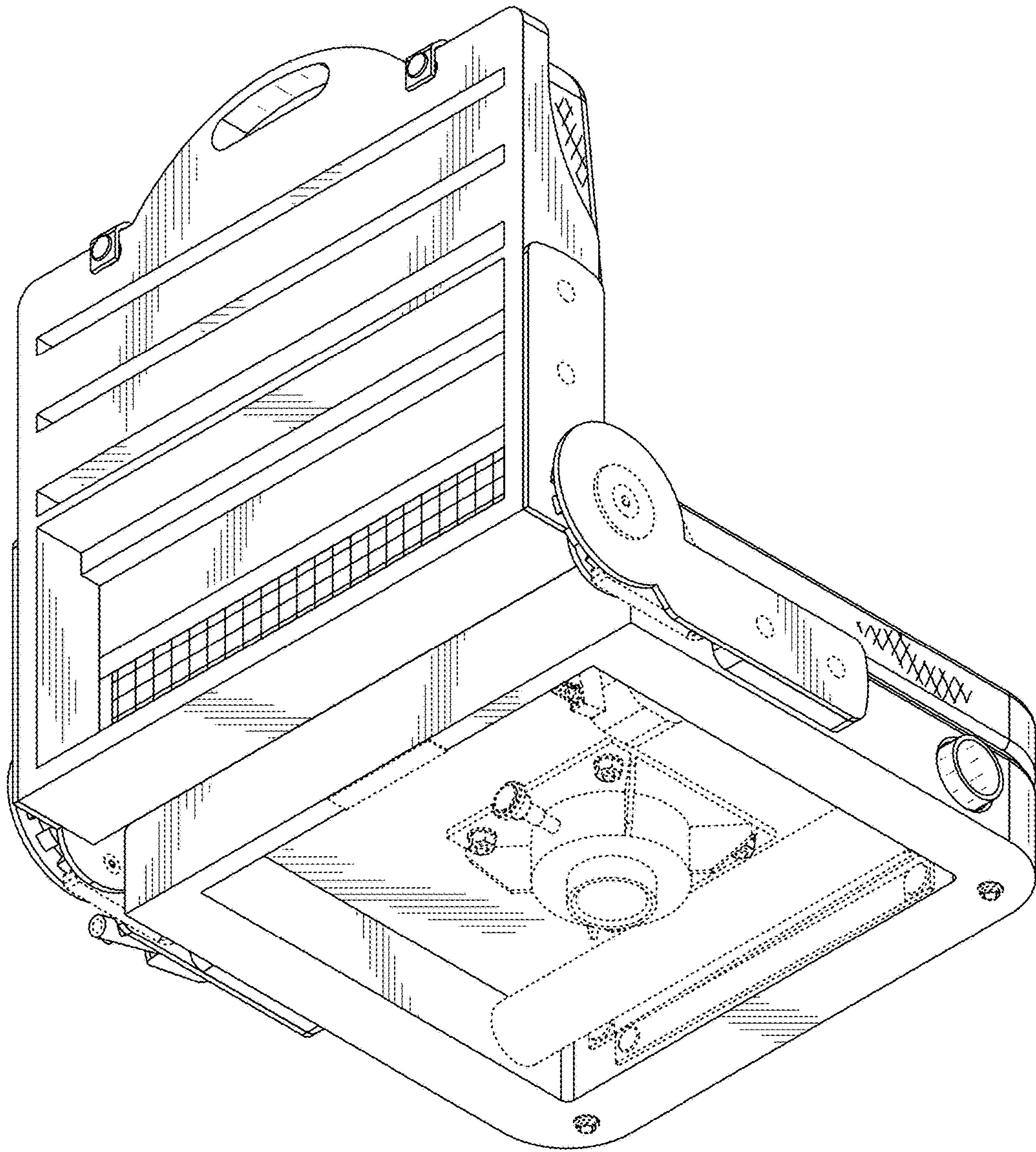


FIG. 8

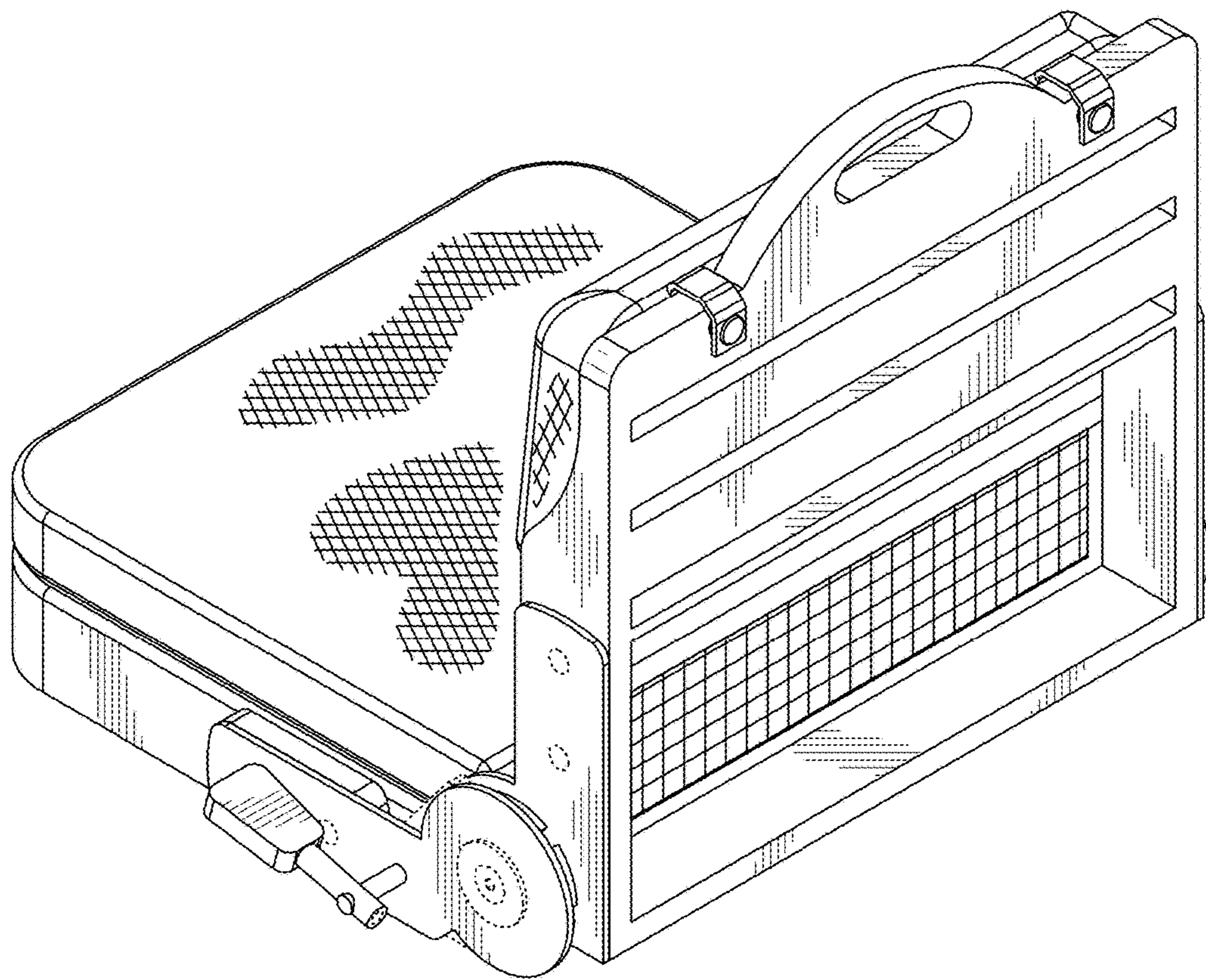


FIG. 9

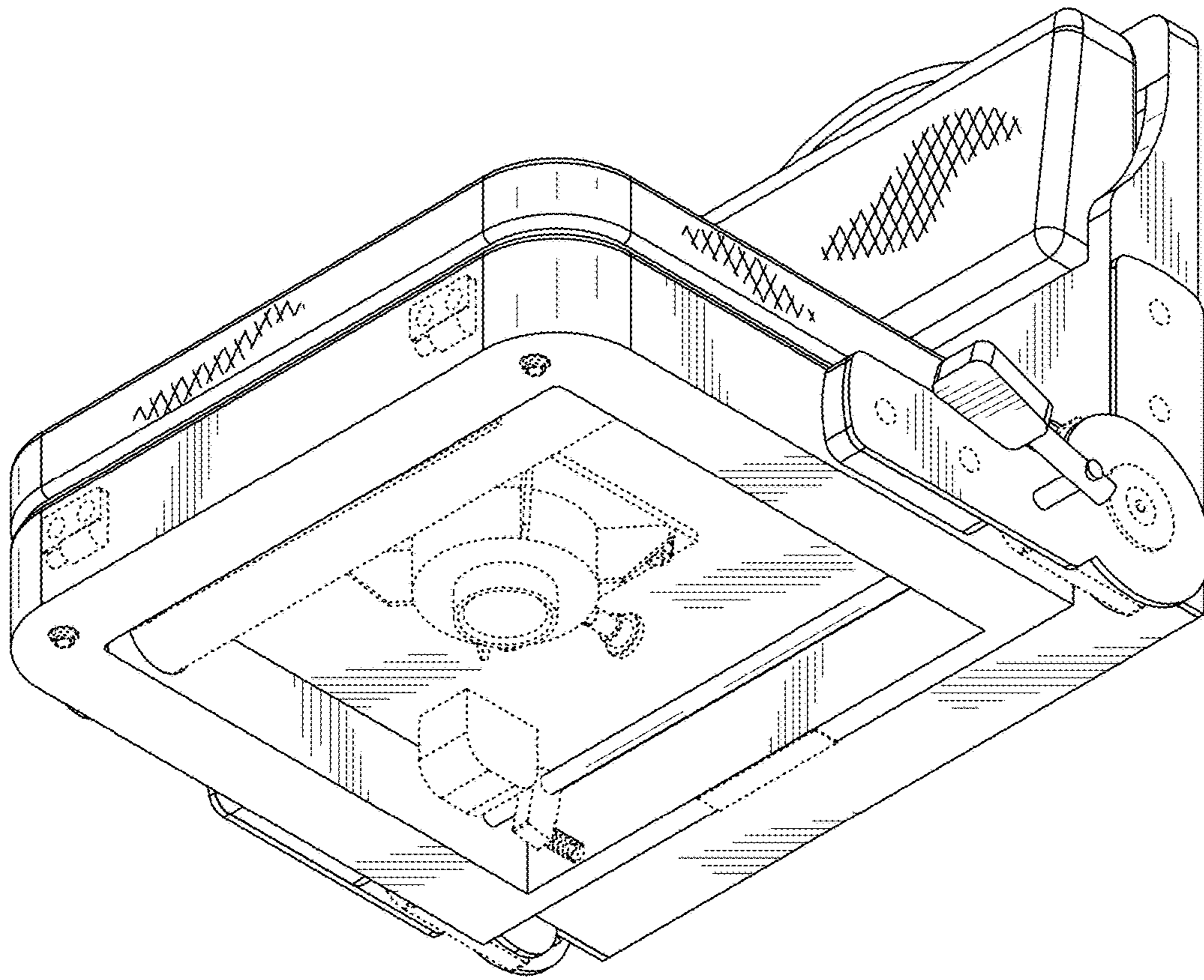


FIG. 10