



US00D854841S

(12) **United States Design Patent**
Levin

(10) **Patent No.:** **US D854,841 S**

(45) **Date of Patent:** **** Jul. 30, 2019**

(54) **BOAT CHAIR**

(71) Applicant: **Eric Martin Levin**, Severna Park, MD
(US)

(72) Inventor: **Eric Martin Levin**, Severna Park, MD
(US)

(**) Term: **15 Years**

(21) Appl. No.: **29/634,952**

(22) Filed: **Jan. 25, 2018**

(51) **LOC (11) Cl.** **06-01**

(52) **U.S. Cl.**
USPC **D6/356**

(58) **Field of Classification Search**
USPC D6/339, 353, 356, 368, 601, 655, 716.1,
D6/716.2, 716.3, 716.4, 716.5, 716.6,
D6/716.7
CPC .. A47C 3/04; A47C 3/16; A47C 7/021; A47C
7/407; A47C 17/1655; A47K 3/122;
B60N 2/02; B60N 2/20; B60N 2/22;
B60N 2/32; B60N 2/38; B60N 2/3002;
B60N 2/3004; B60N 2/3011; B60N
2/3065; B60N 2/3097; B63B 2709/00;
B63B 29/04; B63B 2029/043; Y10S
297/02

See application file for complete search history.

(56) **References Cited**

U.S. PATENT DOCUMENTS

D121,266 S * 7/1940 Archer 297/250.1
D135,333 S * 3/1943 Brown D6/360
2,792,053 A * 5/1957 Kursman A47K 3/122
108/134
D227,833 S * 7/1973 Olson D6/368
D274,581 S * 7/1984 Gallock D6/336
4,926,783 A 5/1990 Lathers
D312,004 S * 11/1990 Smith D6/368
5,020,854 A * 6/1991 Powell A47C 1/146
297/377

5,052,076 A * 10/1991 Spaeth B63B 29/04
16/266
5,058,949 A * 10/1991 Von Hoffman A47C 4/286
297/378.12
D377,574 S * 1/1997 Makes D6/336
5,688,023 A * 11/1997 Blocker, Jr. A47C 7/62
297/188.03

(Continued)

Primary Examiner — Kevin K Rudzinski

Assistant Examiner — Paul D Bohannon

(74) *Attorney, Agent, or Firm* — Garcia-Zamor IP Law;

Ruy M. Garcia-Zamor

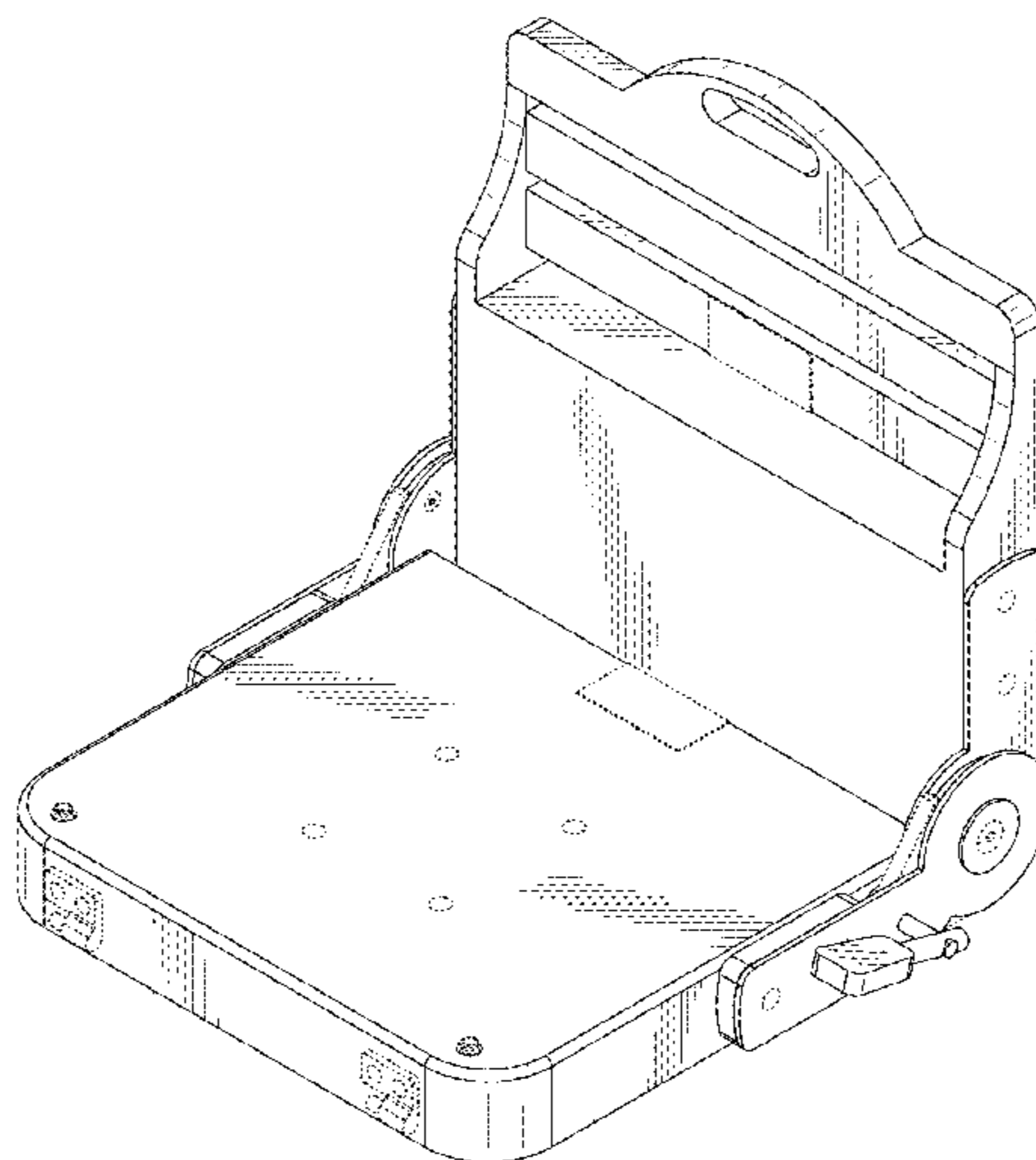
(57) **CLAIM**

The ornamental design for a boat chair, as shown and described.

DESCRIPTION

FIG. 1 is a top front perspective view of a boat chair according to the present invention;
FIG. 2 is a front side elevational view of the boat chair of FIG. 1;
FIG. 3 is a rear side elevational view of the boat chair of FIG. 1;
FIG. 4 is a left side elevational view of the boat chair of FIG. 1;
FIG. 5 is a right side elevational of the boat chair of FIG. 1;
FIG. 6 is a top plan view of the boat chair of FIG. 1;
FIG. 7 is a bottom plan view of the boat chair of FIG. 1;
FIG. 8 is a rear left bottom perspective view of the boat chair of FIG. 1;
FIG. 9 is rear right top perspective view of the boat chair of FIG. 1; and,
FIG. 10 is a front right bottom perspective view of the boat chair of FIG. 1.
The broken lines in FIGS. 1-10 represent environment and are for illustrative purposes only and do not constitute part of the claimed design.

1 Claim, 10 Drawing Sheets



(56)

References Cited

U.S. PATENT DOCUMENTS

5,688,024	A *	11/1997	Arizpe-Gilmore ...	A01M 31/02 297/217.1	7,367,616	B2	5/2008	Summerford	
5,697,318	A	12/1997	Kobayashi		D673,786	S *	1/2013	Szyma ski	D6/356
D411,381	S *	6/1999	Greaves	D6/368	D727,046	S *	4/2015	Alexander	D6/356
6,283,059	B1	9/2001	Scully, Jr.		D727,047	S *	4/2015	Alexander	D6/356
6,321,912	B1 *	11/2001	Lippert	A45C 5/14 206/320	9,021,975	B1	5/2015	Fodor	
6,527,341	B1	3/2003	Martin		D740,579	S *	10/2015	Begin	D6/356
6,880,482	B2	4/2005	Huse		9,955,790	B2 *	5/2018	Tang	A47C 7/48
6,981,741	B2 *	1/2006	Sirjoo	A47C 3/16 297/354.12	10,040,378	B2 *	8/2018	Hansen	B60N 2/3075
7,066,548	B2	6/2006	Butler		10,065,711	B2 *	9/2018	Fuller, IV	B63B 29/04
7,107,927	B2	9/2006	Hopper		2009/0146477	A1 *	6/2009	Yamada	B60N 2/3011 297/354.1
7,213,692	B2 *	5/2007	Wang	A45C 9/00 190/8	2010/0037814	A1	2/2010	Sahr	
D569,118	S *	5/2008	Lin	D6/368	2010/0102613	A1 *	4/2010	Labuwy	B60N 2/22 297/354.12
					2015/0097405	A1 *	4/2015	Schukalski	B60N 2/20 297/354.1
					2015/0313365	A1 *	11/2015	Thomas	A47C 1/16 5/653
					2016/0262543	A1 *	9/2016	Currie	A47C 7/748

* cited by examiner

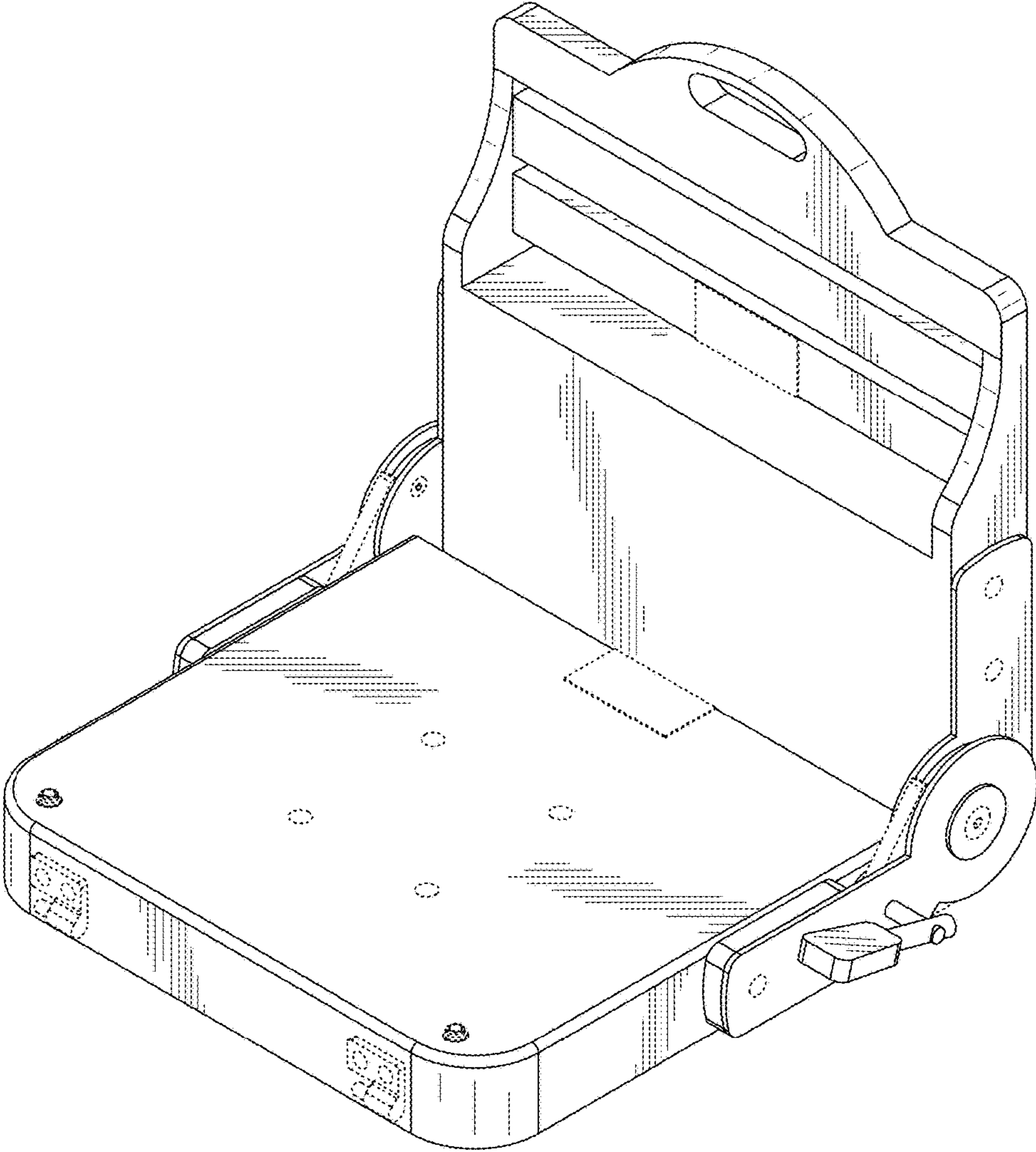


FIG. 1

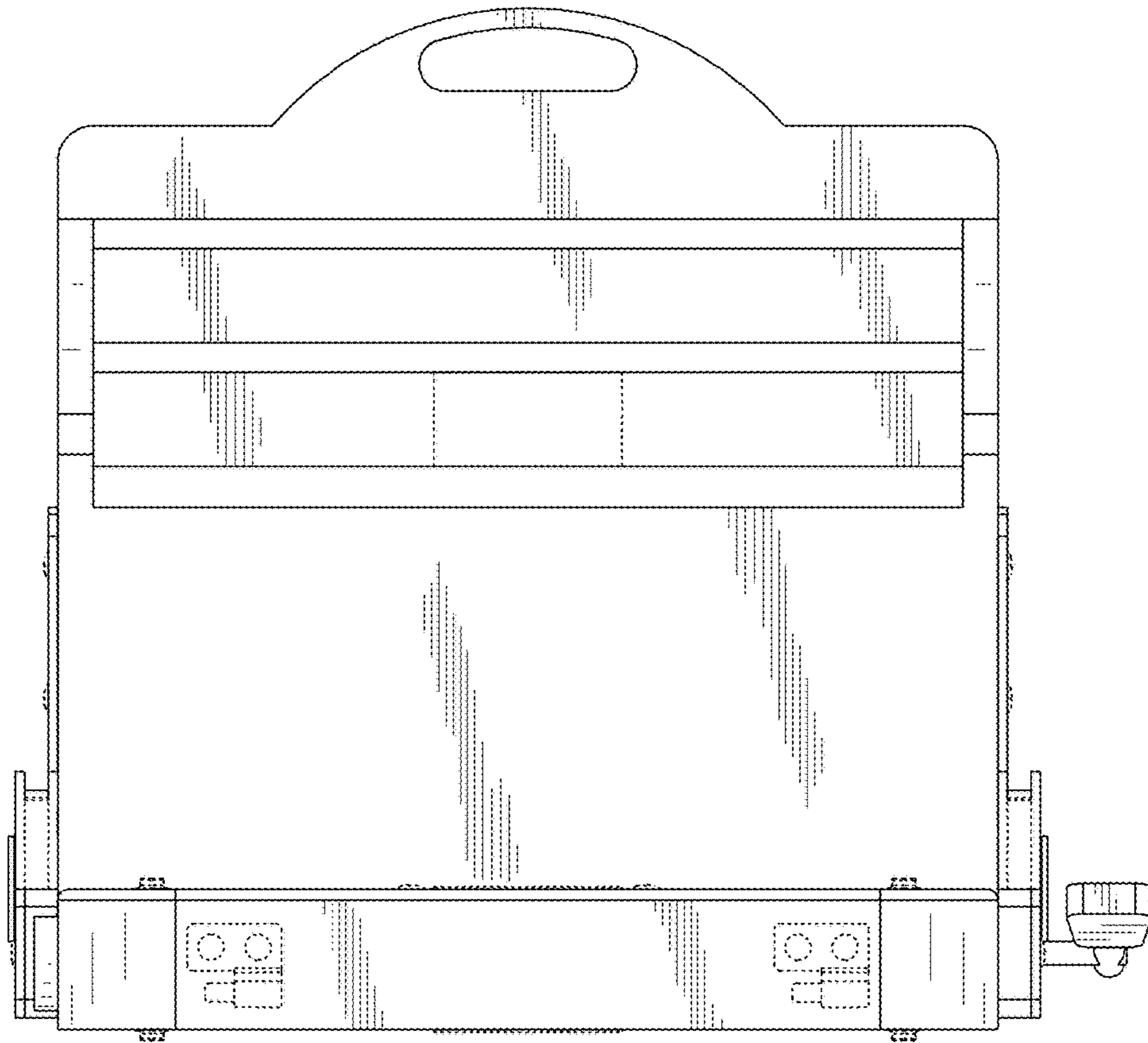


FIG. 2

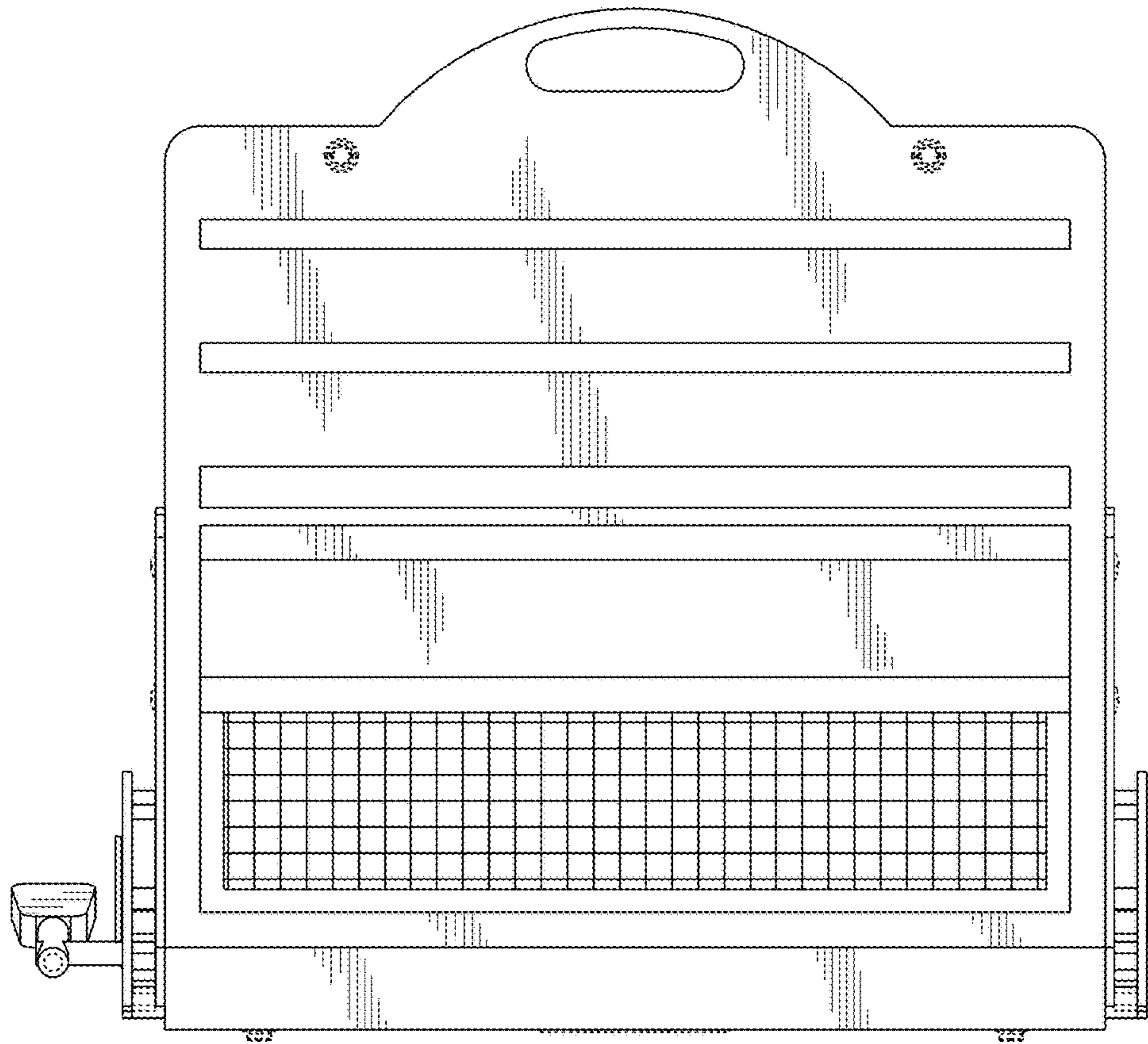


FIG. 3

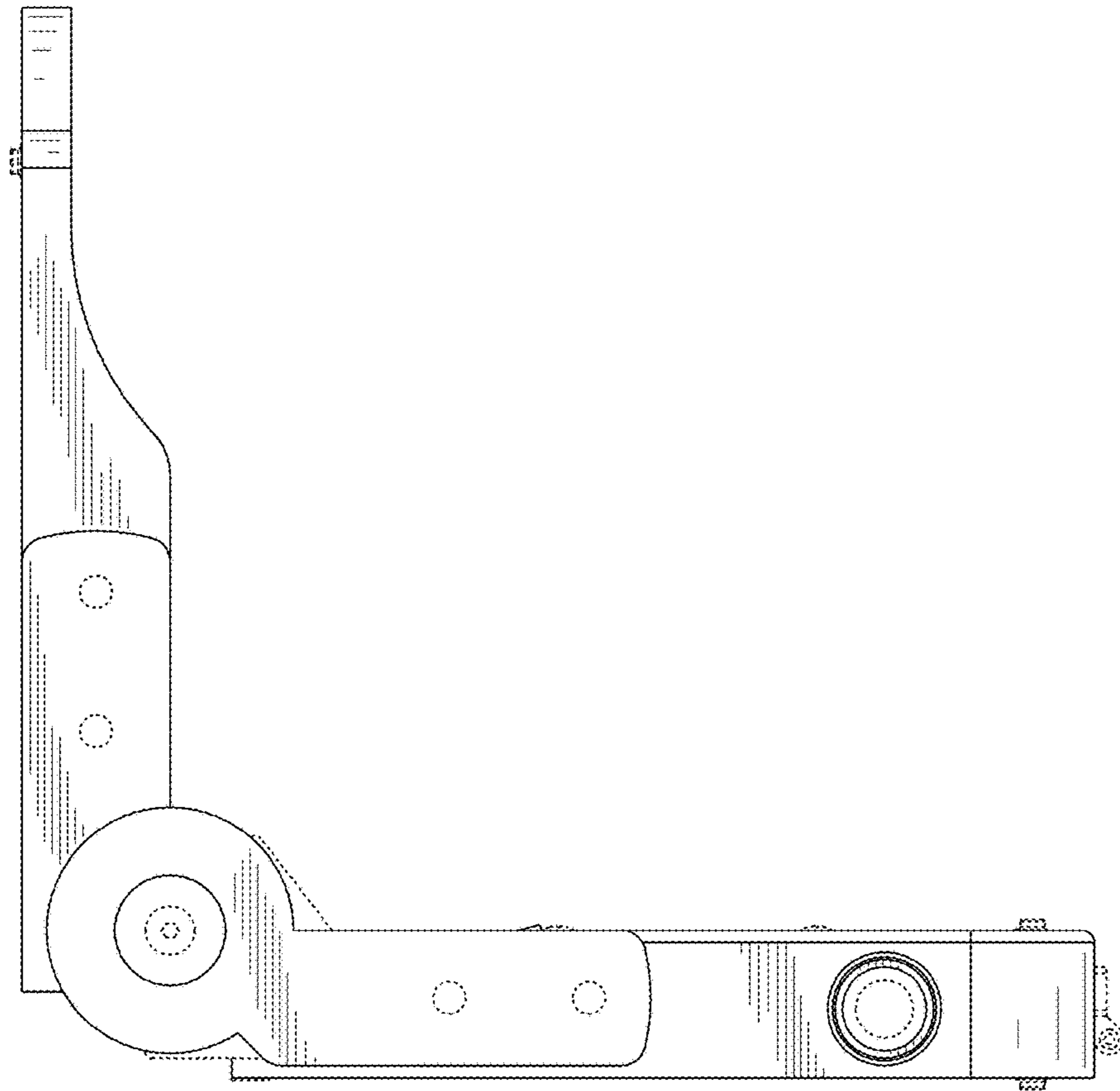


FIG. 4

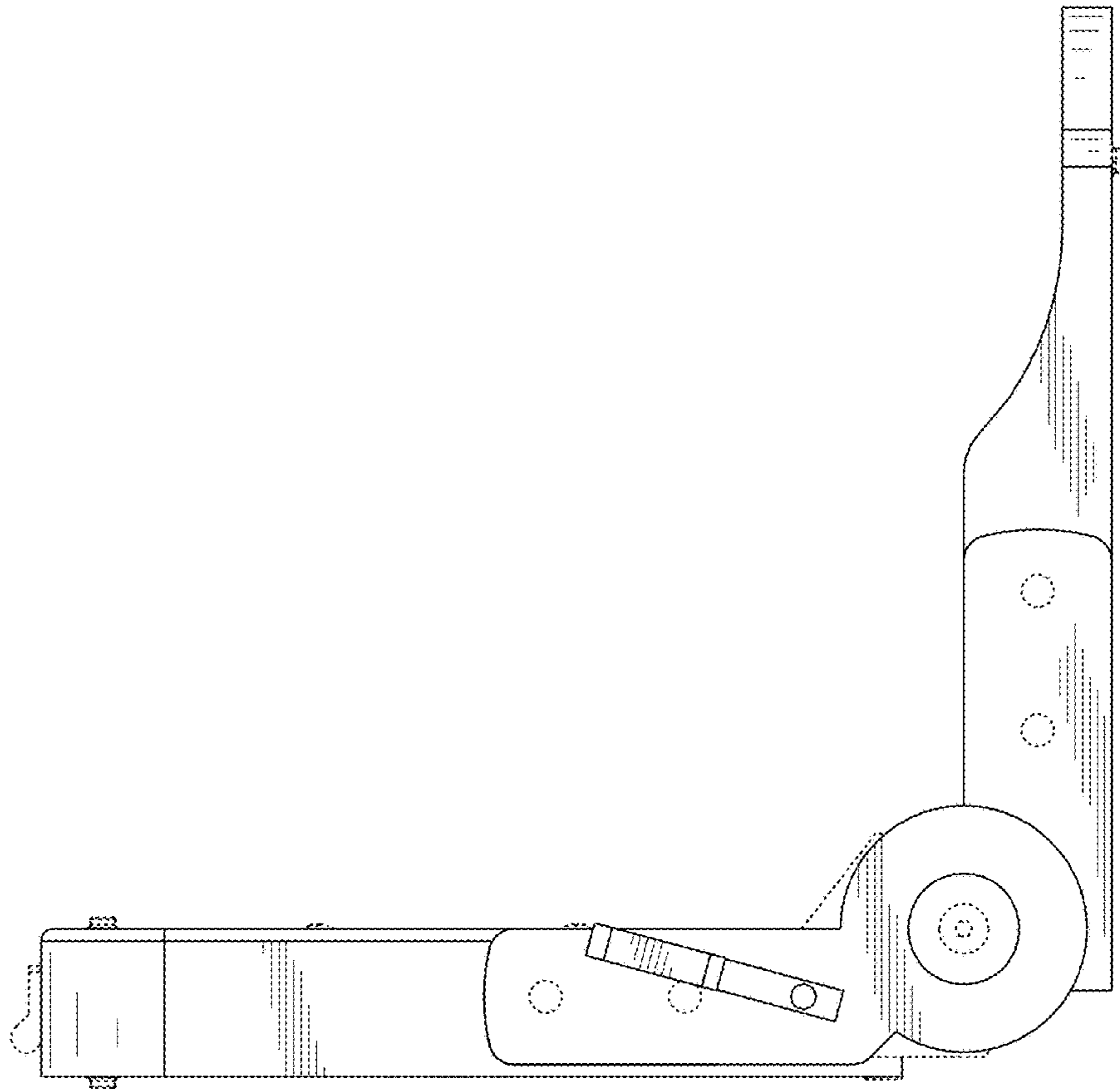


FIG. 5

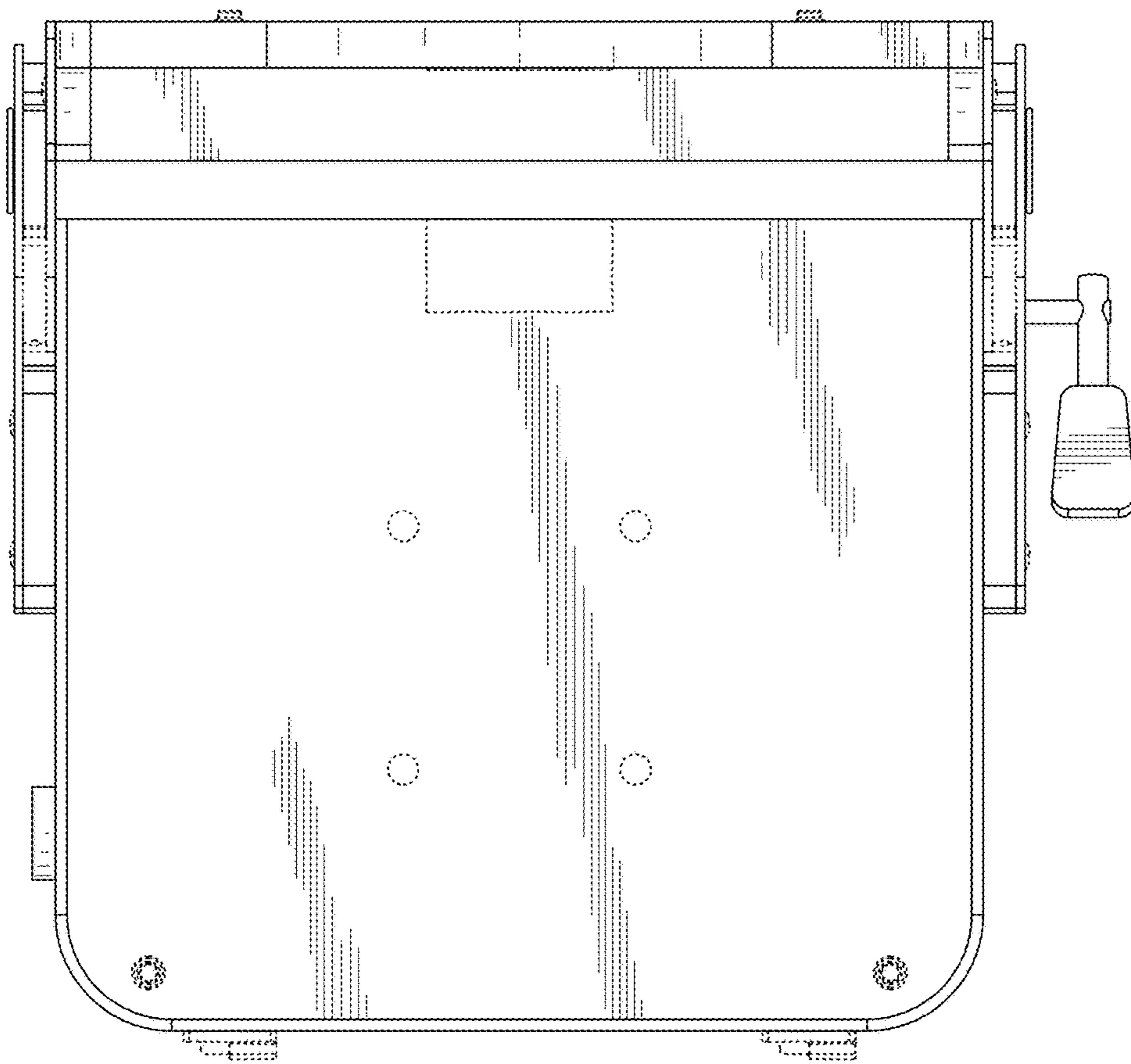


FIG. 6

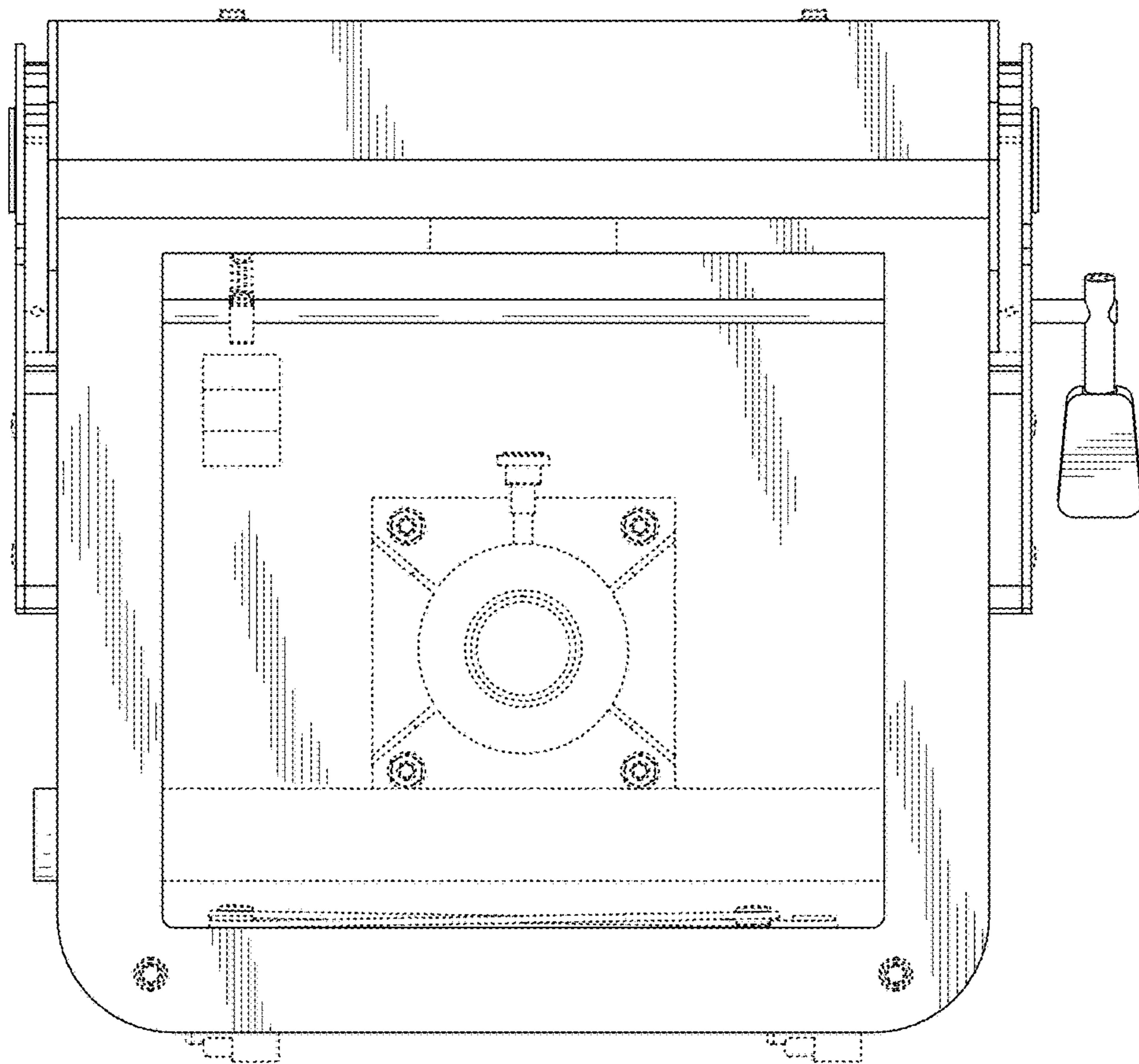


FIG. 7

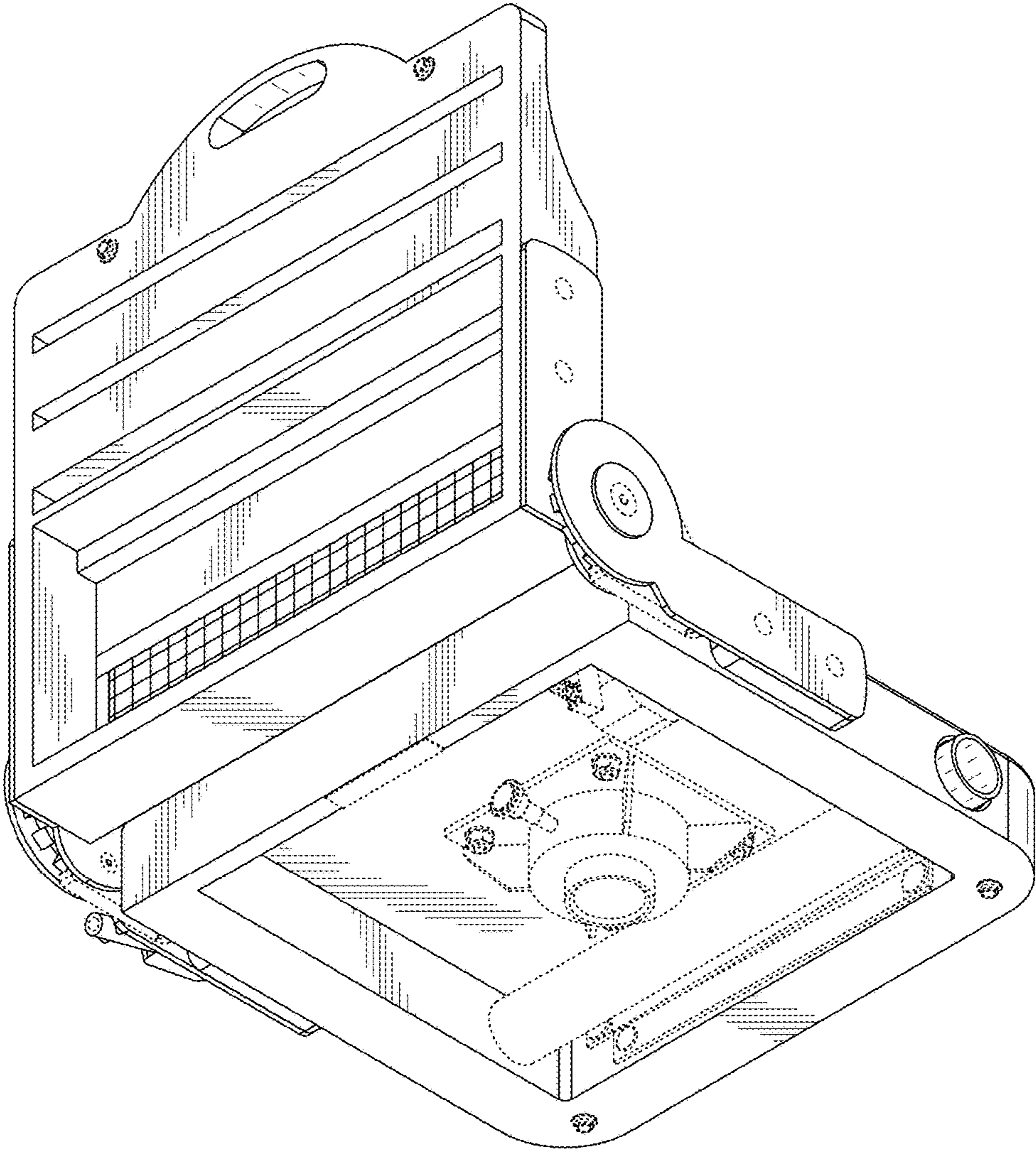


FIG. 8

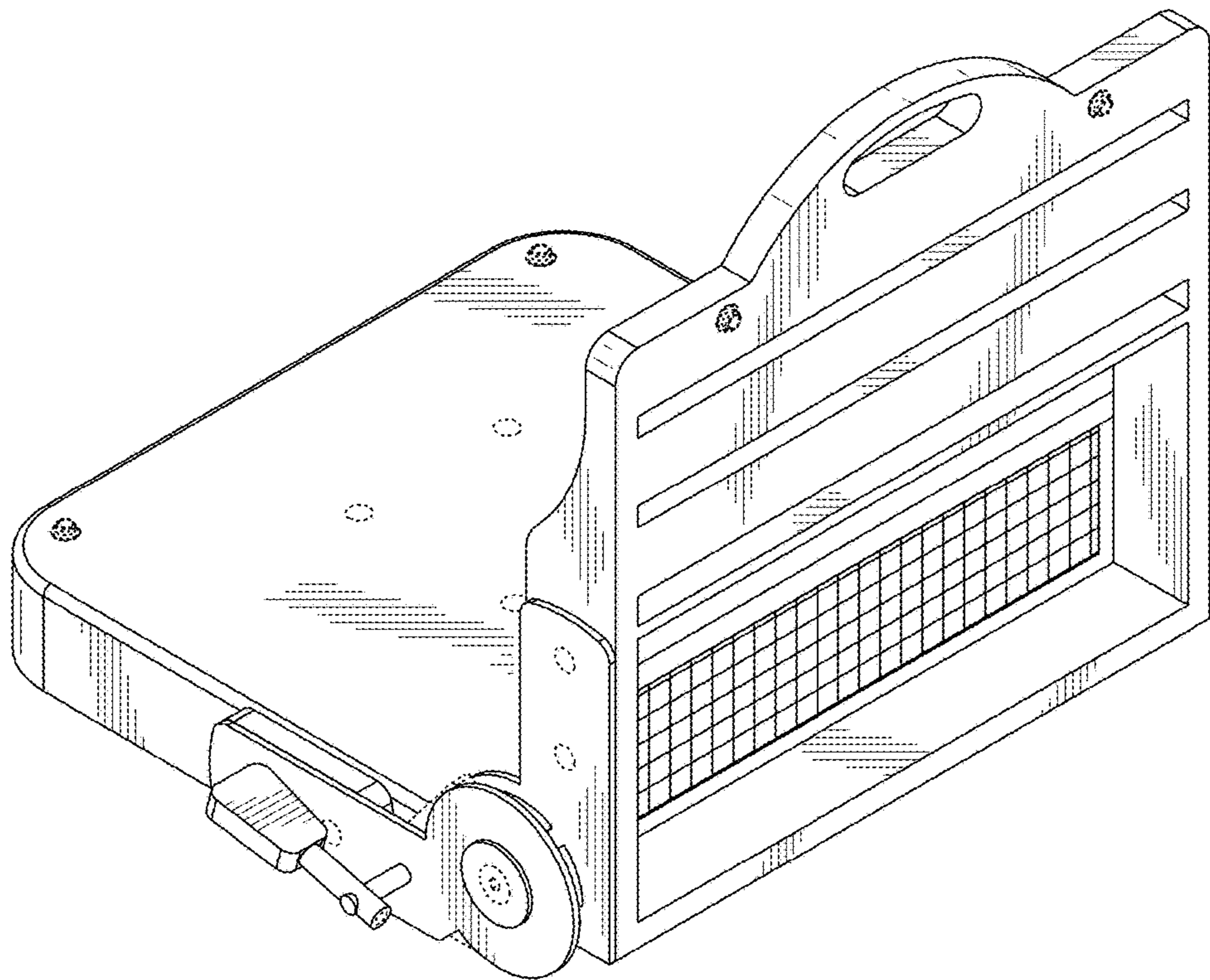


FIG. 9

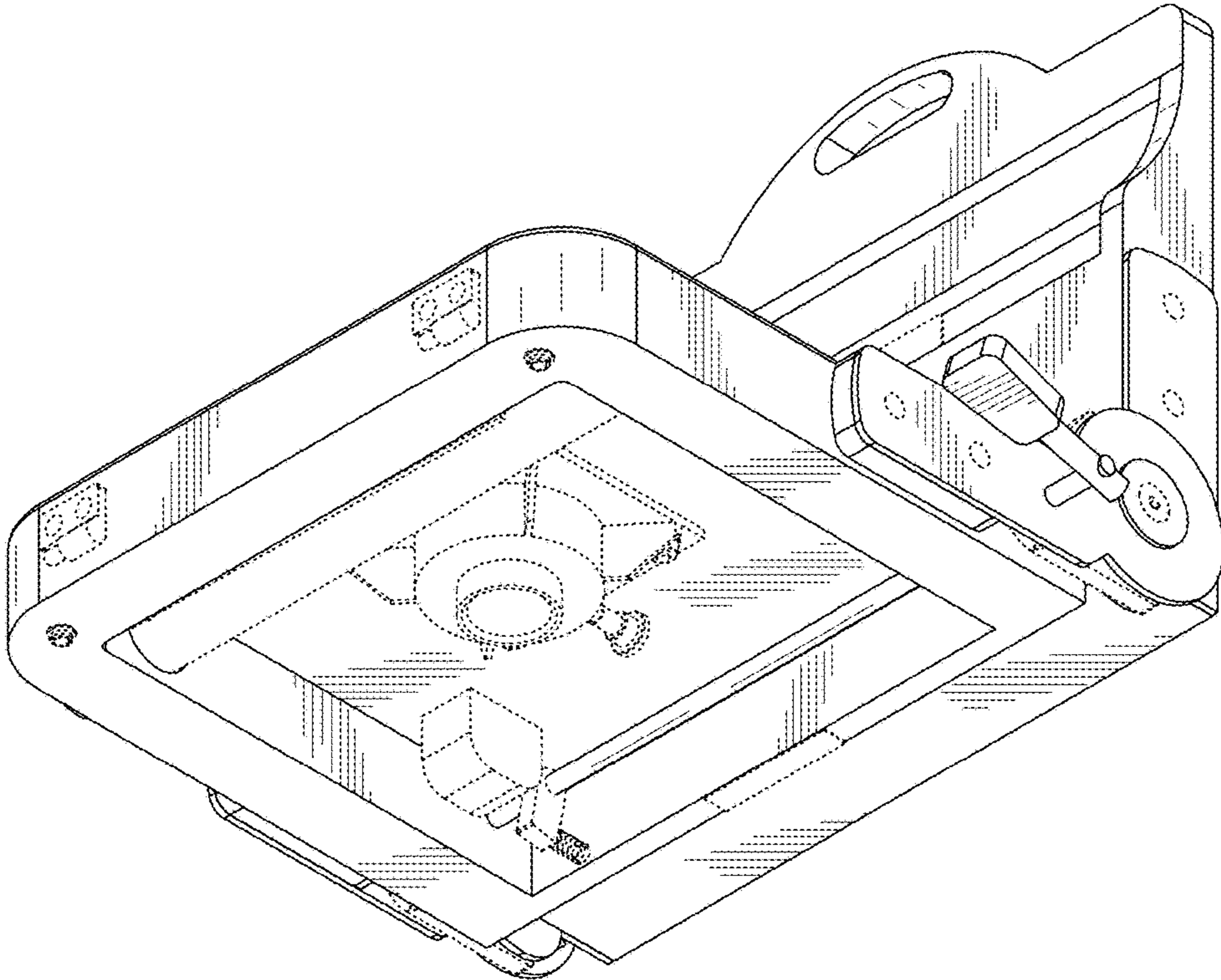


FIG. 10