



US00D854840S

(12) **United States Design Patent** (10) **Patent No.:** **US D854,840 S**
Sato et al. (45) **Date of Patent:** **** Jul. 30, 2019**

(54) **TOILET STOOL**

(71) Applicant: **IRIS OHYAMA INC.**, Sendai-shi,
Miyagi (JP)

(72) Inventors: **Kohei Sato**, Kakuda (JP); **Masayuki Miyawaki**, Kakuda (JP); **Masahiro Yoshida**, Kakuda (JP)

(73) Assignee: **IRIS OHYAMA INC.**, Sendai-shi (JP)

(**) Term: **15 Years**

(21) Appl. No.: **29/638,632**

(22) Filed: **Feb. 28, 2018**

(30) **Foreign Application Priority Data**

Sep. 1, 2017 (JP) 2017-018981

(51) **LOC (11) Cl.** **06-01**

(52) **U.S. Cl.**
USPC **D6/349**

(58) **Field of Classification Search**
USPC D6/334-338, 340-343, 349-353, 355,
D6/358, 364-365, 597, 691-691.9,
D6/692-692.6, 716-716.1
CPC A47B 7/00-02; A47C 11/00; A47C 12/00;
A47C 13/00; A47C 16/00; A47C 16/02;
A47C 16/04; A47C 9/00-105; A47K
17/02; A47K 17/028
See application file for complete search history.

(56) **References Cited**

U.S. PATENT DOCUMENTS

D268,796 S * 5/1983 Kola D6/349
4,713,846 A * 12/1987 Hodroski, Jr. A47K 17/00
4/254
D652,222 S * 1/2012 Edwards D6/349
D677,478 S * 3/2013 Edwards D6/349
D705,554 S * 5/2014 Edwards D6/349
D716,065 S * 10/2014 Hubbard, Jr. D6/349

D749,330 S * 2/2016 Jahns D6/349
D767,291 S * 9/2016 Edwards A47C 16/025
D6/353
D787,846 S * 5/2017 Naik D6/353
D797,466 S * 9/2017 Zioni D6/353
D801,063 S * 10/2017 Jia D6/349
D801,095 S * 10/2017 Konghe D6/716
D807,069 S * 1/2018 Konghe D6/349
D807,089 S * 1/2018 Konghe D6/711

OTHER PUBLICATIONS

IRIS Toilet Buttler Bathroom Toilet Stool. [online] Published May 17, 2018. Retrieved Nov. 9, 2018 from URL: https://www.amazon.com/IRIS-Toilet-Buttler-Bathroom-Stool/dp/B07B1RHLSQ/ref=sr_l_1?s=home-garden&ie=UTF8&qid=1541775372&sr=8-1&keywords=iris+toilet+butler+bathroom+toilet+stool%2C+white.*

(Continued)

Primary Examiner — Vy N Koenig
(74) *Attorney, Agent, or Firm* — Studebaker & Brackett PC

(57) **CLAIM**

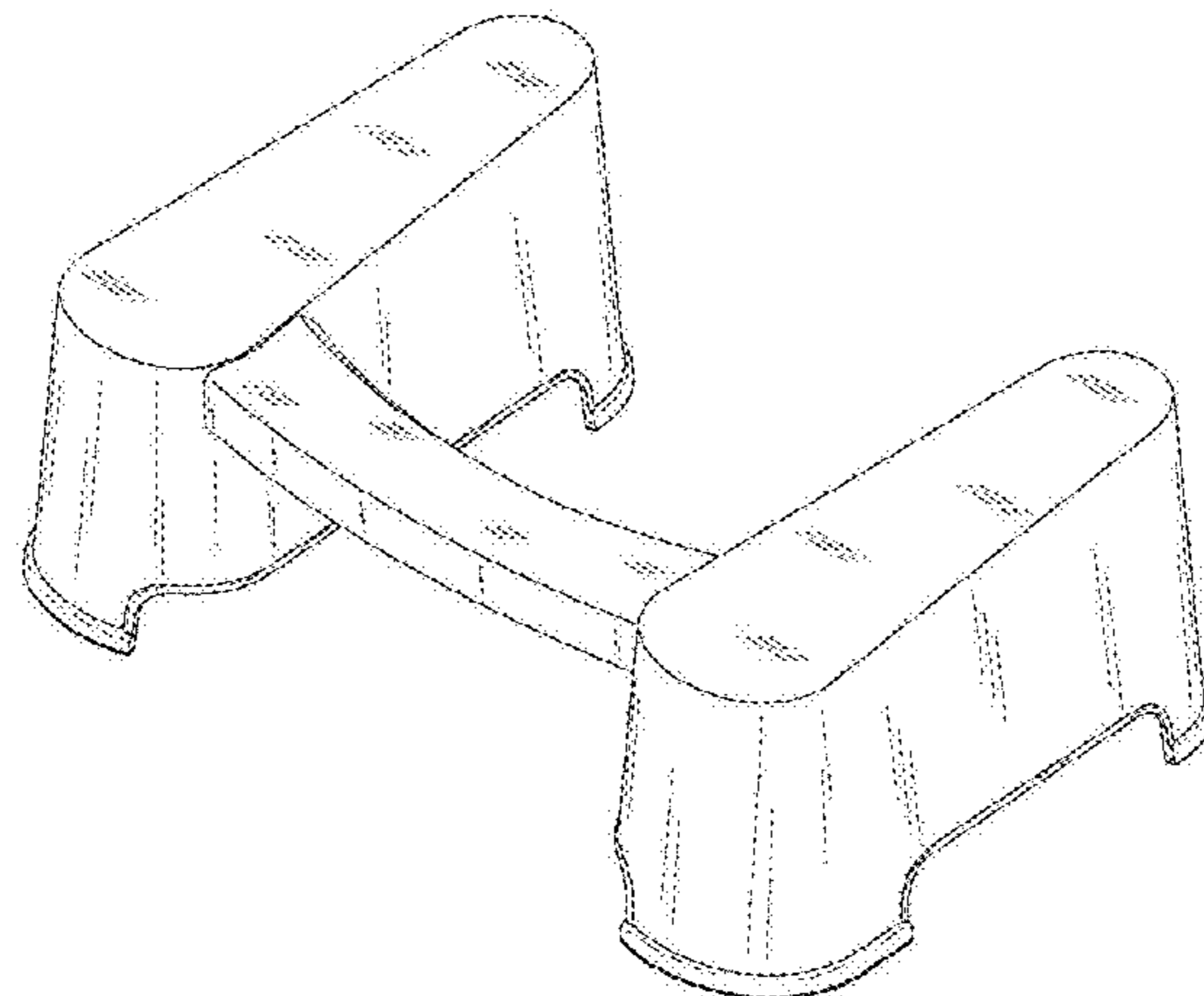
The ornamental design for a toilet stool, as shown and described.

DESCRIPTION

FIG. 1 is a front, top and right-side perspective view of a toilet stool showing our new design;
FIG. 2 is a front view thereof;
FIG. 3 is a rear view thereof;
FIG. 4 is a top view thereof;
FIG. 5 is a bottom view thereof;
FIG. 6 is a right-side view thereof, with a left-side view being a mirror image thereof; and,
FIG. 7 is a front, bottom and right-side perspective view thereof.

The broken lines depict portions of a toilet stool in which the design is embodied and form no part of the claimed design.

1 Claim, 6 Drawing Sheets



(56)

References Cited

OTHER PUBLICATIONS

Squat-N-Go 7 in. White Detachable Space Saver Toilet Stool.
[online] Published on May 1, 2017. Retrieved Nov. 9, 2018 from
URL: <https://www.homedepot.com/p/Squat-N-Go-7-in-White-Detachable-Space-Saver-Toilet-Stool-507722/303399555>.*

An Office Action; "Notice of Allowance", issued by the Japanese Patent Office on May 22, 2018, which corresponds to Japanese Design Application No. 2017-018981; with English language Concise Explanation.

* cited by examiner

FIG. 1

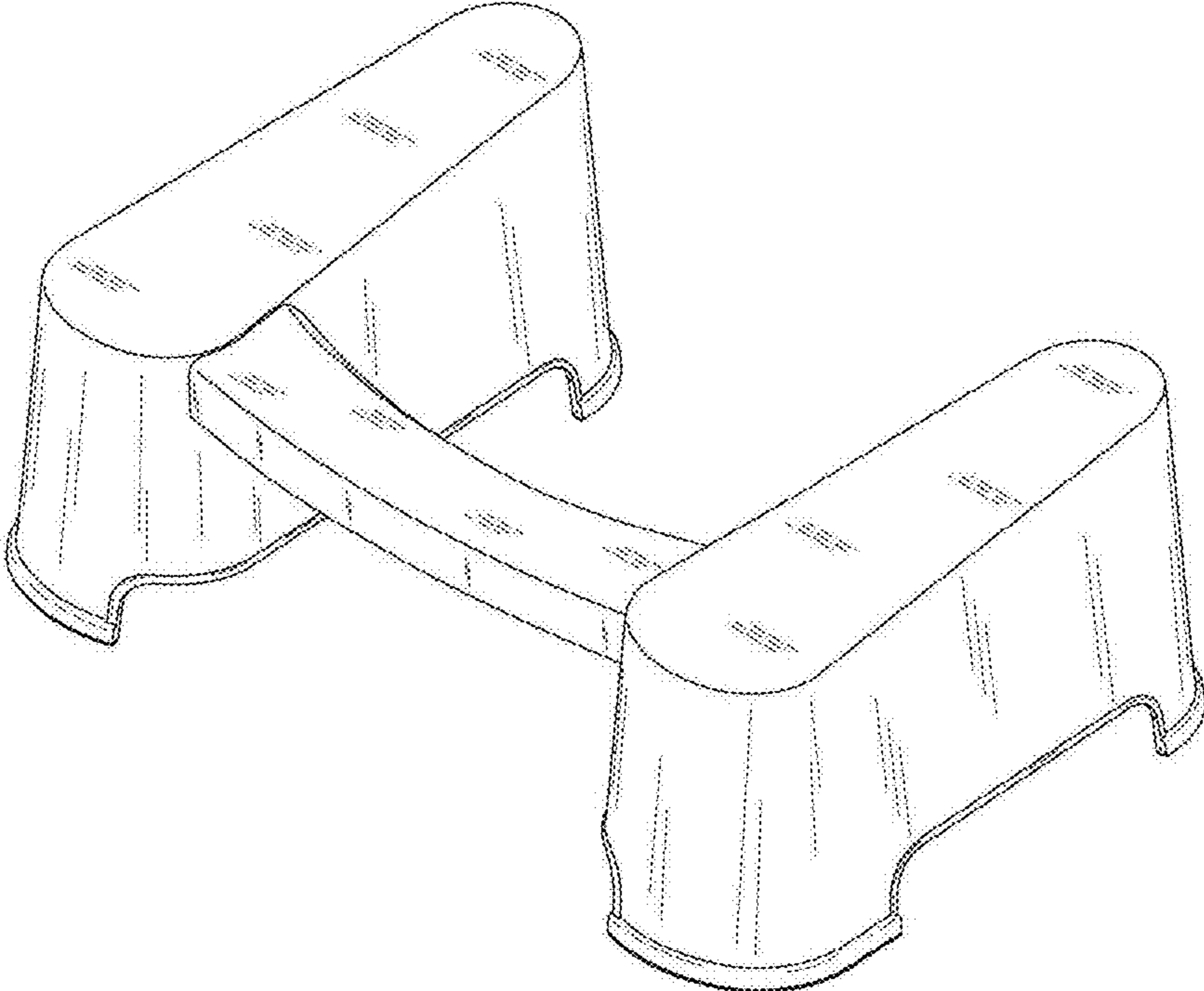


FIG. 2

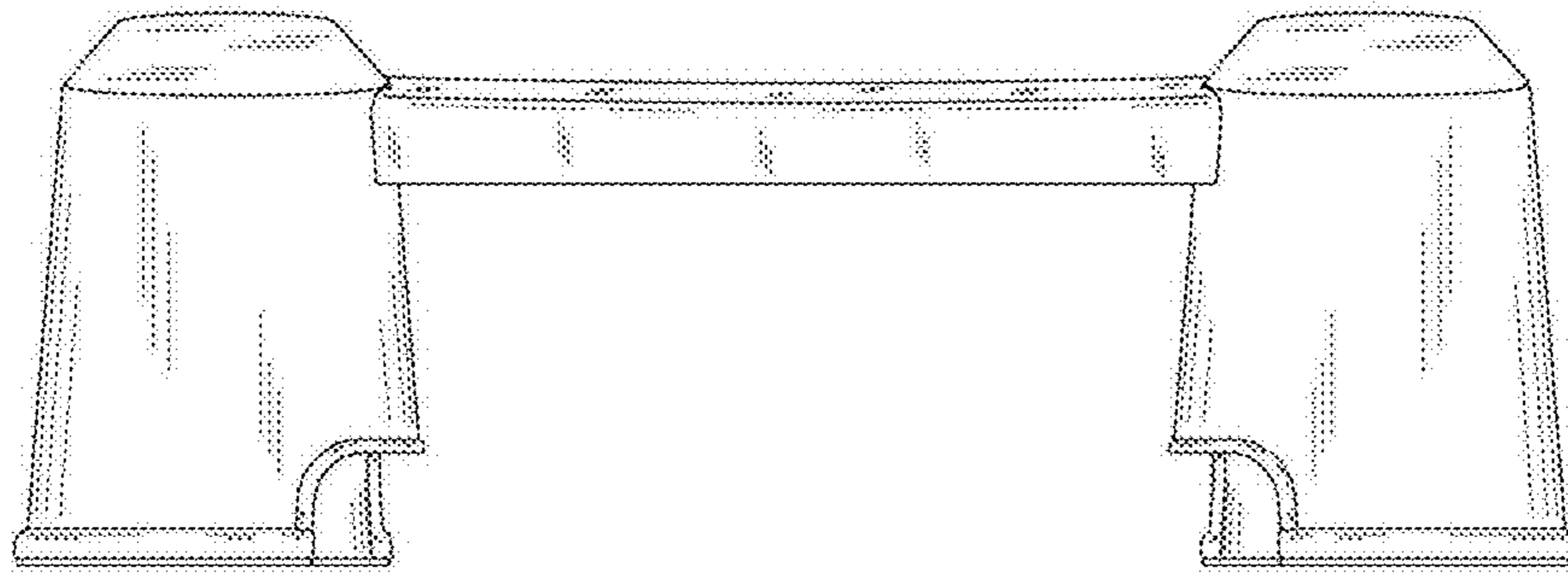


FIG. 3

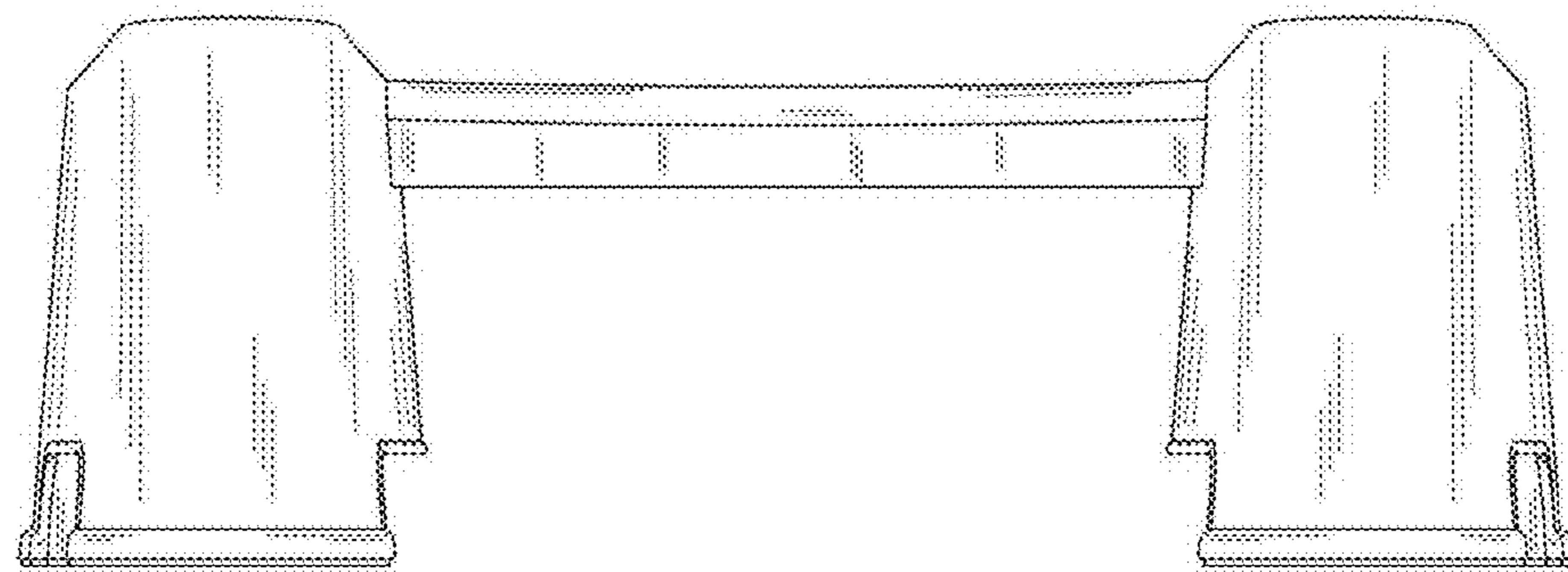


FIG. 4

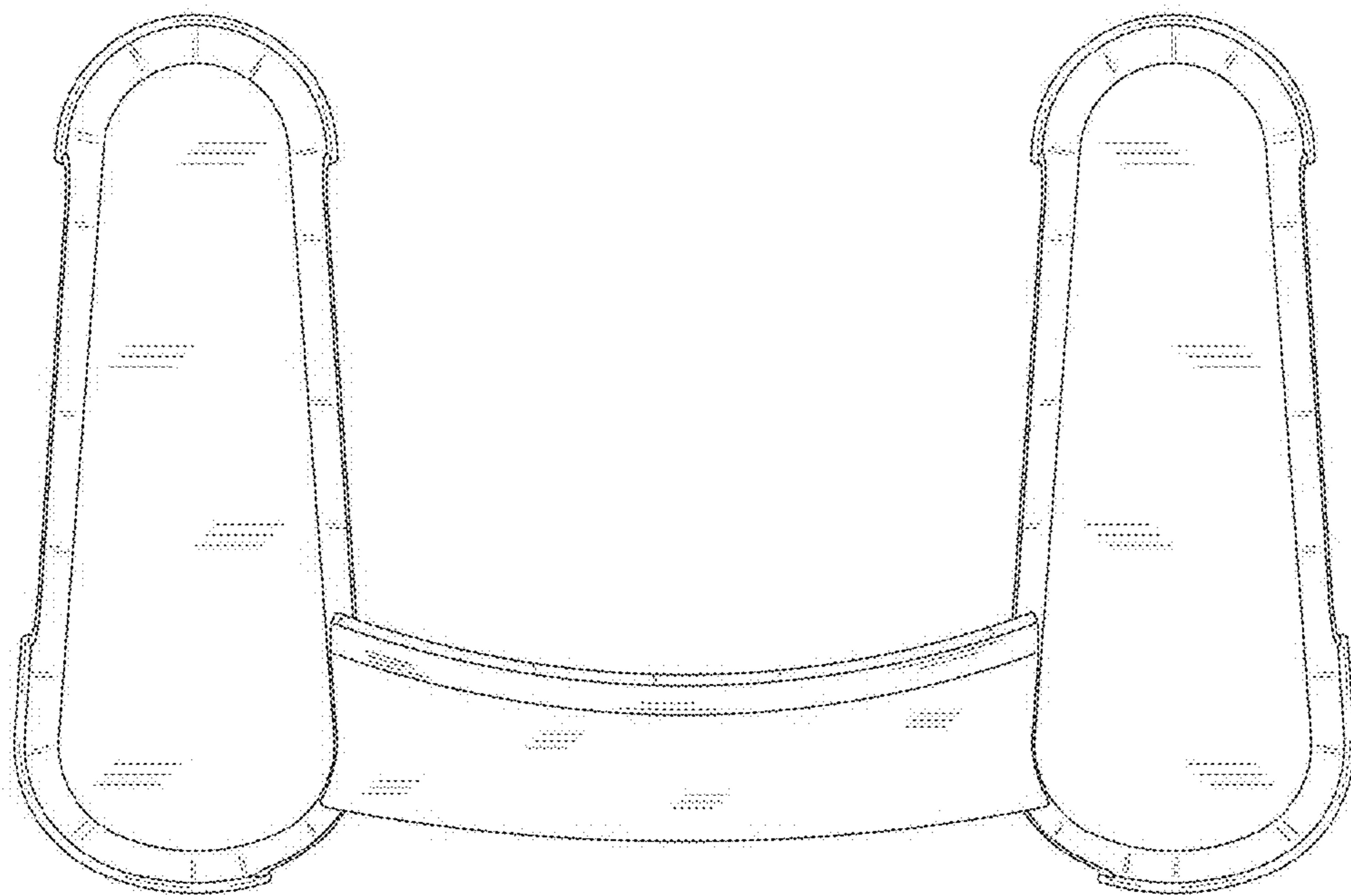


FIG. 5

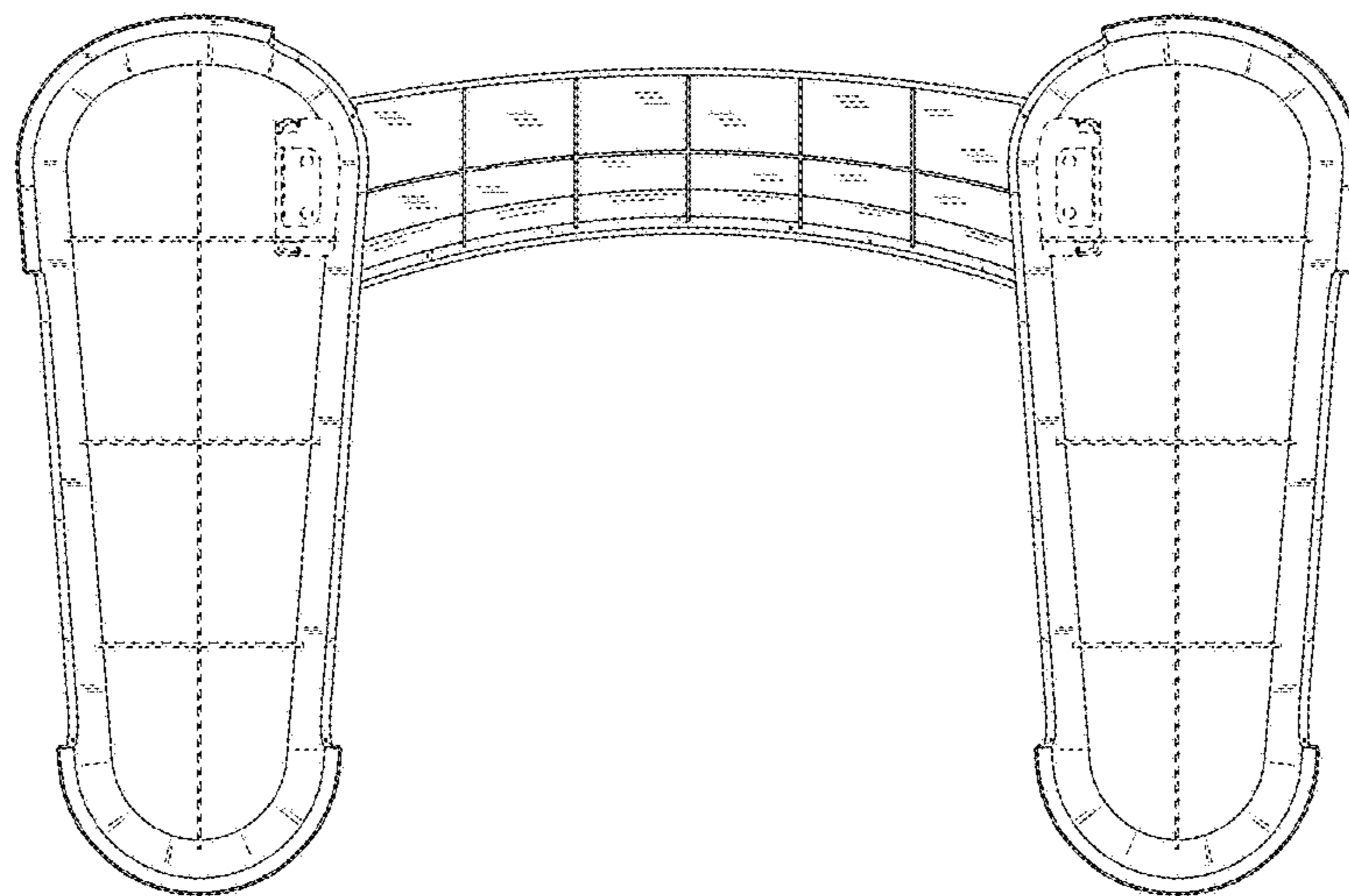


FIG. 6

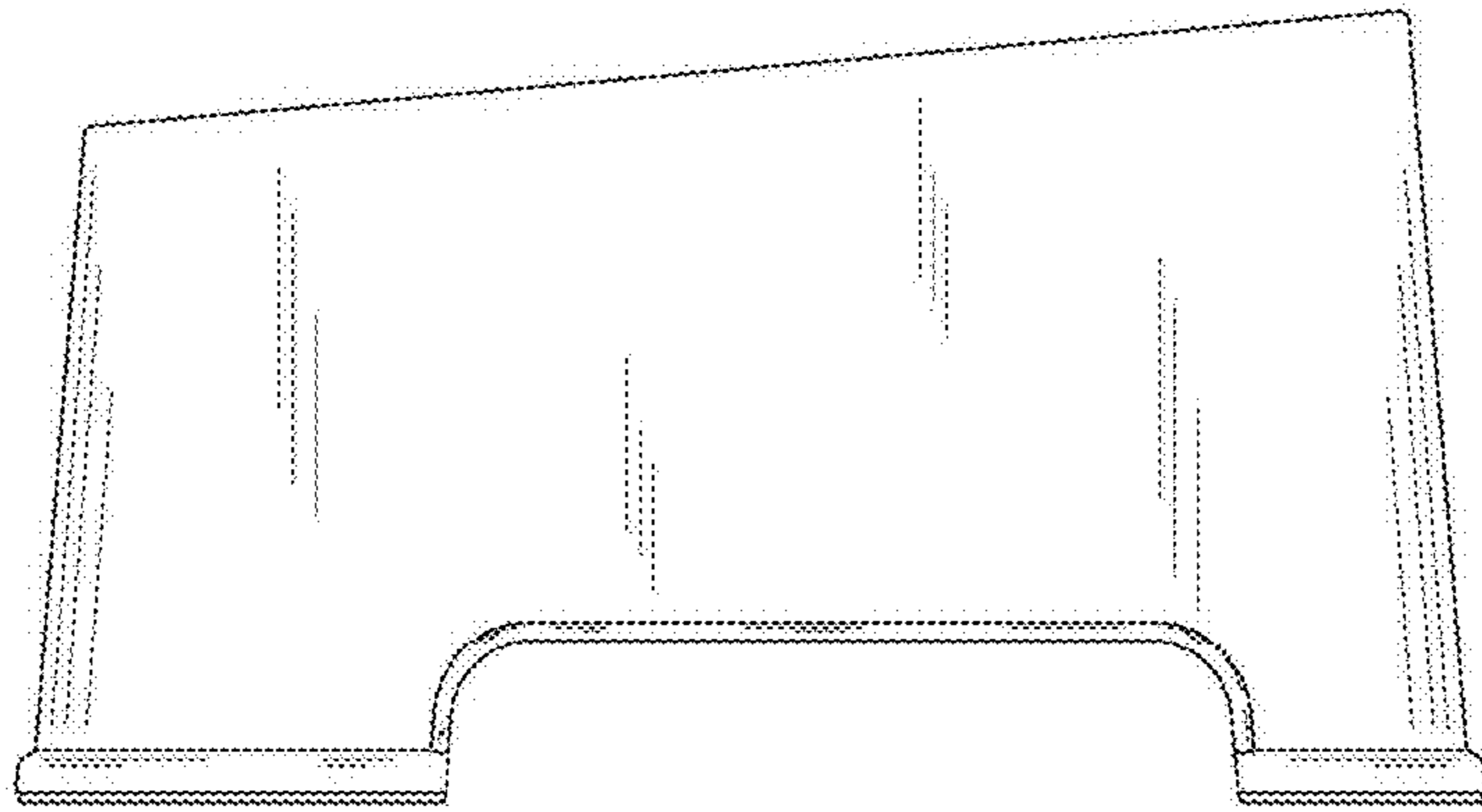


FIG. 7

