



US00D854839S

(12) **United States Design Patent** (10) **Patent No.:** **US D854,839 S**
Hiyoshi et al. (45) **Date of Patent:** **** Jul. 30, 2019**

(54) **FURNITURE SETTING**

(56) **References Cited**

(71) Applicant: **Steelcase Inc.**, Grand Rapids, MI (US)
(72) Inventors: **Yuka Hiyoshi**, Grand Rapids, MI (US);
Mark Spoelhoff, Grand Rapids, MI (US); **William Bennie**, Rockford, MI (US); **Rolf Pascal Hien**, Radebeul (DE); **Irfan Kachwalla**, Mid Levels West (HK); **James Ludwig**, Grand Rapids, MI (US); **Jessica Nebel**, Munich (DE); **Santiago Carral O’Gorman**, Grand Rapids, MI (US); **Madison Scheper**, Grand Rapids, MI (US); **Bruce Smith**, East Grand Rapids, MI (US)

U.S. PATENT DOCUMENTS

61,610 A	1/1867	Cutter	
936,451 A	10/1909	Havenhill	
1,992,903 A *	2/1935	Potashnik	A47B 83/02
			108/161
D99,959 S	6/1936	Nathan	
3,498,654 A	3/1970	Diaz et al.	
D252,484 S	7/1979	Petersilie	
D284,046 S	6/1986	Staats et al.	
D289,950 S	5/1987	Offredi	
D293,637 S	1/1988	Tallon	
D352,186 S	11/1994	Torck et al.	
D368,174 S	3/1996	Lewis	
D376,274 S	12/1996	Lewis	
D382,129 S	8/1997	Lewis	
D387,573 S	12/1997	Lewis	

(Continued)

(73) Assignee: **Steelcase Inc.**, Grand Rapids, MI (US)
(**) Term: **15 Years**
(21) Appl. No.: **29/628,833**
(22) Filed: **Dec. 7, 2017**

Primary Examiner — Deanna L Pratt

(74) *Attorney, Agent, or Firm* — Brinks Gilson & Lione

(57) **CLAIM**

We claim the ornamental design for a furniture setting, as shown and described.

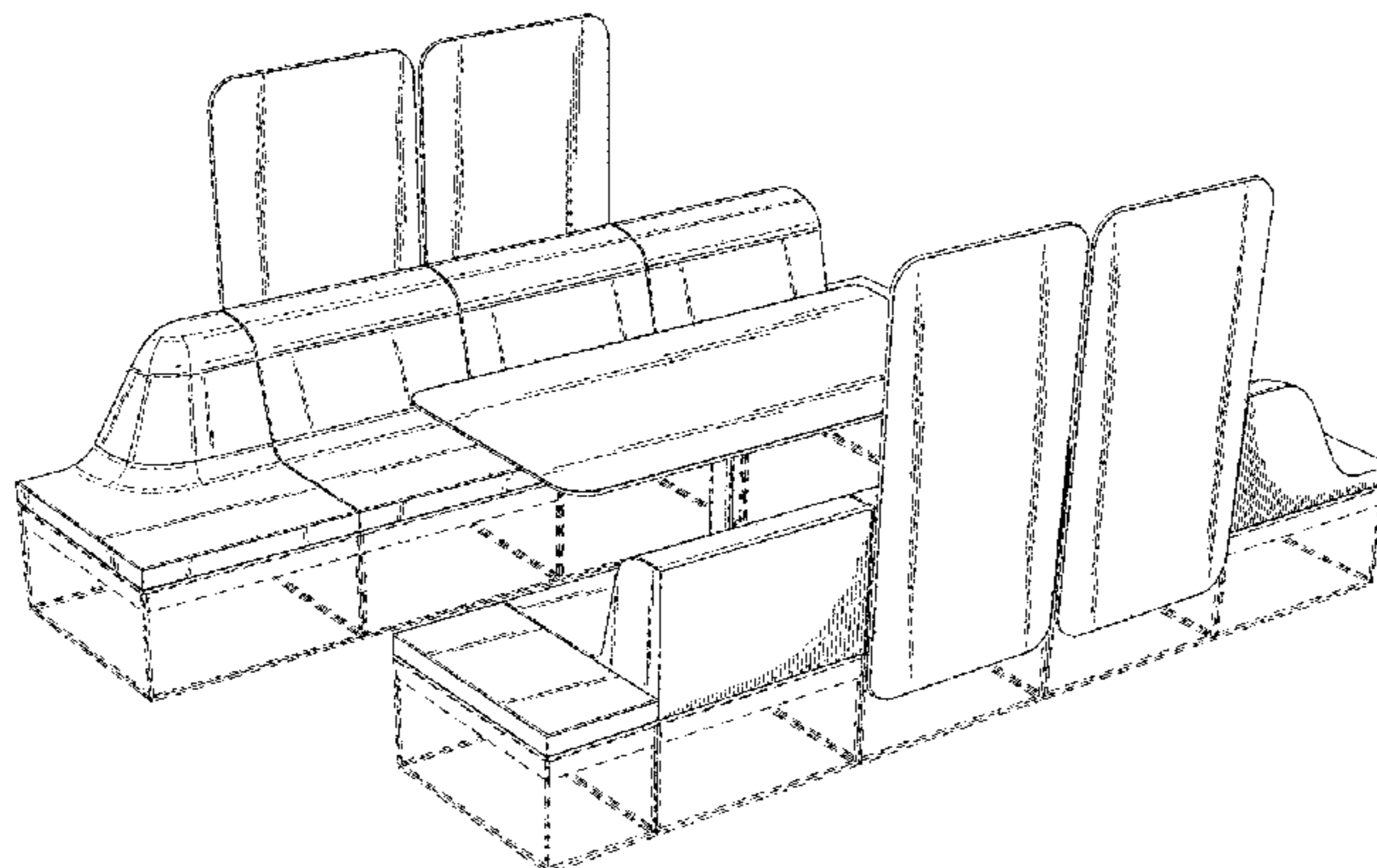
DESCRIPTION

FIG. 1 is a first top perspective view of a furniture setting of the present invention;
FIG. 2 is a second top perspective view thereof from one end;
FIG. 3 is a third top perspective view thereof from one rear side;
FIG. 4 is a top plan view thereof;
FIG. 5 is a first rear elevation view thereof;
FIG. 6 is a left side elevation view thereof;
FIG. 7 is a second rear elevation view thereof, opposite that of FIG. 5; and,
FIG. 8 is a right side elevation view thereof, opposite that of FIG. 6.
The broken lines in the drawings illustrate portions of the furniture setting that form no part of the claimed design.

Related U.S. Application Data

(62) Division of application No. 29/567,647, filed on Jun. 10, 2016, now Pat. No. Des. 815,441.
(51) **LOC (11) Cl.** **06-01**
(52) **U.S. Cl.**
USPC **D6/337**
(58) **Field of Classification Search**
USPC D6/334, 335, 336, 337, 360, 361, 367,
D6/368, 371–375, 379–381, 716,
D6/716.1–716.8
CPC A47B 83/00; A47B 83/02; A47B 83/04;
A47B 87/00; A47C 13/005
See application file for complete search history.

1 Claim, 8 Drawing Sheets



(56)

References Cited

U.S. PATENT DOCUMENTS

D431,381 S	10/2000	Gomez		D682,575 S	5/2013	Versace	
D439,071 S	3/2001	D'Urso et al.		D695,035 S	12/2013	Ciani et al.	
D448,946 S	10/2001	Goetz		D698,172 S	1/2014	Ciani et al.	
D476,819 S *	7/2003	Williams	D6/334	D699,461 S *	2/2014	Bosman	D6/371
D480,883 S *	10/2003	Williams	D6/334	D704,468 S *	5/2014	Gaschy	D6/371
D482,535 S *	11/2003	Williams	D6/334	D712,173 S	9/2014	Ciani et al.	
D482,536 S *	11/2003	Williams	D6/335	D712,674 S	9/2014	Ciani et al.	
D484,712 S	1/2004	Gomez		D722,443 S *	2/2015	Baraldi	D6/335
D484,713 S	1/2004	Gomez		D722,445 S *	2/2015	Baraldi	D6/336
D515,837 S	2/2006	Nicoletti		D740,039 S *	10/2015	Bouroullec	D6/335
D519,743 S	5/2006	Suzuki et al.		D743,726 S	11/2015	Yeh	
D534,735 S *	1/2007	Maltz	D6/375	D787,206 S *	5/2017	Webb	D6/335
D553,867 S *	10/2007	Williams	D6/335	D794,344 S *	8/2017	MacAllen	D6/335
D567,526 S *	4/2008	Williams	D6/381	D795,604 S *	8/2017	Webb	D6/381
D567,527 S	4/2008	Galardo		D805,310 S *	12/2017	Grcic	D6/335
D576,820 S	9/2008	Priestman		D807,655 S *	1/2018	Webb	D6/335
D577,924 S	10/2008	van Ierssel et al.		D811,109 S *	2/2018	Hiyoshi	D6/375
D577,926 S	10/2008	Marin et al.		D815,441 S *	4/2018	Hiyoshi	D6/337
D589,714 S	4/2009	Cazares et al.		D818,733 S *	5/2018	Hiyoshi	D6/377
D602,705 S	10/2009	Holbrook		D818,735 S *	5/2018	Hiyoshi	D6/381
D641,564 S *	7/2011	Urquiola	D6/381	D821,763 S *	7/2018	Woods	D6/334
D643,643 S	8/2011	Lievore		D821,765 S *	7/2018	Woods	D6/342
D680,762 S *	4/2013	Nagata	D6/335	D830,750 S *	10/2018	Hiyoshi	D6/716
D681,361 S	5/2013	Silver et al.		D830,752 S *	10/2018	Hiyoshi	D6/716
				2005/0140184 A1 *	6/2005	Williams	A47B 83/00 297/135

* cited by examiner

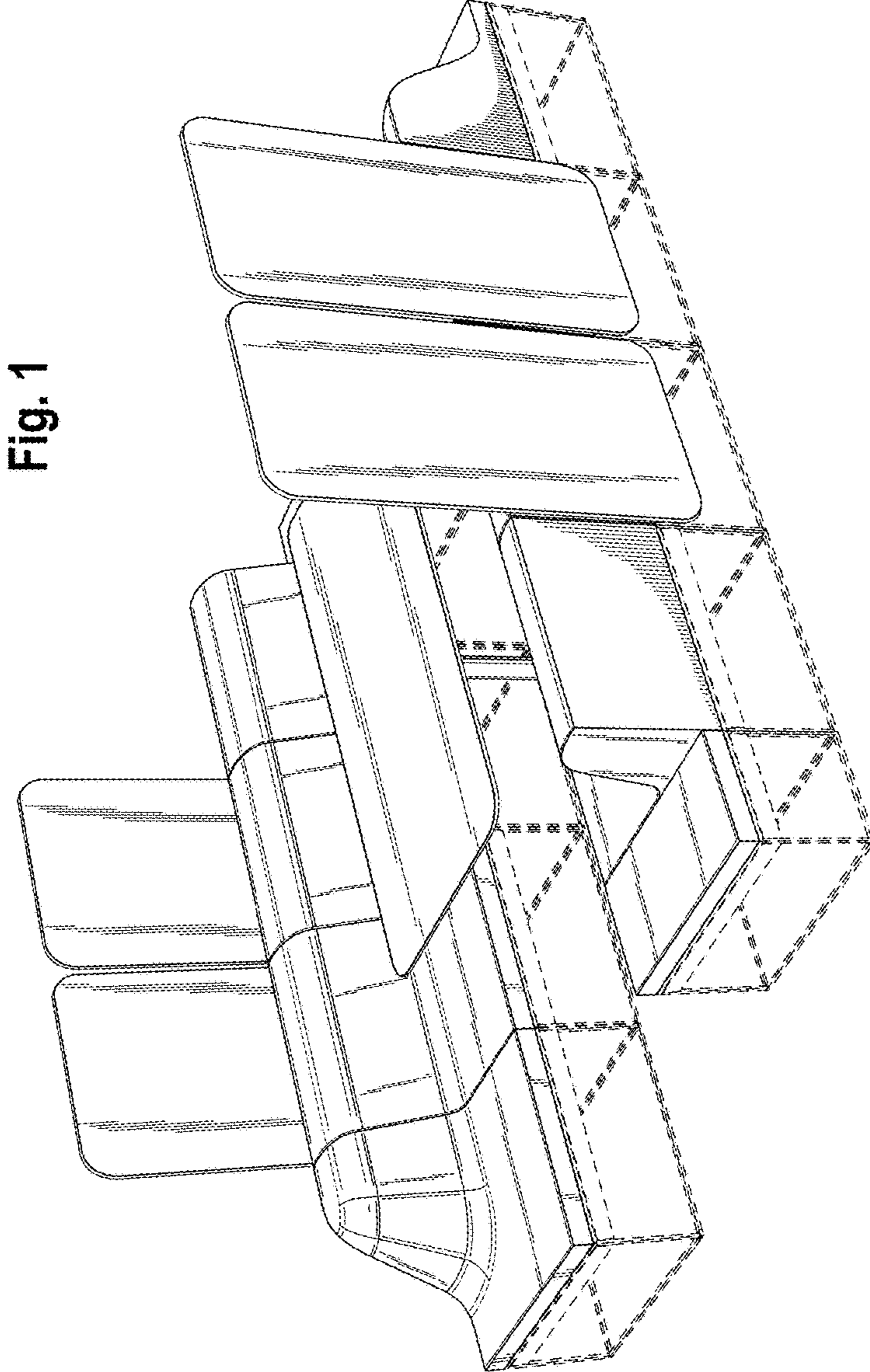


Fig. 1

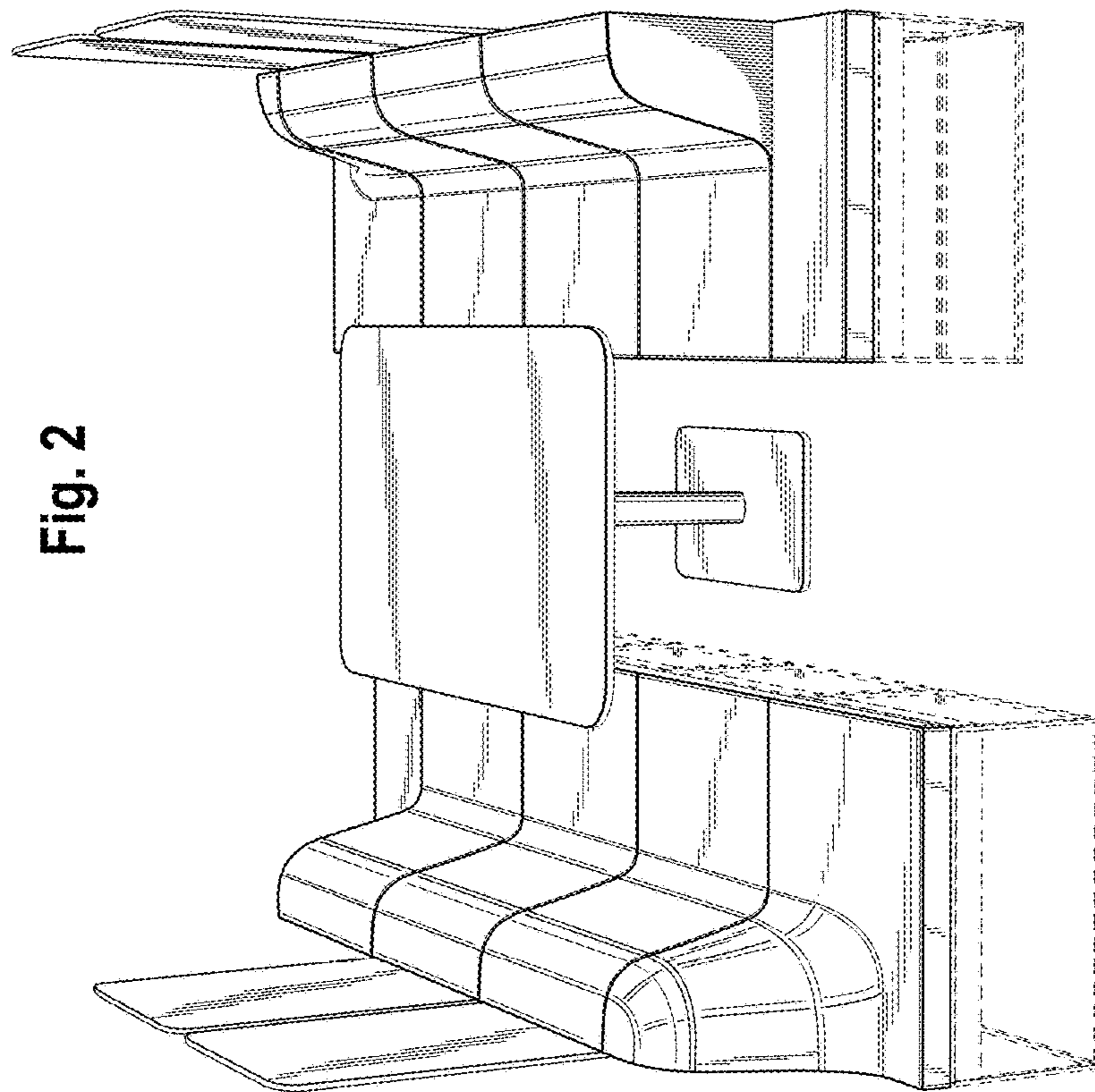


Fig. 2

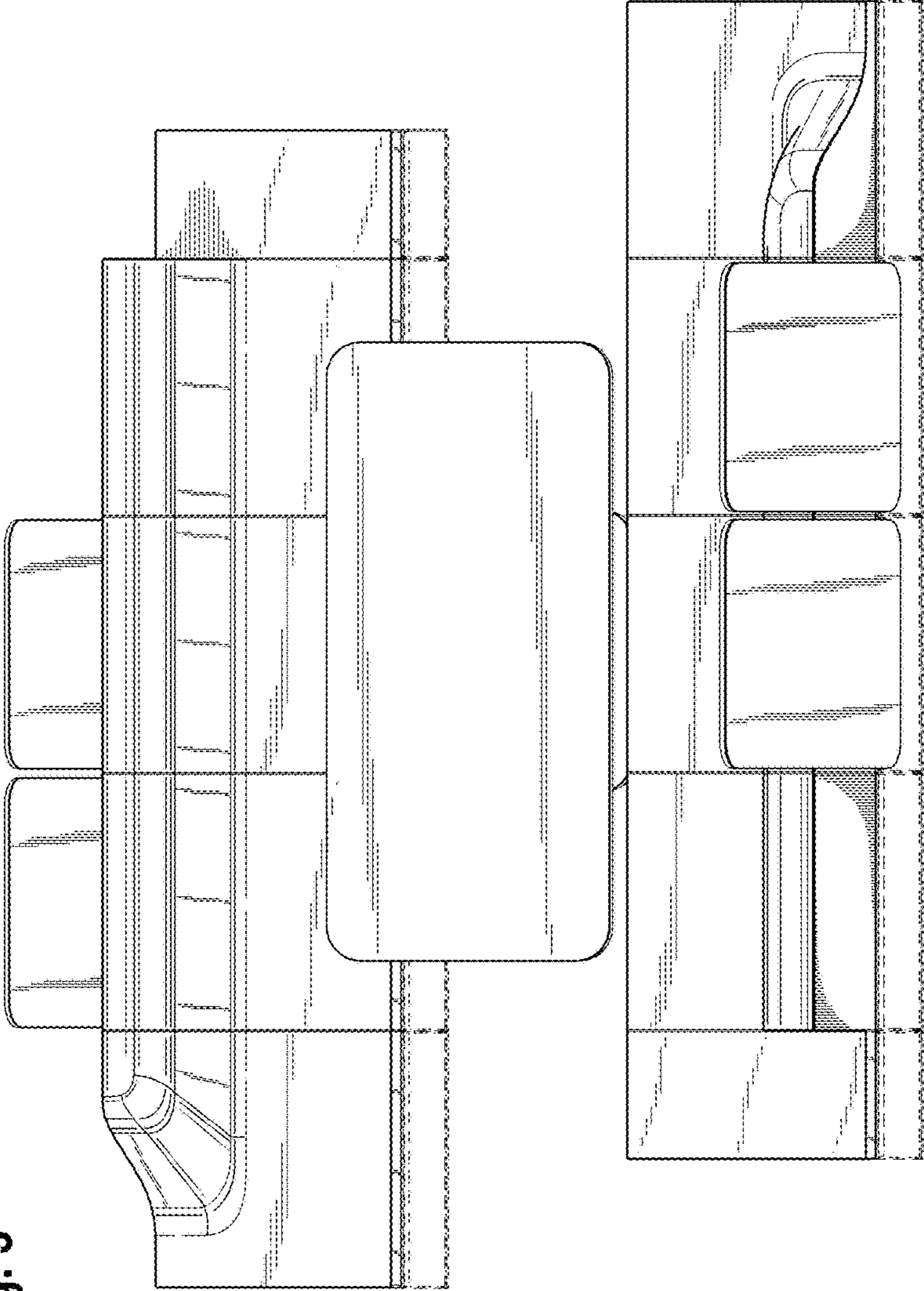


Fig. 3

Fig. 4

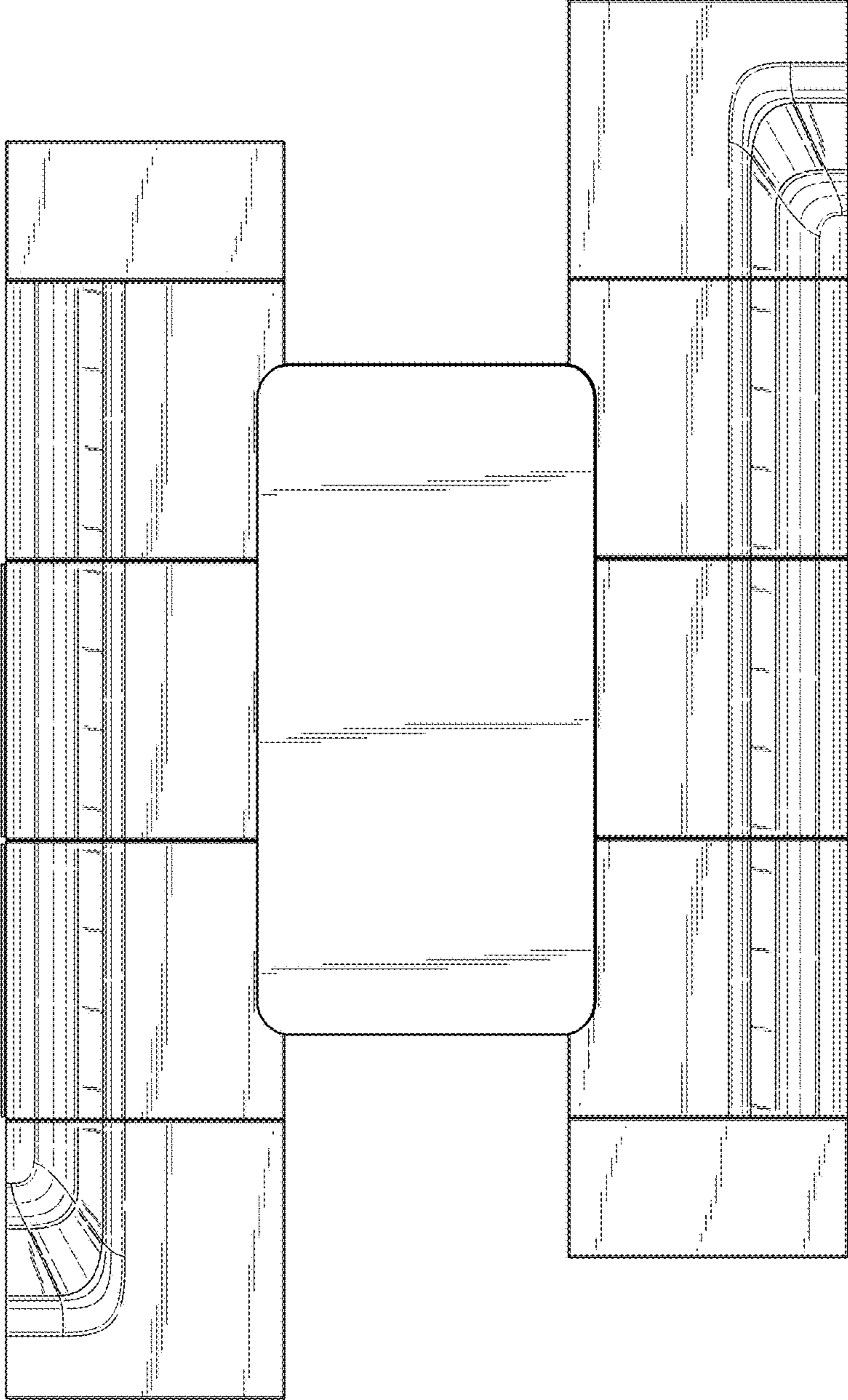


Fig. 5

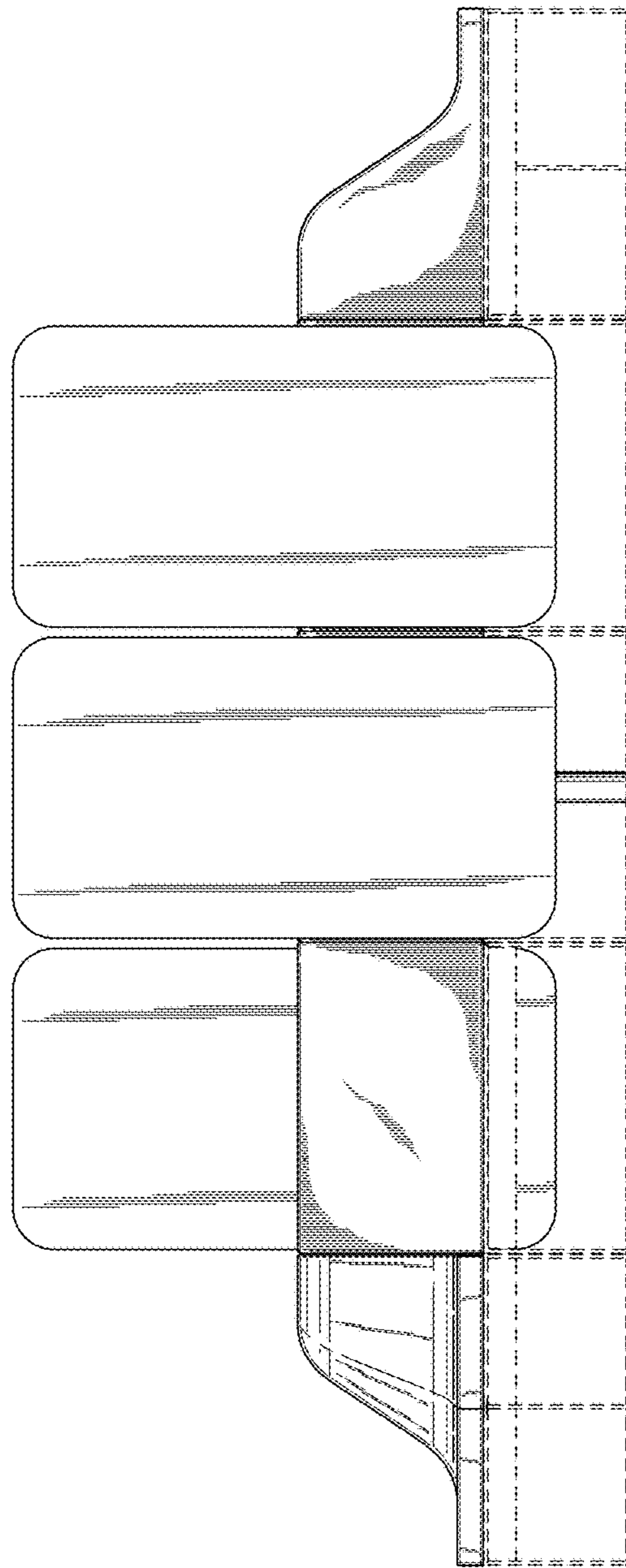


Fig. 6

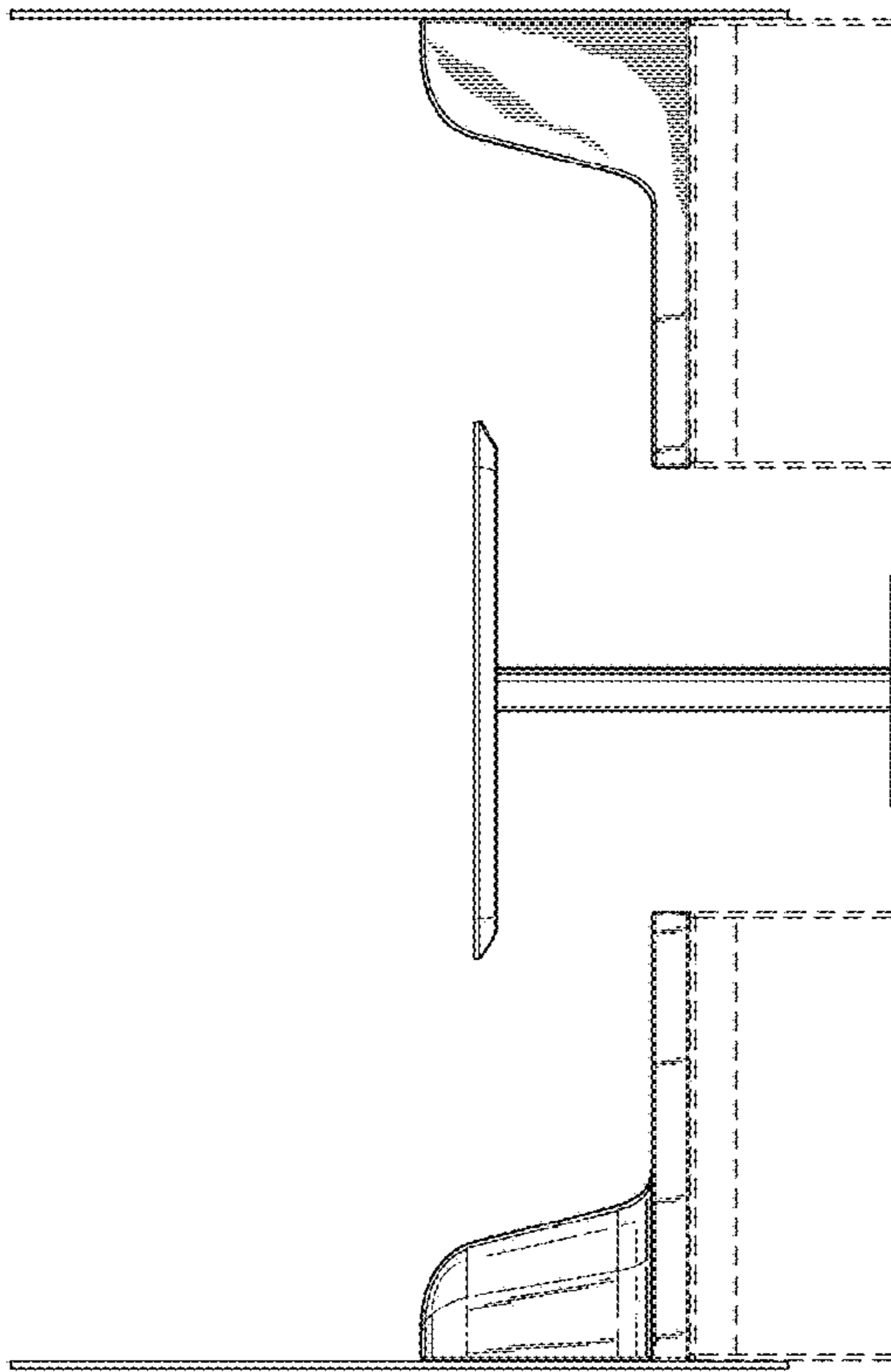


Fig. 7

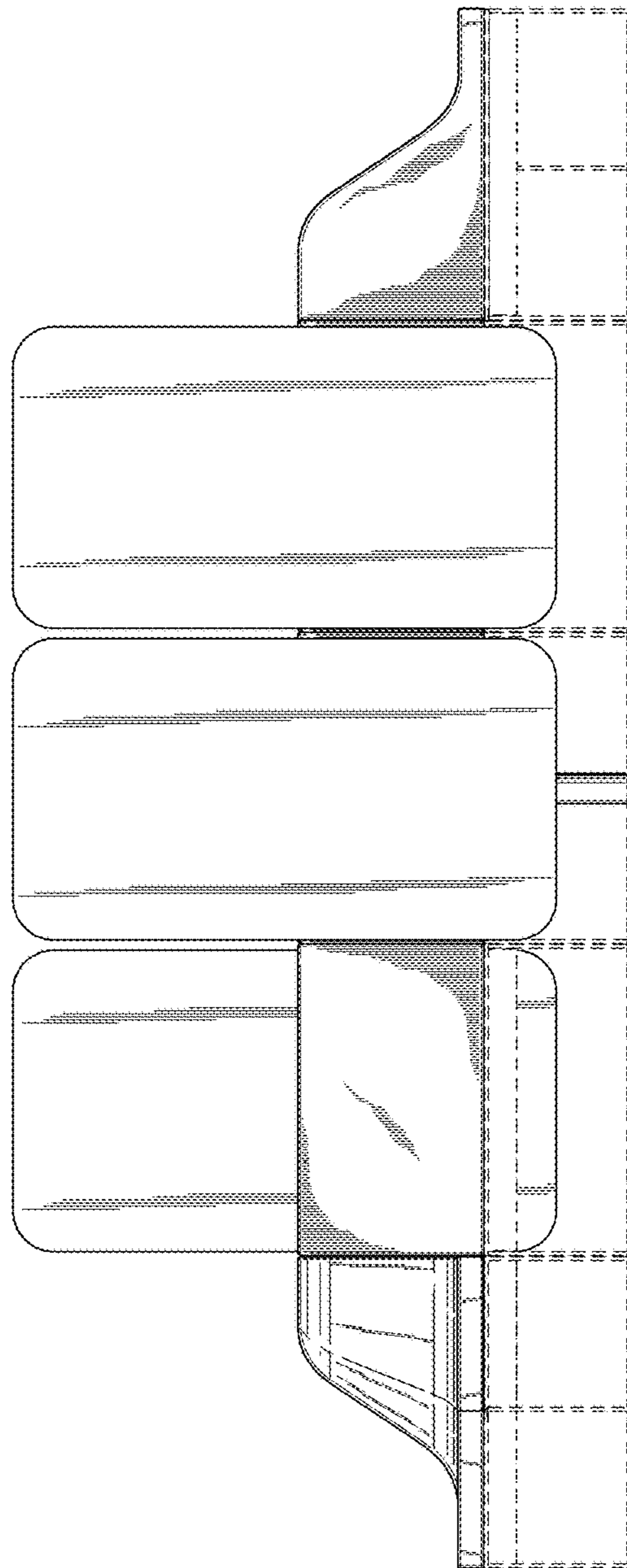


Fig. 8

