



US00D854838S

(12) **United States Design Patent**
Jeon et al.

(10) **Patent No.:** **US D854,838 S**

(45) **Date of Patent:** **** Jul. 30, 2019**

(54) **MIRROR WITH BASE**

(71) Applicant: **Coway Co., Ltd.**, Gongju-si (KR)

(72) Inventors: **Jung Jae Jeon**, Seoul (KR); **Nari Lee**, Seoul (KR)

(73) Assignee: **Coway Co., Ltd.**, Gongju-si, Choongcheongnam-do (KR)

(**) Term: **15 Years**

(21) Appl. No.: **29/623,838**

(22) Filed: **Oct. 27, 2017**

(30) **Foreign Application Priority Data**

Apr. 27, 2017 (KR) 30-2017-0019849

(51) **LOC (11) Cl.** **06-07**

(52) **U.S. Cl.**
USPC **D6/309**

(58) **Field of Classification Search**

USPC D6/300-314
CPC ... A47G 1/00; A47G 1/02; A47G 1/06; A47G 1/0616; A47G 1/14; A47G 1/141; A45D 42/00; A45D 42/08; A45D 42/14; A45D 42/16; A45D 42/10

See application file for complete search history.

(56) **References Cited**

U.S. PATENT DOCUMENTS

D425,313 S * 5/2000 Zadro D6/309
D512,841 S * 12/2005 Dirks D6/300
D532,981 S * 12/2006 Zadro D6/310

D701,050 S * 3/2014 Yang D6/309
D801,060 S * 10/2017 Hollinger D6/309
D825,940 S * 8/2018 Liu D6/309

* cited by examiner

Primary Examiner — Deanna L Pratt

(74) *Attorney, Agent, or Firm* — Pearl Cohen Zedek Latzer Baratz LLP

(57) **CLAIM**

The ornamental design for a mirror with base, as shown and described.

DESCRIPTION

FIG. 1 is a top, front, right side perspective view of the mirror with base;

FIG. 2 is a front elevational view thereof;

FIG. 3 is a back elevational view thereof;

FIG. 4 is a left side elevational view thereof;

FIG. 5 is a right side elevational view thereof;

FIG. 6 is a top plan view thereof;

FIG. 7 is a bottom plan view thereof;

FIG. 8 is a top, back, left side perspective view thereof, showing the mirror portion rotated 90 degrees backward from its position as shown in FIGS. 1-7;

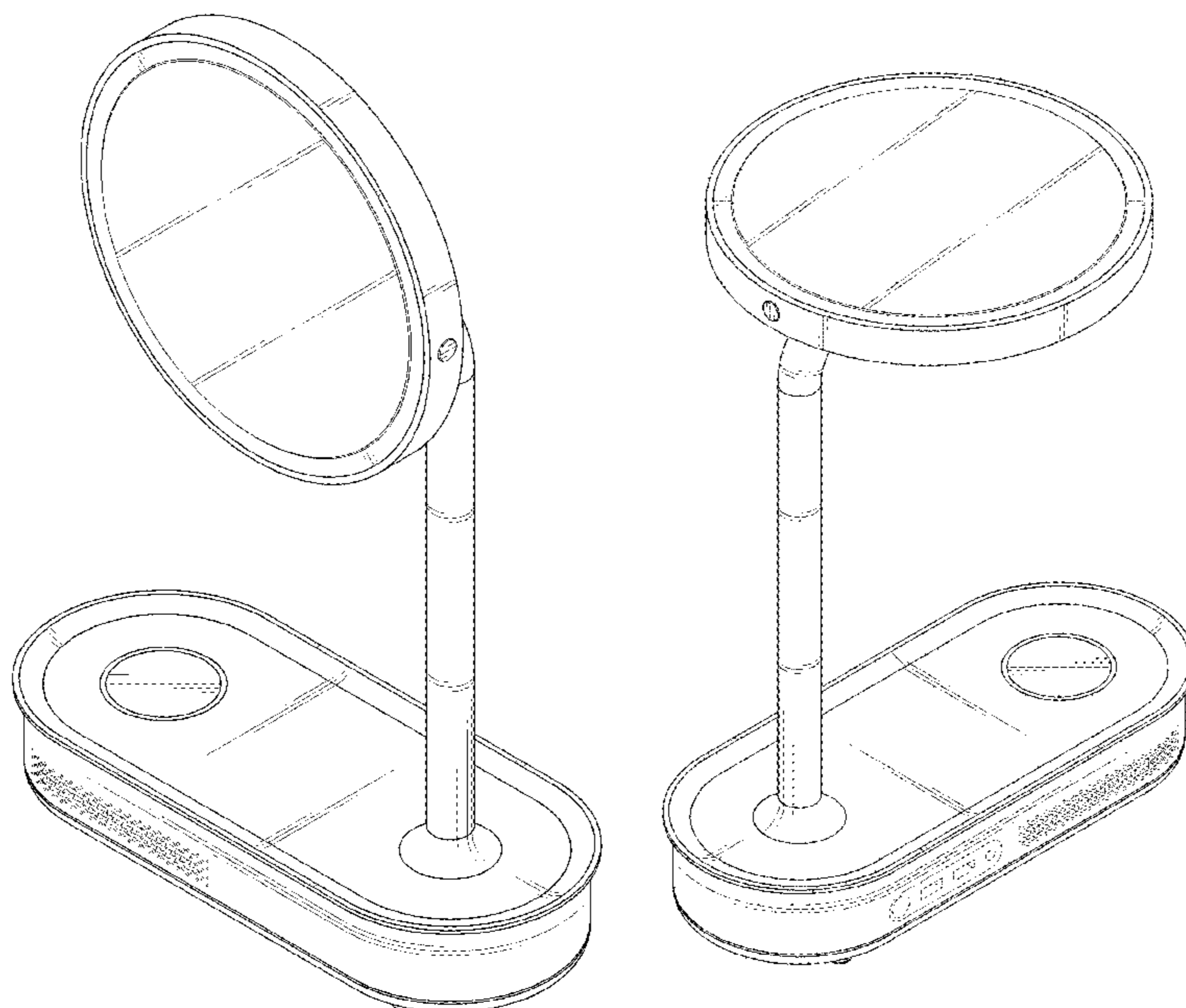
FIG. 9 is a top, back, left side perspective view thereof, showing the mirror portion rotated 90 degrees backward from its position as shown in FIG. 8 and rotated 180 degrees backward from its position as shown in FIGS. 1-7;

FIG. 10 is a top plan view thereof, showing the mirror portion rotated approximately 45 degrees backward from its position as shown in FIG. 6; and,

FIG. 11 is a top plan view thereof, showing the mirror portion rotated approximately 45 degrees forward from its position as shown in FIG. 6.

The broken lines in the figures show portions of the mirror with base that form no part of the claimed design.

1 Claim, 11 Drawing Sheets



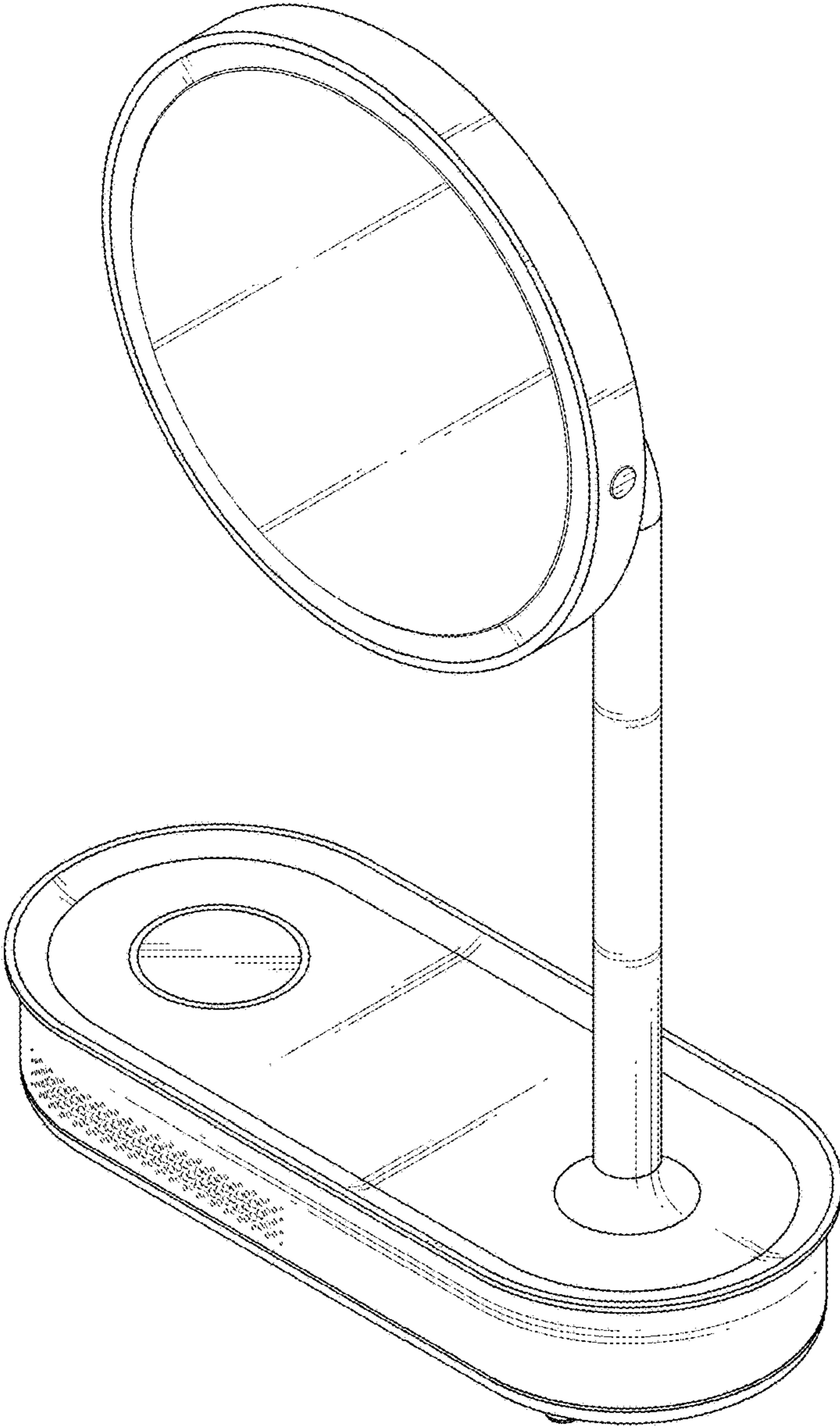


FIG. 1

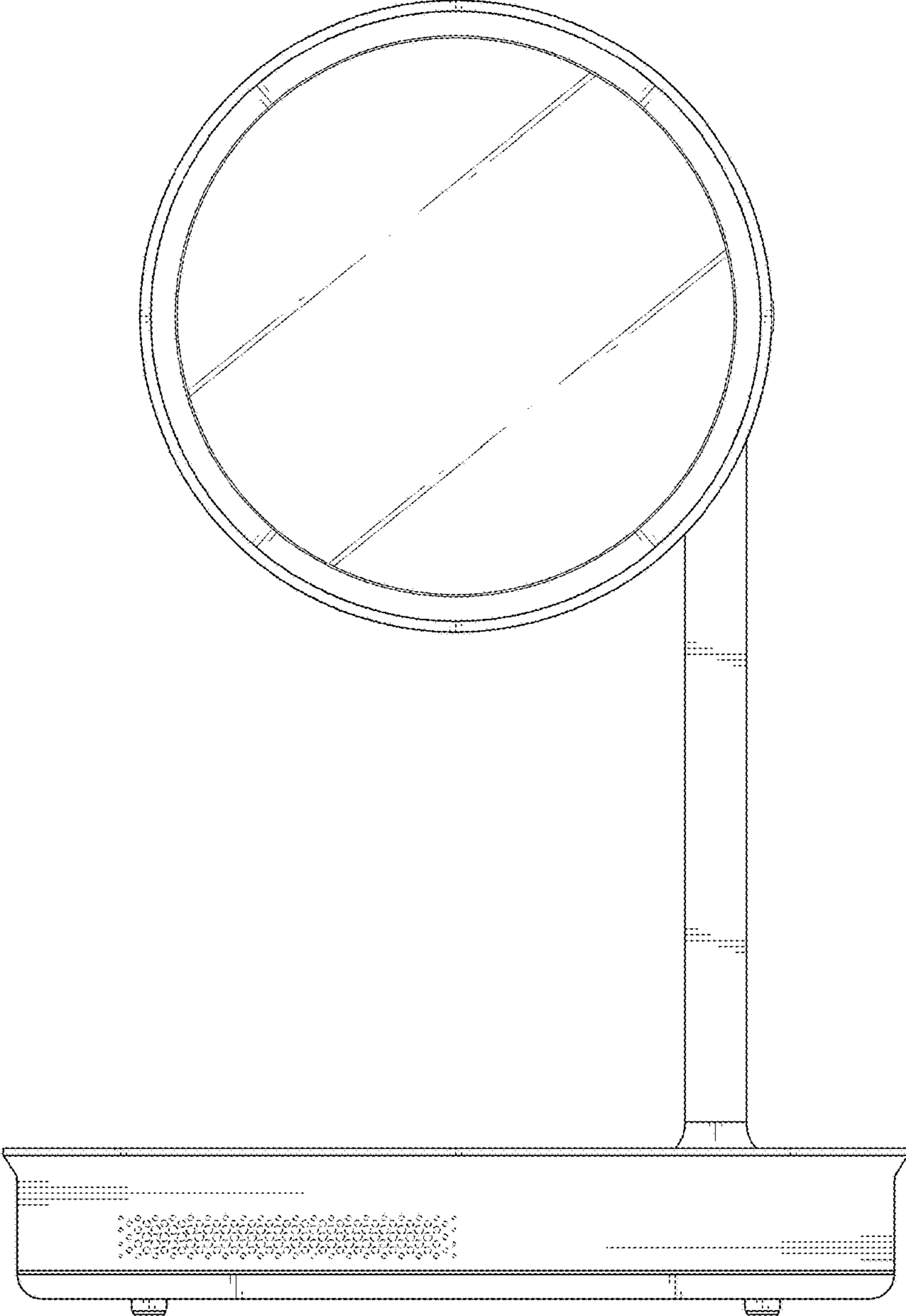


FIG. 2

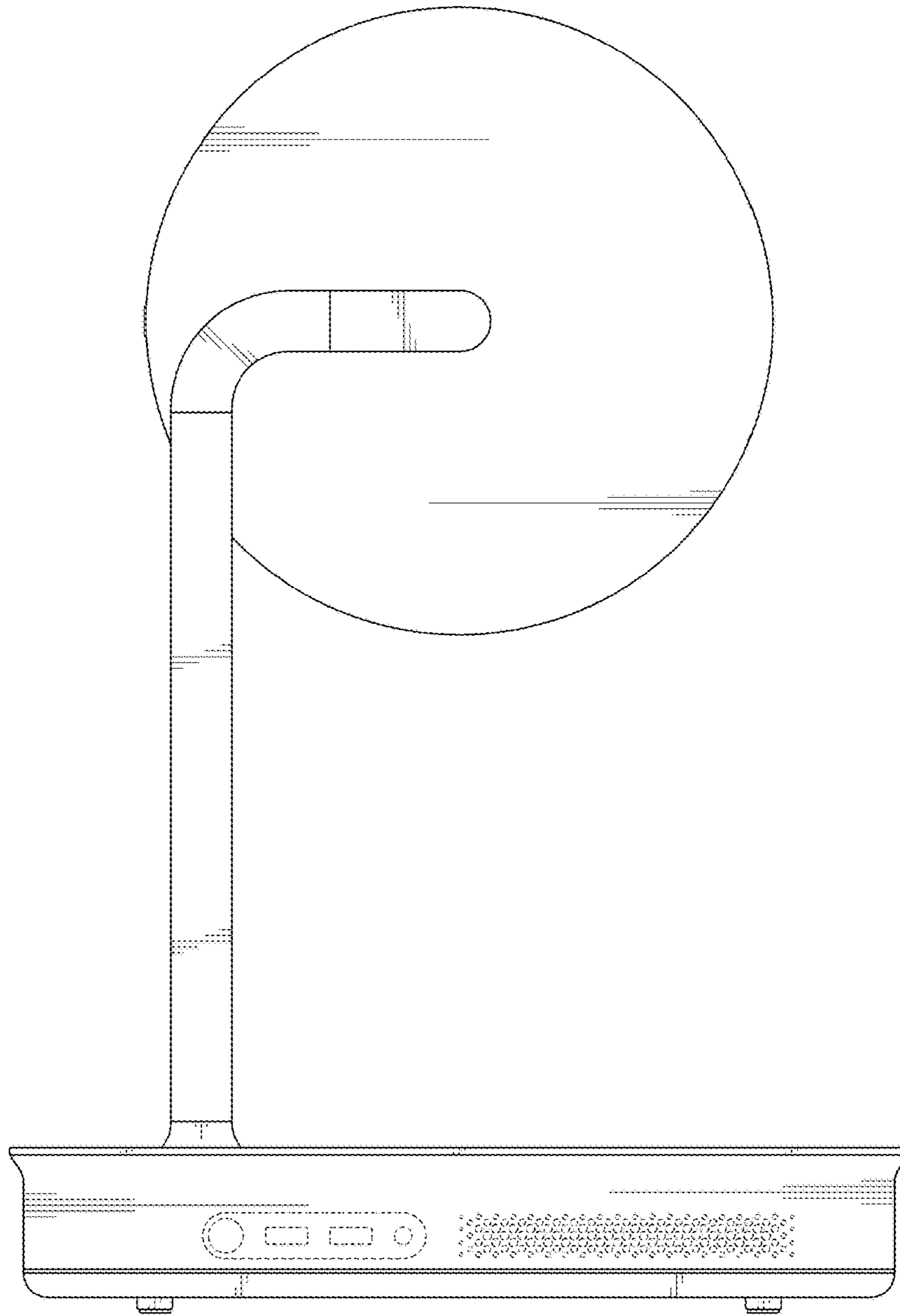


FIG. 3

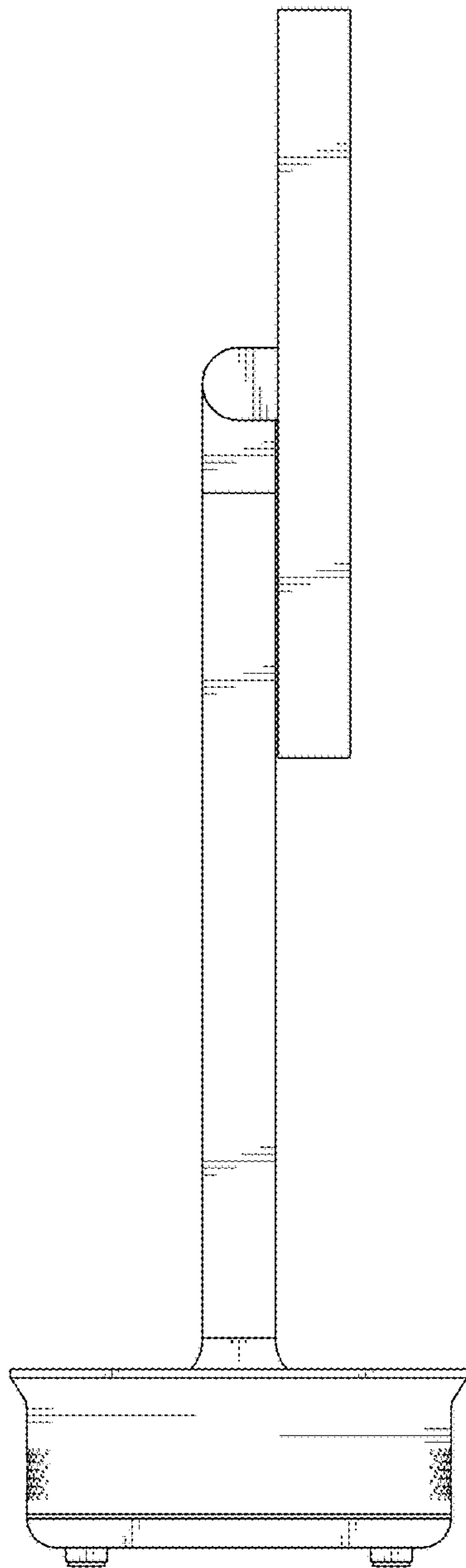


FIG. 4

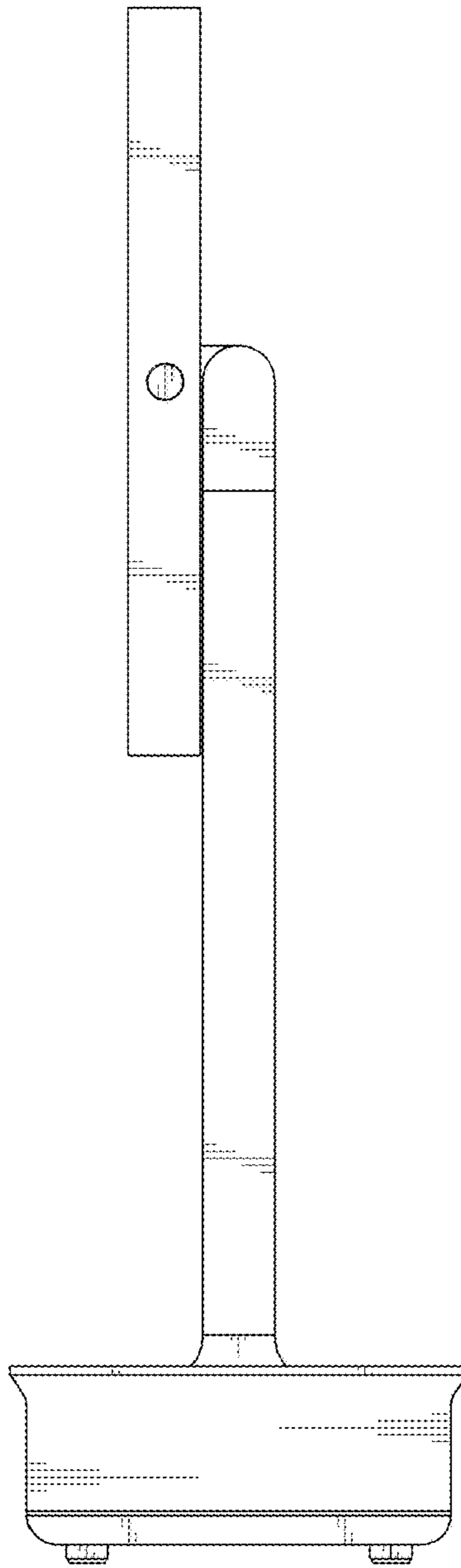


FIG. 5

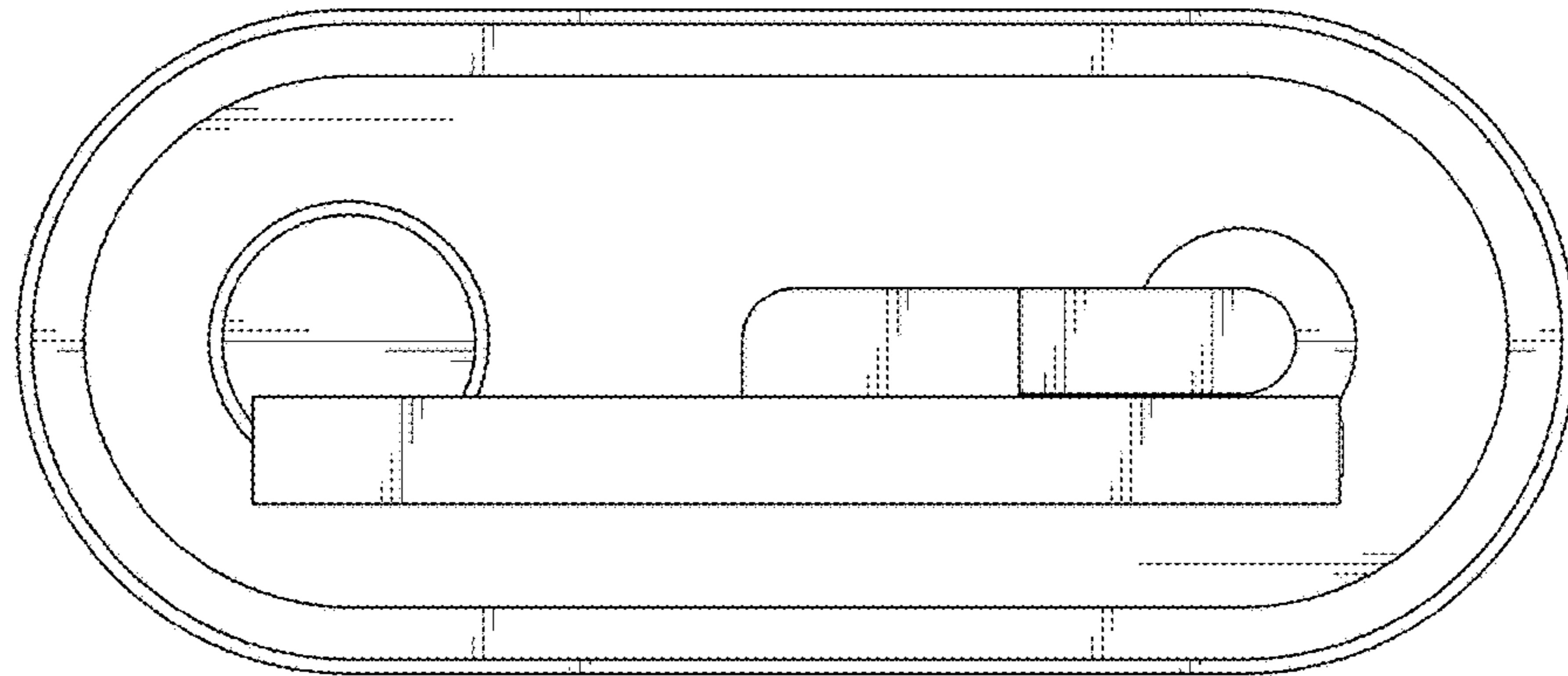


FIG. 6

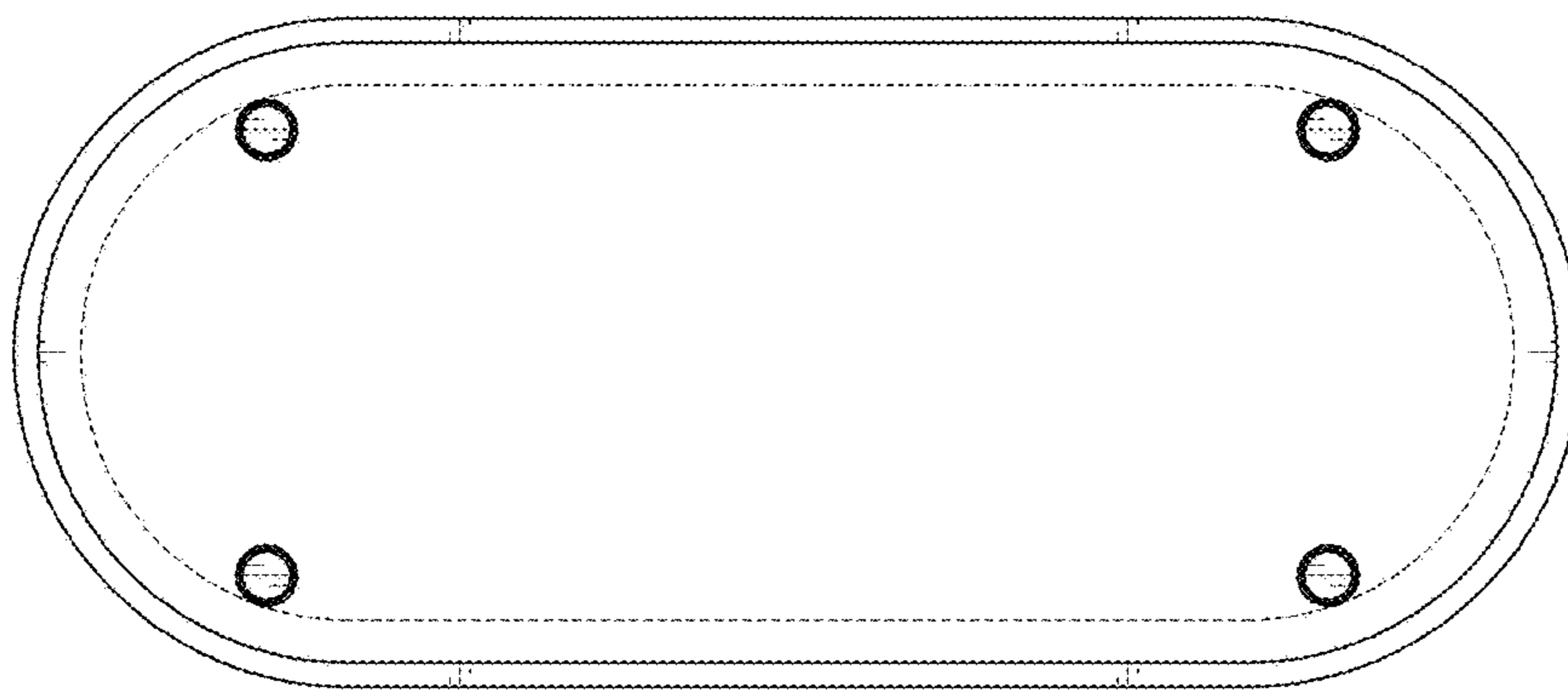


FIG. 7

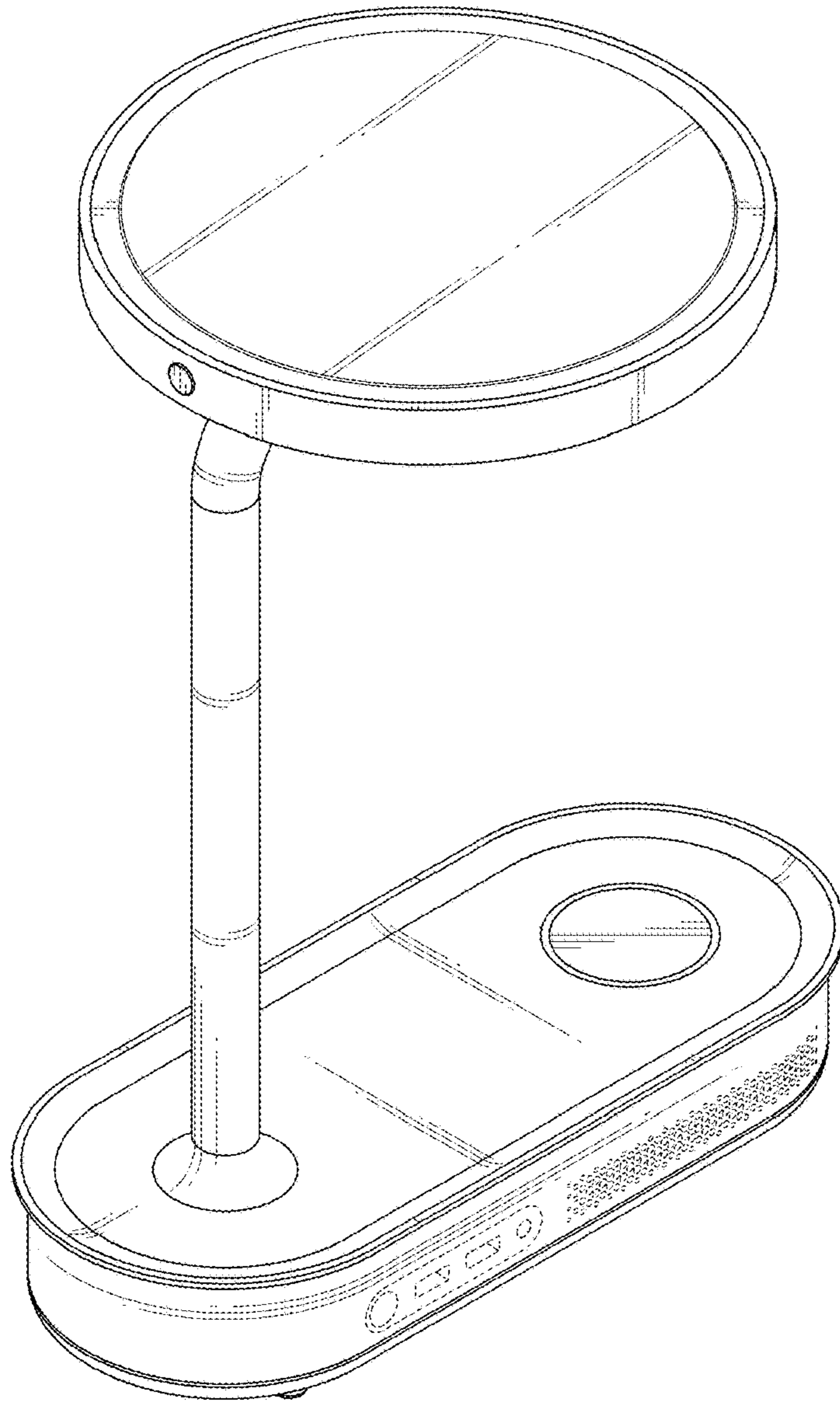


FIG. 8

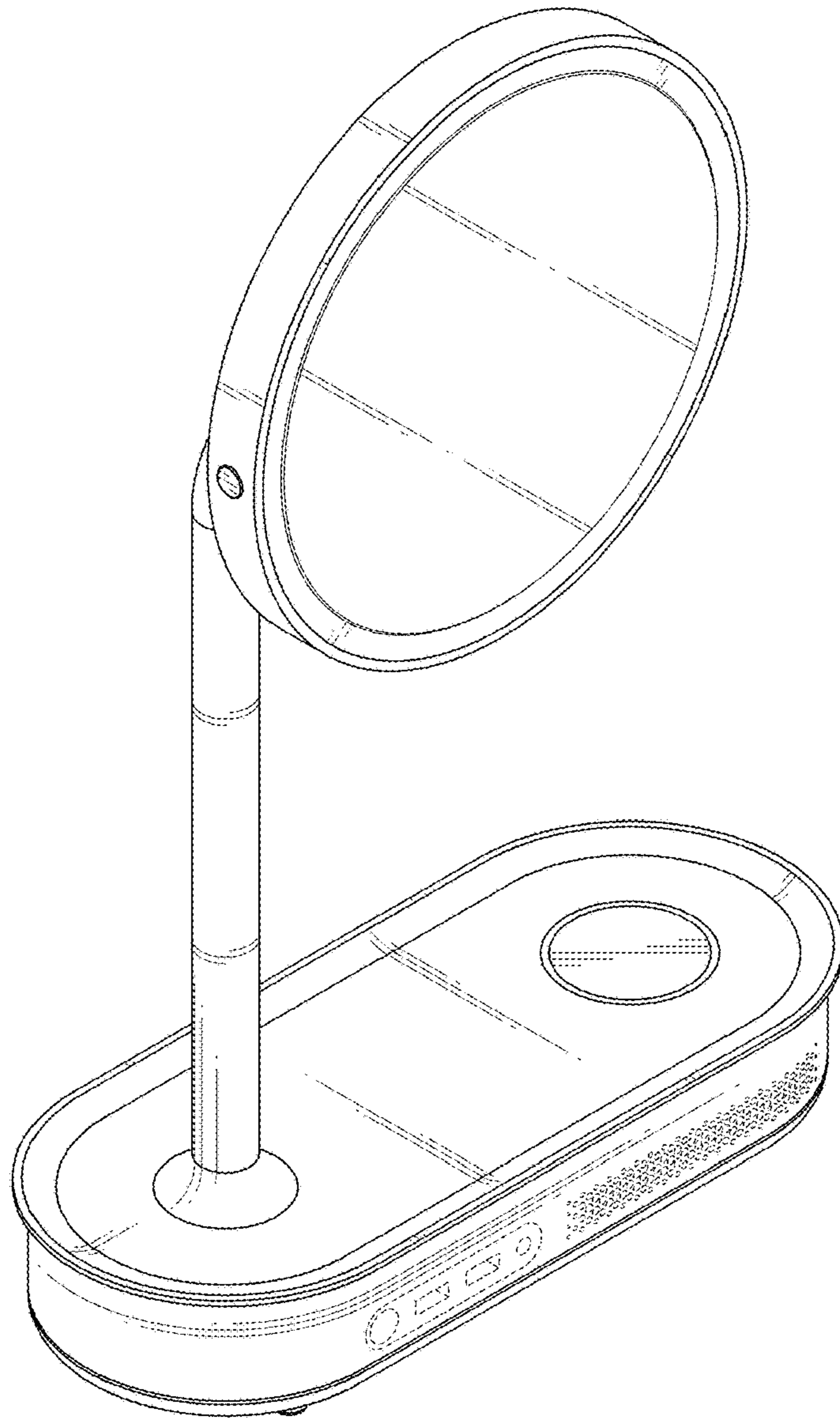


FIG. 9

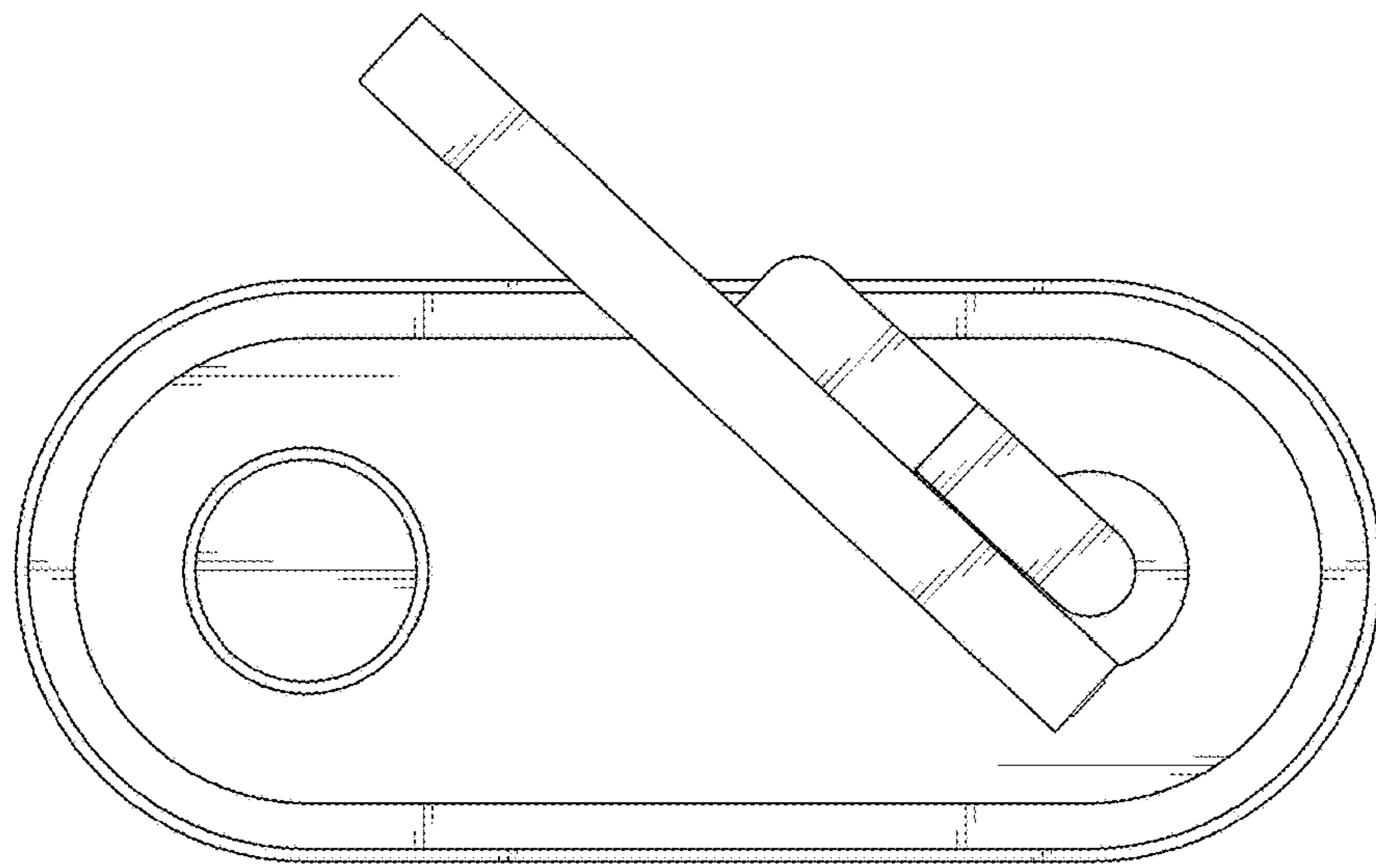


FIG. 10

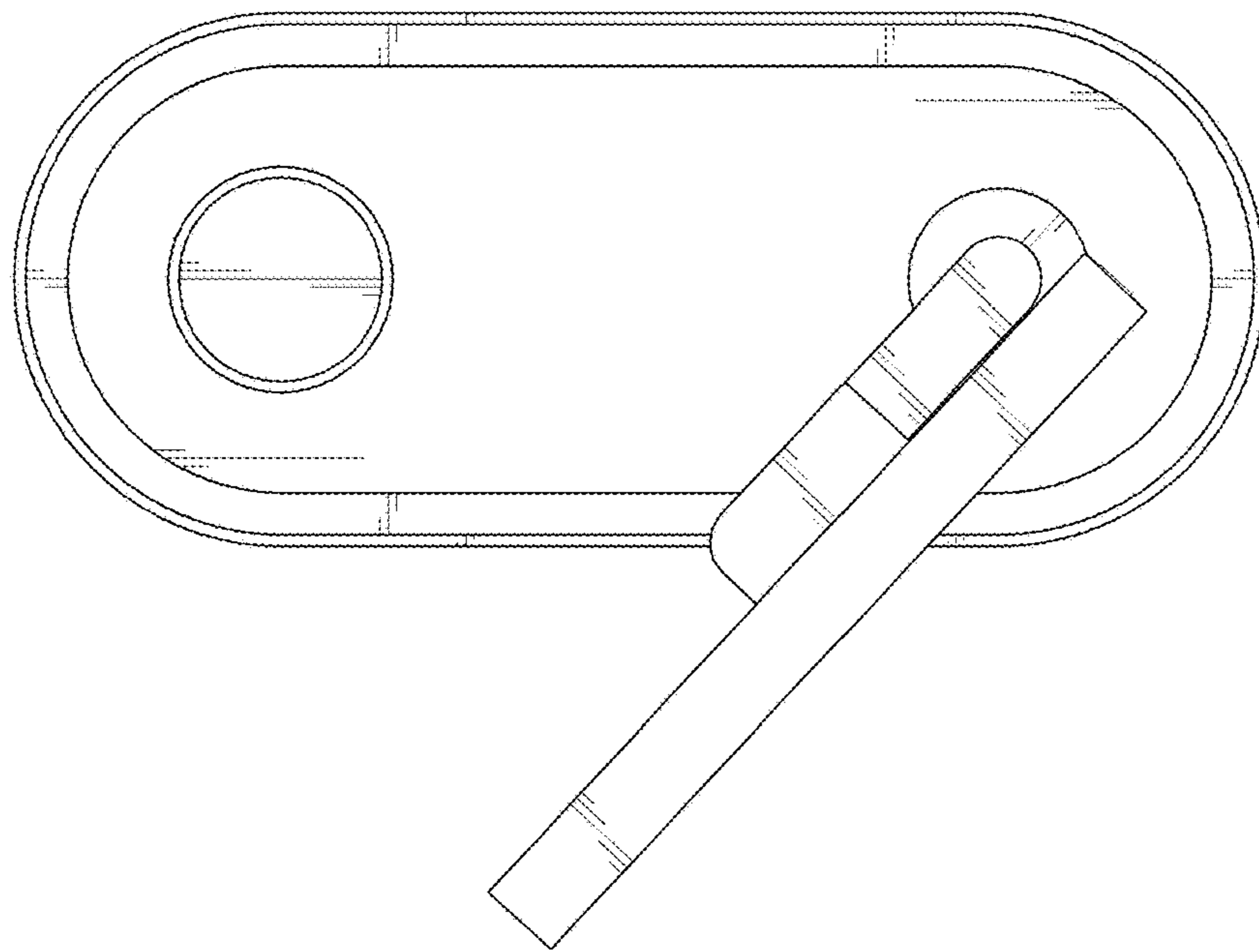


FIG. 11