



US00D854836S

(12) **United States Design Patent**
Harrell et al.

(10) **Patent No.:** **US D854,836 S**
(45) **Date of Patent:** **** Jul. 30, 2019**

(54) **MULTI-FUNCTIONAL PAINT TOOL**

(71) Applicant: **1310 Ventures LLC**, College Station, TX (US)

(72) Inventors: **Landon Harrell**, College Station, TX (US); **John Warren**, College Station, TX (US); **Cosmin Orha**, Milan (IT)

(73) Assignee: **1310 Ventures, LLC**, College Station, TX (US)

(**) Term: **15 Years**

(21) Appl. No.: **29/670,112**

(22) Filed: **Nov. 13, 2018**

(51) **LOC (11) Cl.** **04-01**

(52) **U.S. Cl.**
USPC **D4/116; D4/118; D8/40; D8/105**

(58) **Field of Classification Search**
USPC **D4/116, 118, 130, 132, 138; D8/33, 34, D8/38, 40, 77, 79-81, 105, 107, 307**
(Continued)

(56) **References Cited**

U.S. PATENT DOCUMENTS

D117,933 S * 12/1939 Manchester et al. 15/111
D276,304 S * 11/1984 DiFede 81/3.55
(Continued)

OTHER PUBLICATIONS

Wayback Machine Internet Archive, dated May 2, 2017 [online], [site visited Feb. 17, 2019], Available from internet, URL: <https://web.archive.org/web/20170502210451/https://versabrush.com/>, 2p. (Year: 2017).*

(Continued)

Primary Examiner — Keli L Hill

(74) *Attorney, Agent, or Firm* — Texas A&M University School of Law

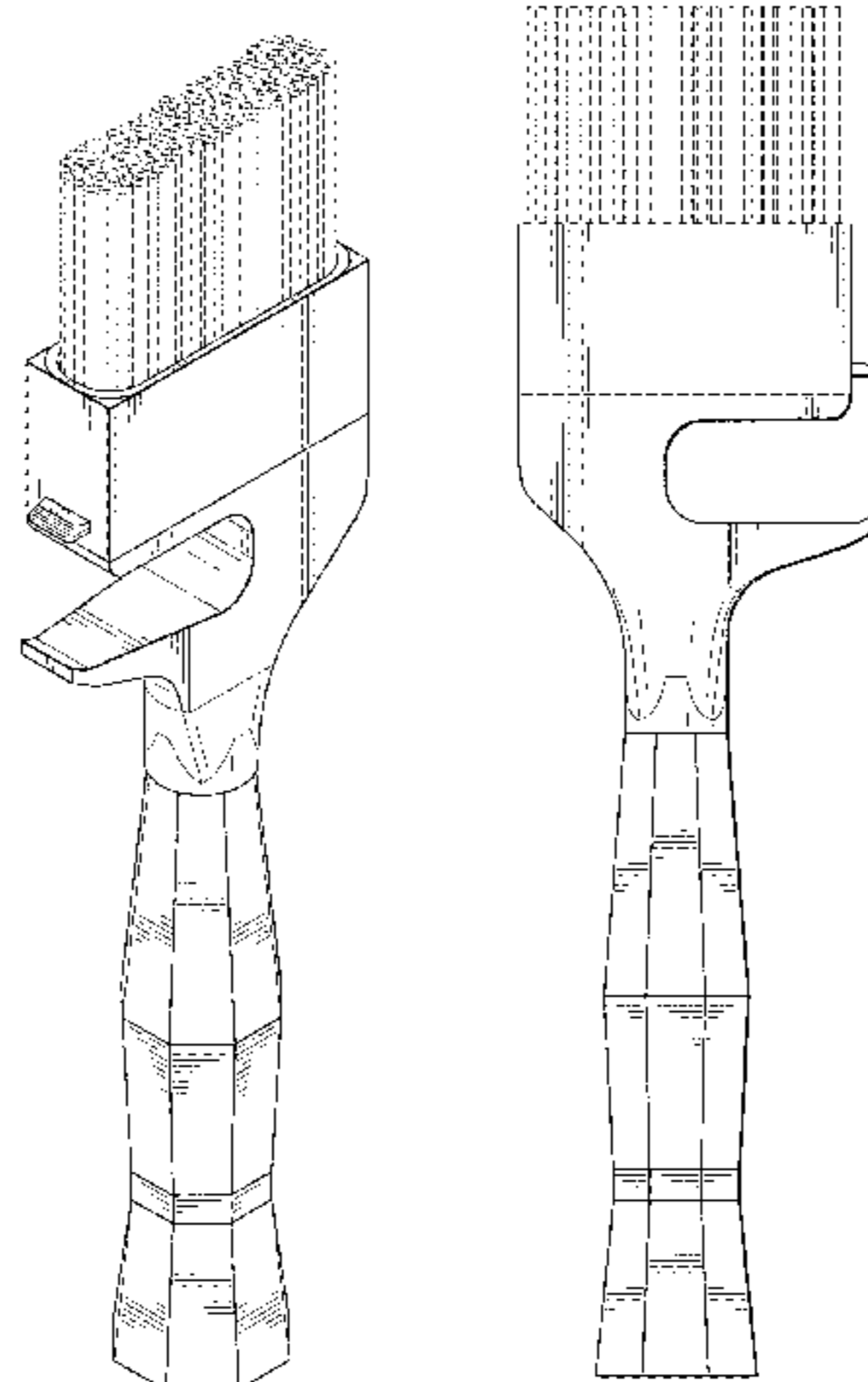
(57) **CLAIM**

The ornamental design for a multi-functional paint tool, as shown and described.

DESCRIPTION

FIG. 1 is a front perspective view of an assembled multi-functional paint tool;
FIG. 2 is a front view of the multi-functional paint tool;
FIG. 3 is a rear side view of the multi-functional paint tool;
FIG. 4 is a right side view of the multi-functional paint tool;
FIG. 5 is a left side view of multi-functional paint tool;
FIG. 6 is a top view of the multi-functional paint tool;
FIG. 7 is bottom view of the multi-functional paint tool;
FIG. 8 is a front perspective view of a head of the multi-functional paint tool;
FIG. 9 is a front elevation view of the head of the multi-functional paint tool;
FIG. 10 is a rear elevation view of the head of the multi-functional paint tool;
FIG. 11 is a right side of the head of the multi-functional paint tool;
FIG. 12 is a left side of the head of the multi-functional paint tool;
FIG. 13 is a top plan view of the head of the multi-functional paint tool;
FIG. 14 is a bottom plan view of the head of the multi-functional paint tool;
FIG. 15 is a front perspective view of a base of the multi-functional paint tool;
FIG. 16 is a front elevation view of the base of the multi-functional paint tool;
FIG. 17 is a rear elevation view of the base of the multi-functional paint tool;
FIG. 18 is a right side of the base of the multi-functional paint tool;
FIG. 19 is a left side of the base of the multi-functional paint tool;
FIG. 20 is a top plan view of the base of the multi-functional paint tool; and,
FIG. 21 is a bottom plan view of the base of the multi-functional paint tool.

(Continued)



The broken lines in the drawings represent unclaimed environmental subject matter and form no part of the claim.

1 Claim, 13 Drawing Sheets

(58) Field of Classification Search

CPC F04D 25/088; F04D 29/005; F04D 29/324; F04D 29/601; F21V 13/078; F21V 33/0092; F21V 33/0096; A46B 3/00; A46B 5/0002; A46B 5/0095; A46B 2200/31; A46B 2200/20; A46B 2200/202
See application file for complete search history.

(56) References Cited

U.S. PATENT DOCUMENTS

D285,900	S	*	9/1986	Chan	D8/105
D300,111	S	*	3/1989	Square	D8/75
D304,992	S	*	12/1989	Matthies	D8/40
D308,322	S	*	6/1990	Borden	D8/40
D366,150	S	*	1/1996	Suchomel	D4/116
D395,551	S	*	6/1998	McKittrick	D4/118
6,014,785	A	*	1/2000	Punch	A46B 15/0055 15/111
D423,788	S	*	5/2000	Southwell	D4/118
D448,572	S	*	10/2001	Gravlee	D30/158
D461,960	S	*	8/2002	Bock	D4/118
D474,342	S	*	5/2003	Silvestri	D4/118
D477,523	S	*	7/2003	Malvasio	D8/105
6,640,369	B1	*	11/2003	Malvasio	B44D 3/006 15/105
D501,773	S	*	2/2005	Kohn	D8/18
D538,045	S	*	3/2007	Bock	D4/116
D567,620	S	*	4/2008	Martone	D8/79

D568,615	S	*	5/2008	Lucero	D4/129
8,191,192	B1		6/2012	Barker		
8,250,715	B2		8/2012	Bagley		
8,387,198	B2		3/2013	Rodriguez		
D688,433	S	*	8/2013	Morcott	D32/47
D723,287	S	*	3/2015	Meek	D4/118
9,272,304	B1		3/2016	Emery		
9,351,561	B2		5/2016	McCarthy		
D774,311	S	*	12/2016	Vasquez	D4/116
D788,471	S		6/2017	Dunaway		
9,549,608	B1		7/2017	Emery		
9,861,189	B2		1/2018	Morgan		
9,993,065	B2		6/2018	McCarthy		
10,021,960	B1		7/2018	Douglas		
D832,594	S	*	11/2018	Friend	D4/138
D834,910	S	*	12/2018	Zhang	D8/81
2002/0148058	A1	*	10/2002	Greenwood	A46B 7/04 15/168
2005/0198759	A1	*	9/2005	Segrea	A46B 5/0095 15/176.1
2009/0158541	A1		6/2009	Vaes		
2012/0246855	A1		10/2012	Zeinert		
2012/0324663	A1		12/2012	Fleischer		
2017/0188692	A1		7/2017	Doorey		
2018/0043731	A1		2/2018	Cheng		
2018/0078032	A1		3/2018	Mizrachi		
2018/0116386	A1		5/2018	Levy		

OTHER PUBLICATIONS

Website—<https://www.facebook.com/VersaBrush/> (last visited Nov. 13, 2018).
Website—<https://versabrush.com/> (Aug. 28, 2018).
Website—<https://www.kagstv.com/video/news/features/aggie-students-invent-the-versa-brush/499-2571144> (Apr. 14, 2017).

* cited by examiner

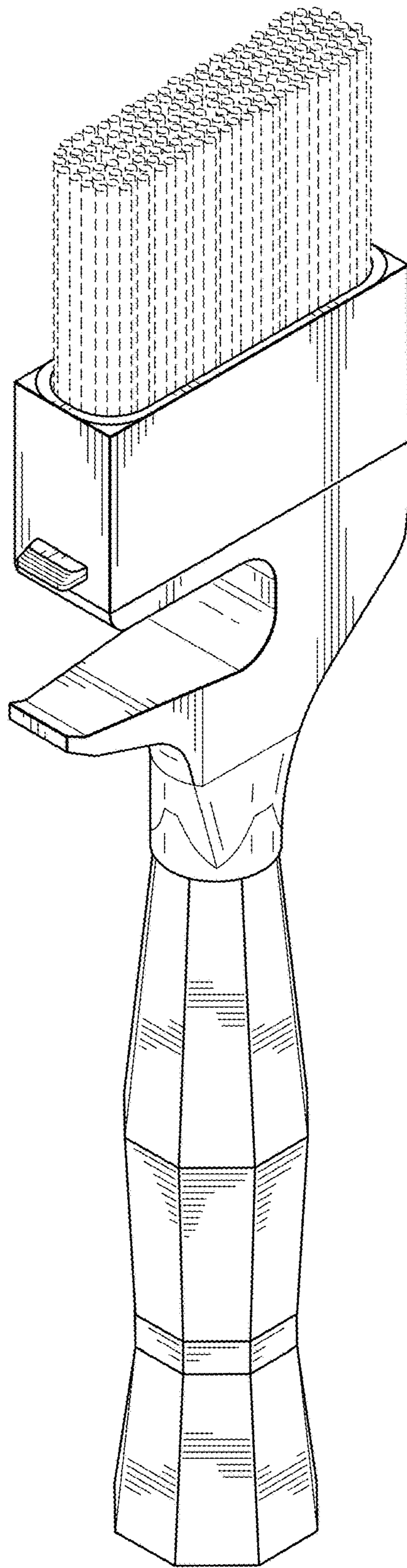


FIG. 1

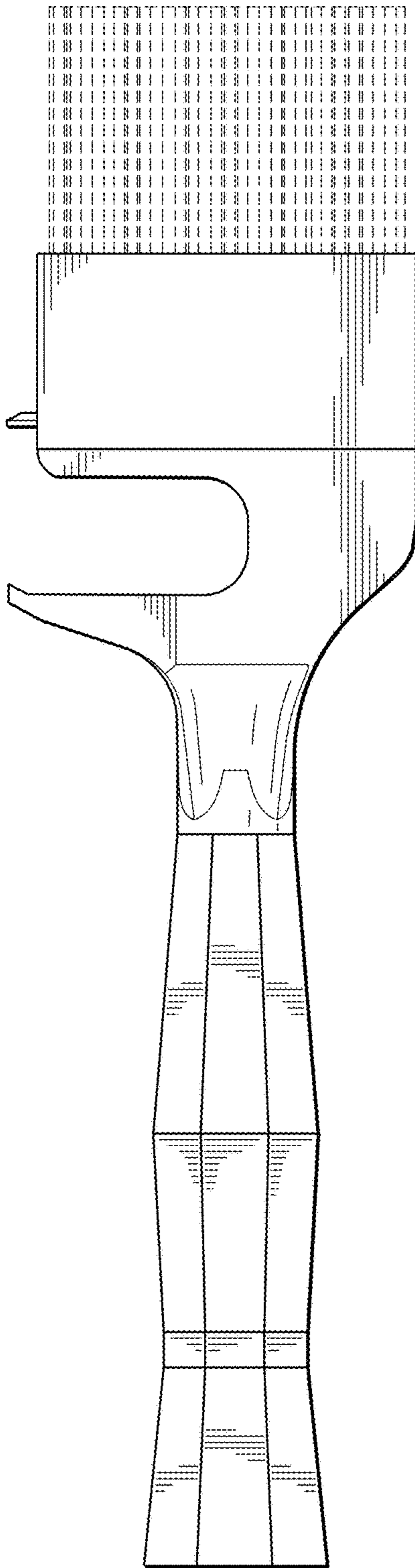


FIG. 2

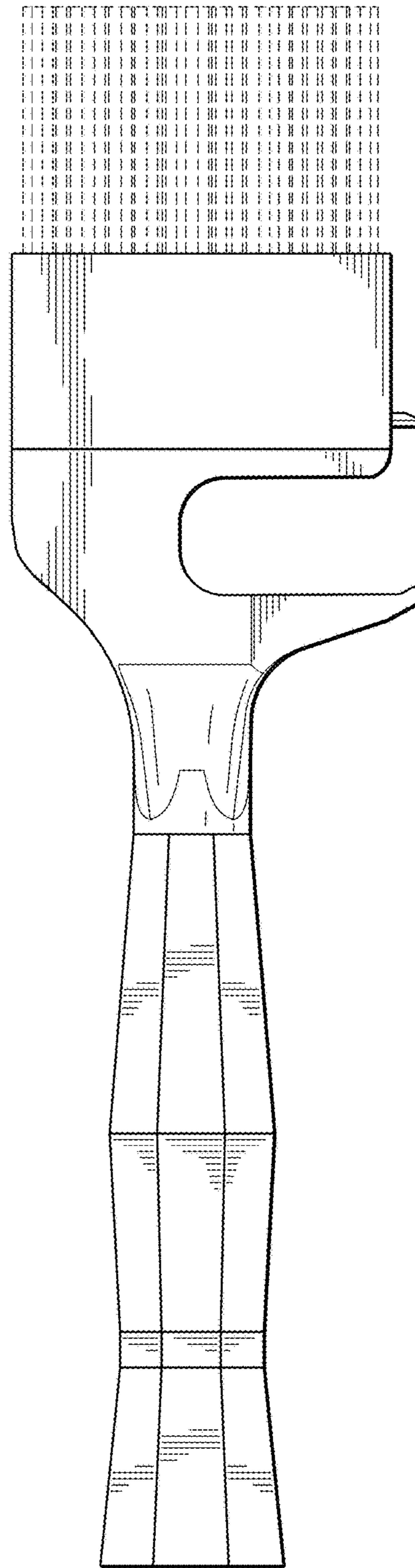


FIG. 3

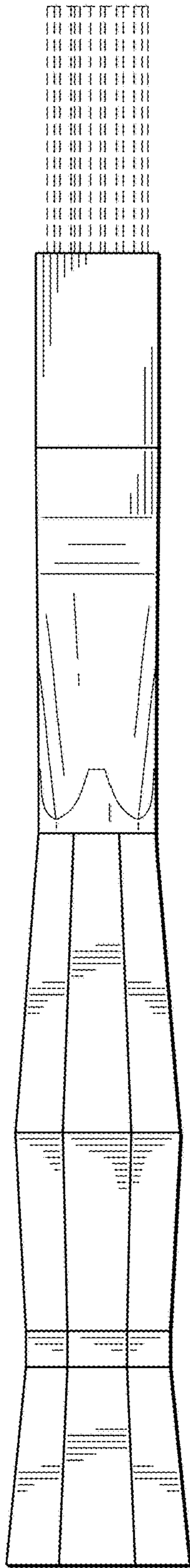


FIG. 4

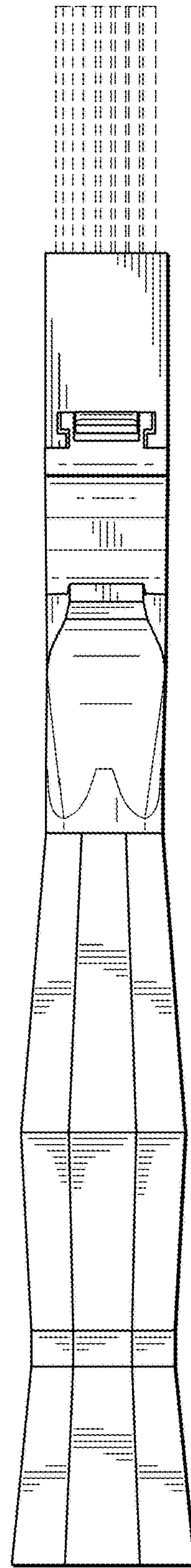


FIG. 5

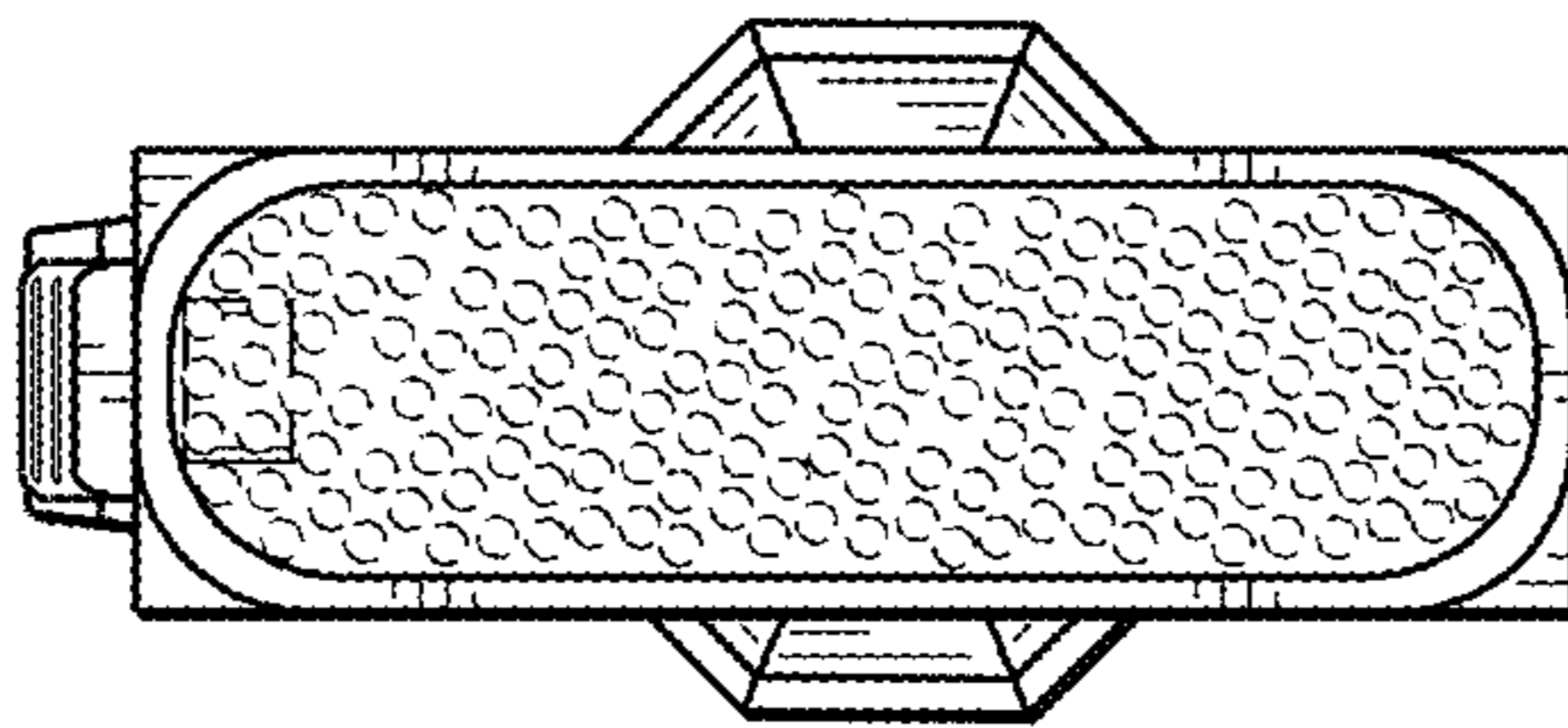


FIG. 6

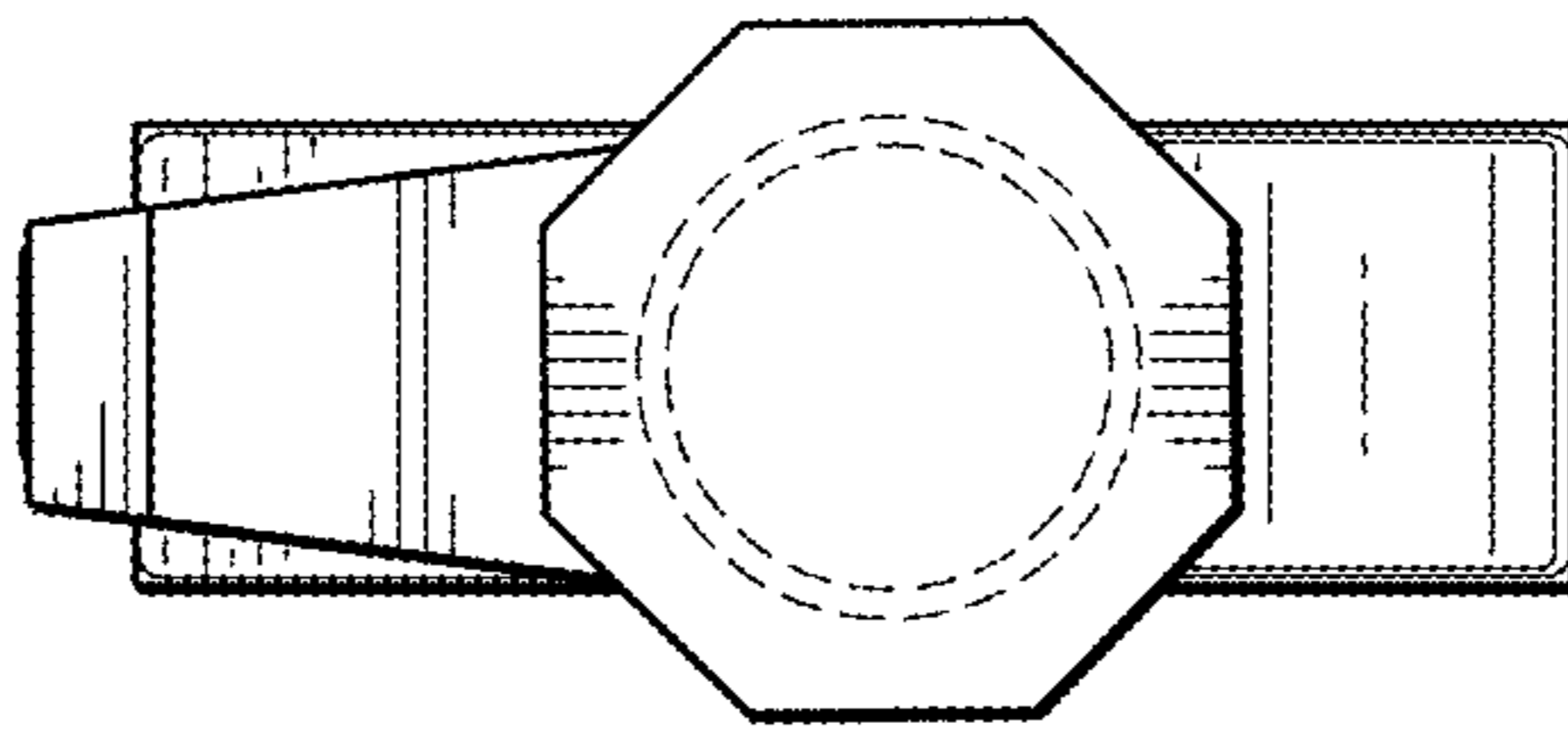


FIG. 7

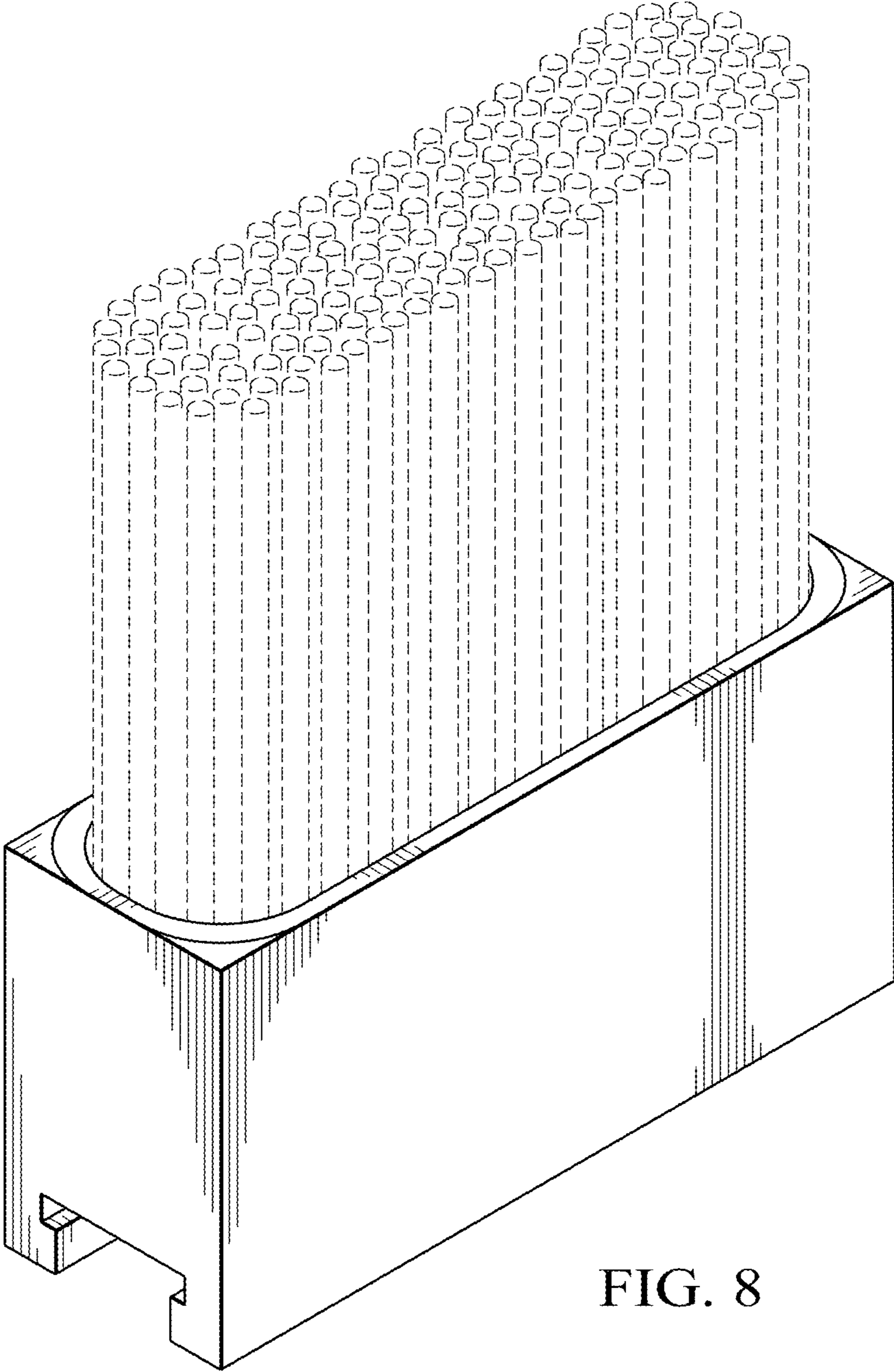


FIG. 8

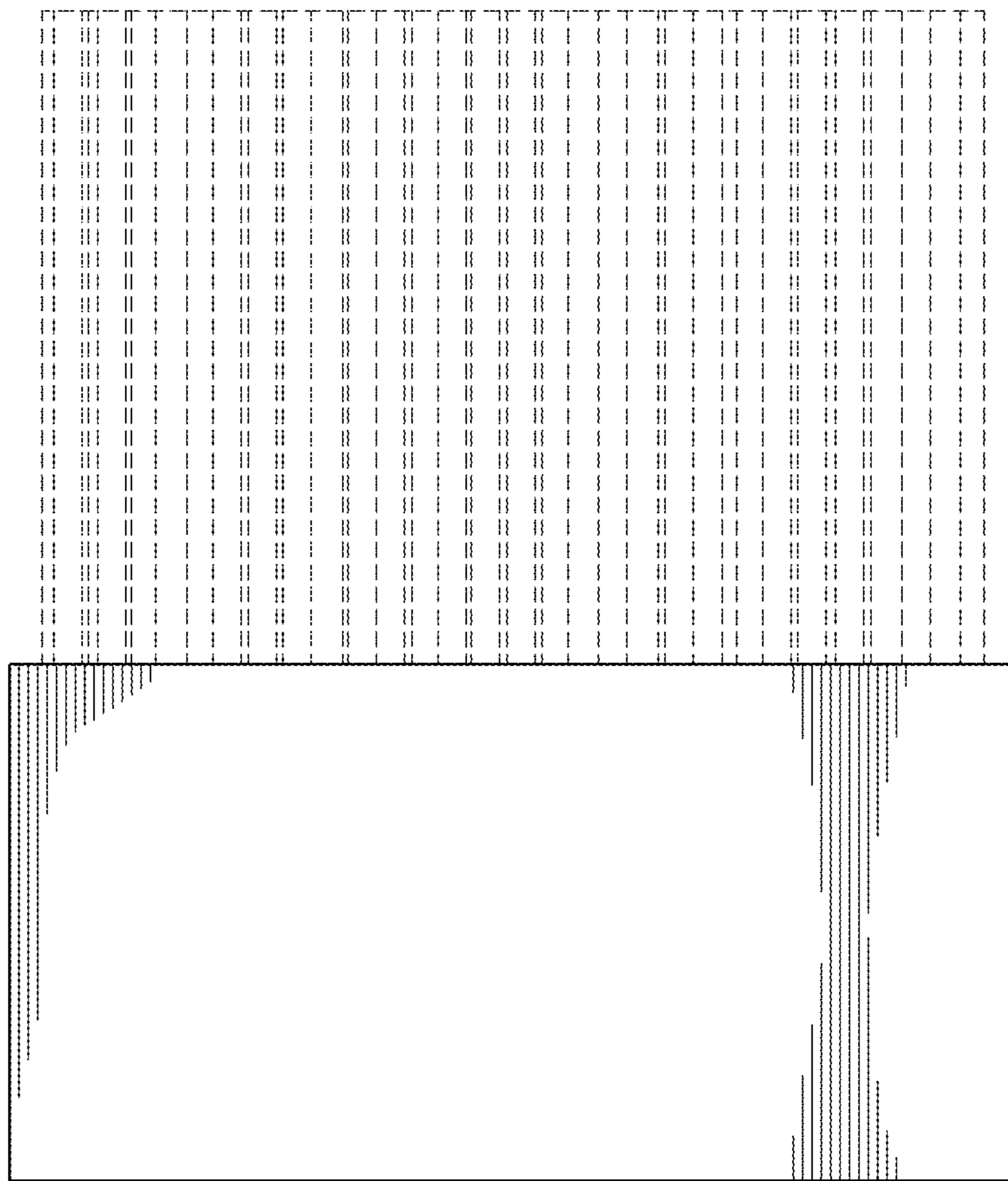


FIG. 9

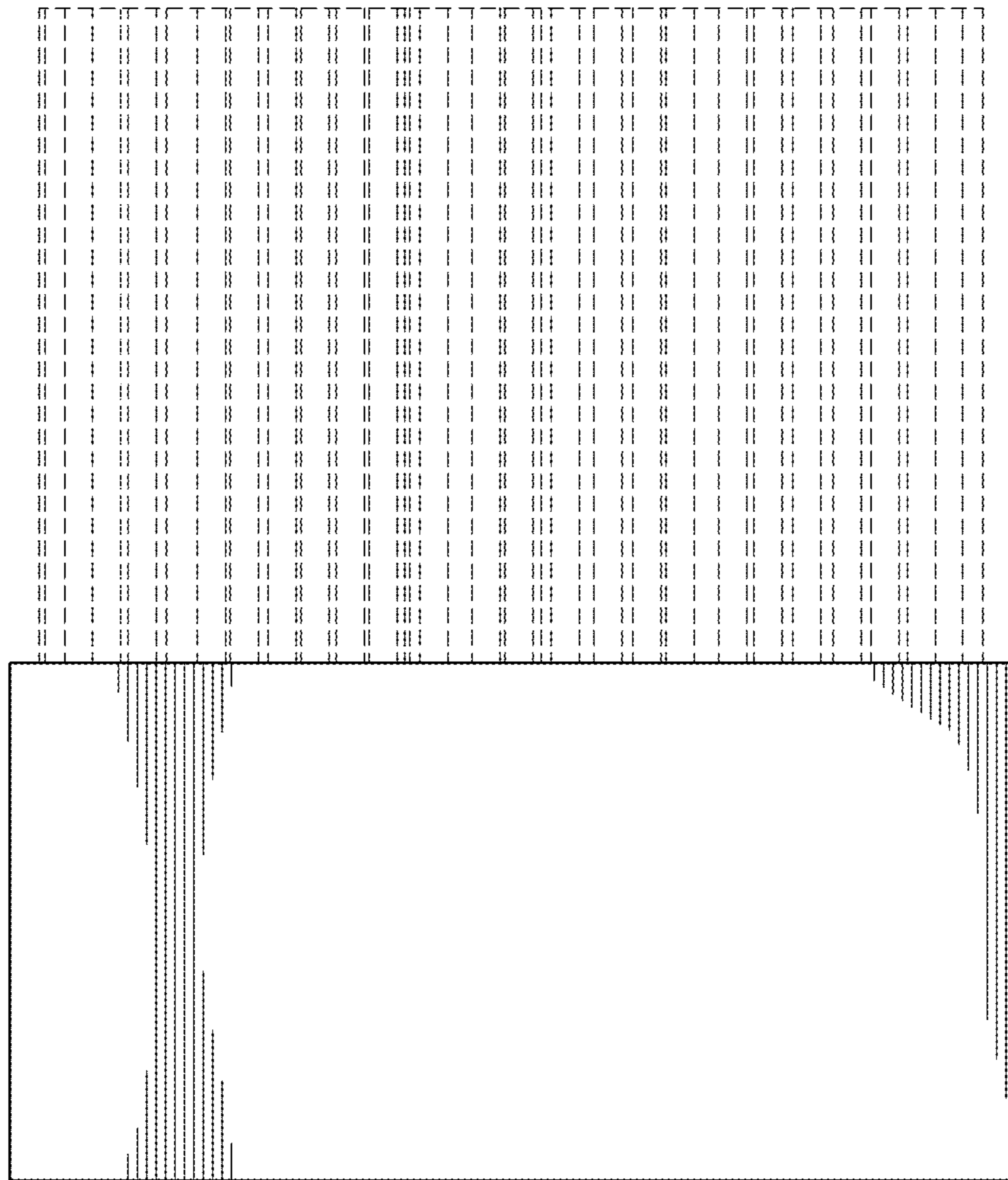


FIG. 10

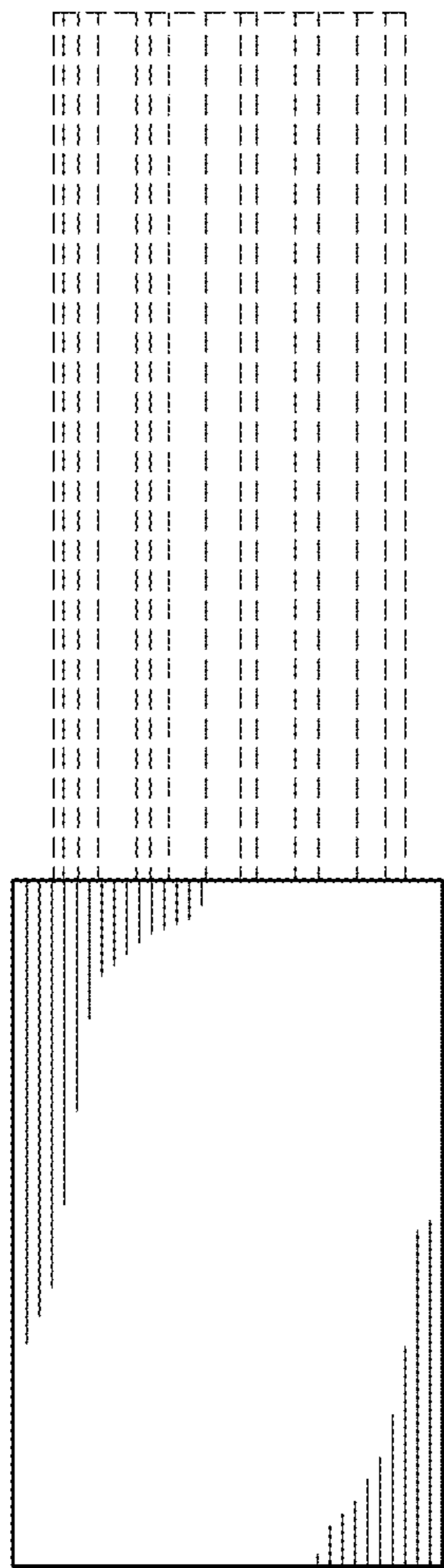


FIG. 11

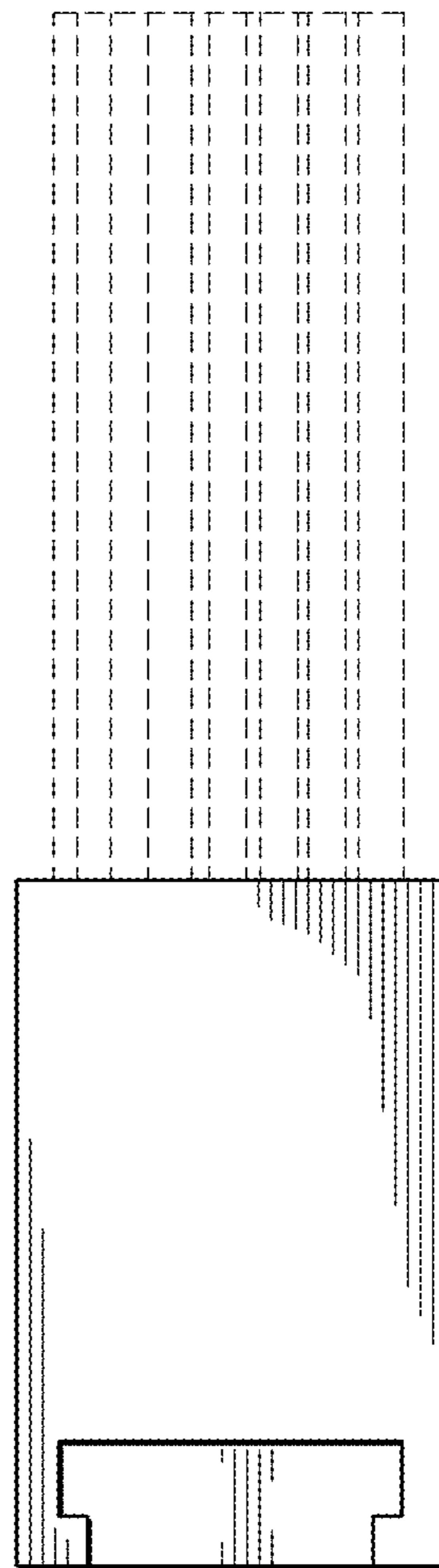


FIG. 12

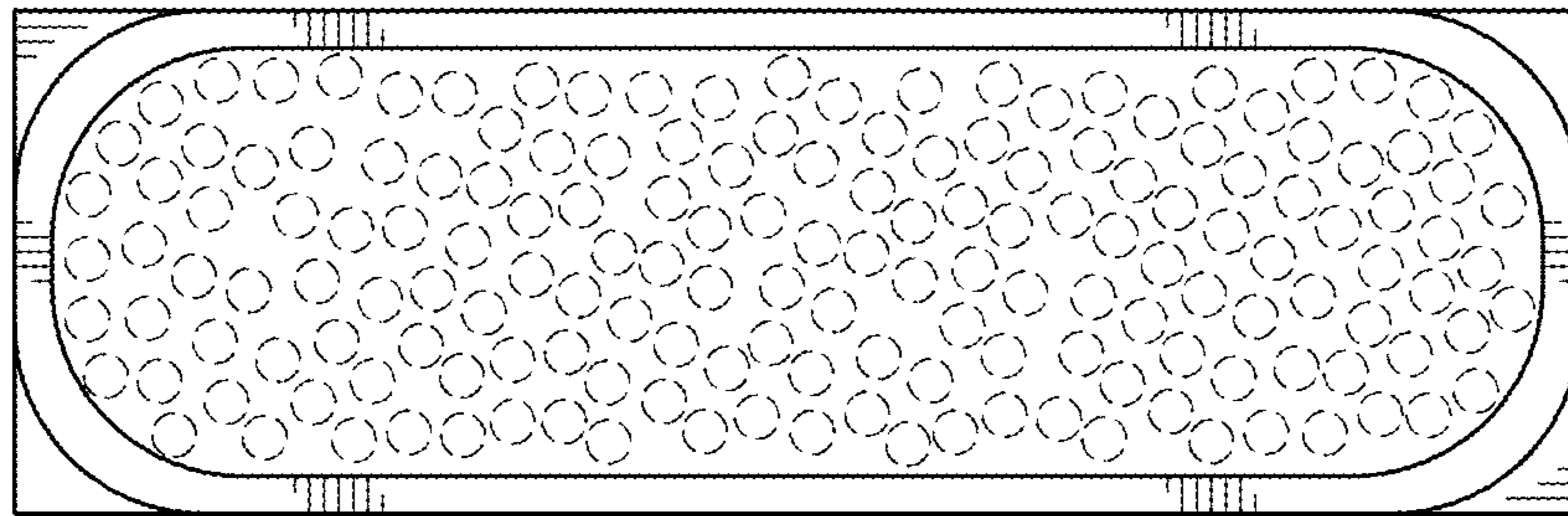


FIG. 13

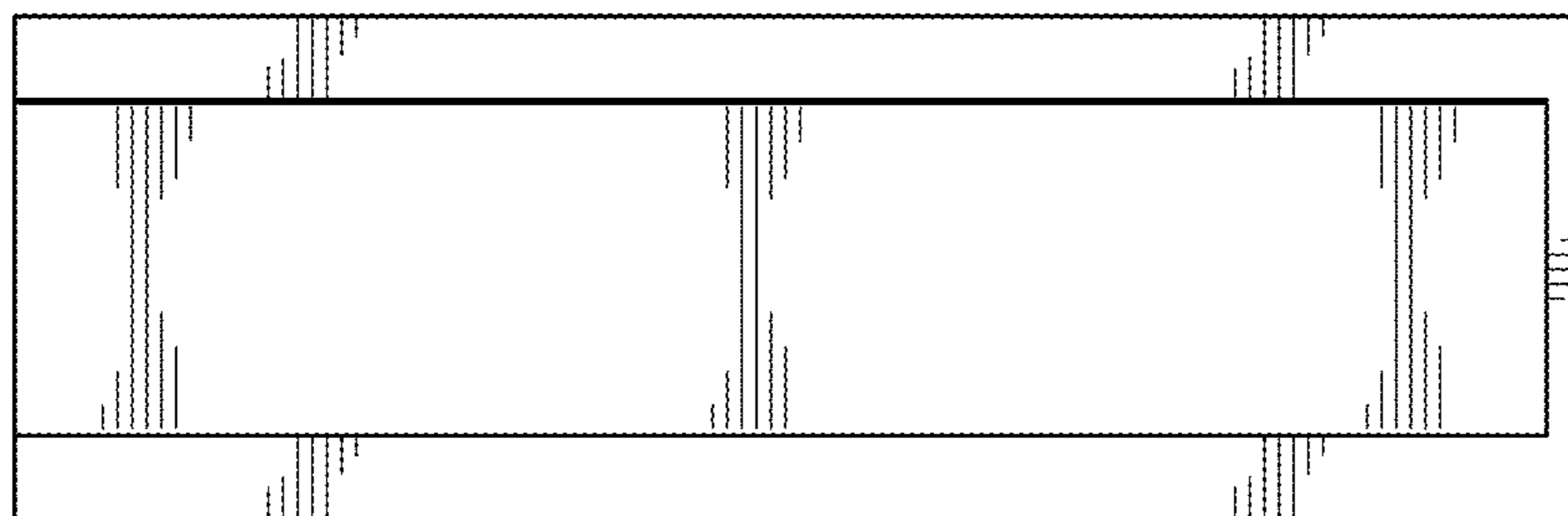


FIG. 14

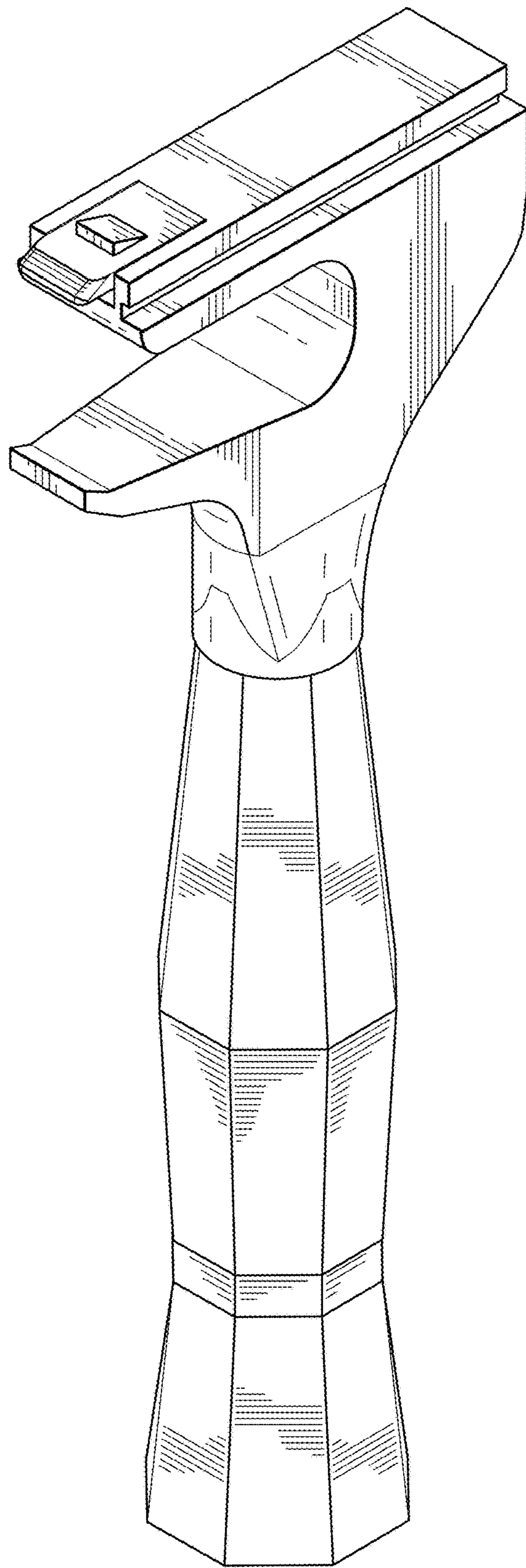


FIG. 15

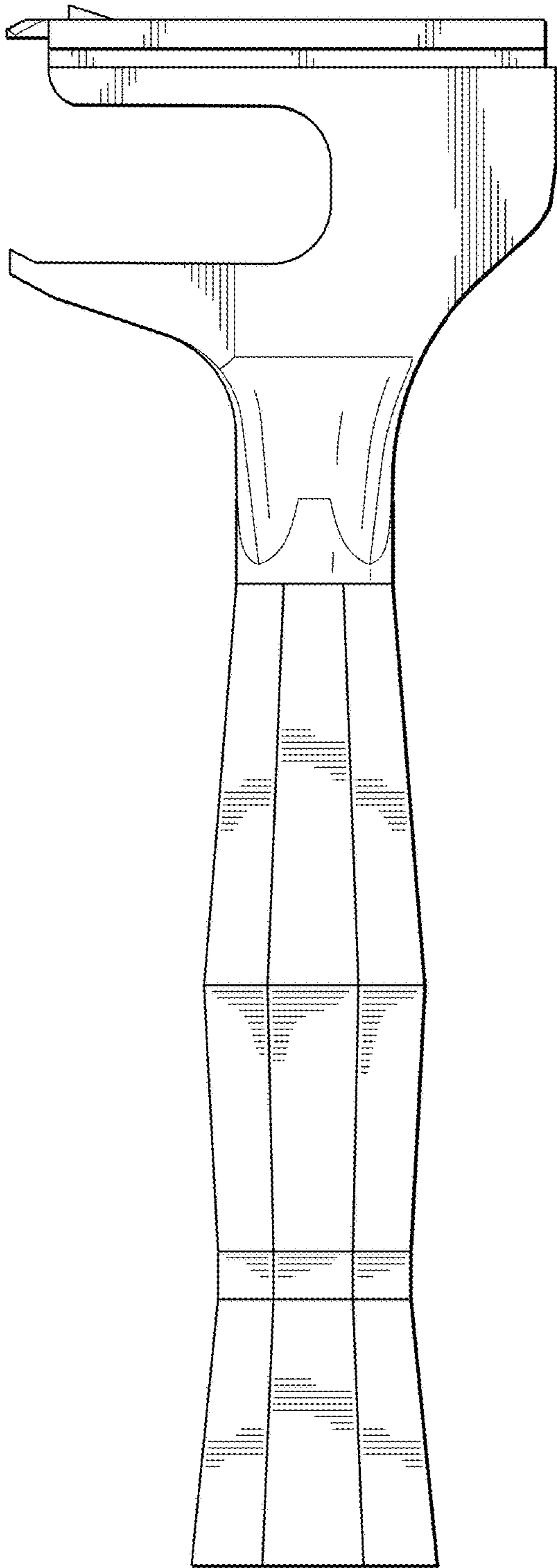


FIG. 16

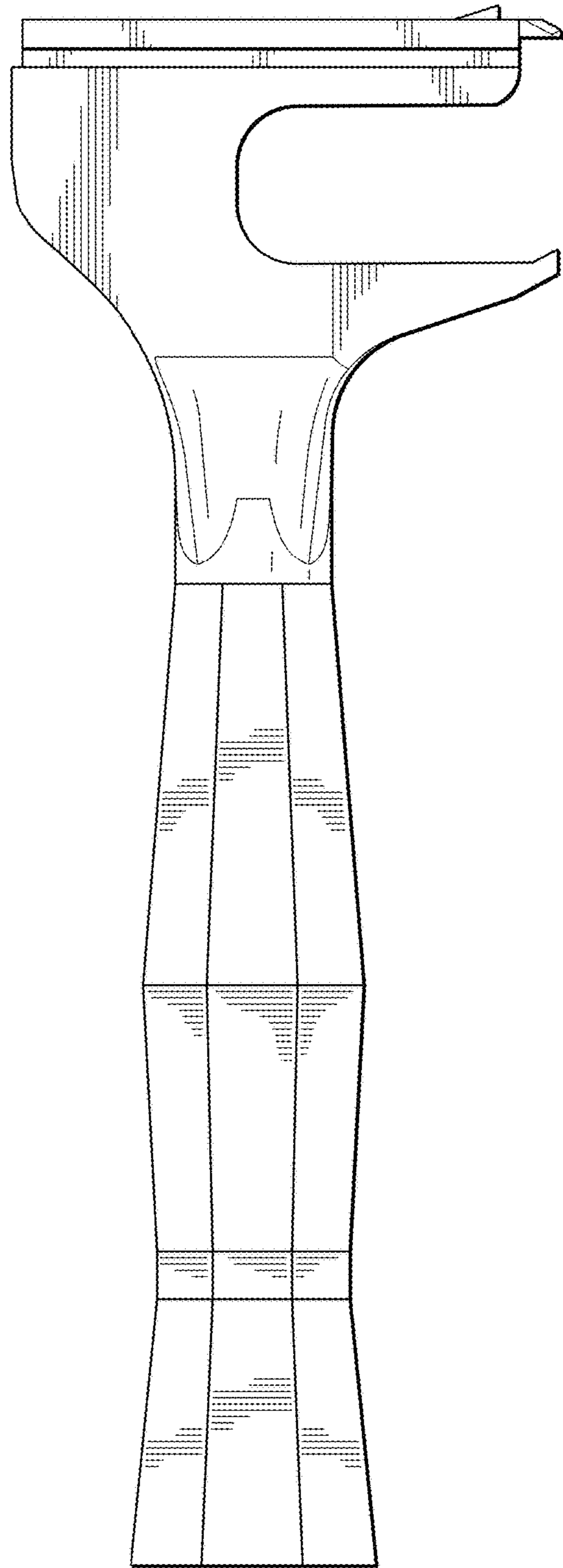


FIG. 17

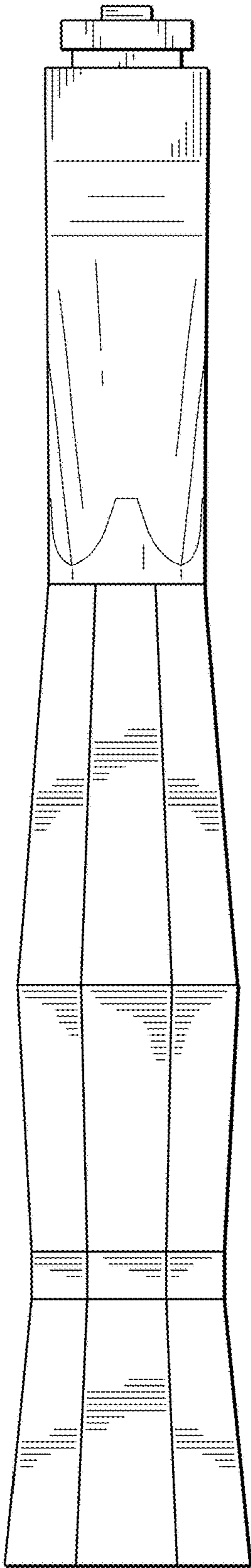


FIG. 18

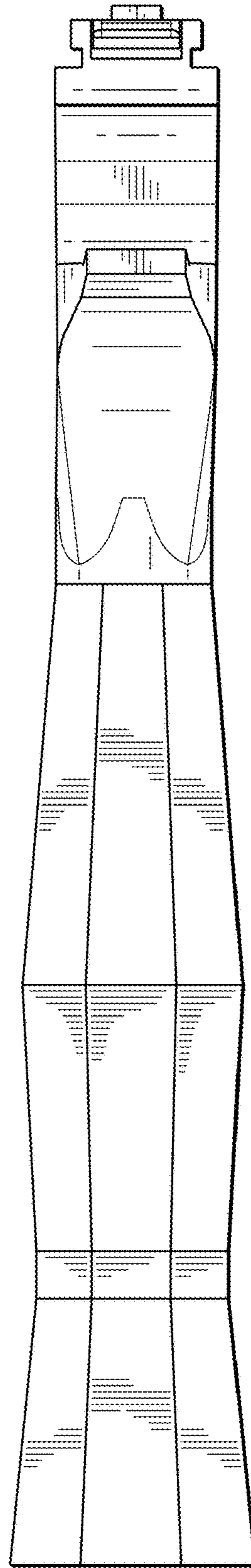


FIG. 19

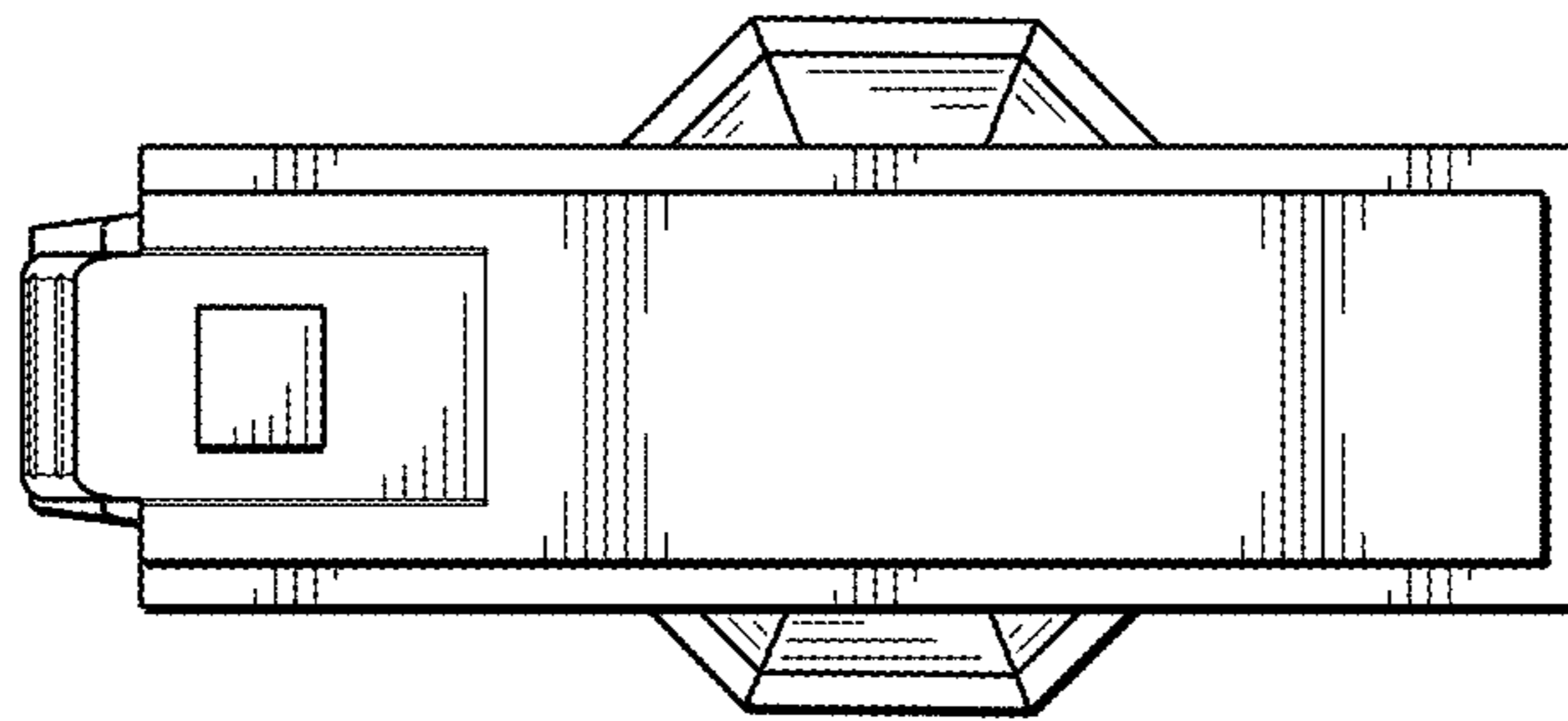


FIG. 20

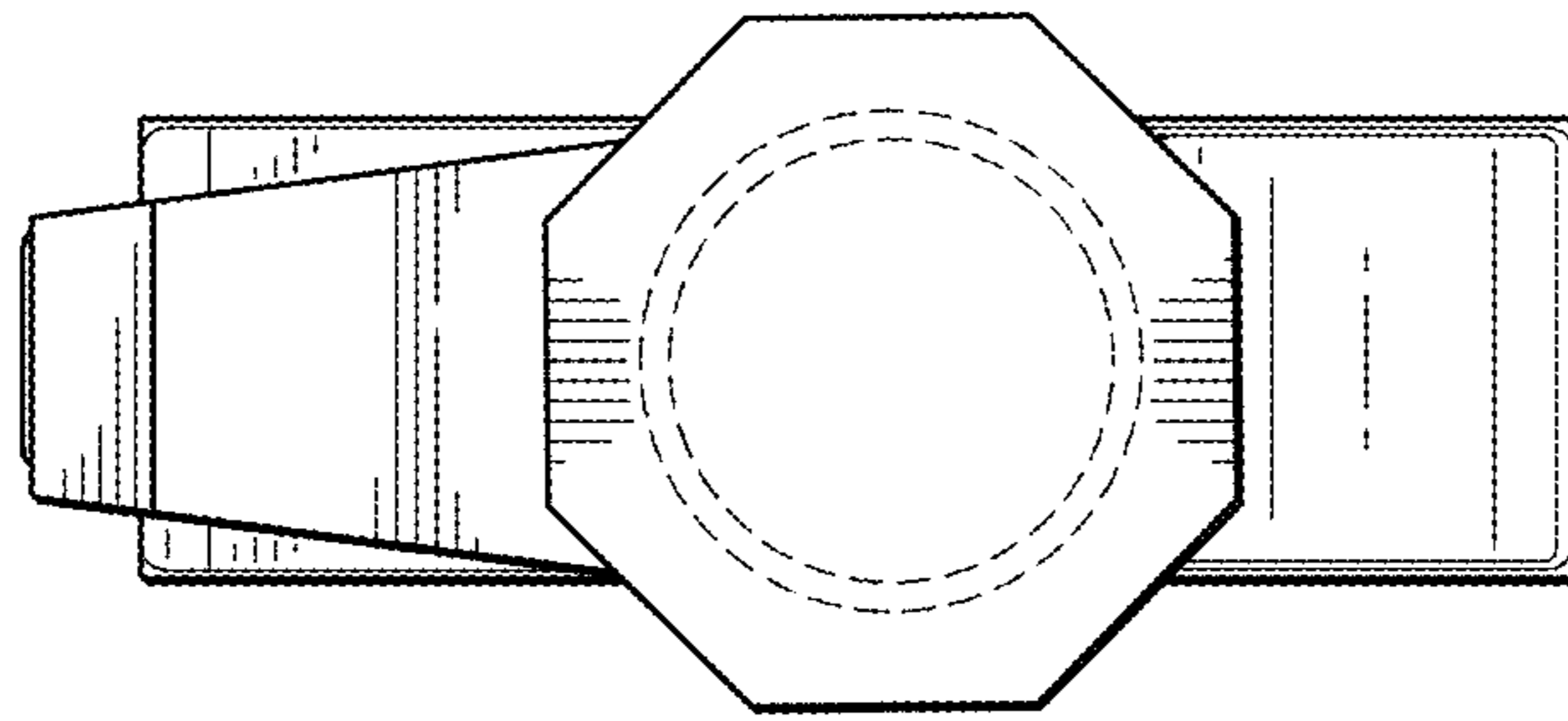


FIG. 21