



US00D854832S

(12) **United States Design Patent** (10) **Patent No.:** **US D854,832 S**
Marin (45) **Date of Patent:** **** Jul. 30, 2019**

- (54) **MILITARY TACTICAL POUCH**
- (71) Applicant: **Daniel Wayne Marin**, Odenton, MD
(US)
- (72) Inventor: **Daniel Wayne Marin**, Odenton, MD
(US)
- (**) Term: **15 Years**
- (21) Appl. No.: **29/636,970**
- (22) Filed: **Feb. 13, 2018**
- (51) **LOC (11) Cl.** **03-01**
- (52) **U.S. Cl.**
USPC **D3/303; D3/230**
- (58) **Field of Classification Search**
USPC D3/201, 215, 218, 221–223, 225, 230,
D3/243, 254, 262, 273, 290, 293, 299,
D3/303, 326
CPC F42B 39/02; F42B 39/26; A45F 5/021;
A45C 3/00; A45C 3/001; A45C 7/0059;
A45C 13/34
See application file for complete search history.

(56) **References Cited**

U.S. PATENT DOCUMENTS

D294,083 S *	2/1988	Collins	D3/262
D325,820 S *	5/1992	Holtzclaw, Jr.	D3/243
D329,327 S *	9/1992	Holtzclaw, Jr.	D3/243
D364,038 S *	11/1995	Stanchin	D3/230
D410,773 S *	6/1999	Case	D3/228
D423,211 S *	4/2000	Giliberti	D3/226

D525,024 S *	7/2006	Fridie	D3/201
D534,721 S *	1/2007	Hussaini	D3/218
D549,958 S *	9/2007	Boyd	D3/218
D620,258 S *	7/2010	Fahrendorff	D3/299
D630,840 S *	1/2011	Windlass	D3/218
D694,013 S *	11/2013	Hyzdu	D3/303
D754,967 S *	5/2016	Galloway	D3/262
D837,519 S *	1/2019	Marin	D3/303

* cited by examiner

Primary Examiner — Mitchell I. Siegel
(74) *Attorney, Agent, or Firm* — Dunlap Bennett & Ludwig PLLC

(57) **CLAIM**

The ornamental design for a military tactical pouch, as shown and described.

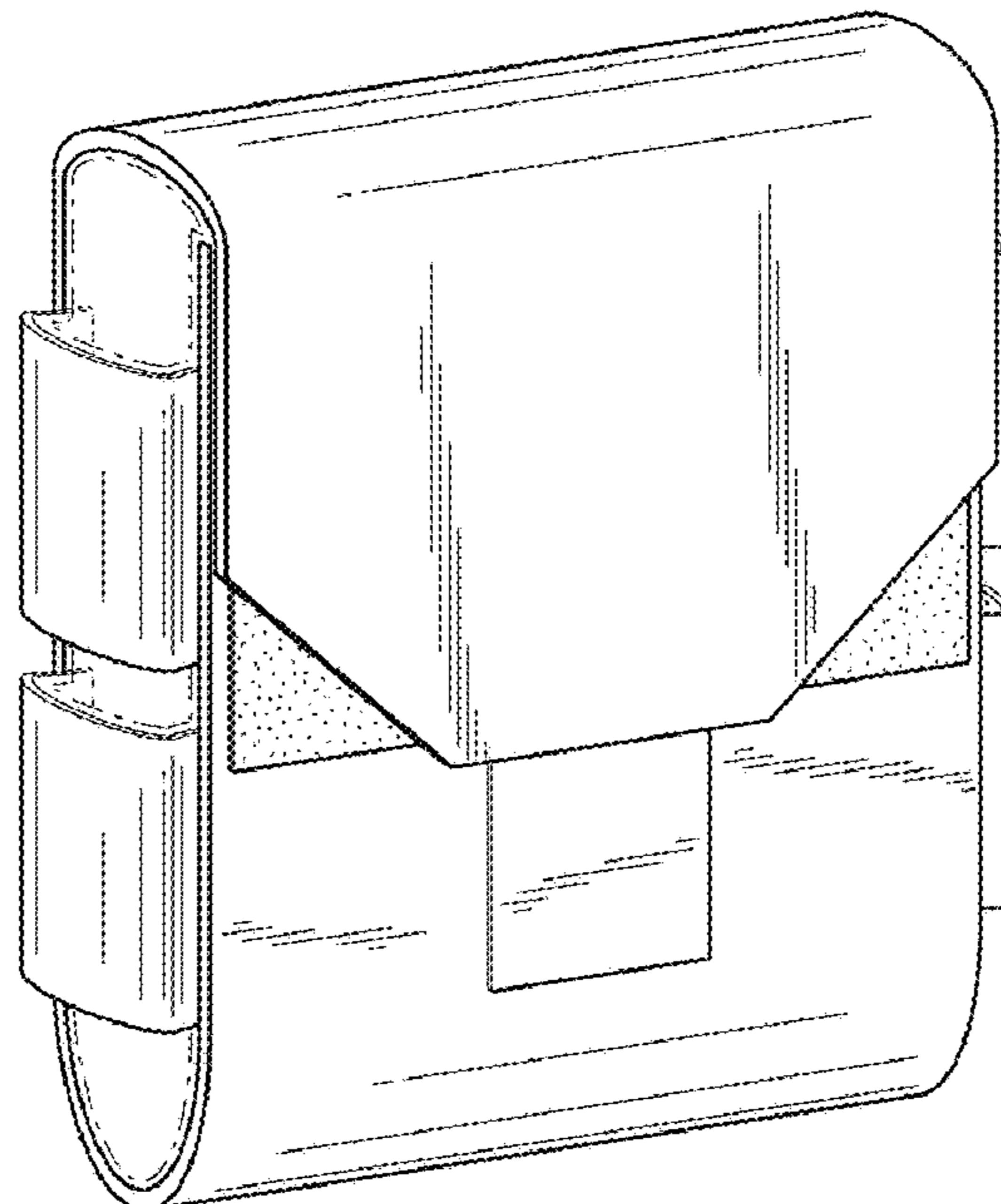
DESCRIPTION

FIG. 1 is a front perspective view of a military tactical pouch, showing my new design;
 FIG. 2 is a front elevation view thereof;
 FIG. 3 is a rear elevation view thereof;
 FIG. 4 is a left side elevation view thereof, the right side elevation view being a mirror image of FIG. 4;
 FIG. 5 is a top plan view thereof; and,
 FIG. 6 is a bottom plan view thereof.

The dash-dot-dash lines on the sides of the pouch represent the unclaimed boundary and forms no part of the claimed design.

The stippling areas are shown to indicate a different material as well as contrasting surfaces.

1 Claim, 3 Drawing Sheets



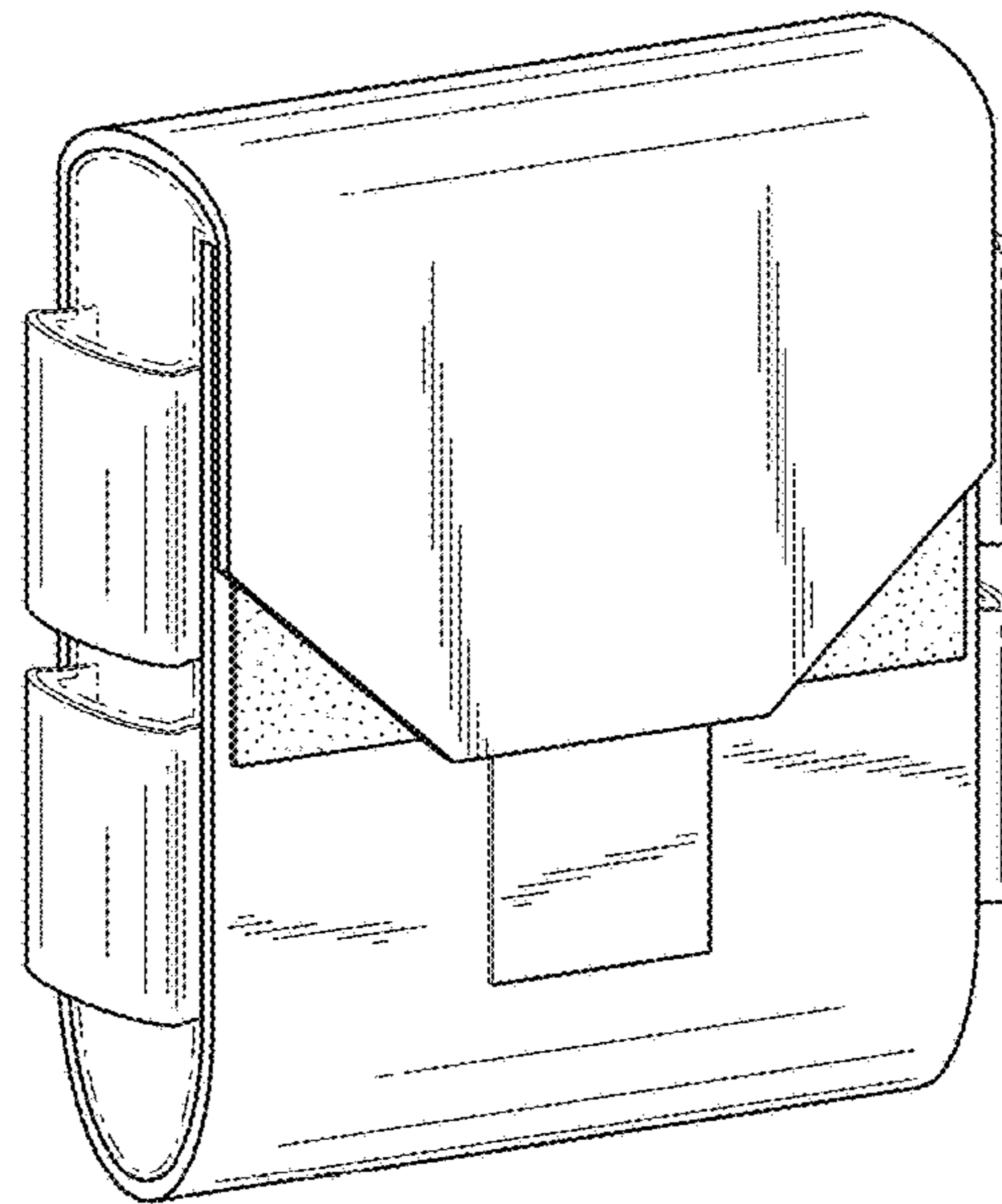


FIG. 1

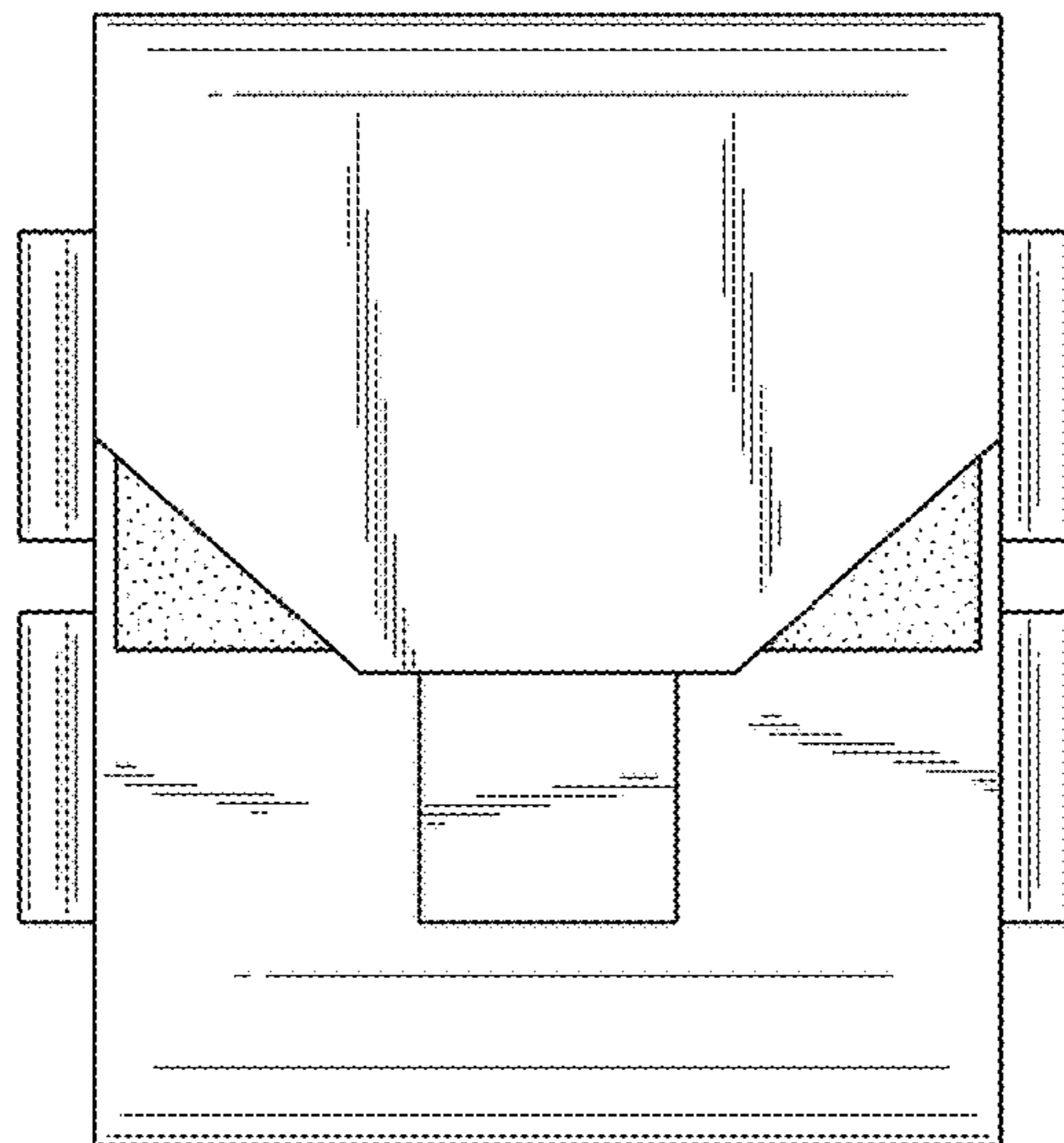


FIG. 2

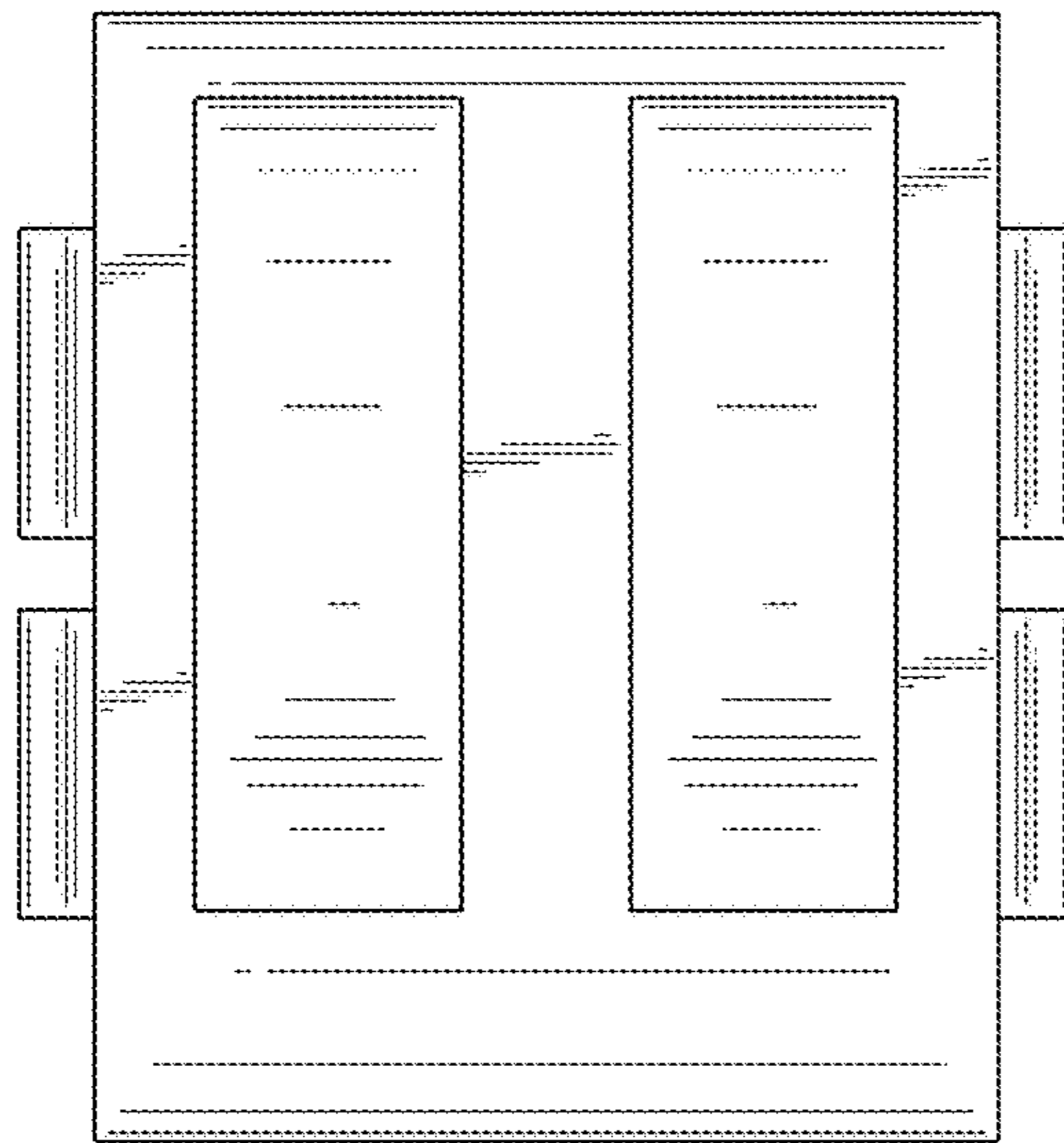


FIG. 3

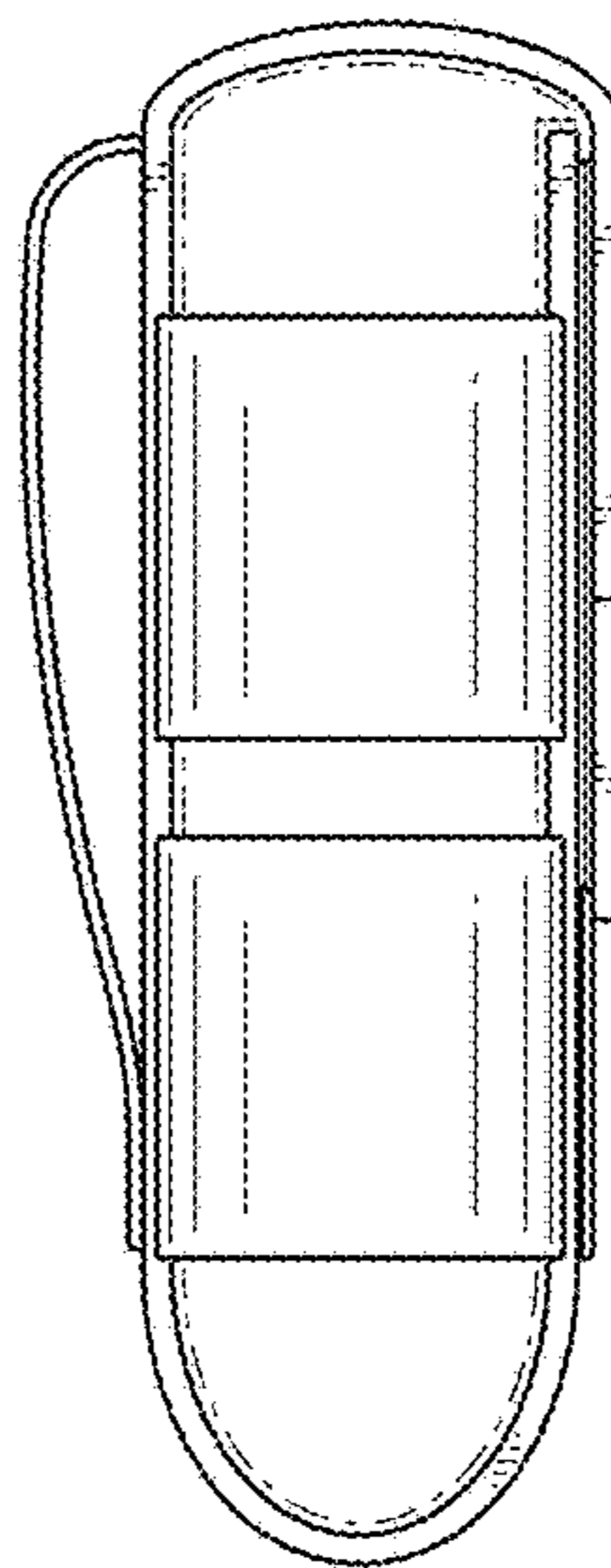


FIG. 4

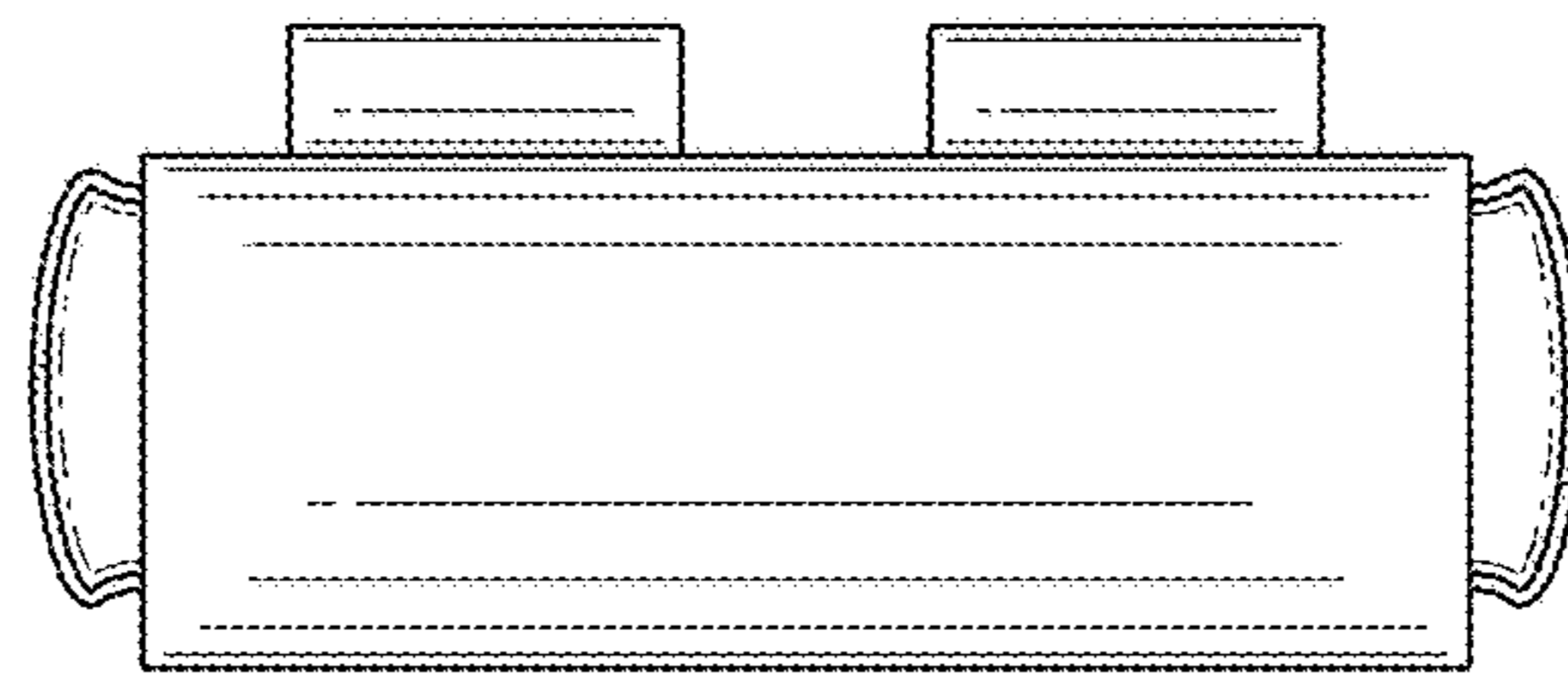


FIG. 5

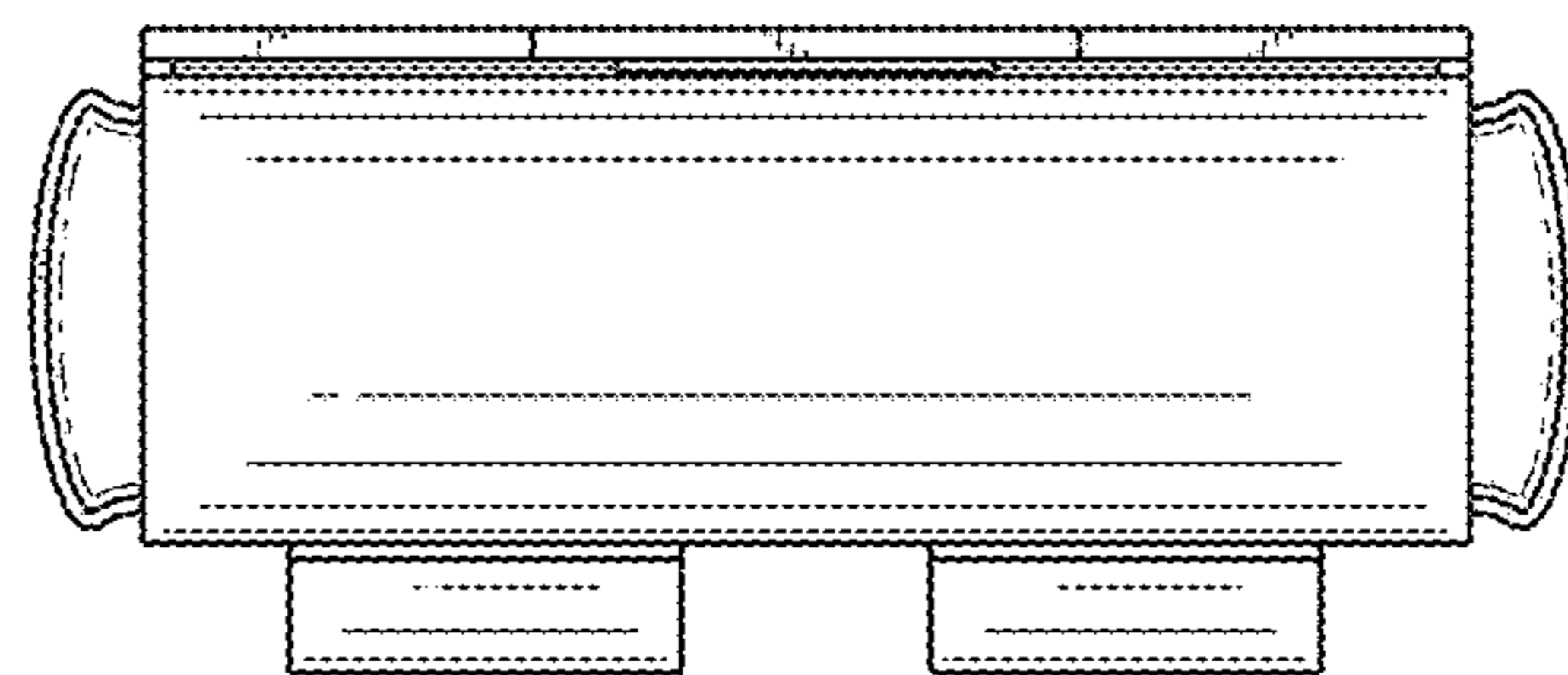


FIG. 6