



US00D854831S

(12) **United States Design Patent**
Romano

(10) **Patent No.:** **US D854,831 S**

(45) **Date of Patent:** **** Jul. 30, 2019**

(54) **POUCH**

(71) Applicant: **TR Apparel, LLC**, New York, NY
(US)

(72) Inventor: **Angela Romano**, Brooklyn, NY (US)

(73) Assignee: **TR APPAREL, LLC**, New York, NY
(US)

(**) Term: **15 Years**

(21) Appl. No.: **29/593,860**

(22) Filed: **Feb. 13, 2017**

(51) **LOC (11) Cl.** **03-01**

(52) **U.S. Cl.**
USPC **D3/303**

(58) **Field of Classification Search**
USPC D3/201, 224–227, 232, 245, 265, 266,
D3/273, 276, 300, 301, 302, 303, 315;
D9/702, 703, 705, 707, 709, 710, 433,
D9/901

CPC A47C 7/62; A47C 1/14
See application file for complete search history.

(56) **References Cited**

U.S. PATENT DOCUMENTS

2,055,405	A *	9/1936	Flint	A24F 23/02 206/260
2,636,532	A *	4/1953	Putt	A24F 13/18 131/256
D241,189	S *	8/1976	Clark	D3/227
D244,405	S *	5/1977	Takata	D3/267
D252,175	S *	6/1979	Koffler	D3/283
D252,355	S *	7/1979	Uber	224/600
D256,187	S *	8/1980	Miles	D3/247
4,602,390	A *	7/1986	Morera	A41D 27/20 2/247
D307,825	S *	5/1990	Makrauer	D3/303
D336,362	S *	6/1993	McCord	D3/246

D394,349	S *	5/1998	Warwick	D3/245
D529,283	S *	10/2006	Vivar	D3/247
D533,348	S *	12/2006	Andre	D3/303
D595,052	S *	6/2009	Rohrbach	D3/269
D609,581	S *	2/2010	Doyal	D9/703
D617,099	S *	6/2010	Stein	D3/303
D620,259	S *	7/2010	Fahrendorff	D3/303
D672,950	S *	12/2012	Rosell	D3/205
D679,499	S *	4/2013	Harris	D3/303
D707,967	S *	7/2014	Spallone	D3/303
D719,732	S *	12/2014	Hyzdu	D3/303
D722,691	S *	2/2015	Miller	D24/143
D770,174	S *	11/2016	Smith, Sr.	D3/232
D782,190	S *	3/2017	Bauer	D3/247
D804,179	S *	12/2017	Kolstad	D3/303

(Continued)

Primary Examiner — Holly E Thurman

(74) *Attorney, Agent, or Firm* — Sheppard, Mullin,
Richter & Hampton LLP

(57) **CLAIM**

I claim the ornamental design for a pouch, as shown and described.

DESCRIPTION

FIG. 1 is a front, right, and top side perspective view of an ornamental design for a pouch, the pouch in a closed position;

FIG. 2 is a front side elevational view thereof;

FIG. 3 is a rear side elevational view thereof;

FIG. 4 is a top plan view thereof;

FIG. 5 is a bottom plan view thereof;

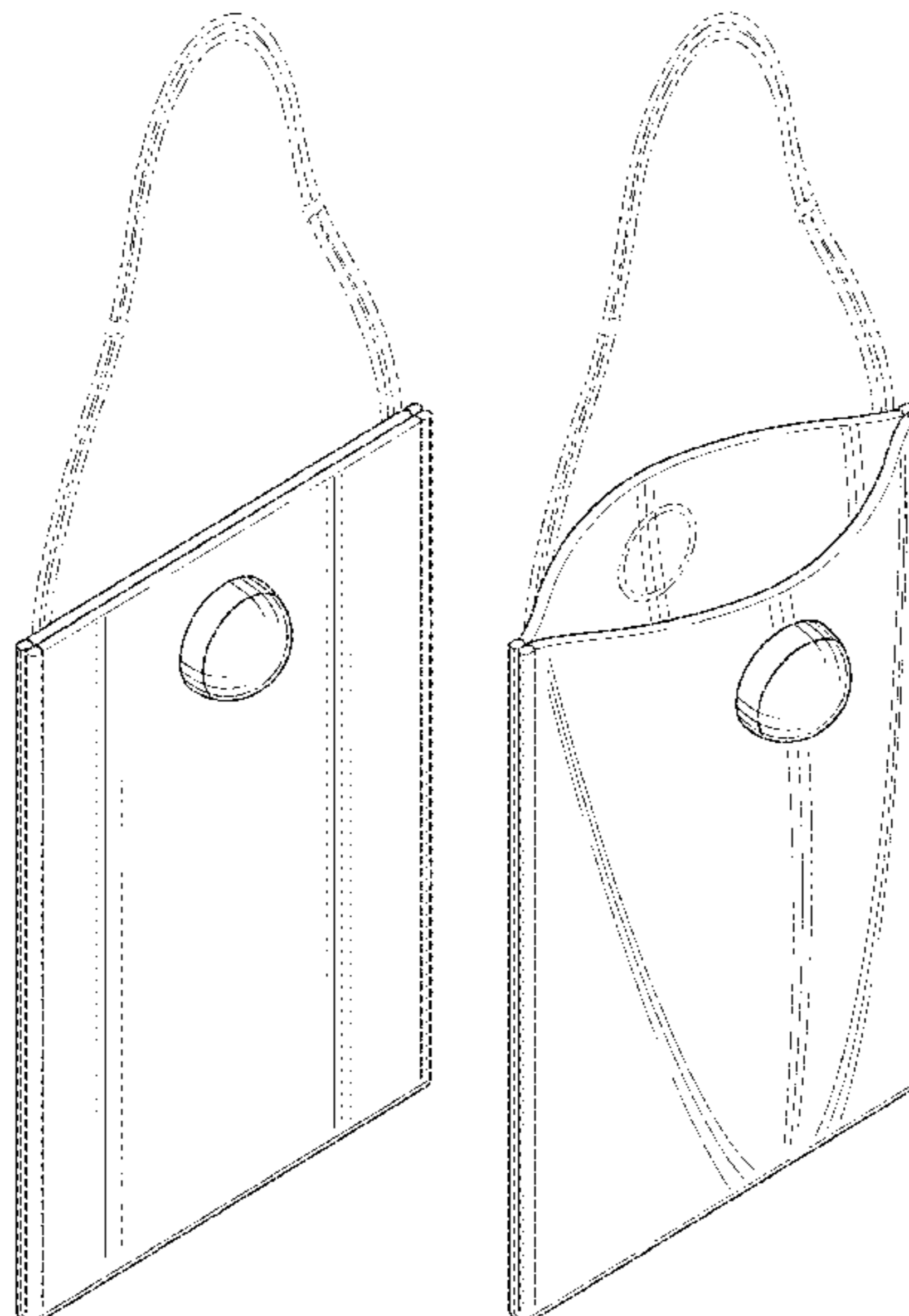
FIG. 6 is a right side elevational view thereof;

FIG. 7 is a left side elevational view thereof; and,

FIG. 8 is a front, right, and top side perspective of the pouch in an open position.

The dashed broken lines depict portions of the pouch that form no part of the claimed design. The dash-dot-dot broken lines depict environment, and form no part of the claimed design.

1 Claim, 6 Drawing Sheets



(56)

References Cited

U.S. PATENT DOCUMENTS

D831,339 S * 10/2018 Villebro D3/226
2009/0208148 A1 * 8/2009 Doyle B65D 33/24
383/86

* cited by examiner

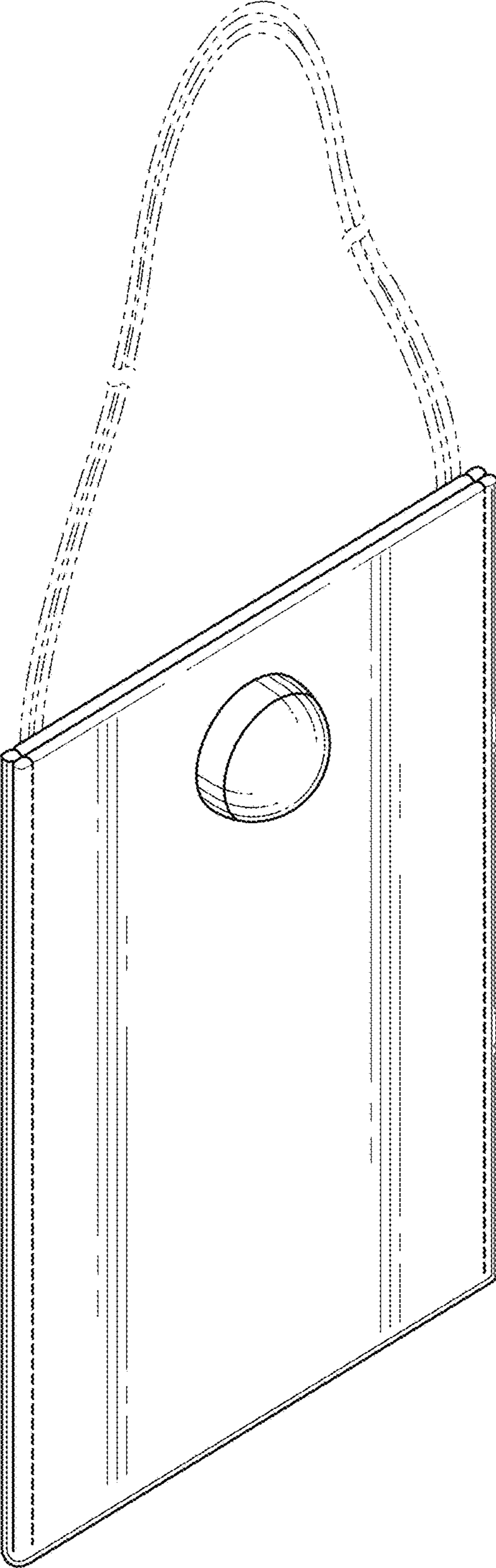


FIG. 1

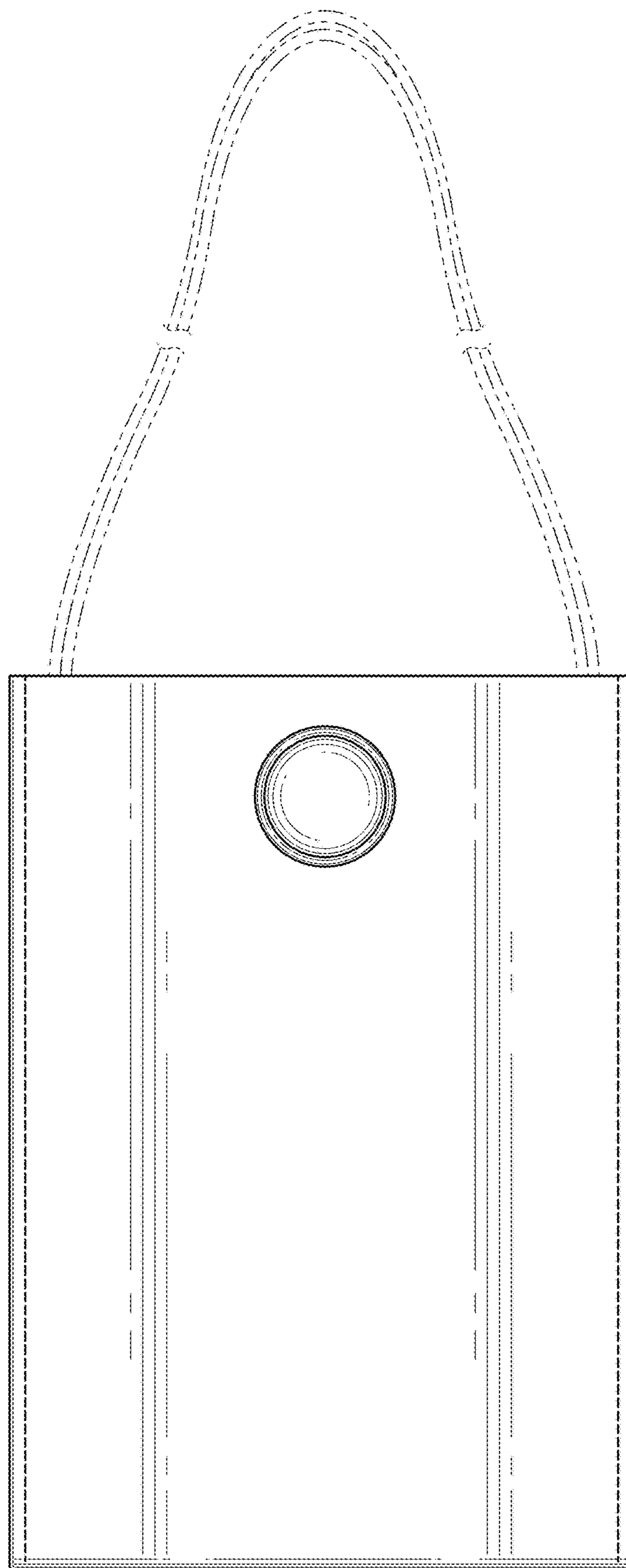


FIG. 2

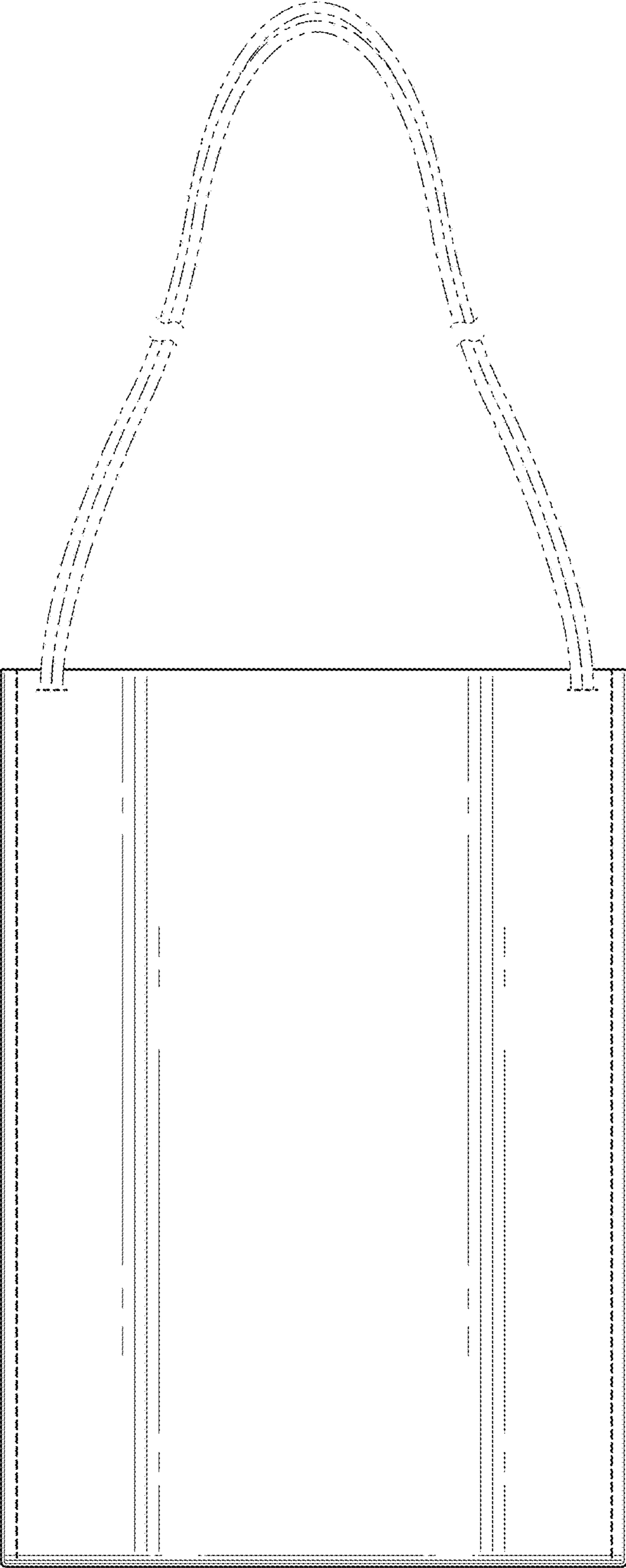


FIG. 3

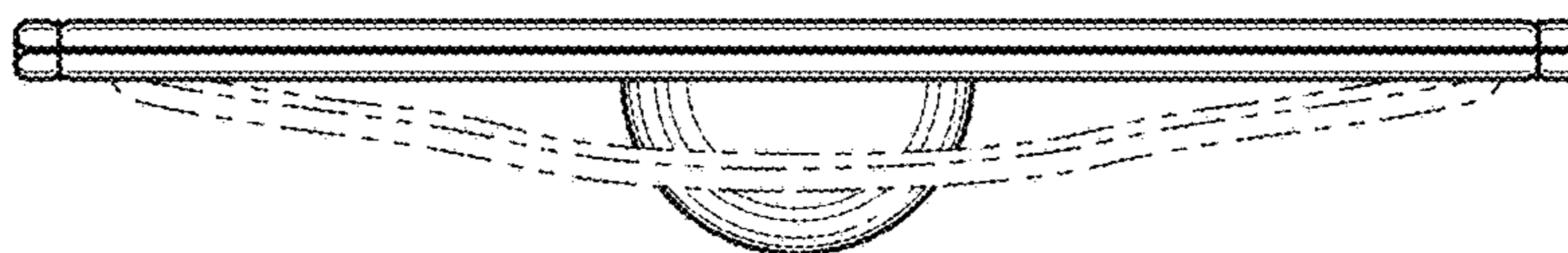


FIG. 4

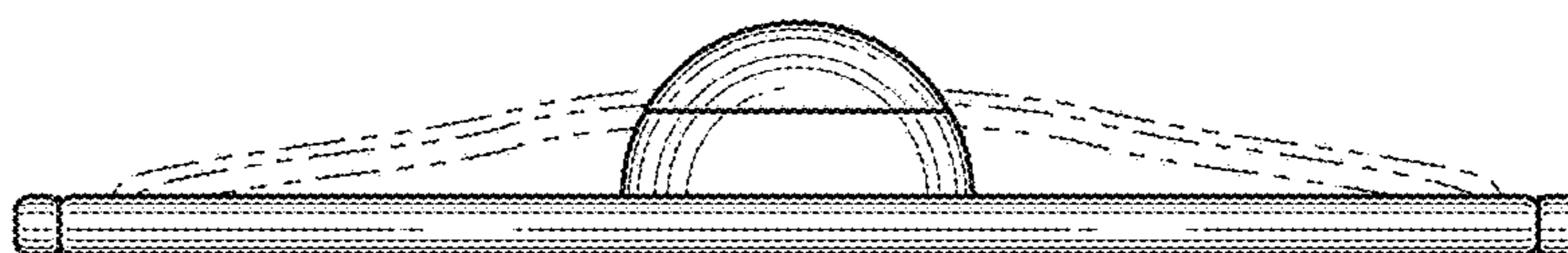


FIG. 5

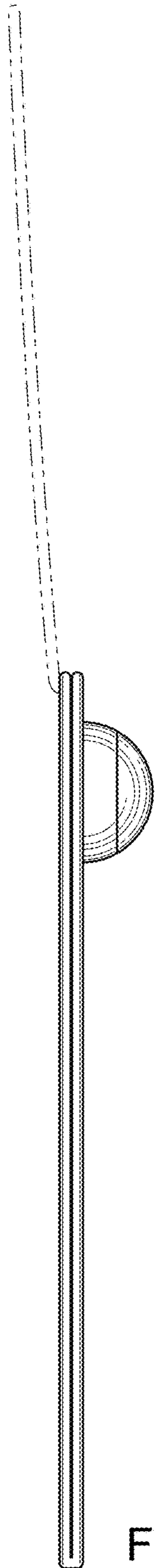


FIG. 6

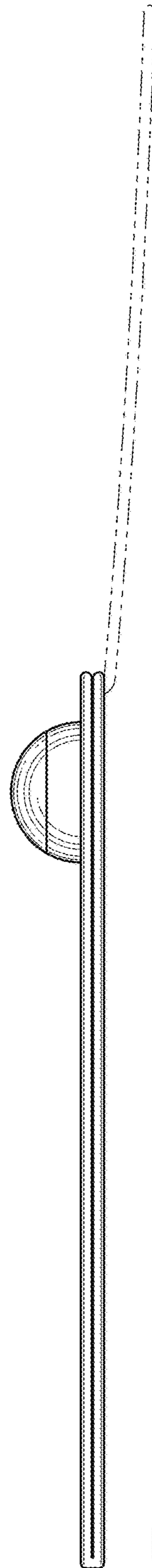


FIG. 7

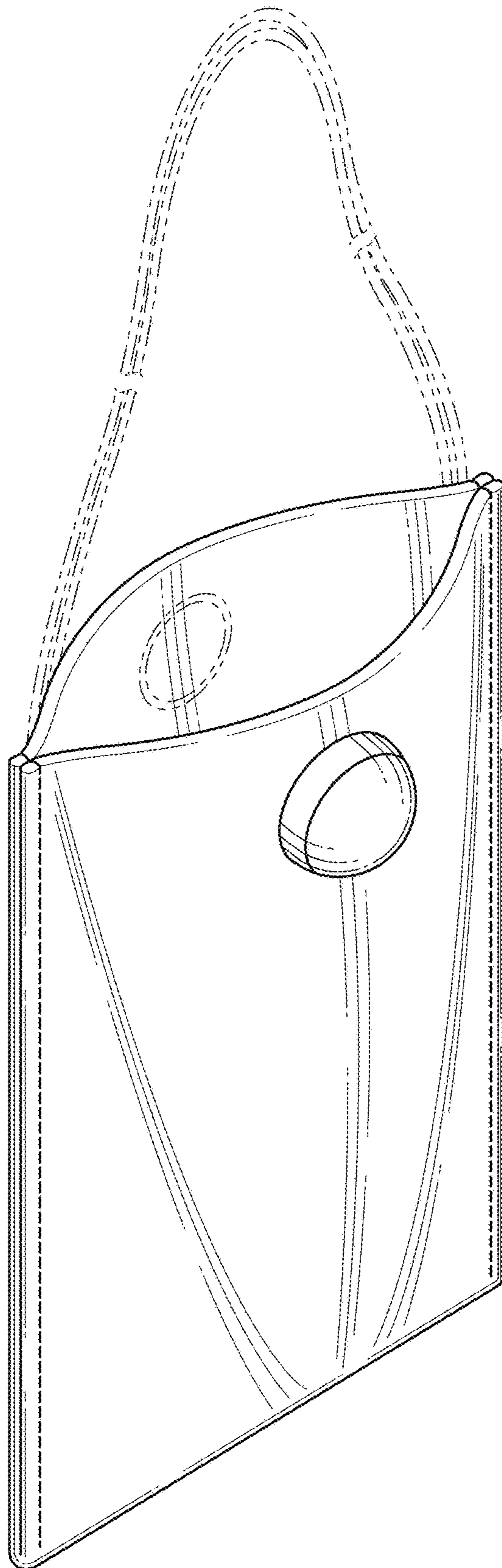


FIG. 8