



US00D854830S

(12) **United States Design Patent**
Criste et al.

(10) **Patent No.:** **US D854,830 S**

(45) **Date of Patent:** **** Jul. 30, 2019**

(54) **TRANSPARENT CONTAINER FOR
DISPLAYING PURSES AND HANDBAGS**

(71) Applicants: **Gerson Criste**, Marion, IL (US); **Ma
Claravel Criste**, Marion, IL (US)

(72) Inventors: **Gerson Criste**, Marion, IL (US); **Ma
Claravel Criste**, Marion, IL (US)

(**) Term: **15 Years**

(21) Appl. No.: **29/682,552**

(22) Filed: **Mar. 6, 2019**

(51) **LOC (11) Cl.** **03-01**

(52) **U.S. Cl.**
USPC **D3/302**

(58) **Field of Classification Search**
USPC D3/272, 273, 274, 276-284, 291, 294,
D3/295, 298, 302, 304, 307-309, 315,
D3/314, 310, 312, 901, 903, 905;
D9/414

CPC .. A45C 5/00; A45C 5/04; A45C 11/00; A45C
11/16; B62B 2206/006; B65D 1/02;
B65D 1/22; B65D 2543/00194; B65D
21/0209; B65D 2543/00296

See application file for complete search history.

(56) **References Cited**

U.S. PATENT DOCUMENTS

2,023,260	A	12/1935	Beers	
D289,105	S *	4/1987	Sussman	D3/302
4,717,070	A *	1/1988	Taub	B65D 5/685 229/117.16
D315,098	S *	3/1991	Hutcheson	D3/302
5,069,512	A	12/1991	Sykes	
5,511,873	A	4/1996	Mech	
5,524,977	A	6/1996	Orawski	
D494,758	S *	8/2004	DeCarlo	D3/283
D500,205	S *	12/2004	DeCarlo	D3/273

D503,042	S *	3/2005	Gutierrez	D3/273
D518,637	S *	4/2006	DeCarlo	D3/283
D518,957	S *	4/2006	DeCarlo	D3/302
D584,053	S *	1/2009	Abdo	D3/302
D673,368	S *	1/2013	Scott	D3/304
D675,020	S *	1/2013	Mu	D3/302
D740,564	S *	10/2015	Scott	D3/304
D766,020	S *	9/2016	Thatcher	D6/667
D779,295	S *	2/2017	Weernink	D3/302
D780,264	S *	2/2017	Greenspon	D19/90
D832,698	S *	11/2018	Uglialoro	D9/432
2010/0127603	A1	5/2010	Hahn	
2014/0353177	A1	12/2014	Senate	
2014/0374082	A1	12/2014	Pena	

* cited by examiner

Primary Examiner — Holly E Thurman

(74) *Attorney, Agent, or Firm* — Mitchell Law PLLC;
Matthew W. Mitchell

(57) **CLAIM**

The ornamental design for a transparent container for displaying purses and handbags, as shown and described.

DESCRIPTION

FIG. 1 is a front perspective view of the transparent container for displaying purses and handbags of the present invention;

FIG. 2 is front isometric view thereof;

FIG. 3 is a front view thereof;

FIG. 4 is a rear view thereof;

FIG. 5 is a right side view thereof;

FIG. 6 is a left-side view thereof;

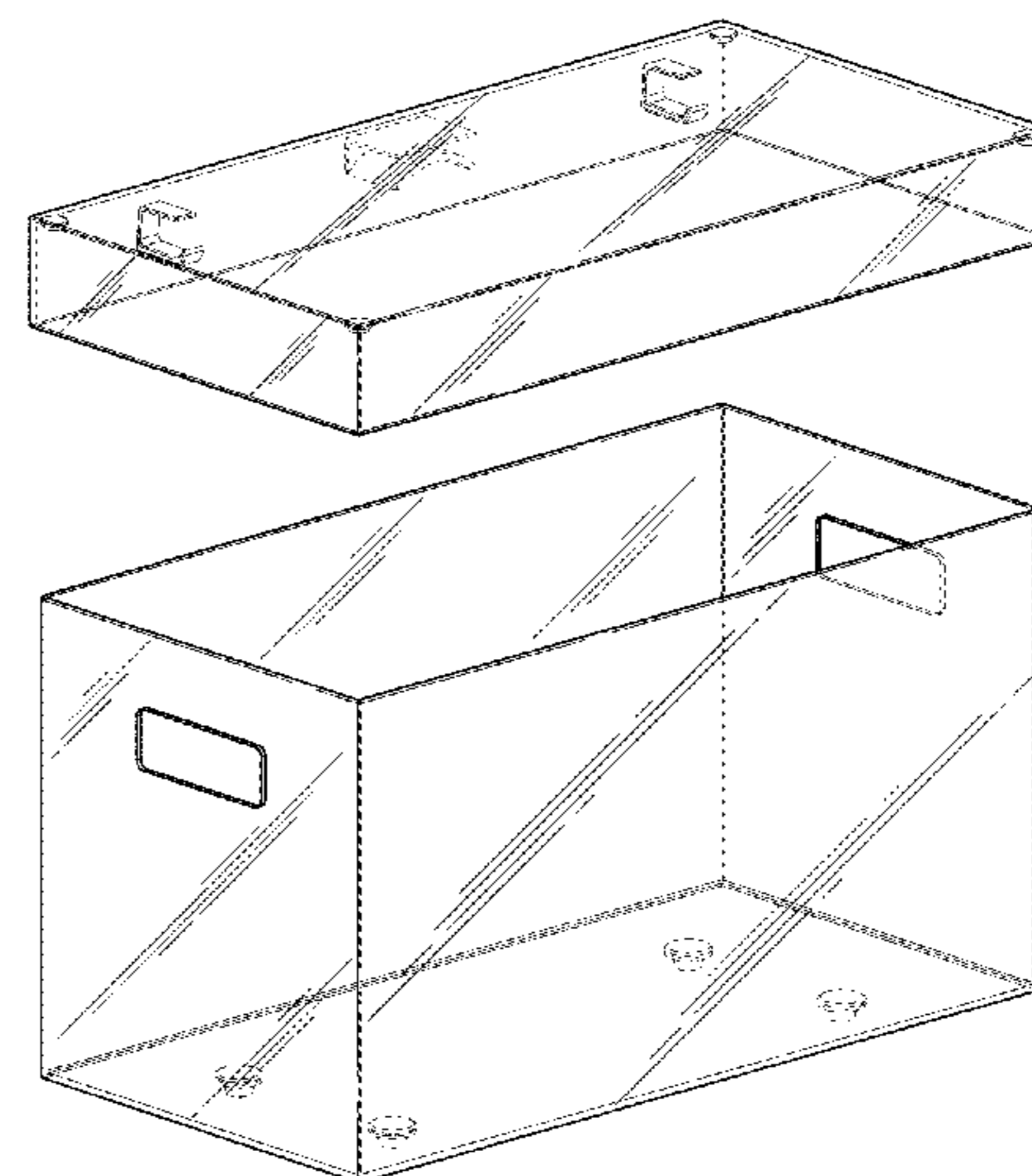
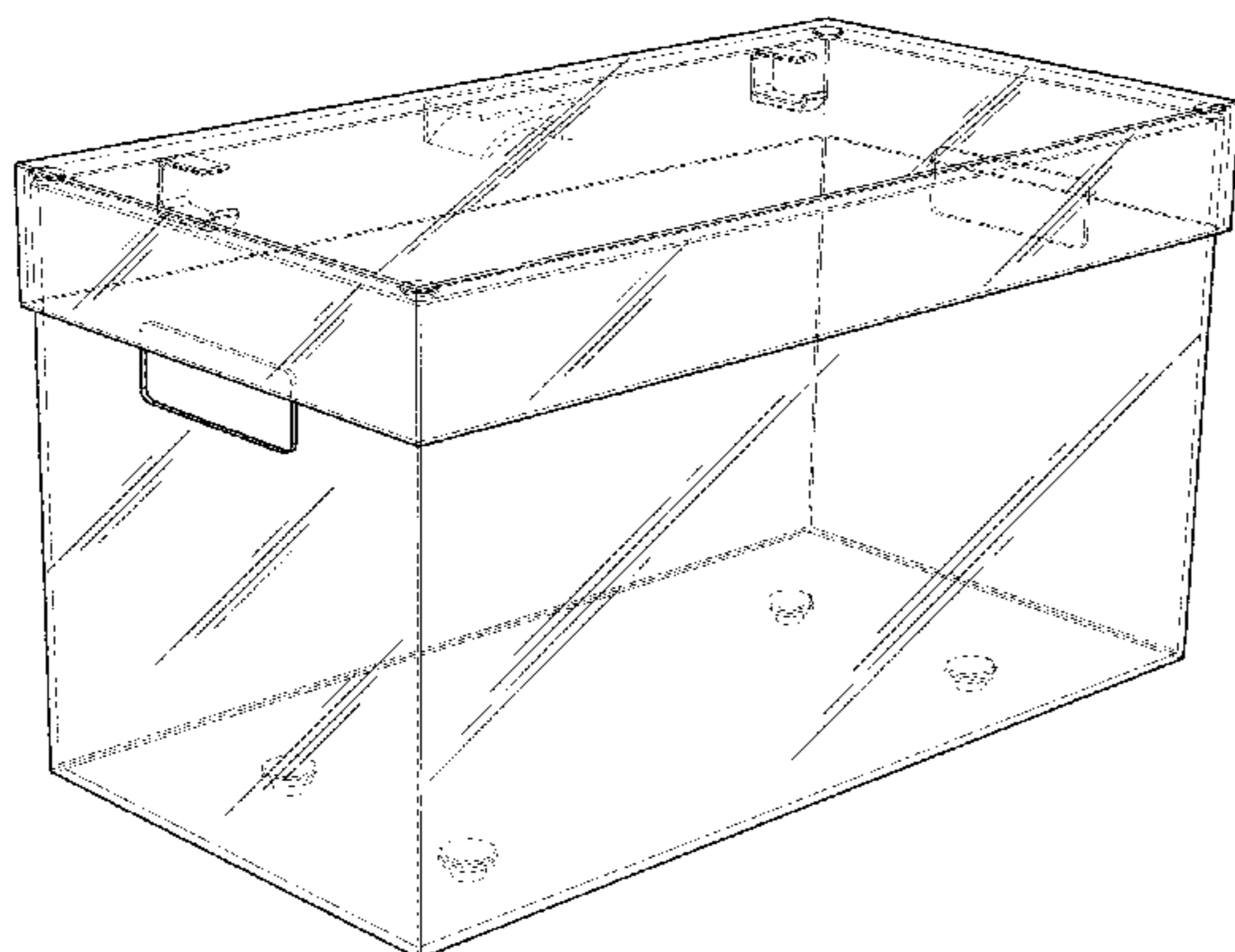
FIG. 7 is a top plan view thereof;

FIG. 8 is a bottom plan view thereof; and,

FIG. 9 is an exploded view thereof.

Subject matter shown in broken lines forms no part of the claimed design.

1 Claim, 9 Drawing Sheets



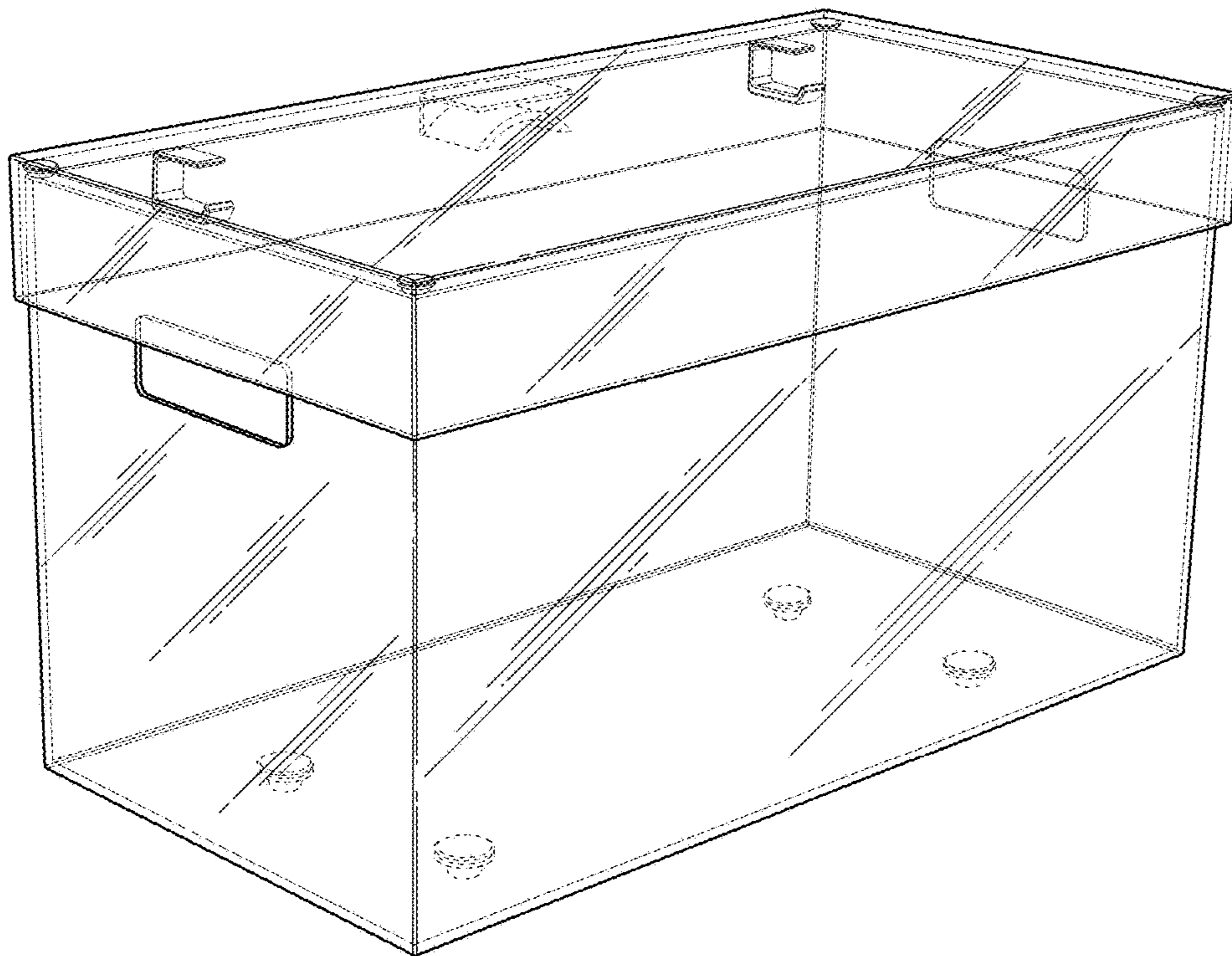


FIG. 1

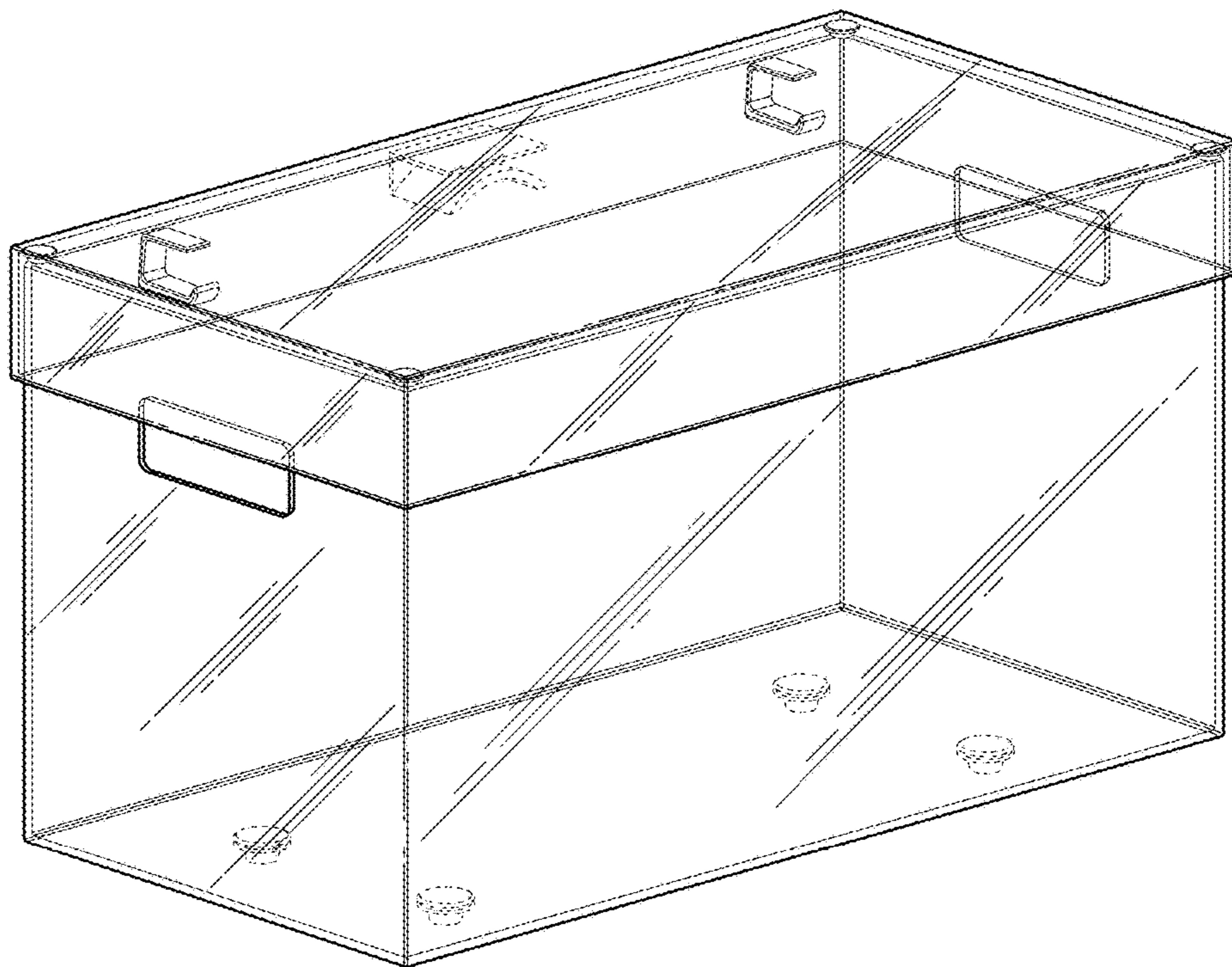


FIG. 2

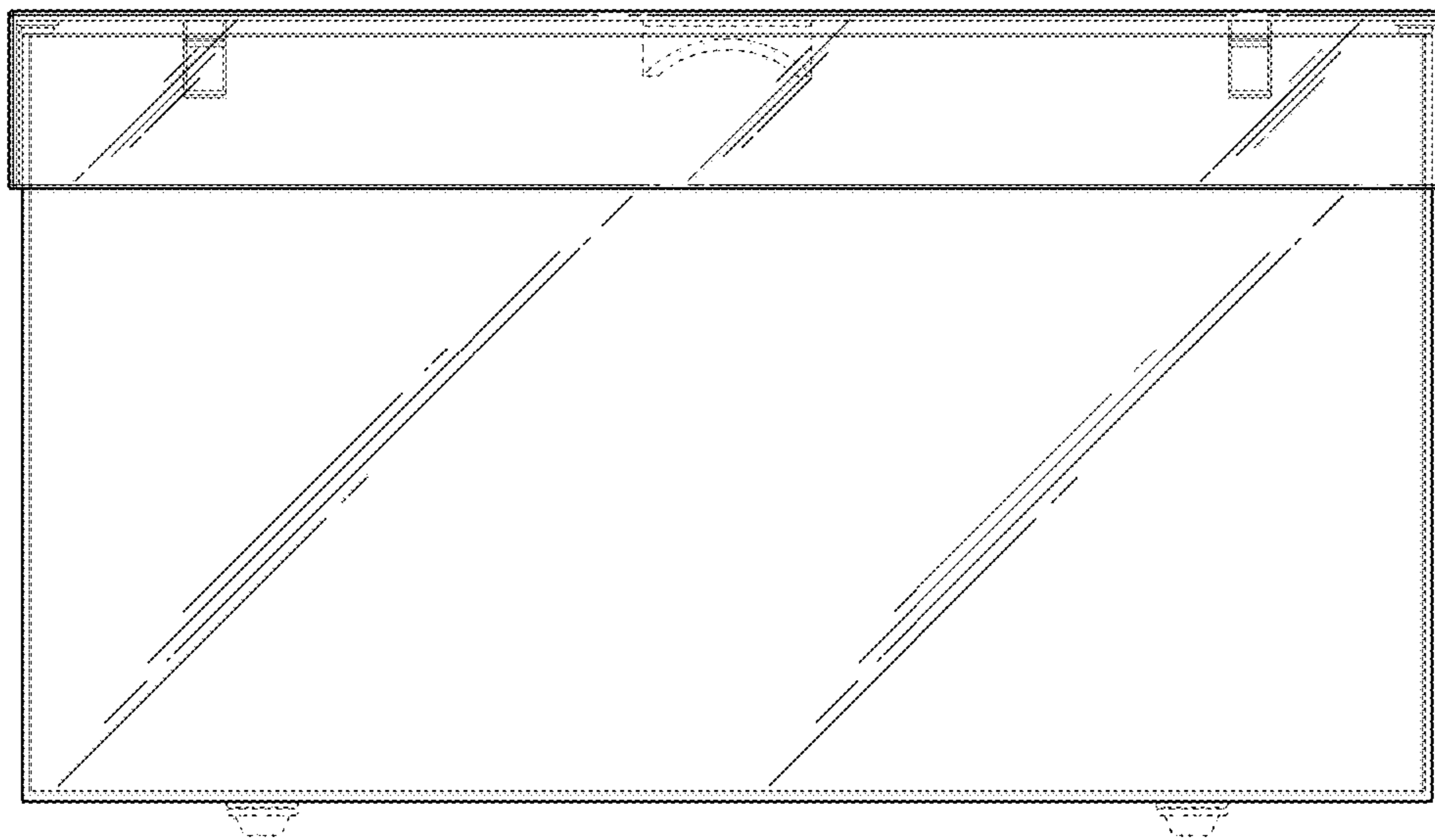


FIG. 3

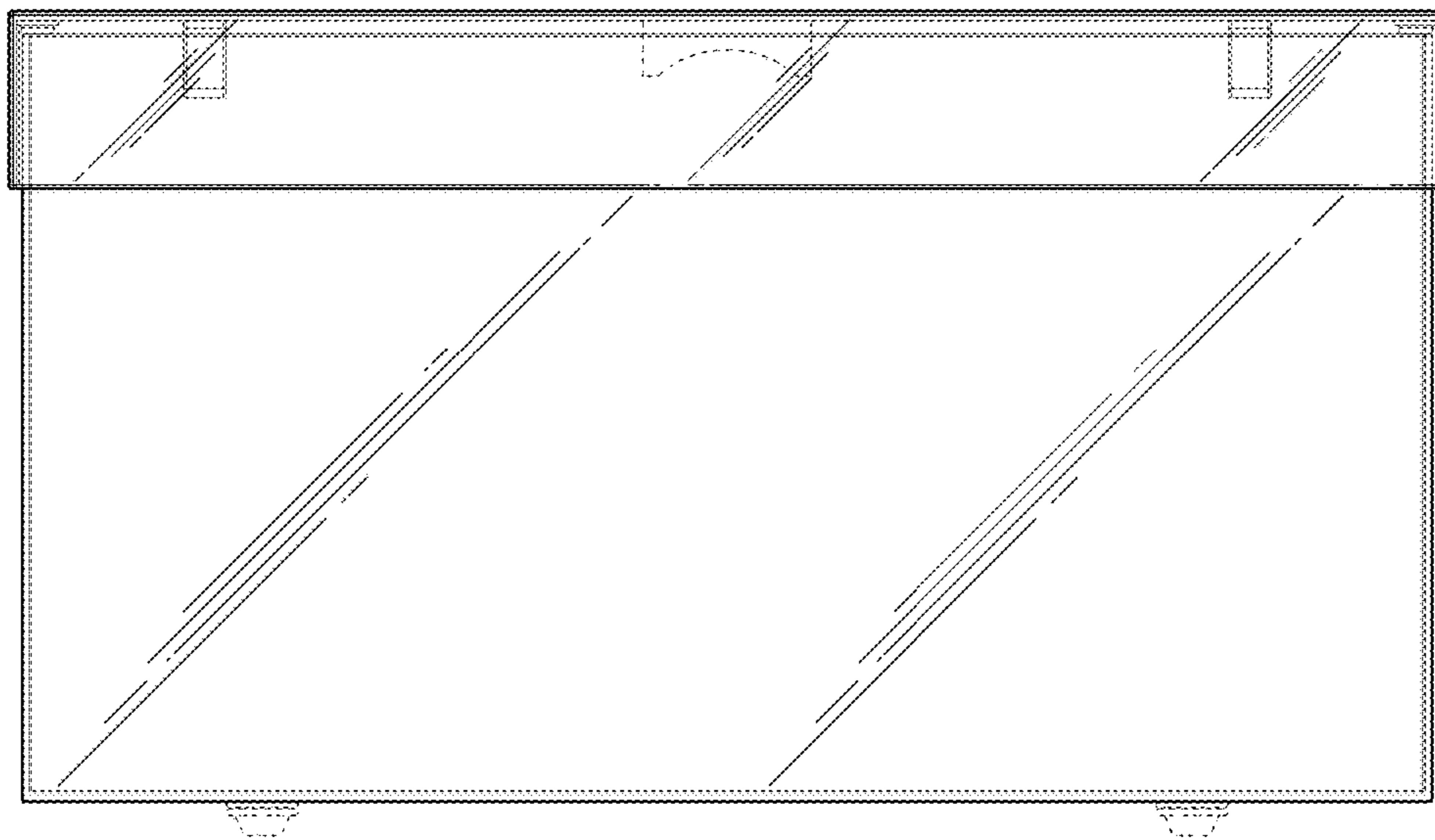


FIG. 4

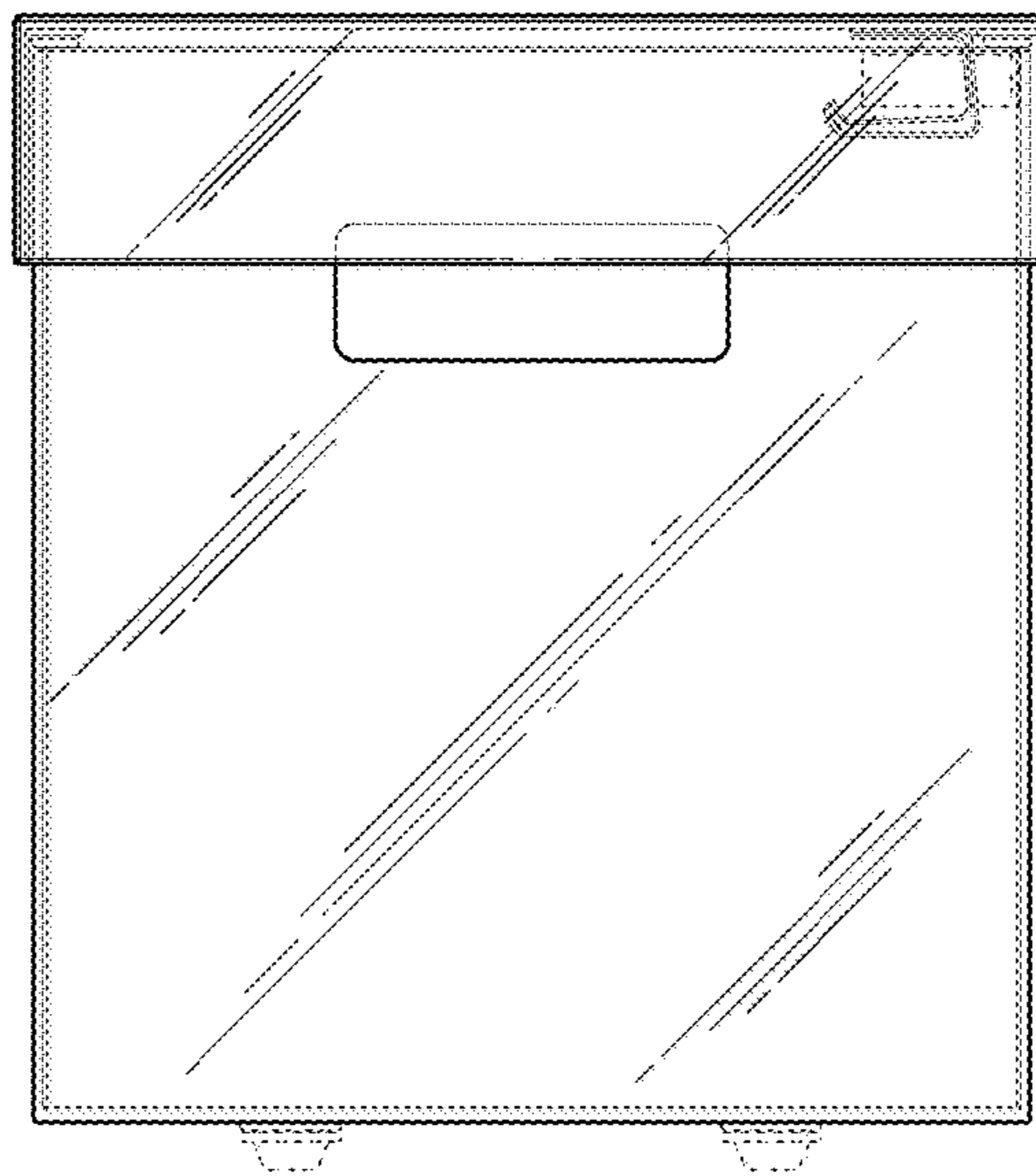


FIG. 5

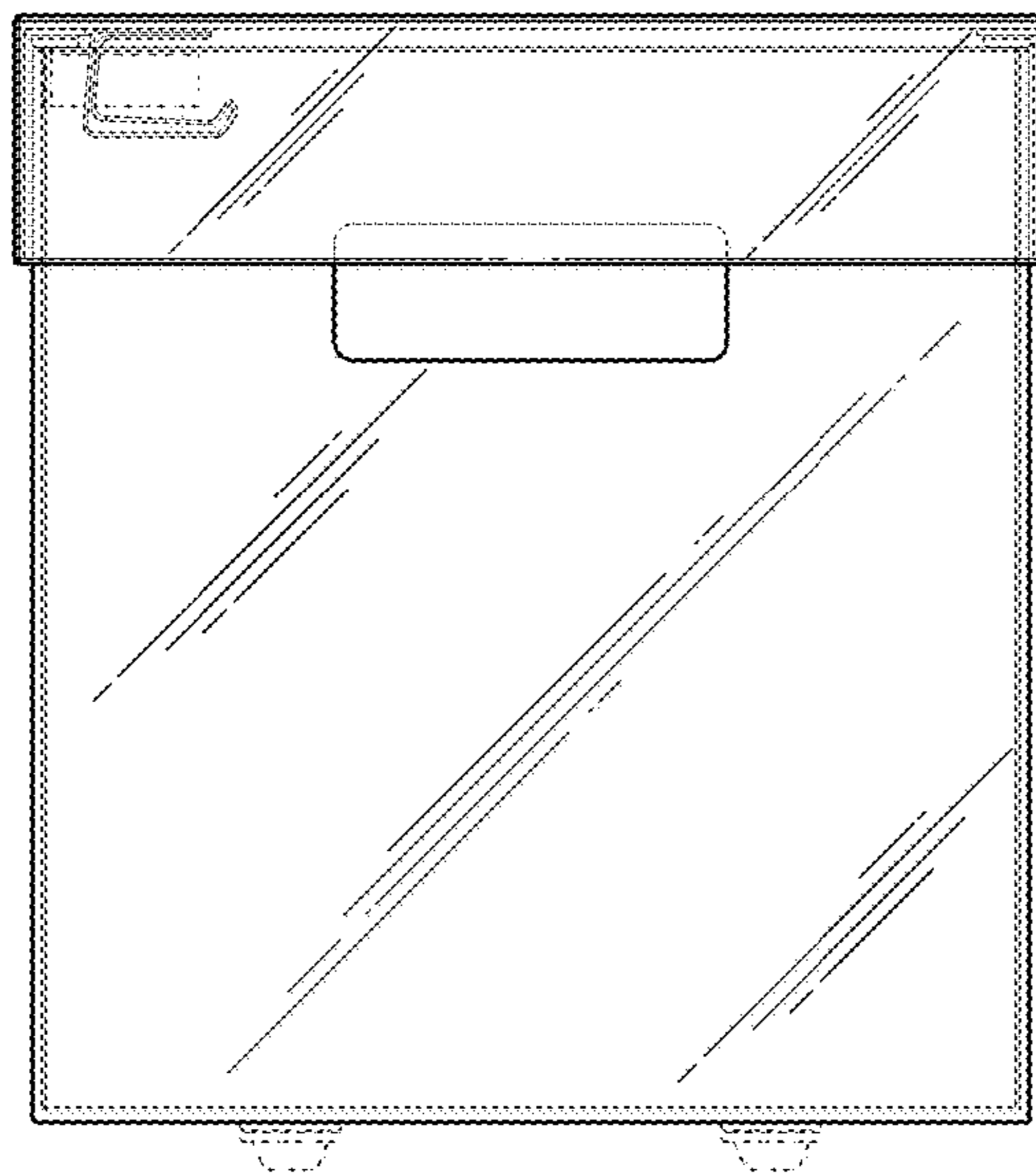


FIG. 6

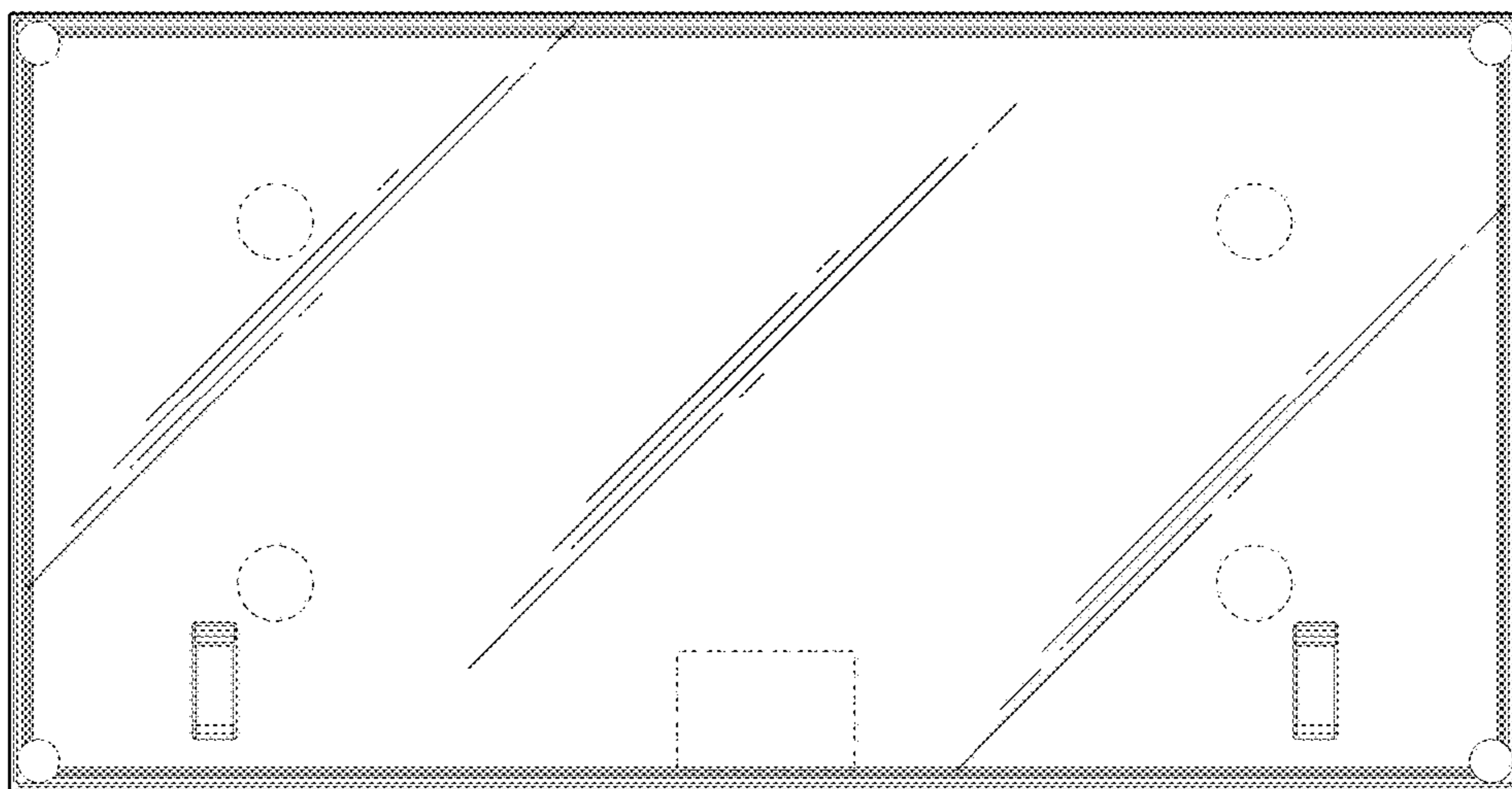


FIG. 7

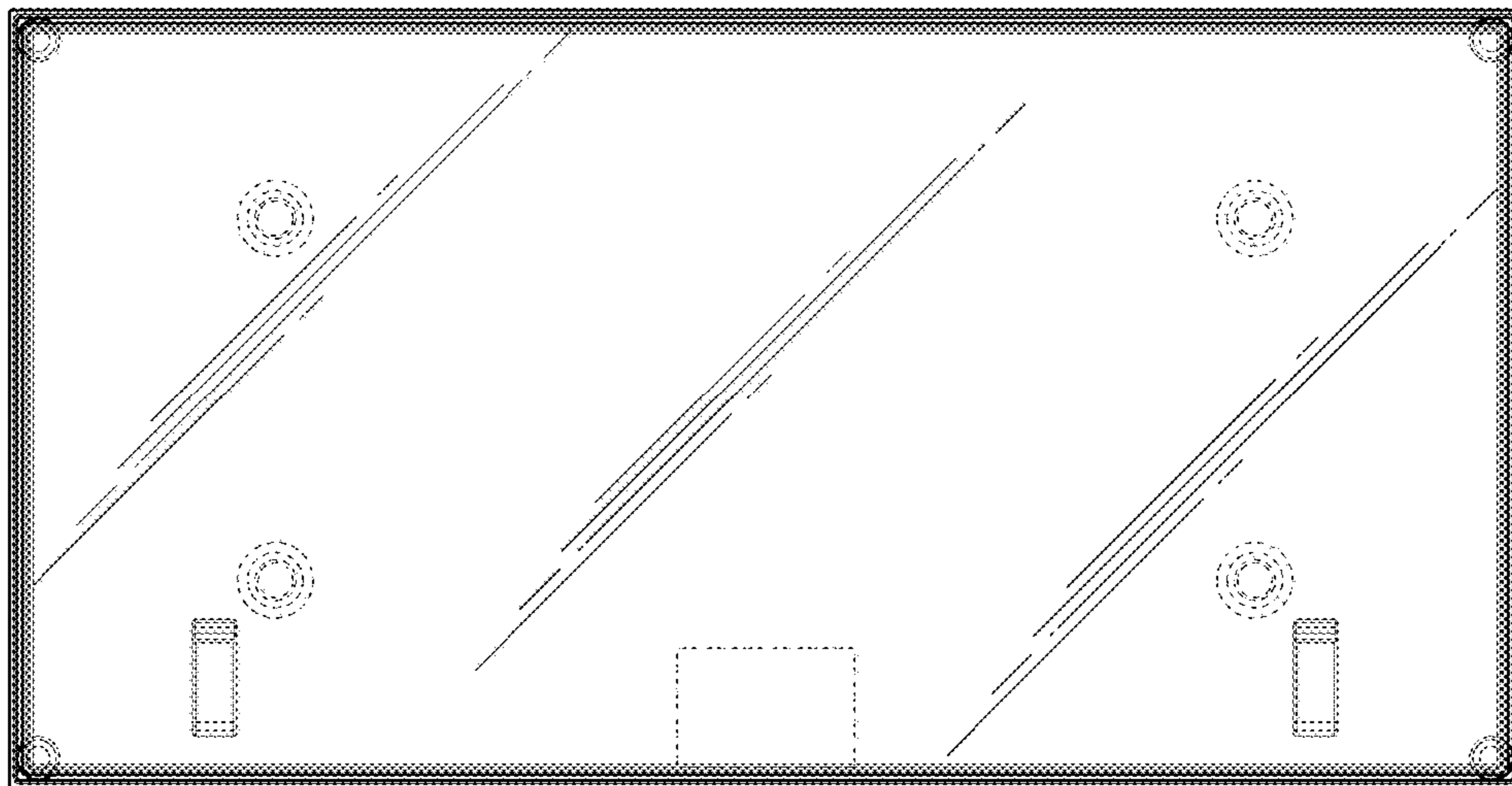


FIG. 8

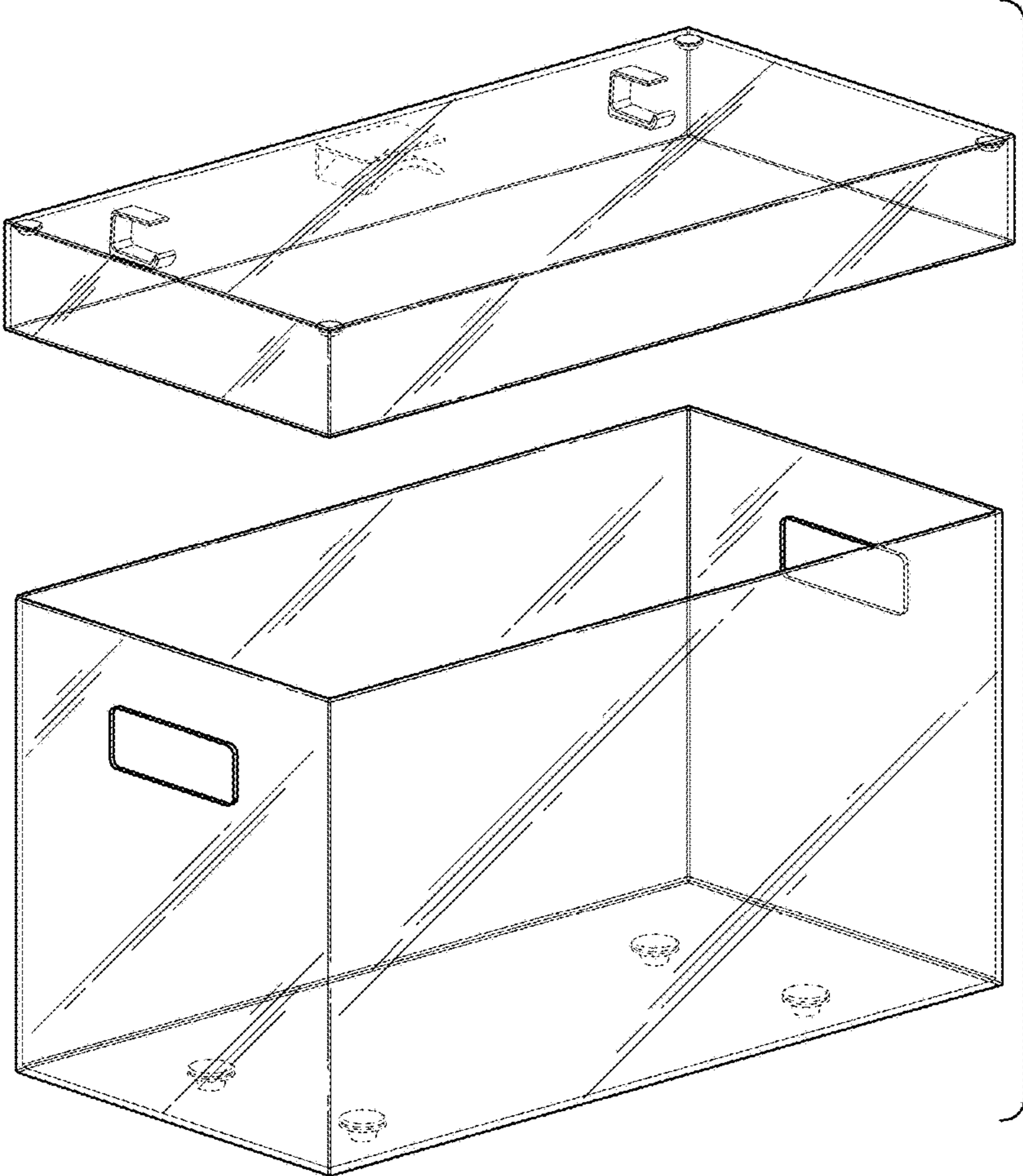


FIG. 9