



US00D854828S

(12) **United States Design Patent**  
**Dietsche**

(10) **Patent No.:** **US D854,828 S**

(45) **Date of Patent:** **\*\* Jul. 30, 2019**

(54) **STORAGE BOX WITH COVER**

(71) Applicant: **Swarovski Aktiengesellschaft**, Triesen (LI)

(72) Inventor: **Patrick Dietsche**, Diepoldsau (CH)

(73) Assignee: **SWAROVSKI AKTIENGESELLSCHAFT**, Triesen (LI)

(\*\*) Term: **15 Years**

(21) Appl. No.: **29/618,152**

(22) Filed: **Sep. 19, 2017**

**Related U.S. Application Data**

(62) Division of application No. 29/503,179, filed on Sep. 24, 2014, now Pat. No. Des. 798,597.

(51) **LOC (11) Cl.** ..... **03-01**

(52) **U.S. Cl.**  
USPC ..... **D3/294**

(58) **Field of Classification Search**  
USPC ..... D3/273, 274, 275, 276, 281, 284, 292, D3/294, 295, 296, 302, 905, 901, 903, D3/205, 203.1, 279, 282, 242; D27/172, D27/186, 187, 189, 191  
CPC .... A45C 5/04; A45C 11/16; A61J 1/00; A24F 15/00; A24F 15/005; A24F 15/02; A24F 15/08; A24F 15/20  
See application file for complete search history.

(56) **References Cited**

**U.S. PATENT DOCUMENTS**

D401,763 S \* 12/1998 Wolff ..... D3/273  
D474,340 S \* 5/2003 Vasudeva ..... D3/276  
D474,596 S \* 5/2003 Osiecki ..... D3/273  
D502,319 S \* 3/2005 Krebs ..... D3/323

D549,119 S \* 8/2007 Becker ..... D10/104.1  
D570,114 S \* 6/2008 Netz ..... D3/294  
D612,152 S \* 3/2010 Roesler ..... D3/294  
D617,987 S \* 6/2010 Wang ..... D3/294  
D624,315 S \* 9/2010 Amatrudo ..... D3/276  
D668,457 S \* 10/2012 Mimlitch, III ..... D3/294  
D677,051 S \* 3/2013 Wolff ..... D3/294  
D704,442 S \* 5/2014 Chen ..... D3/294  
D723,802 S \* 3/2015 Jones ..... D19/113  
D759,378 S \* 6/2016 West ..... D3/294  
D788,462 S \* 6/2017 Zhu ..... D3/294  
D789,086 S \* 6/2017 Lin ..... D3/294  
D798,597 S \* 10/2017 Dietsche ..... D3/294  
D809,298 S \* 2/2018 Zhu ..... D3/294  
D816,993 S \* 5/2018 Zhu ..... D3/294

\* cited by examiner

*Primary Examiner* — Holly E Thurman

(74) *Attorney, Agent, or Firm* — Baker & McKenzie LLP

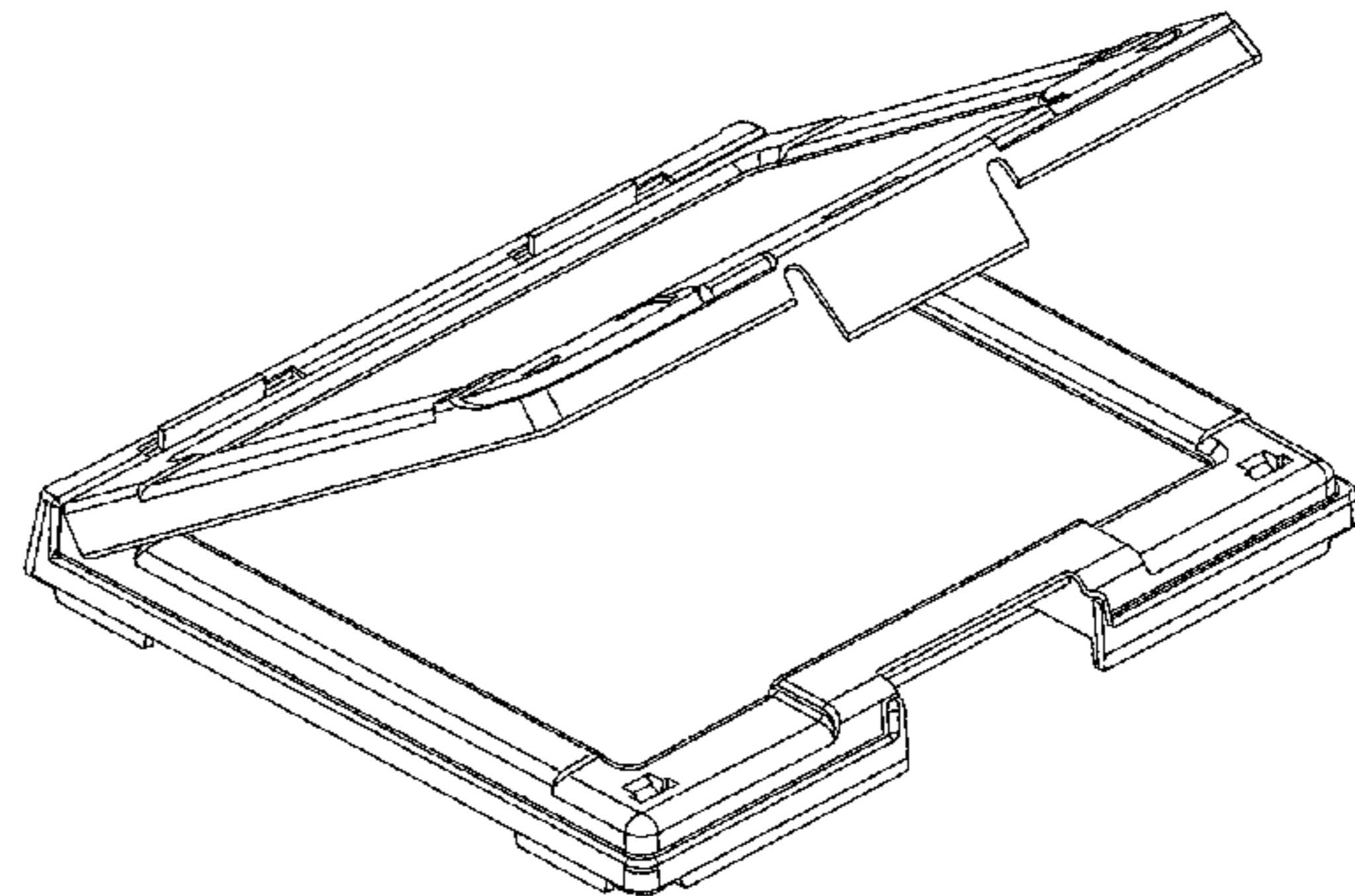
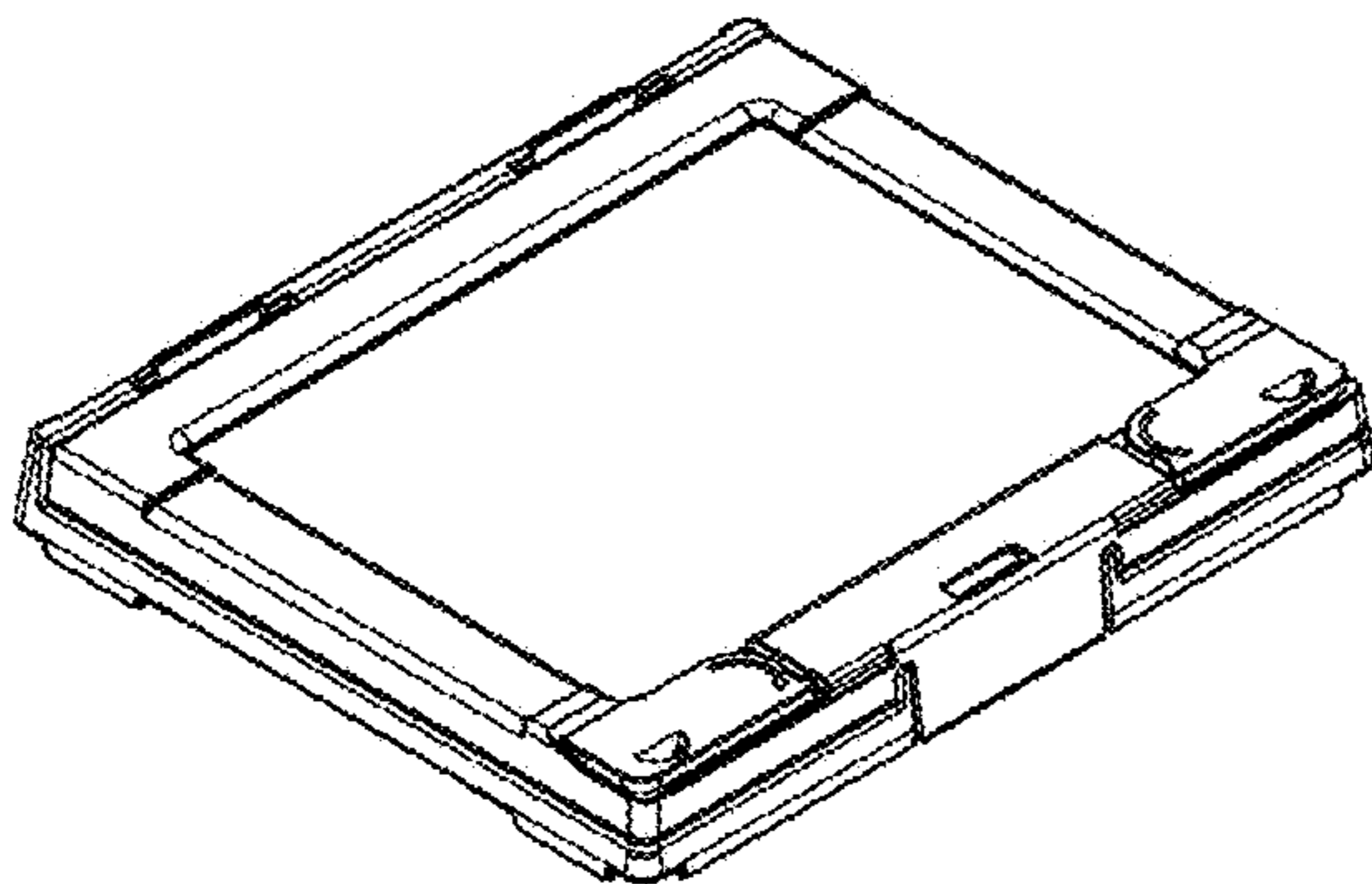
(57) **CLAIM**

The ornamental design for a storage box with cover, as shown and described.

**DESCRIPTION**

FIG. 1 is a top perspective view of the storage box showing my new design, with the cover shown in a closed condition; FIG. 2 is another top perspective view with the cover shown between a closed and an open condition thereof; FIG. 3 is another top perspective view with the cover shown in an open condition; FIG. 4 is a rear view of FIG. 1; FIG. 5 is a bottom view thereof; FIG. 6 is a left is a right side view thereof; FIG. 7 is a front view thereof; FIG. 8 is a left side view thereof; and, FIG. 9 is a top view thereof.  
The broken-line disclosure of elements is understood to represent portions of the article in which the design is embodied, but which form no part of the claimed design.

**1 Claim, 9 Drawing Sheets**



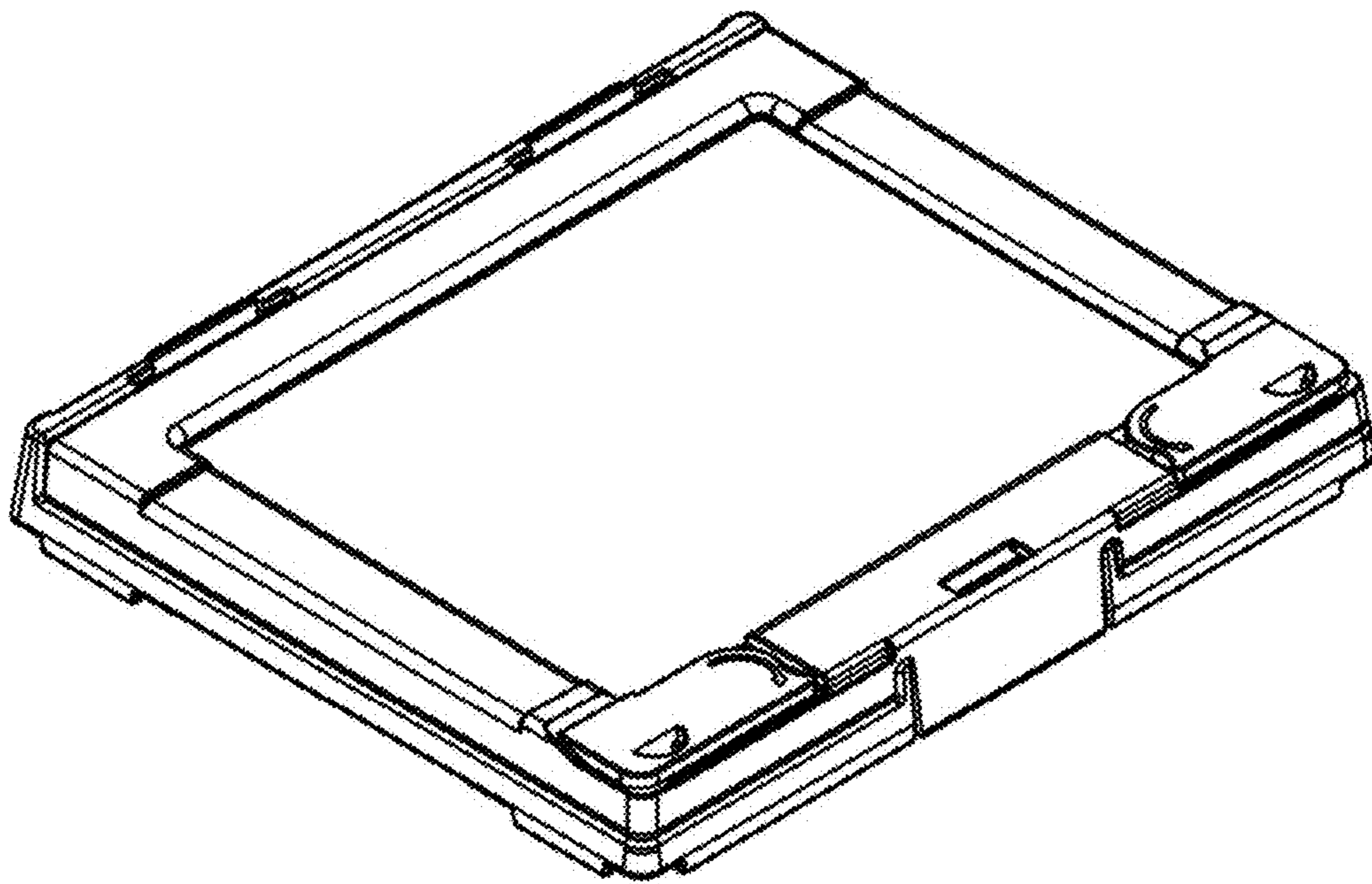


FIG. 1

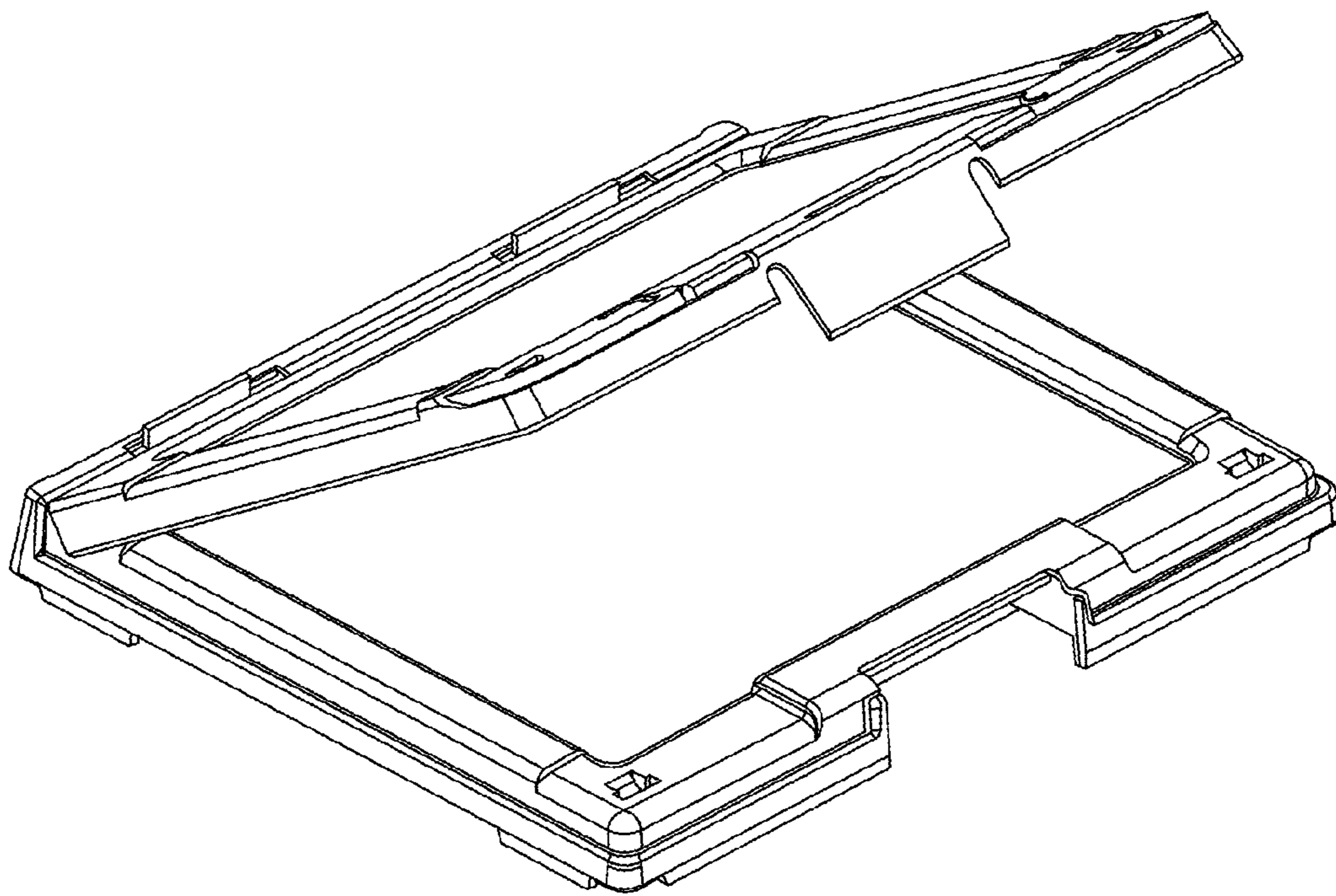


FIG. 2

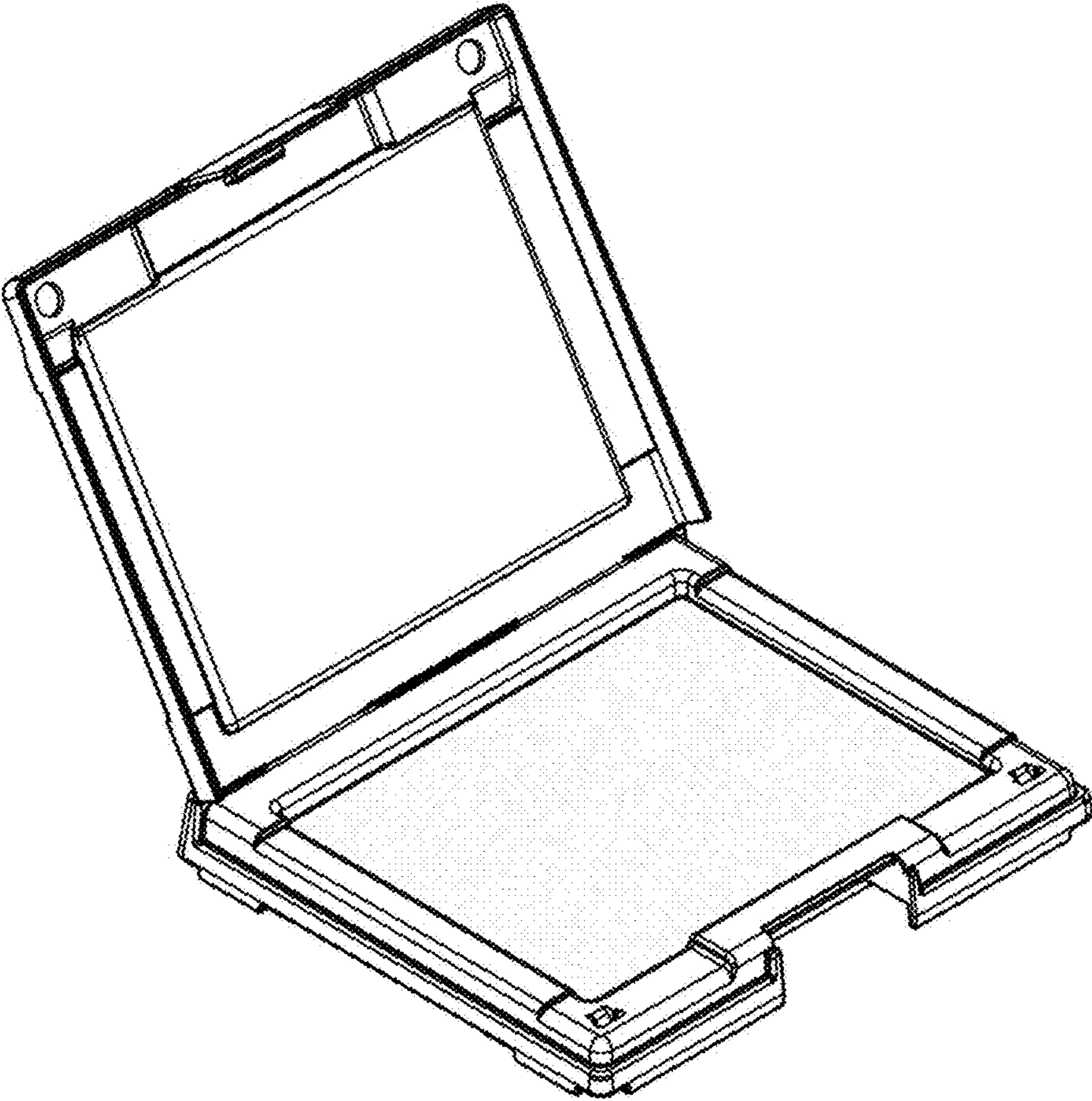


Fig. 3

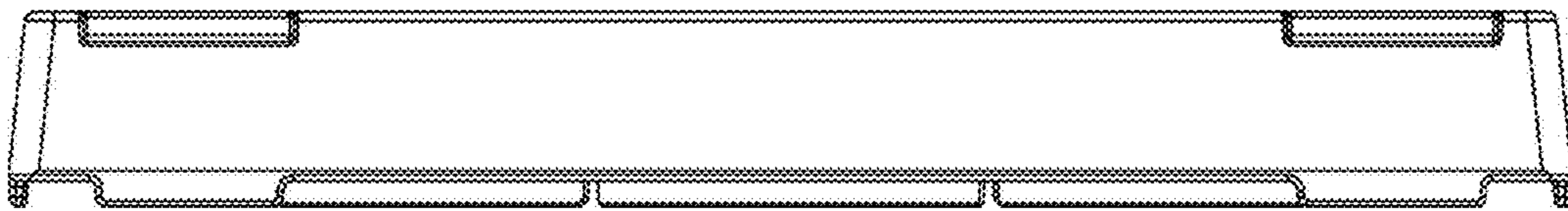


Fig. 4

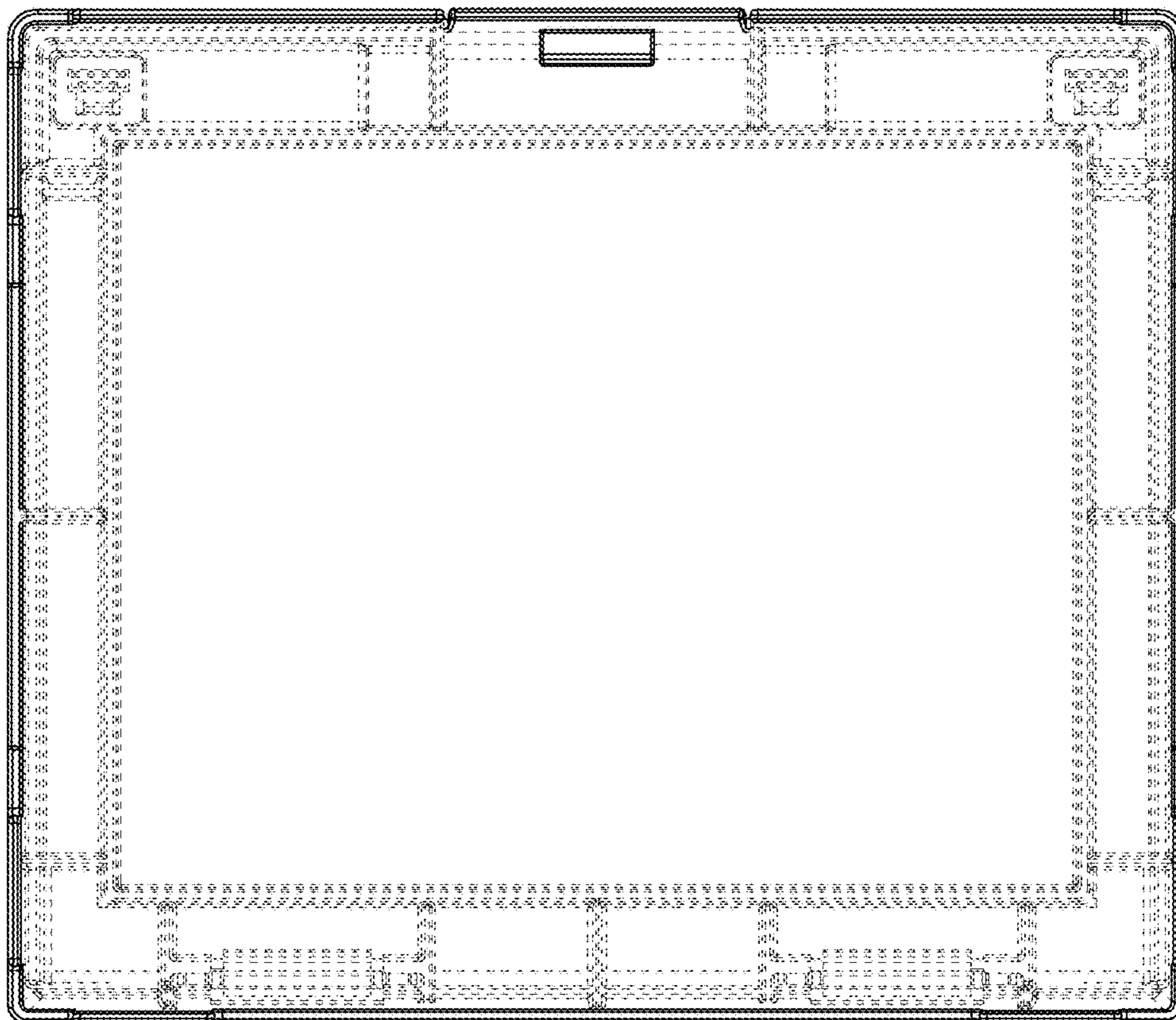


FIG.5

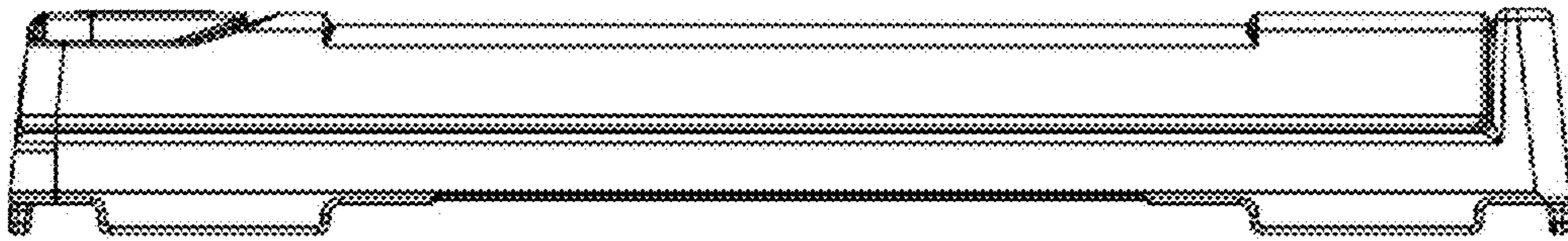


Fig. 6



Fig. 7



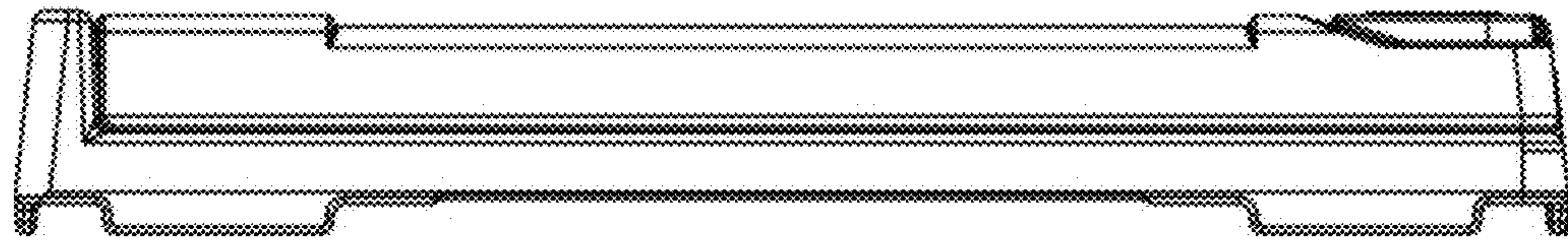


Fig. 8

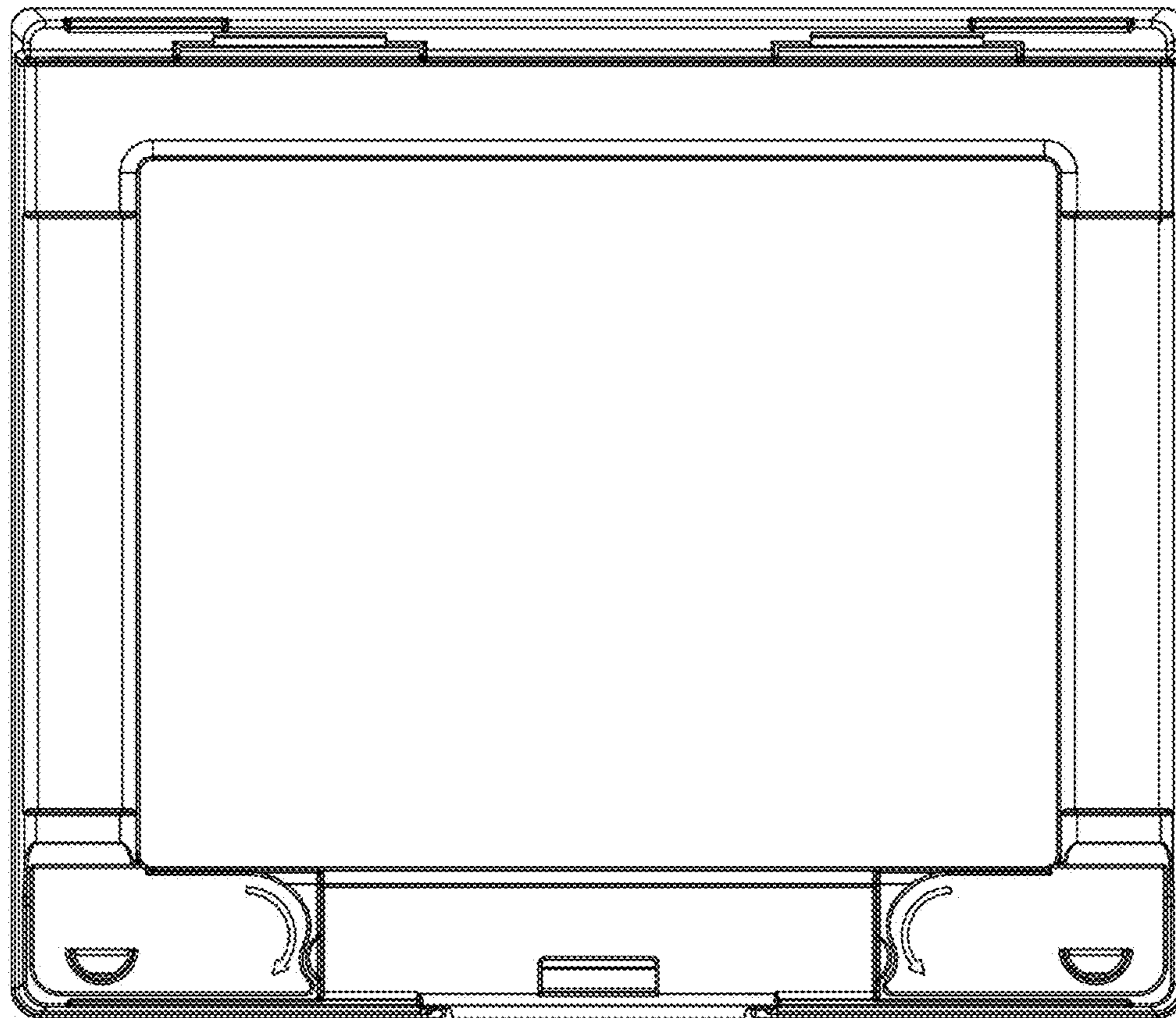


Fig. 9