



US00D854826S

(12) **United States Design Patent**
Tonelli

(10) **Patent No.:** **US D854,826 S**
(45) **Date of Patent:** **** Jul. 30, 2019**

(54) **TRUNK**

(71) Applicant: **G.T. LINE S.R.L.**, Valsamoggia,
Frazione Crespellano (IT)

(72) Inventor: **Massimo Tonelli**, Casalecchio di Reno
(IT)

(73) Assignee: **G. T. LINE S. R. L.**, Valsamoggia,
Frazione Crespellano (IT)

(**) Term: **15 Years**

(21) Appl. No.: **29/620,516**

(22) Filed: **Feb. 1, 2017**

Related U.S. Application Data

(62) Division of application No. 29/505,011, filed on Apr.
20, 2015, now Pat. No. Des. 833,743.

(30) **Foreign Application Priority Data**

Oct. 22, 2014 (EM) 002562322

(51) **LOC (11) Cl.** **03-01**

(52) **U.S. Cl.**
USPC **D3/279; D3/262; D3/905**

(58) **Field of Classification Search**
USPC D3/269, 272, 273, 274, 276, 277, 279,
D3/280, 281, 283, 284, 285, 289, 302,
D3/900, 902, 904, 262

(Continued)

(56) **References Cited**

U.S. PATENT DOCUMENTS

D439,407 S * 3/2001 Parker D3/276
D441,954 S * 5/2001 Parker D3/273

(Continued)

OTHER PUBLICATIONS

Explorer Cases, "https://www.explorercases.com/en/products/10826/
10826-be-copolymer-polypropylene-waterproof-case/", Accessed Jul.

3, 2018. (https://www.explorercases.com/en/products/10826/10826-
be-copolymer-polypropylene-waterproof-case/).*

Primary Examiner — Jennifer Rivard

Assistant Examiner — April Rivas

(74) *Attorney, Agent, or Firm* — Cantor Colburn LLP

(57) **CLAIM**

I claim the ornamental design for a trunk, as shown and
described.

DESCRIPTION

FIG. 1 is a perspective view of a trunk showing my new
design in a first embodiment;

FIG. 2 is a front view thereof;

FIG. 3 is a rear view thereof;

FIG. 4 is a left side view thereof;

FIG. 5 is a right side view thereof;

FIG. 6 is a top view thereof;

FIG. 7 is a bottom view thereof;

FIG. 8 is a perspective view of a trunk showing my new
design in a second embodiment;

FIG. 9 is a front view thereof;

FIG. 10 is a rear view thereof;

FIG. 11 is a left side view thereof;

FIG. 12 is a right side view thereof;

FIG. 13 is a top view thereof;

FIG. 14 is a bottom view thereof;

FIG. 15 is a perspective view of a trunk showing my new
design in a third embodiment;

FIG. 16 is a front view thereof;

FIG. 17 is a rear view thereof;

FIG. 18 is a left side view thereof;

FIG. 19 is a right side view thereof;

FIG. 20 is a top view thereof;

FIG. 21 is a bottom view thereof;

FIG. 22 is a perspective view of a trunk showing my new
design in a fourth embodiment;

FIG. 23 is a front view thereof;

FIG. 24 is a rear view thereof;

FIG. 25 is a left side view thereof;

FIG. 26 is a right side view thereof;

FIG. 27 is a top view thereof; and,

(Continued)

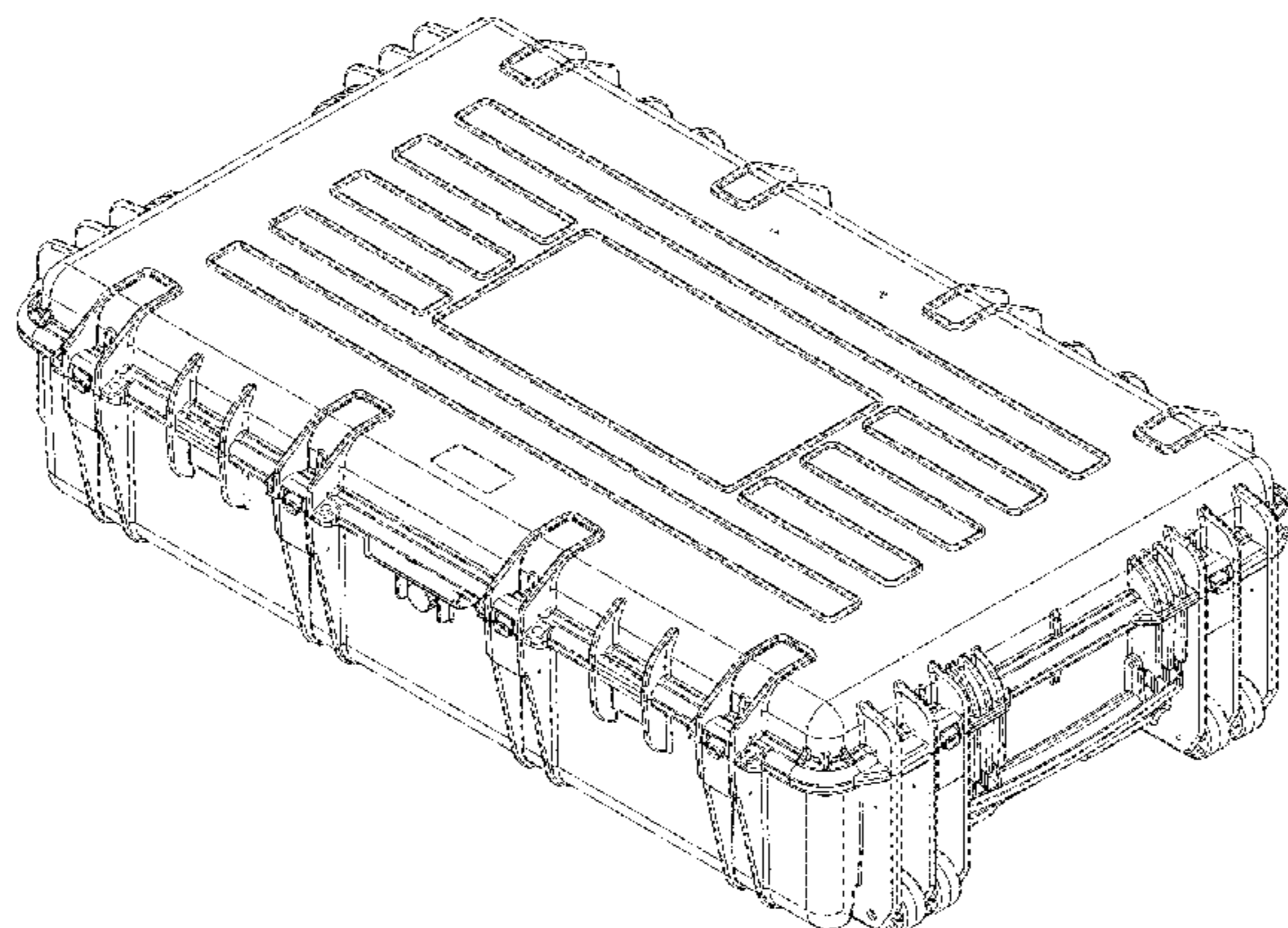


FIG. 28 is a bottom view thereof.
The broken lines illustrate portions of the trunk and form no part of the claimed design.

1 Claim, 28 Drawing Sheets

(58) **Field of Classification Search**

CPC . B25H 3/00; B25H 3/02; B25H 3/003; B25H
3/006; B25H 3/021; B25H 3/022; B25H
3/025; A45C 5/00; A45C 5/005; A45C
5/03; A45C 2005/037; A45C 5/08; A45C
2005/10

See application file for complete search history.

(56) **References Cited**

U.S. PATENT DOCUMENTS

D462,519	S	*	9/2002	Gaydos	D3/276
D467,424	S	*	12/2002	Hardigg	D3/276
D467,425	S	*	12/2002	Hardigg	D3/276
D467,426	S	*	12/2002	Hardigg	D3/276
6,953,126	B2	*	10/2005	Parker	A45C 13/008 220/4.22
D520,237	S	*	5/2006	Cheng	D3/276
7,540,363	B2	*	6/2009	Tonelli	A45F 3/14 190/115
D711,105	S	*	8/2014	Brunner	D3/281
D727,620	S	*	4/2015	Tonelli	D3/276
D759,971	S	*	6/2016	Riddiford	D3/279
D811,744	S	*	3/2018	Ballou	D3/279

* cited by examiner

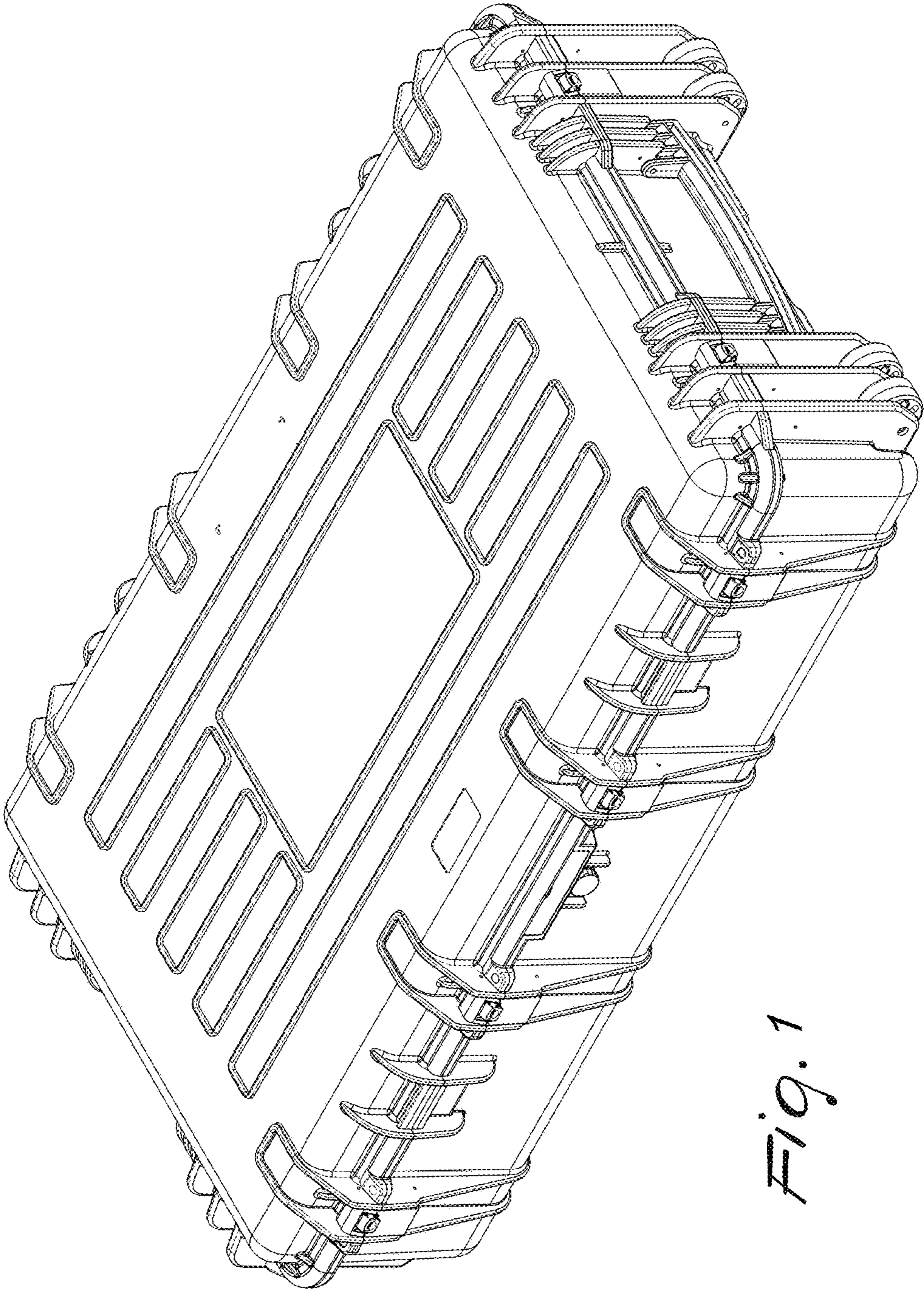


Fig. 1

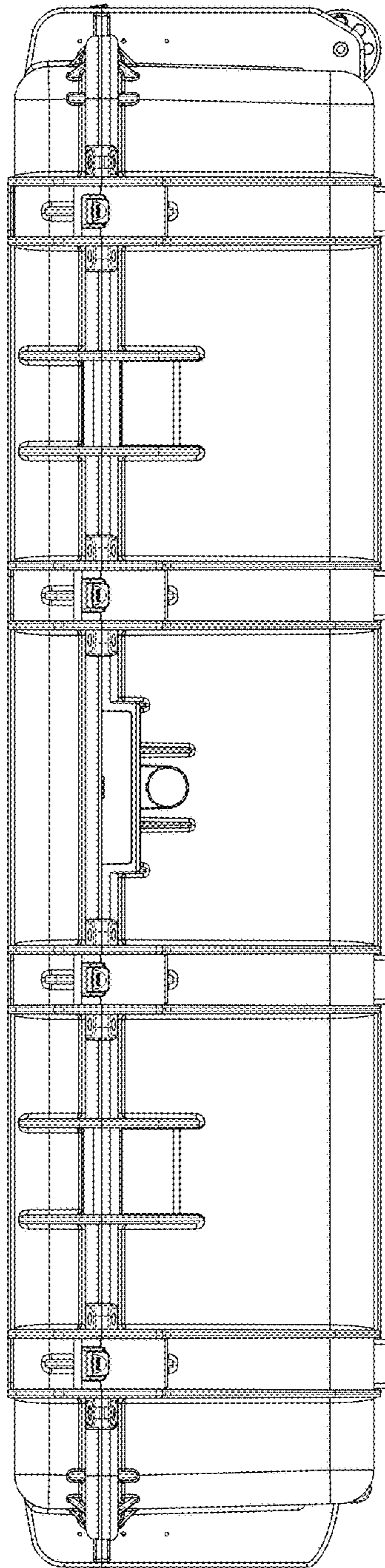


Fig. 2

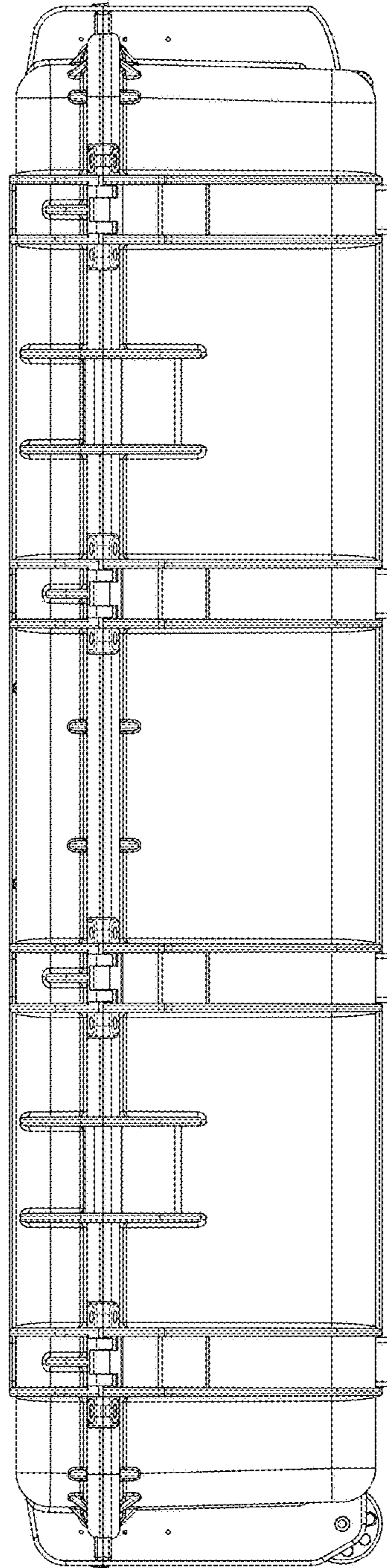


Fig. 3

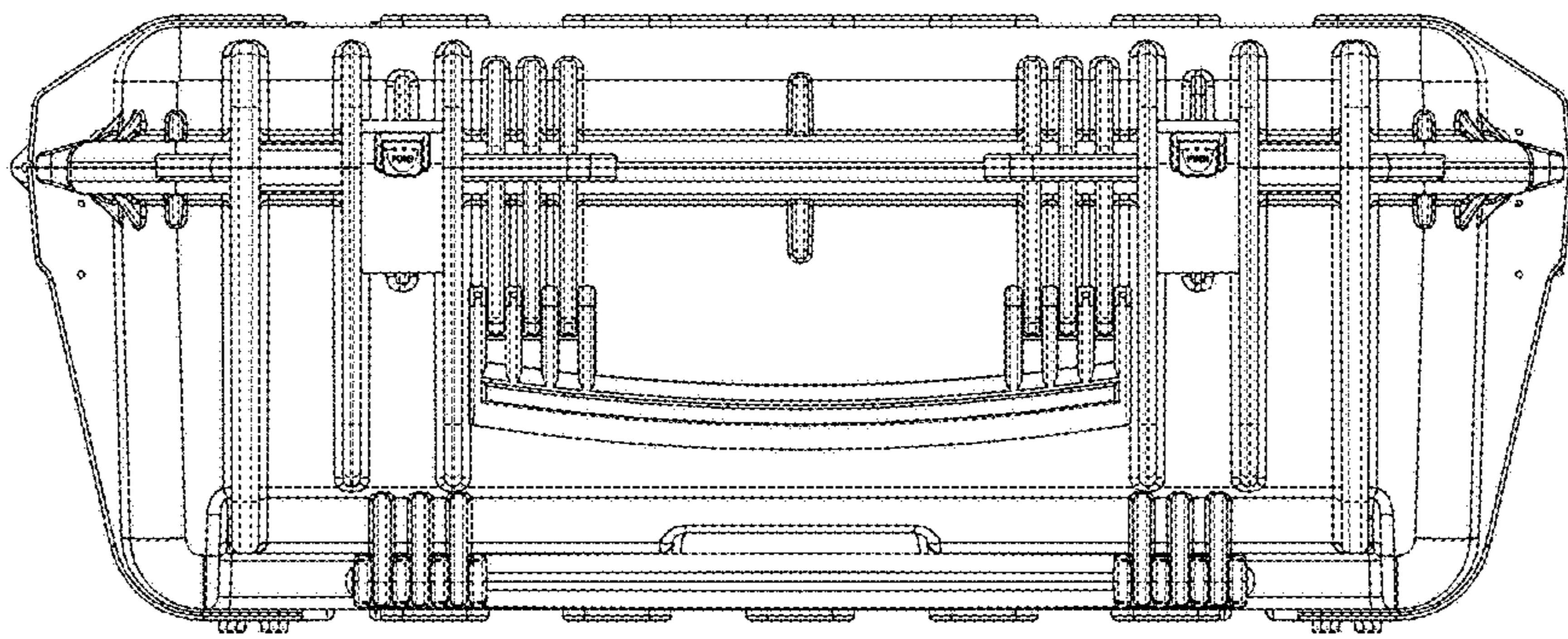


Fig. 4

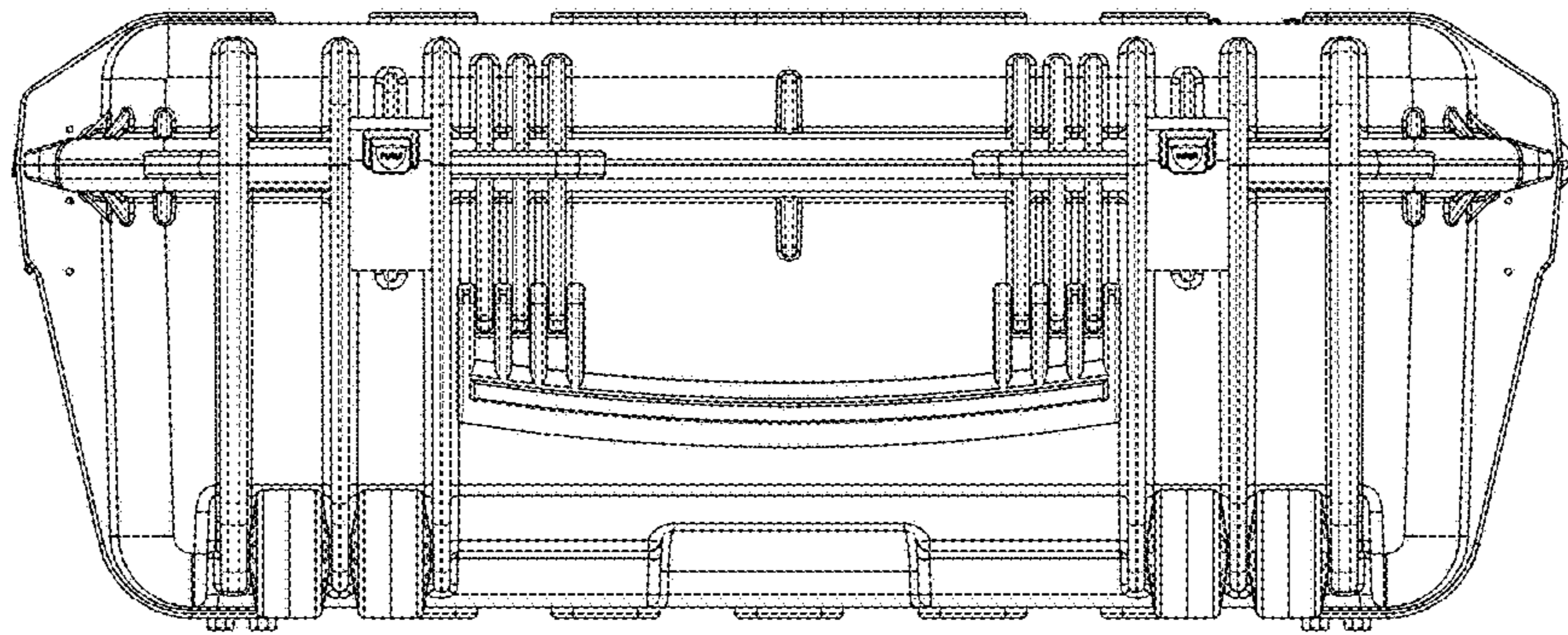


Fig. 5

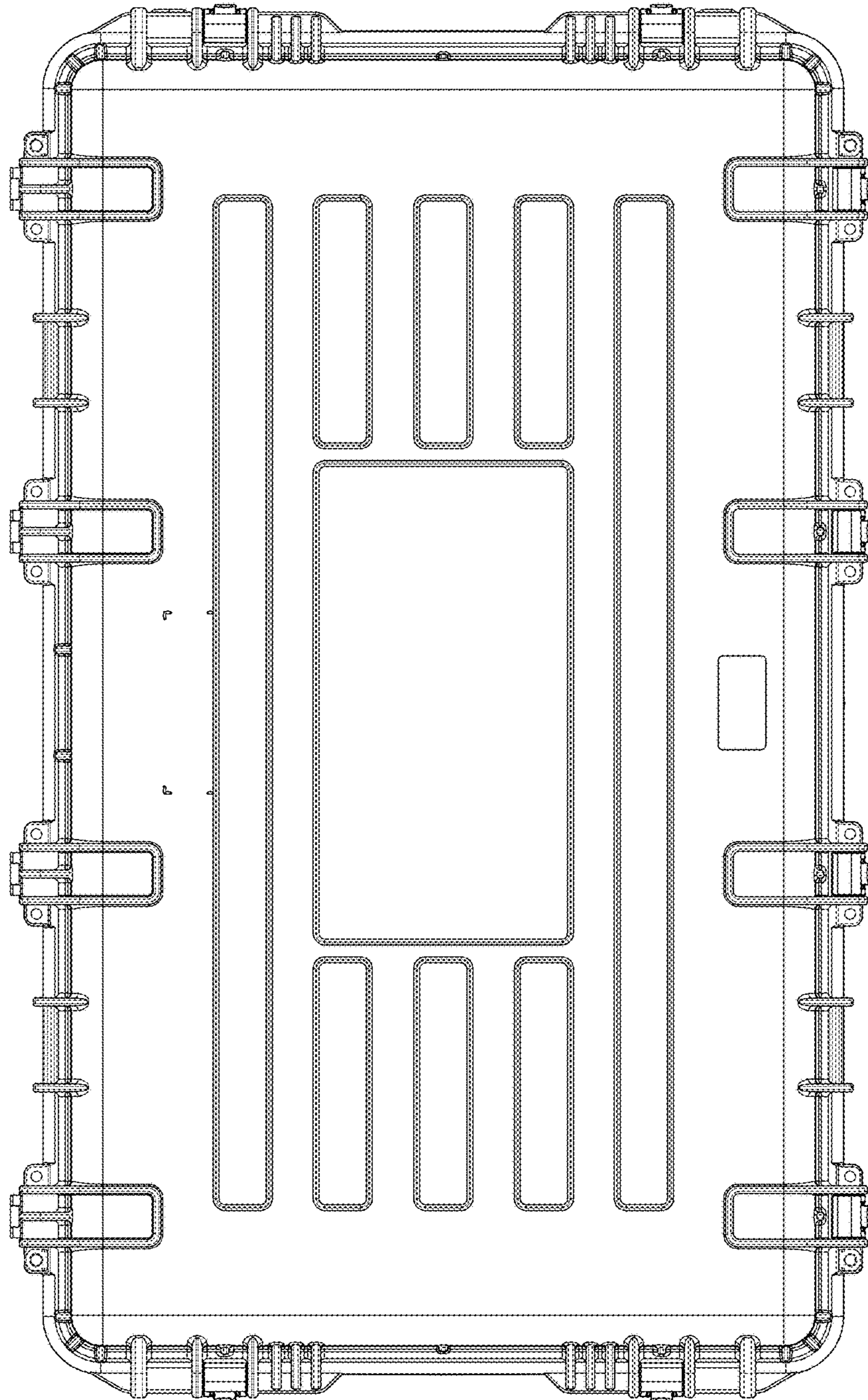


Fig. 6

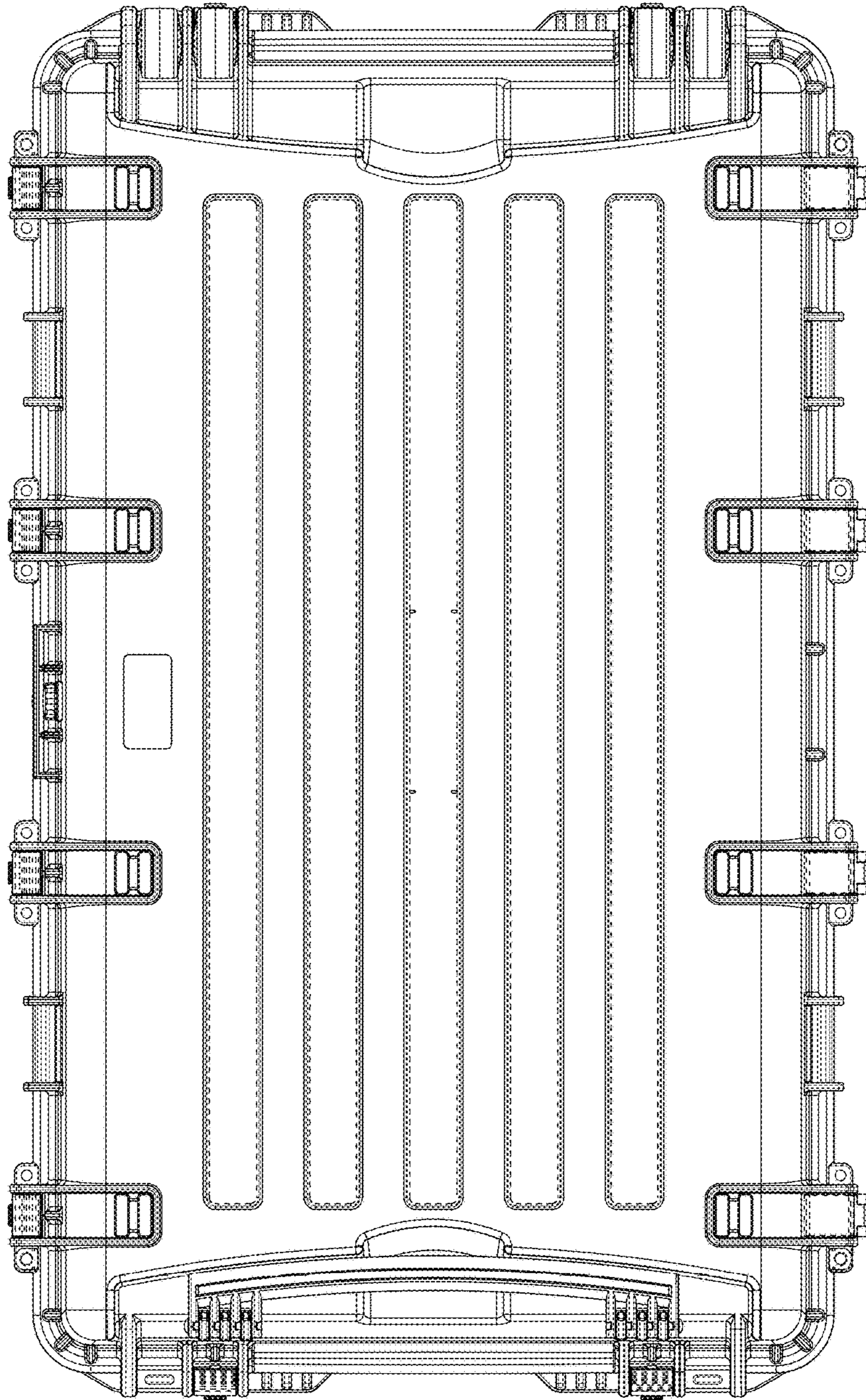


Fig. 7

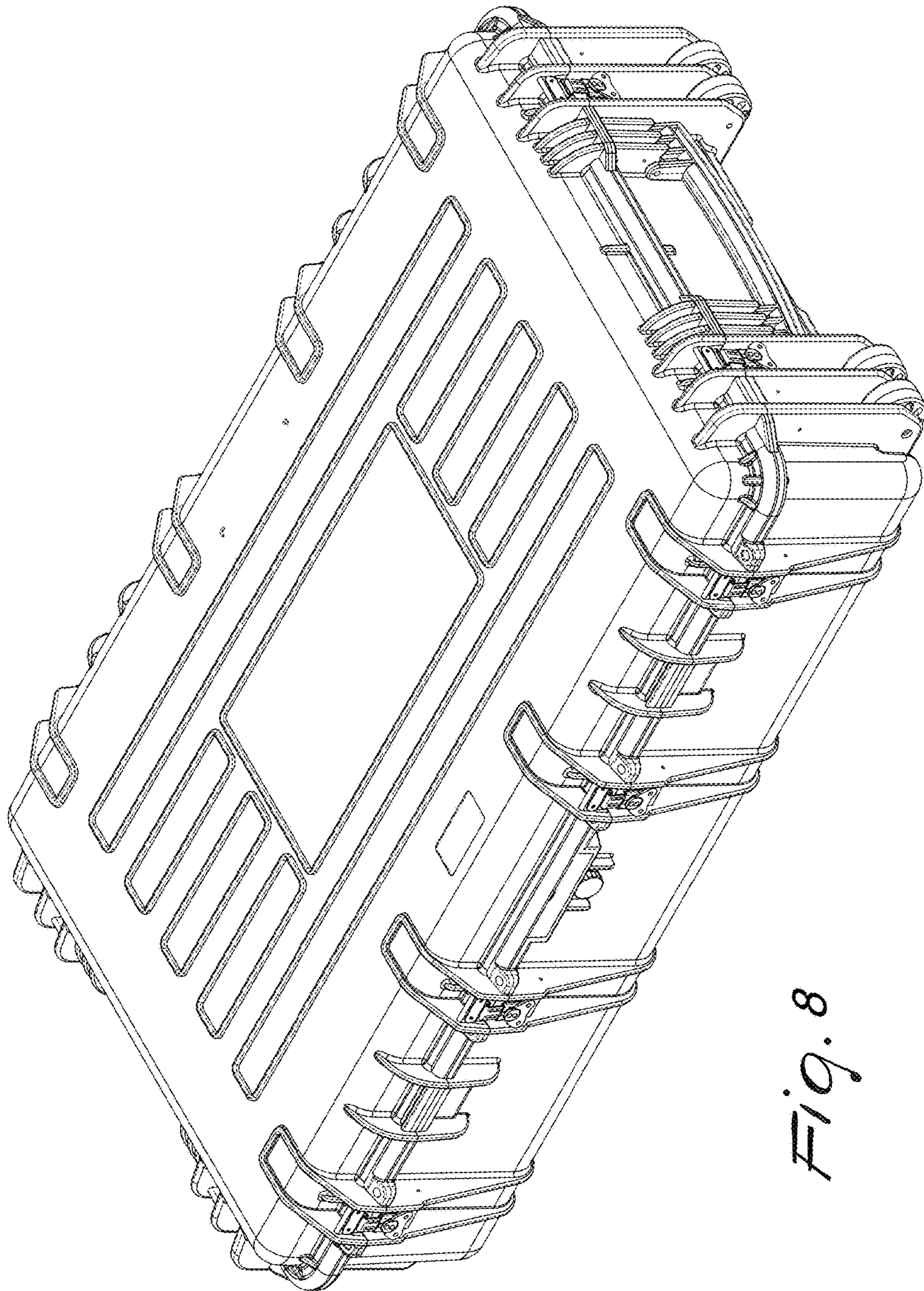


Fig. 8

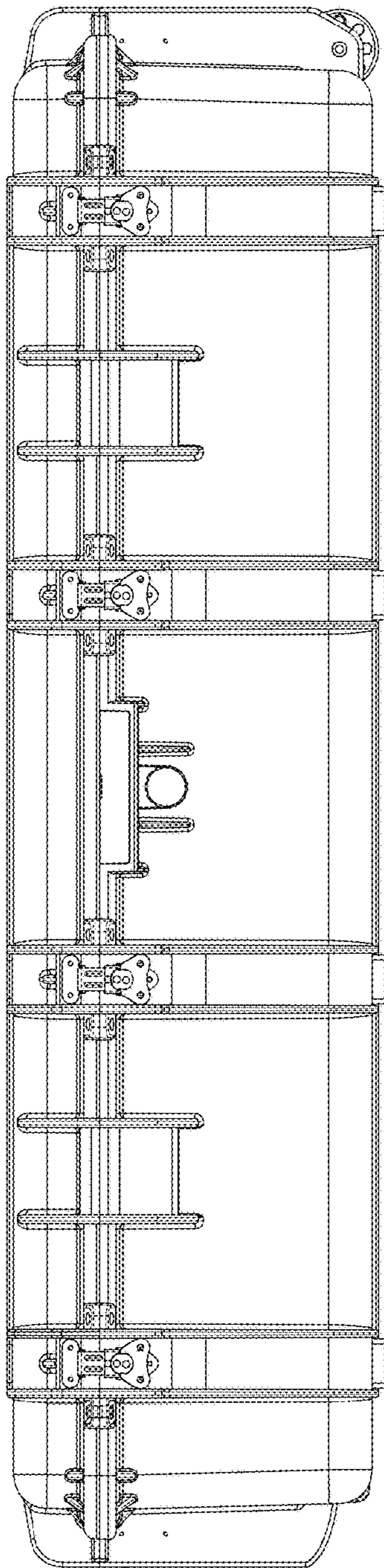


Fig. 9

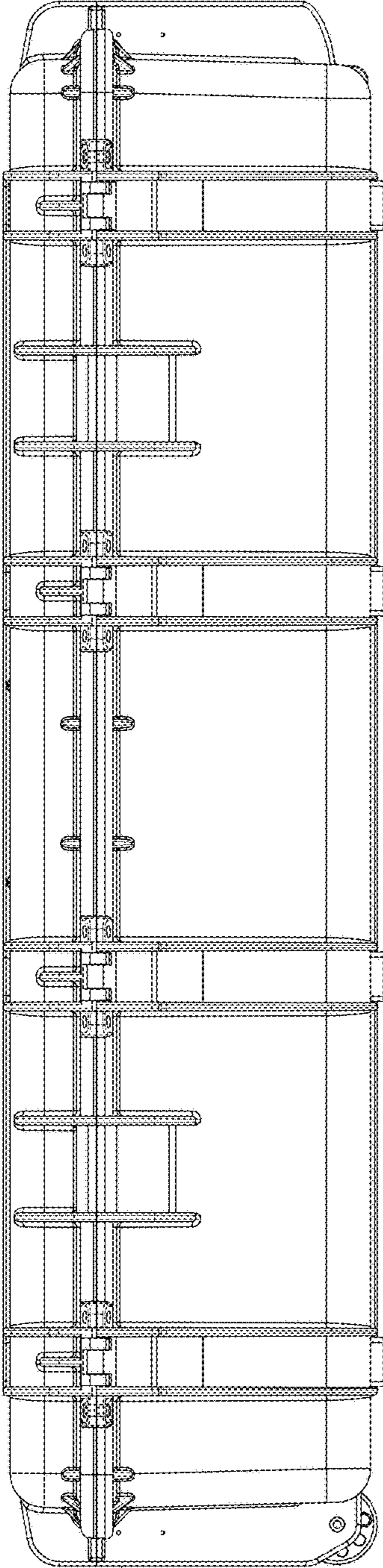


Fig. 10

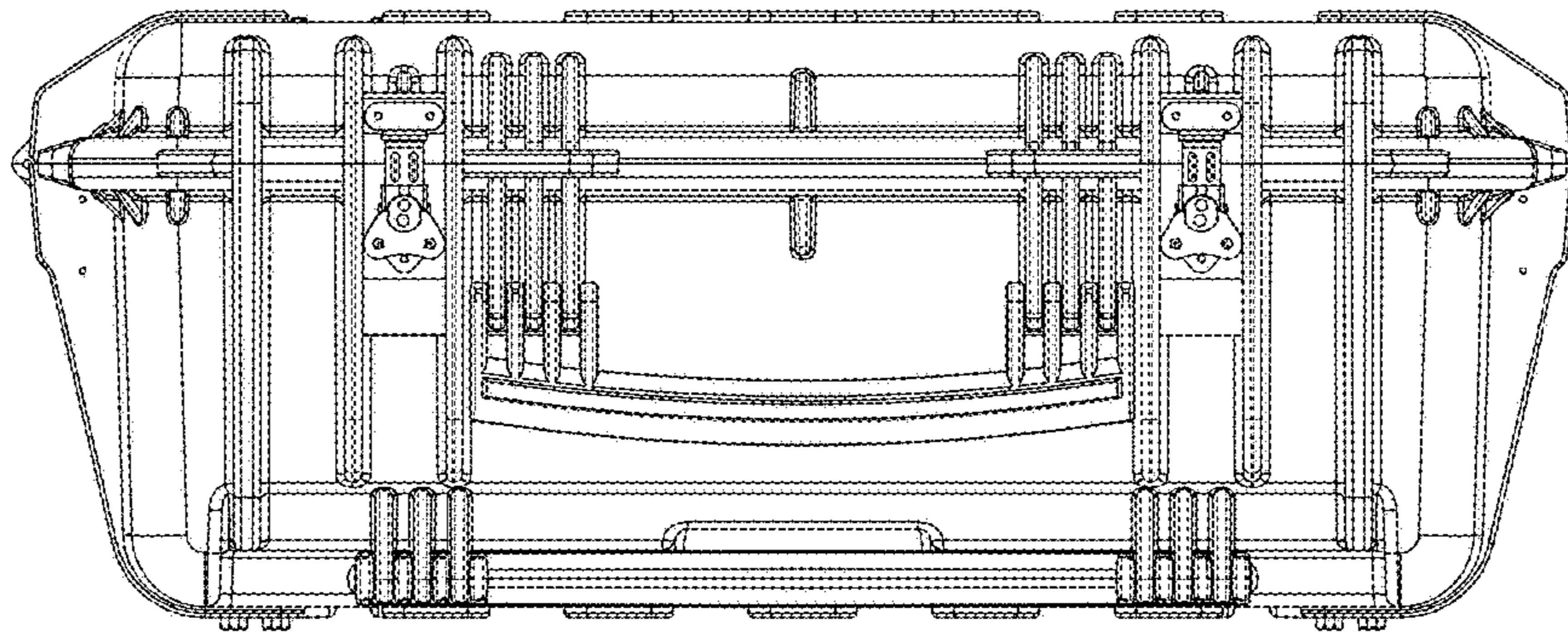


Fig. 11

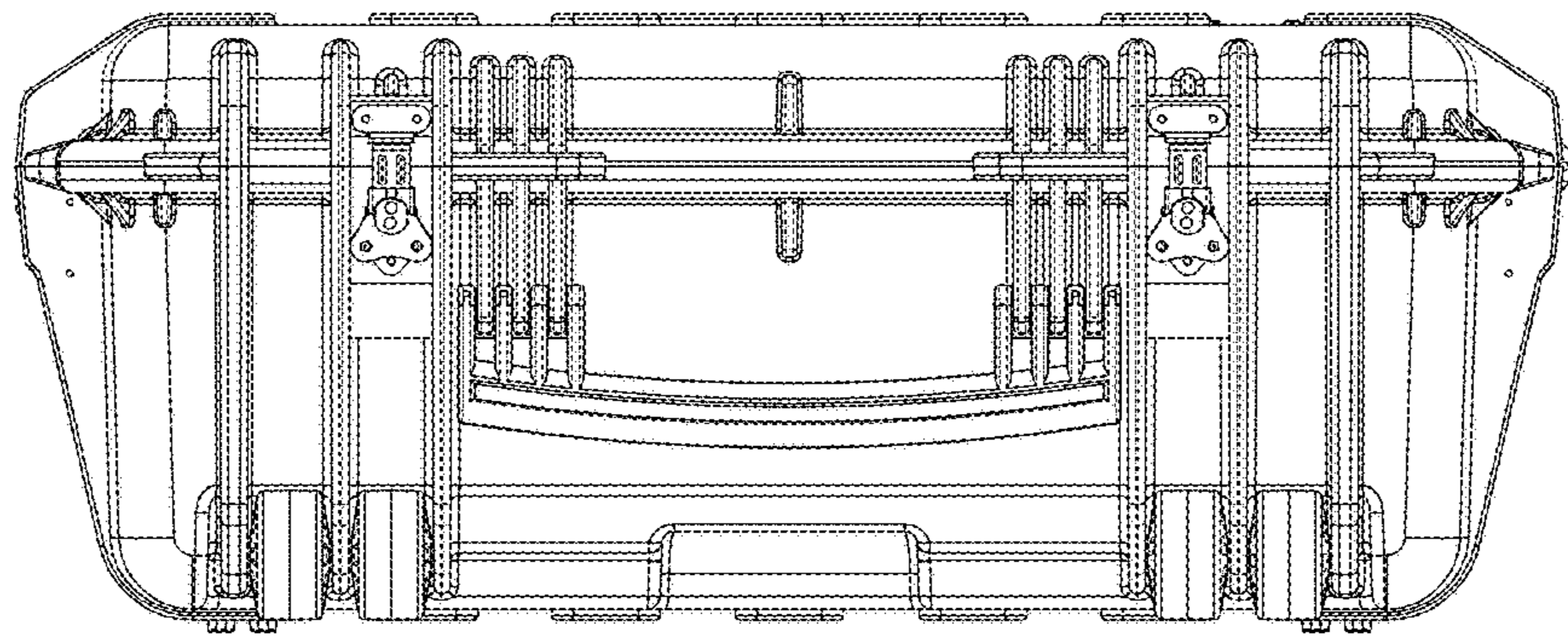


Fig. 12

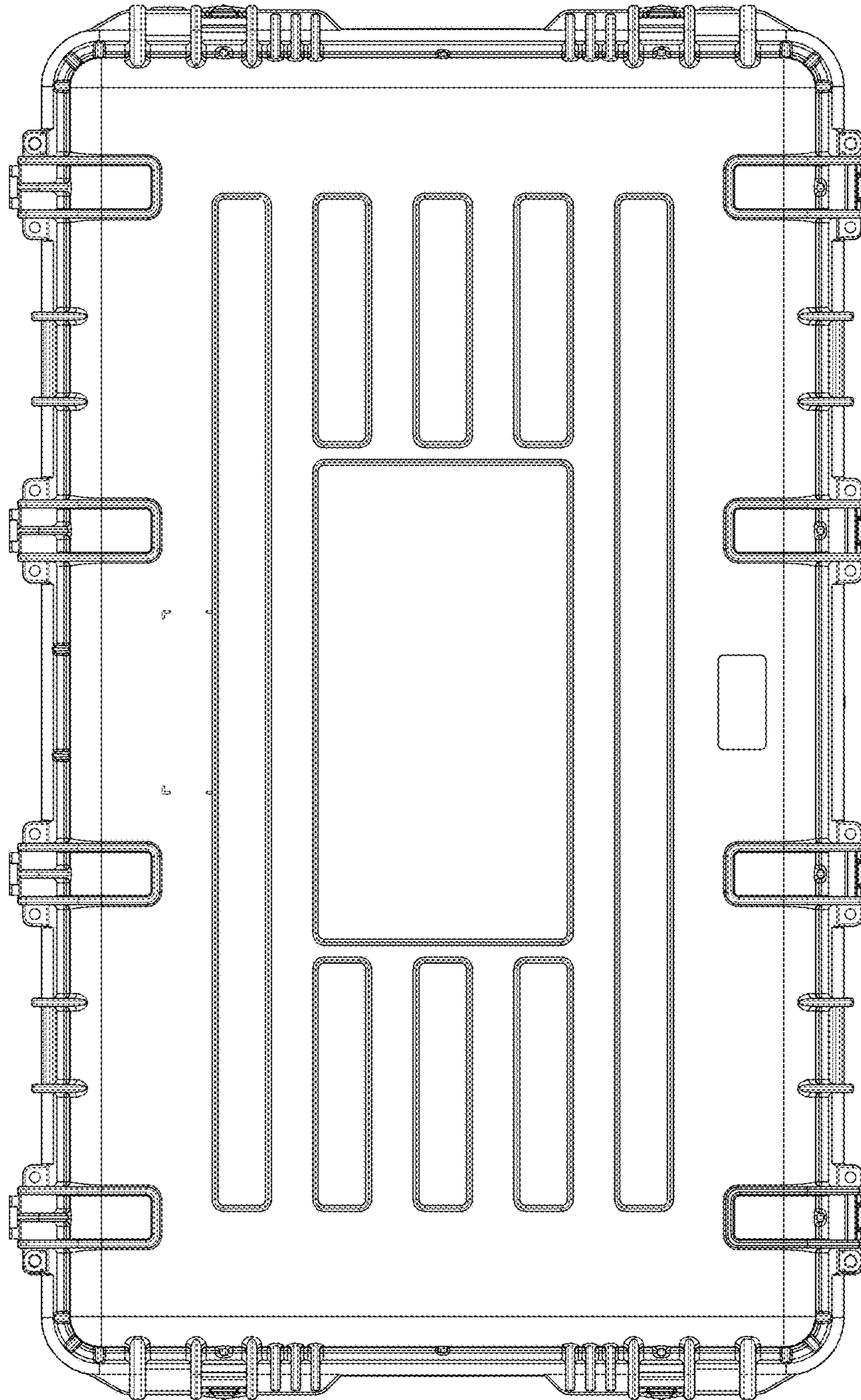


Fig. 13

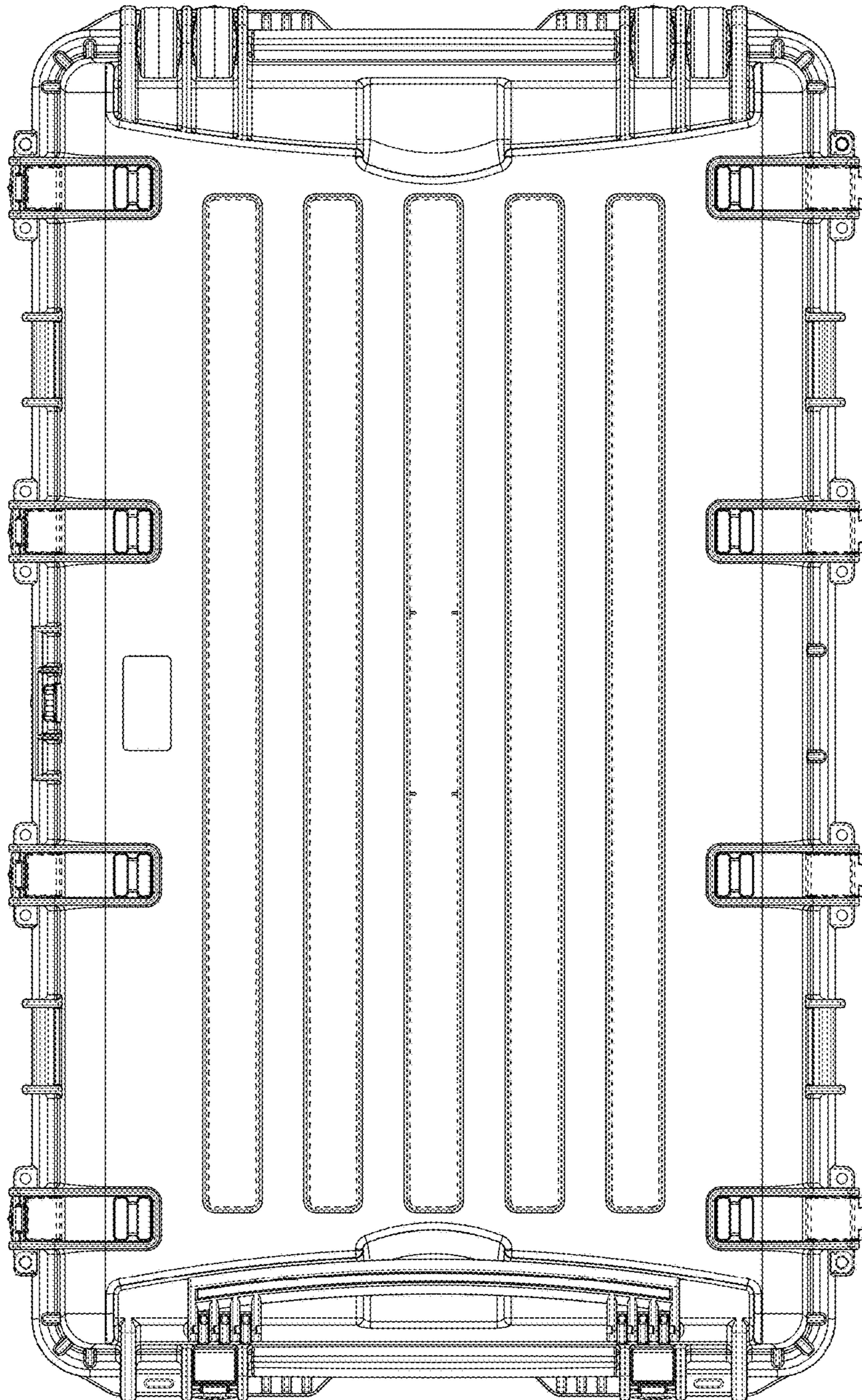


Fig. 14

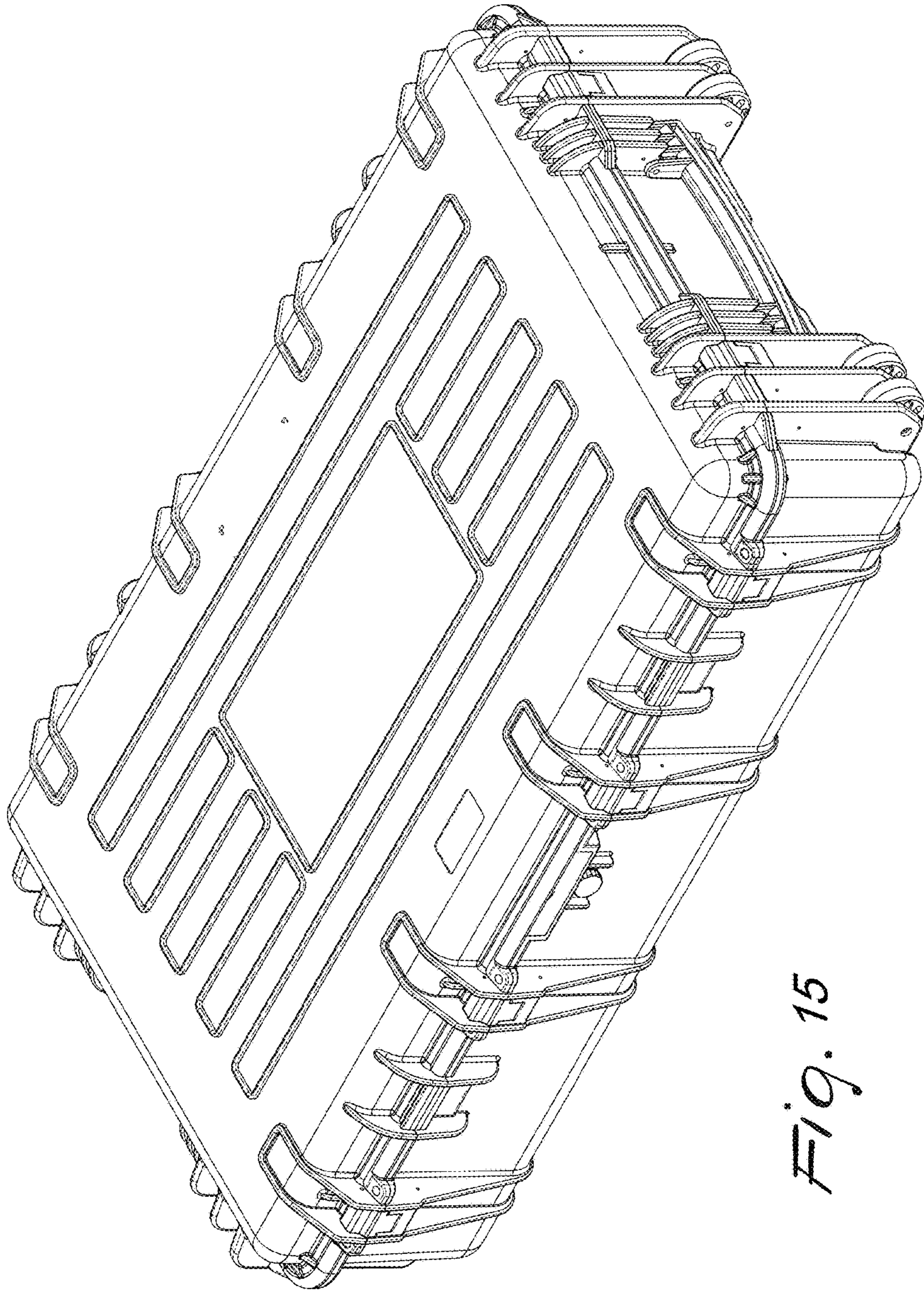


Fig. 15

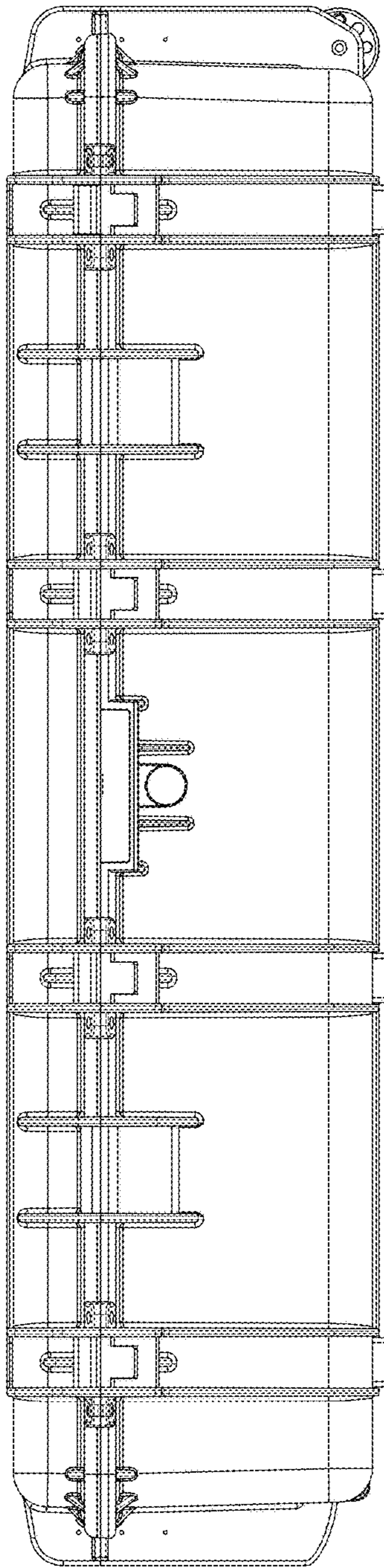


Fig. 16

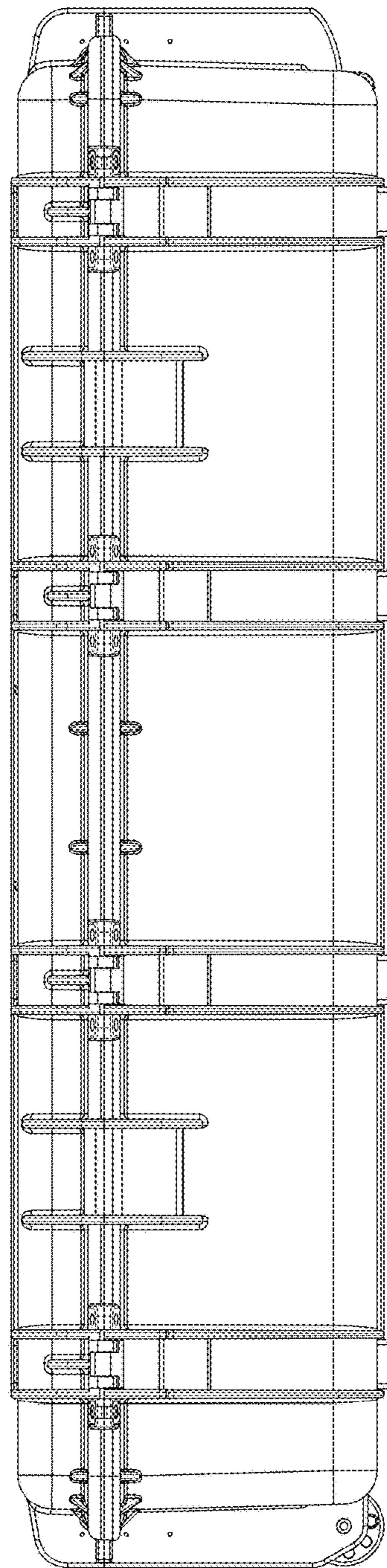


Fig. 17

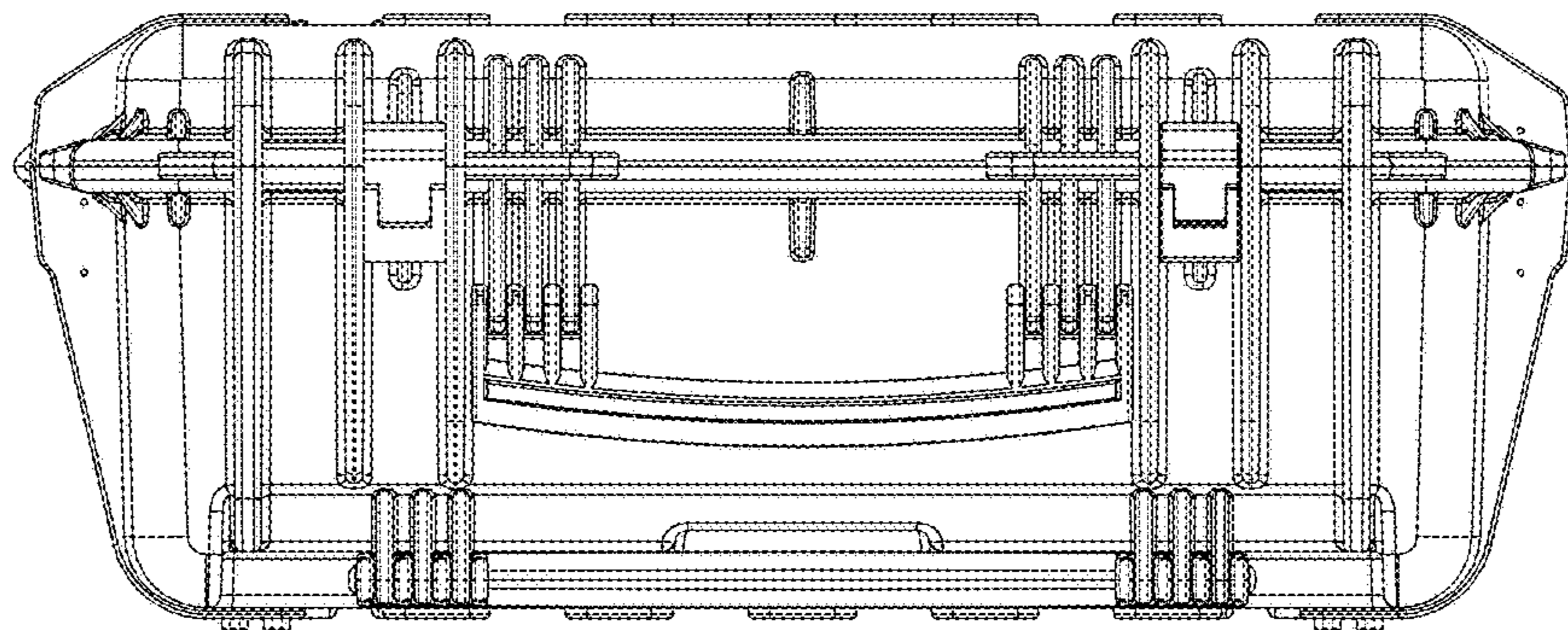


Fig. 18

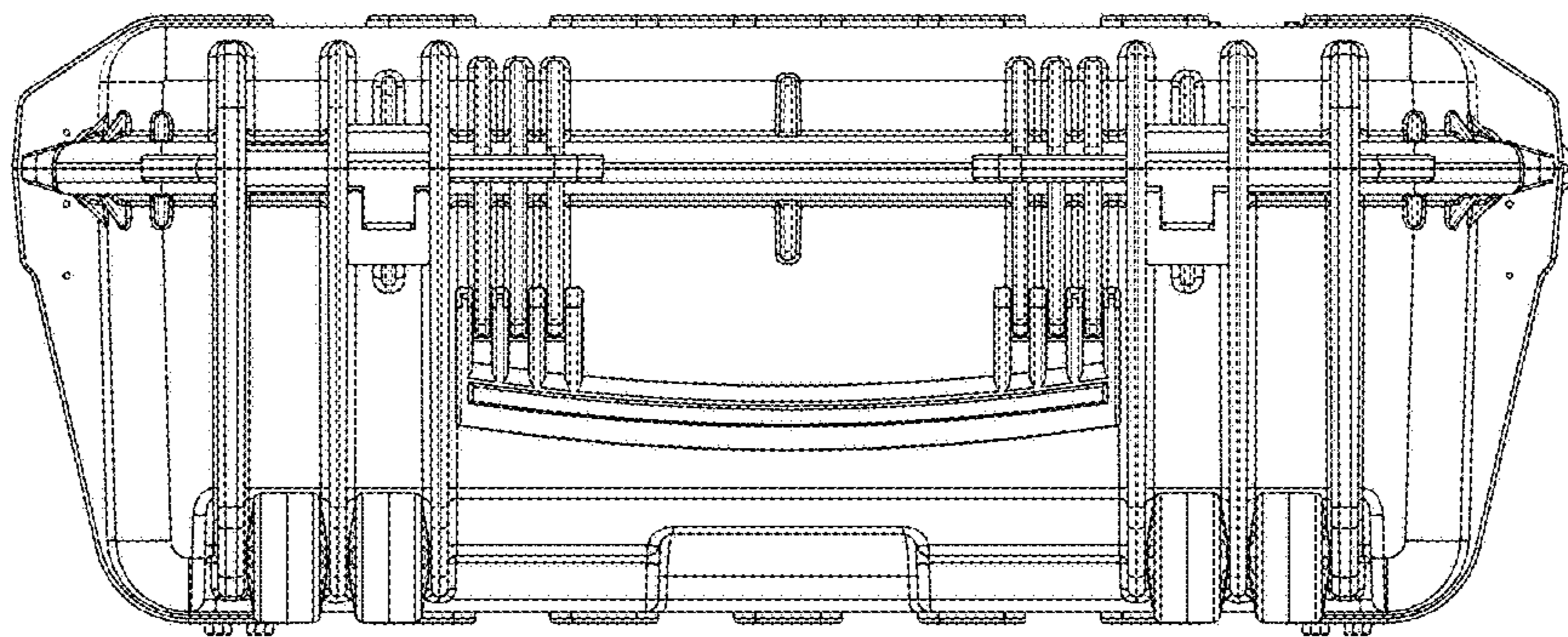


Fig. 19

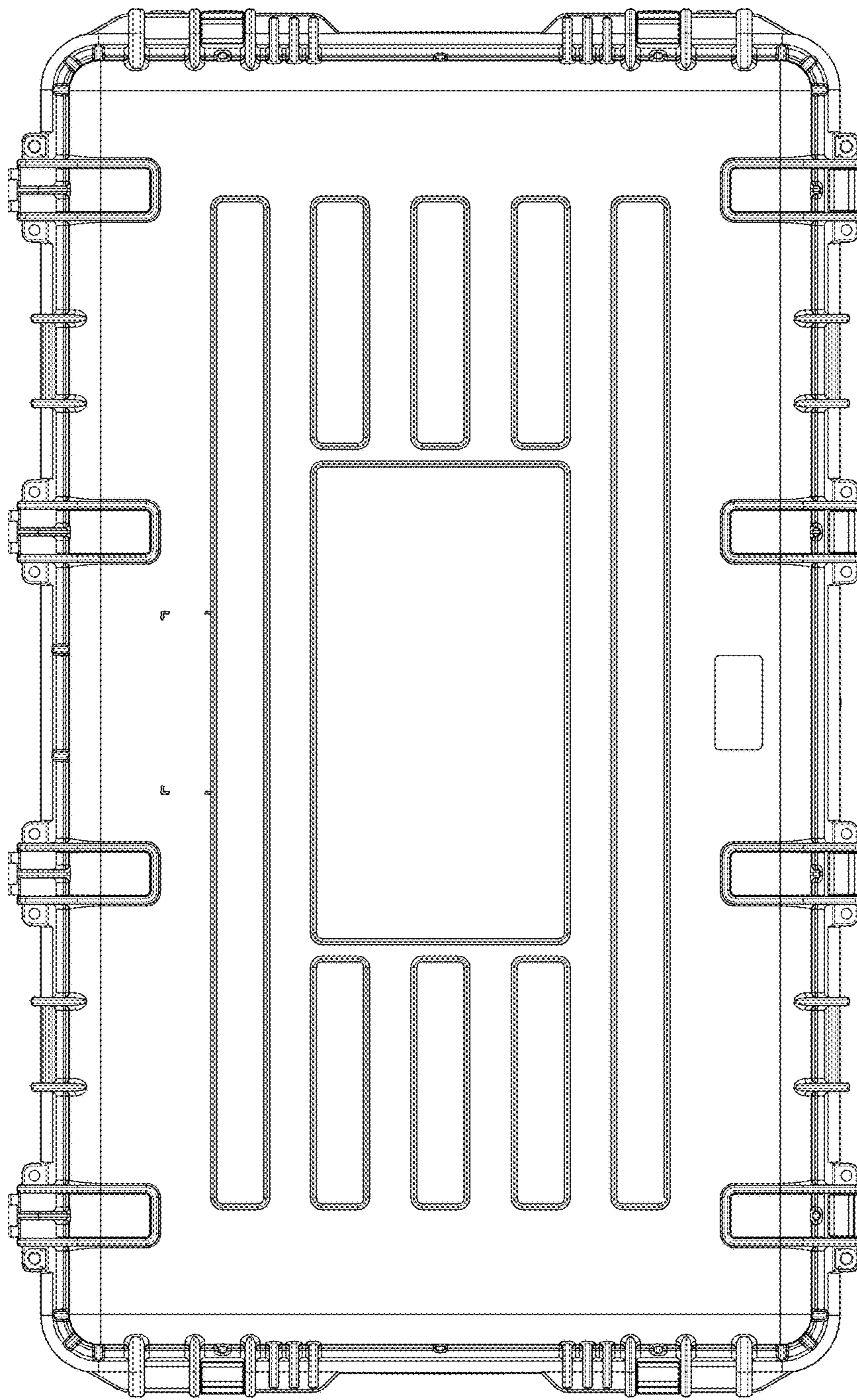


Fig. 20

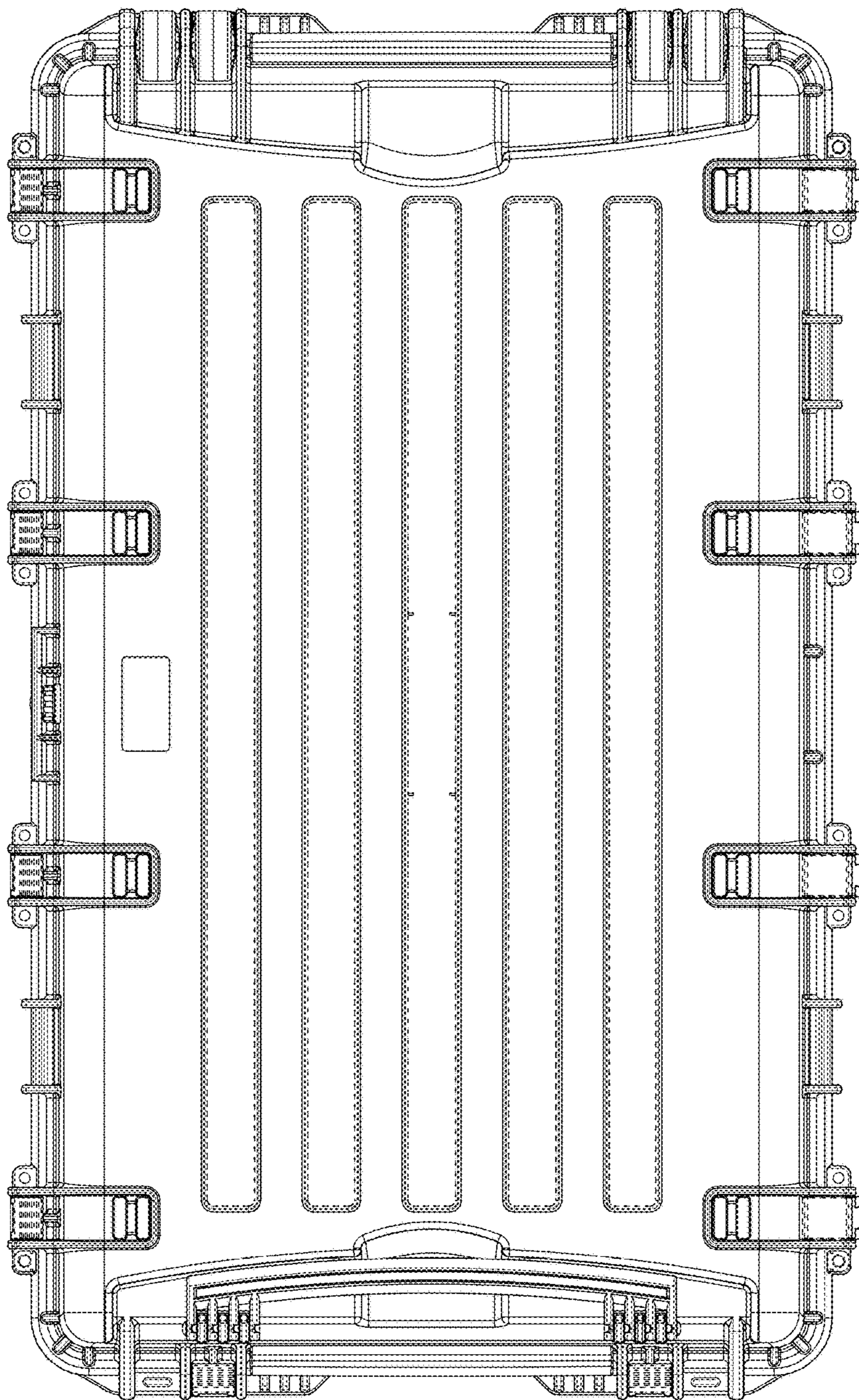


Fig. 21

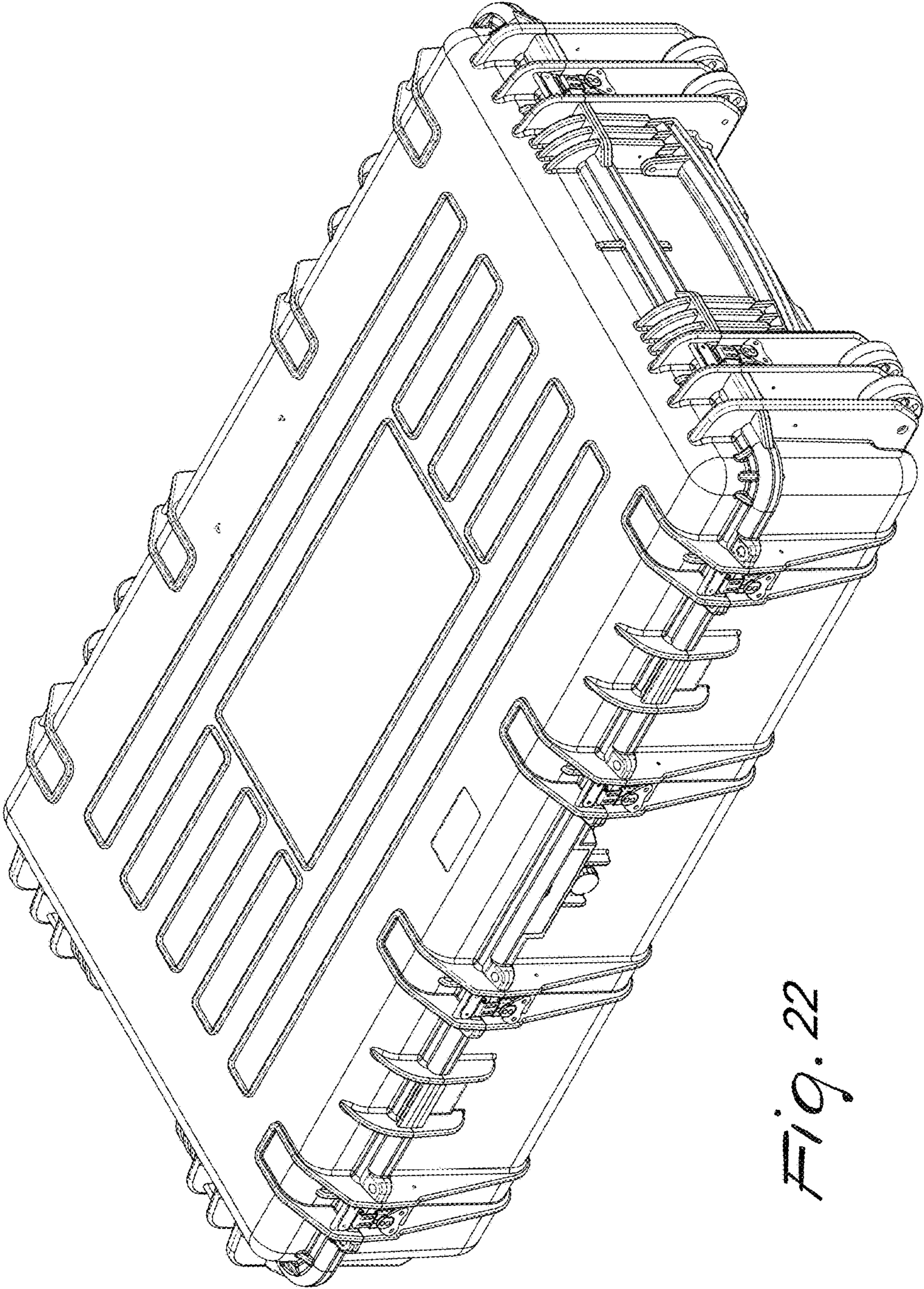


Fig. 22

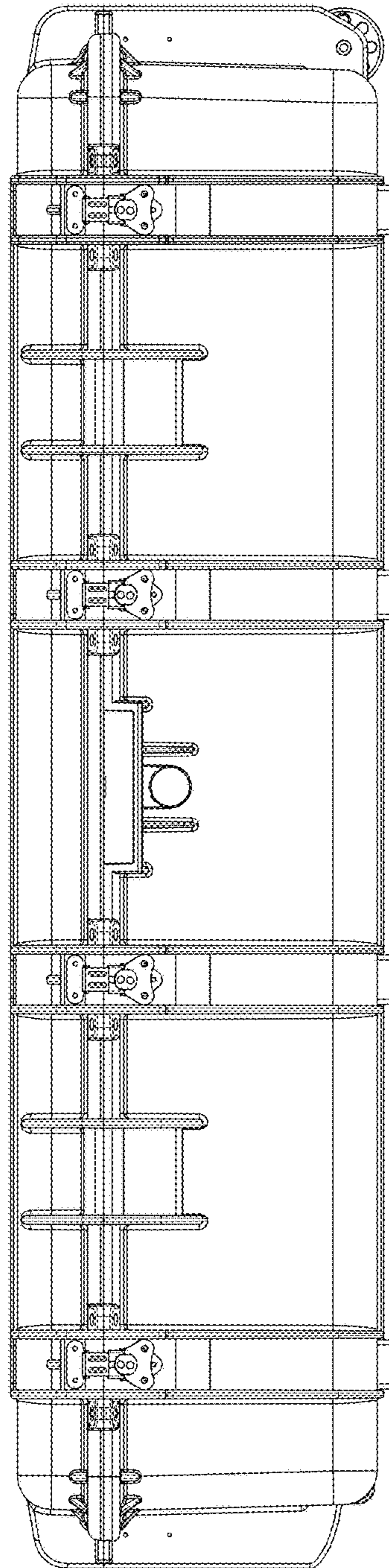


Fig. 23

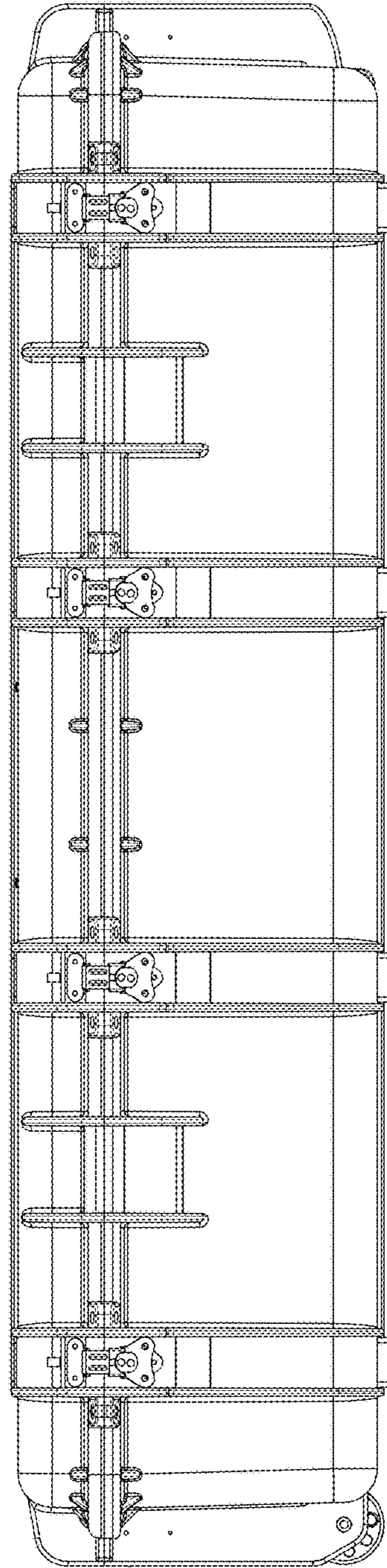


Fig. 24

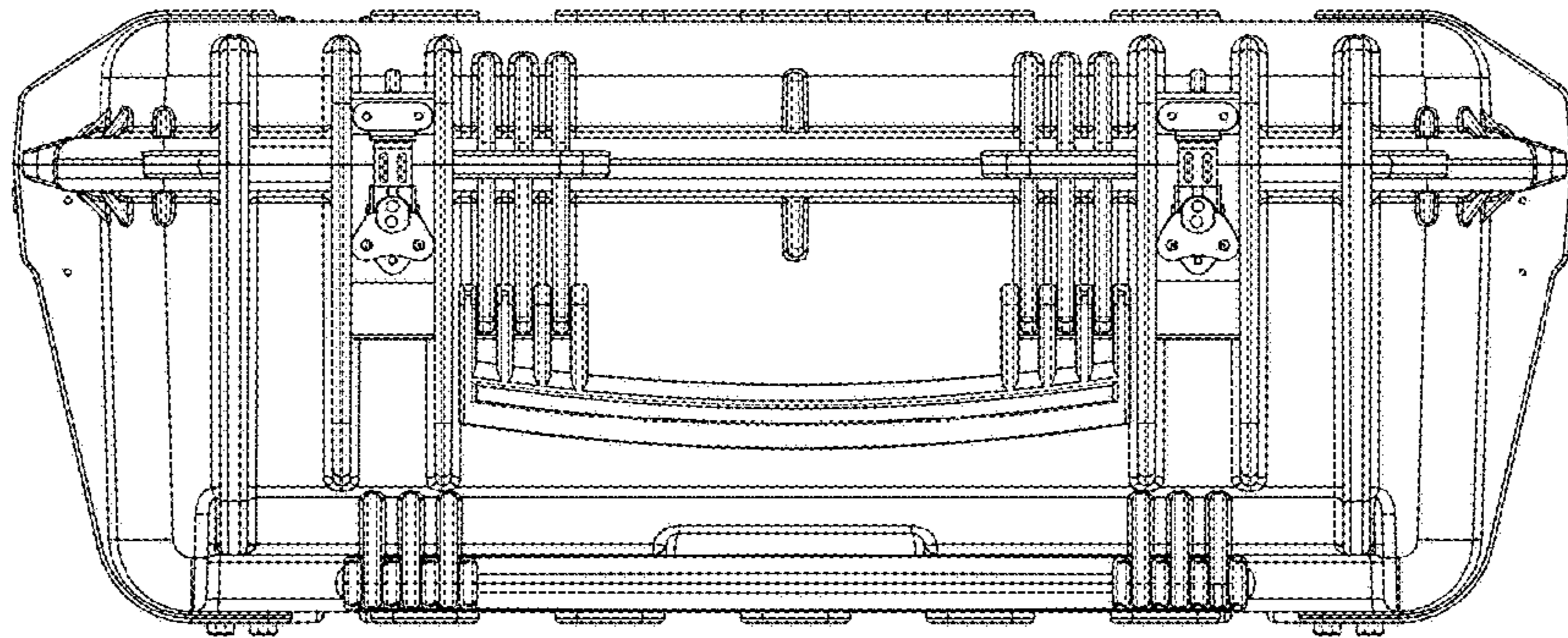


Fig. 25

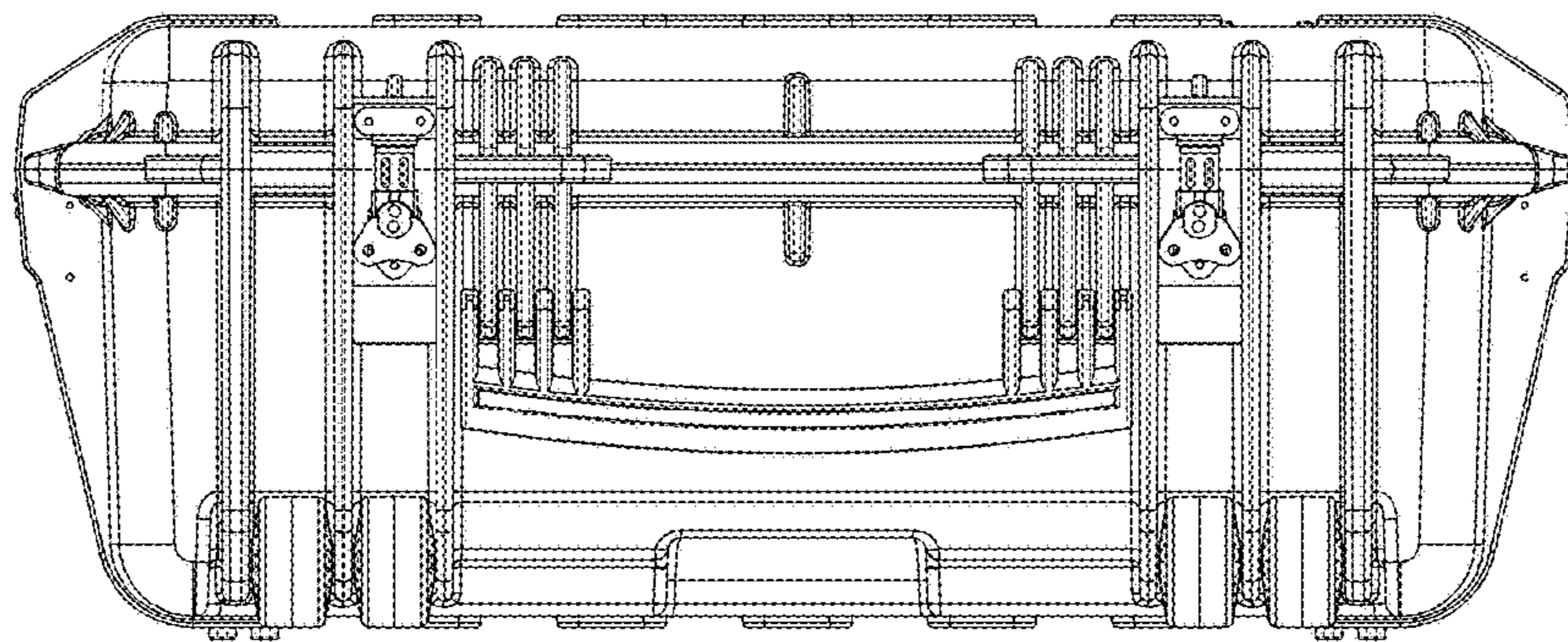


Fig. 26

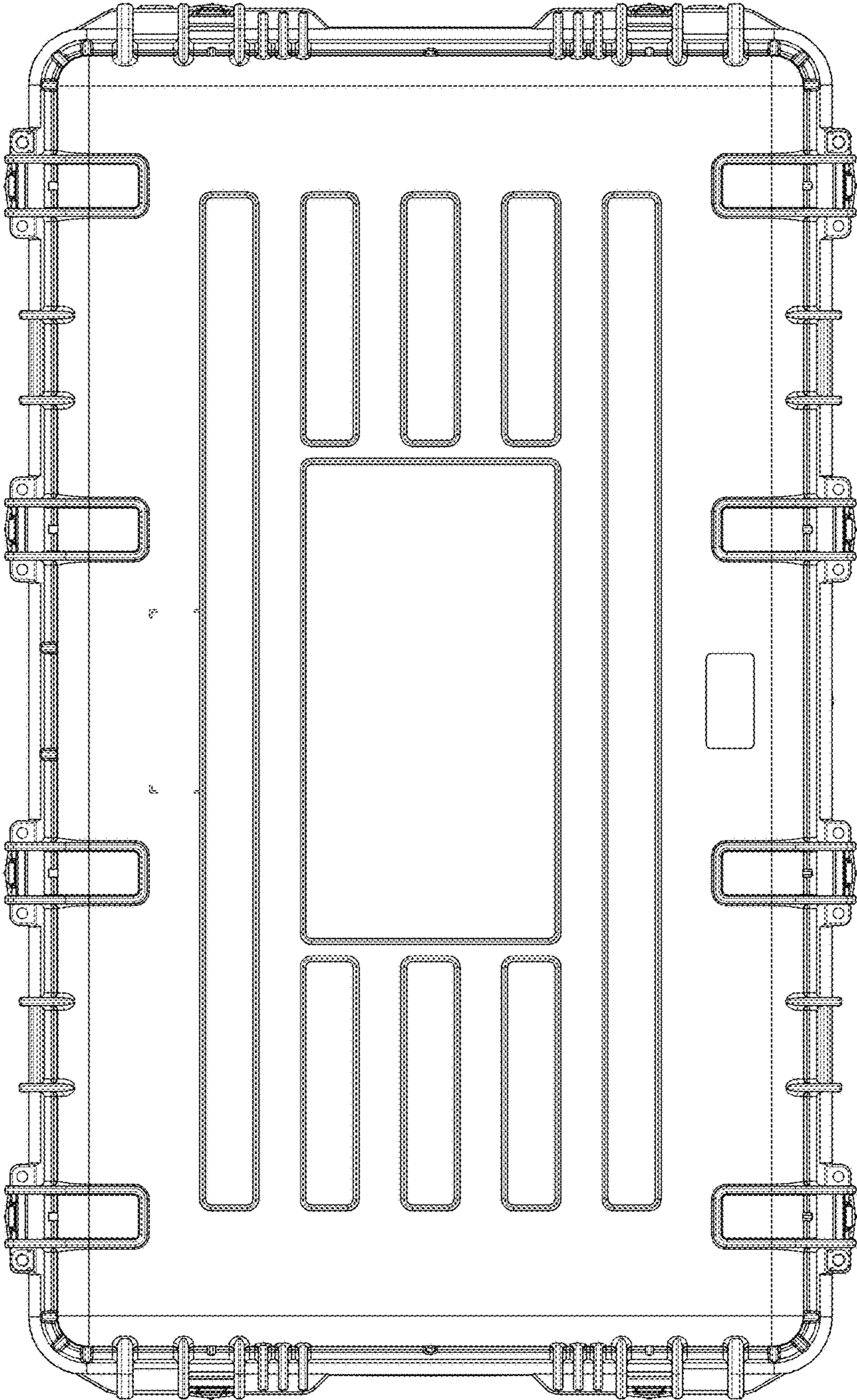


Fig. 27

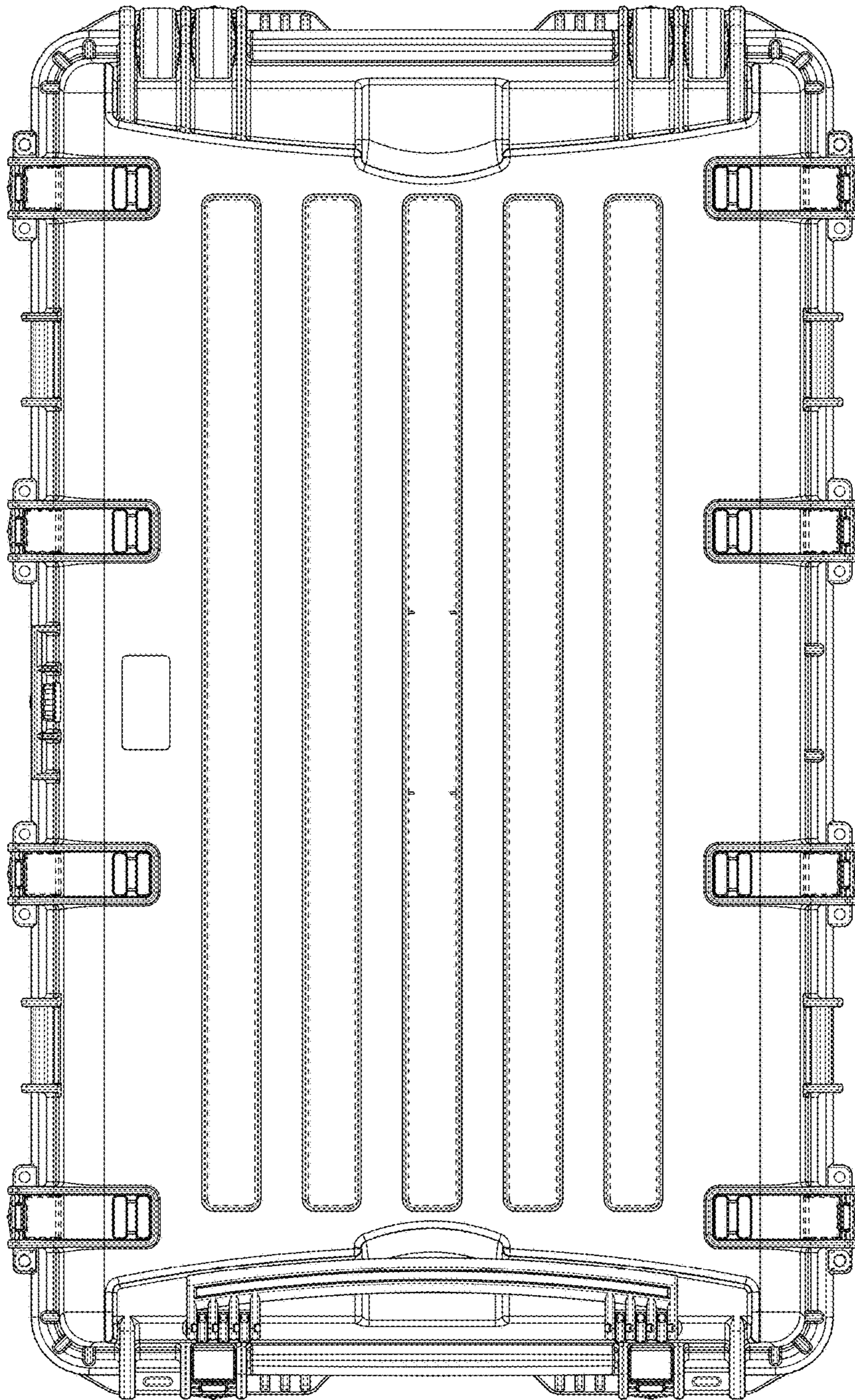


Fig. 28