



US00D854825S

(12) **United States Design Patent** (10) **Patent No.:** **US D854,825 S**  
**Chen** (45) **Date of Patent:** **\*\* Jul. 30, 2019**

(54) **FASTENER CONTAINER**

(56) **References Cited**

(71) Applicant: **CHENG YU ENTERPRISES CO., LTD.**, Tainan (TW)

U.S. PATENT DOCUMENTS

(72) Inventor: **Min-Chien Chen**, Tainan (TW)

D232,152 S \* 7/1974 William ..... D32/53  
D233,218 S \* 10/1974 Elmer ..... D32/53  
D503,534 S \* 4/2005 Dong ..... D3/276  
D506,608 S \* 6/2005 Dong ..... B65D 25/32

(73) Assignee: **CHENG YU ENTERPRISES CO., LTD.**, Tainan (TW)

D526,481 S \* 8/2006 Dong ..... D3/276  
D587,566 S \* 3/2009 Albrecht ..... D9/424  
D729,480 S \* 5/2015 Silkaitis ..... D32/53  
D767,227 S \* 9/2016 Del Rosario Roy ..... D32/53

(\*) Notice: This patent is subject to a terminal disclaimer.

D814,920 S \* 4/2018 Georgiadis ..... D9/420  
2008/0190930 A1 \* 8/2008 Vogel ..... B65D 21/0222  
220/276

(\*\*) Term: **15 Years**

\* cited by examiner

(21) Appl. No.: **29/656,324**

*Primary Examiner* — Jennifer Rivard

(22) Filed: **Jul. 11, 2018**

*Assistant Examiner* — April Rivas

**Related U.S. Application Data**

(74) *Attorney, Agent, or Firm* — J.C. Patents

(60) Continuation-in-part of application No. 29/630,159, filed on Dec. 19, 2017, now abandoned, which is a division of application No. 29/585,722, filed on Nov. 28, 2016, now Pat. No. Des. 829,440.

(57) **CLAIM**

The ornamental design for a fastener container, as shown and described.

(51) **LOC (11) Cl.** ..... **03-01**

**DESCRIPTION**

(52) **U.S. Cl.**  
USPC ..... **D3/276; D3/905**

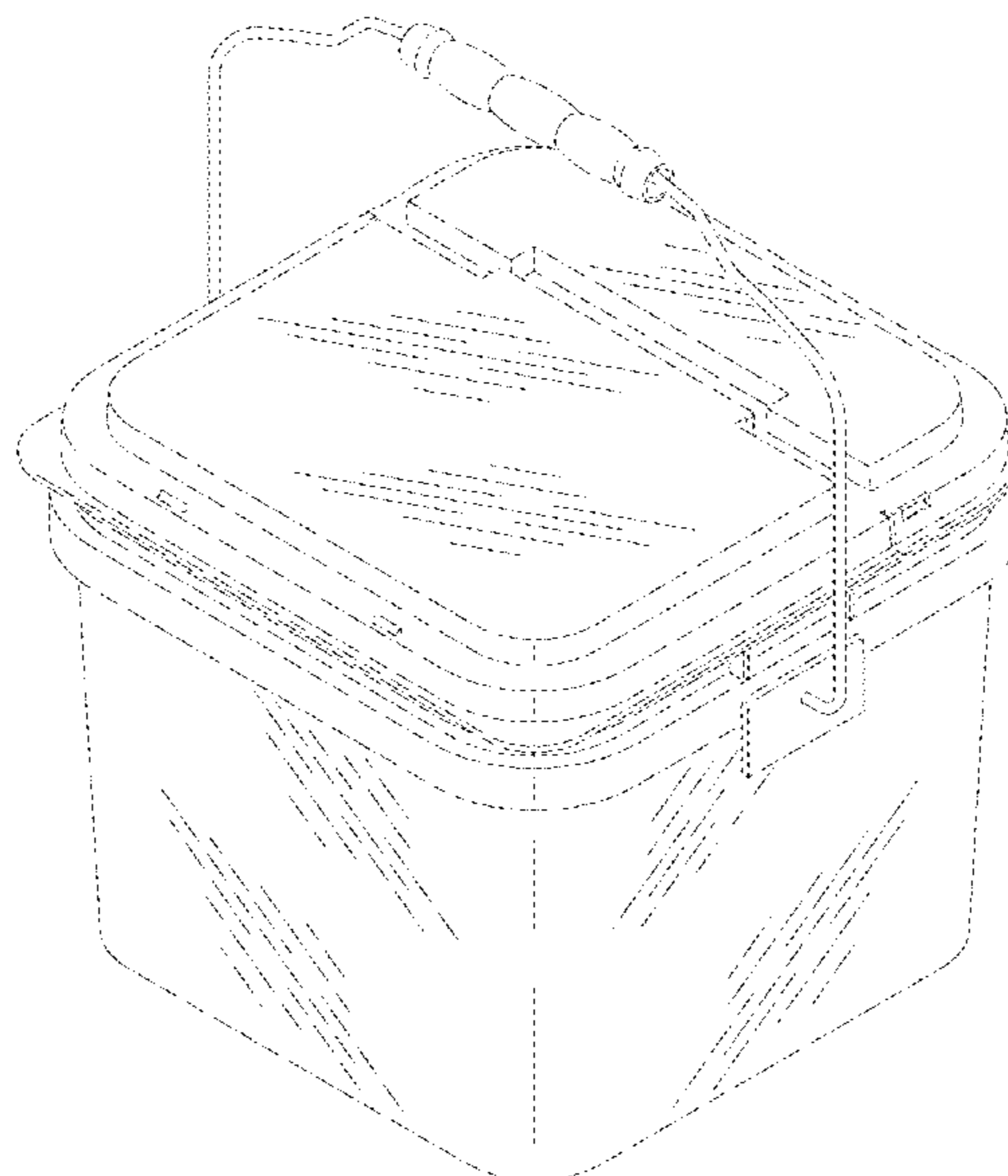
FIG. 1 is a perspective view of a fastener container, FIG. 2 is a front view thereof, FIG. 3 is a rear view thereof, FIG. 4 is a left side view thereof, FIG. 5 is a right side view thereof, FIG. 6 is a top view thereof, FIG. 7 is a bottom view thereof; and, FIG. 8 is a sectional view along line 8-8 shown in FIG. 6. The broken lines illustrate portions of the fastener container and form no part of the claimed design.

(58) **Field of Classification Search**  
USPC ..... D3/203.6, 217, 218, 233, 249, 269, 274, D3/276, 279, 282, 284, 288, 289, 290, D3/900, 901, 902, 905, 313, 903, 272, D3/302, 261, 232

CPC .. B65D 85/68; A45C 3/00; A45C 5/00; A45C 2003/007; A45C 2003/008; A45C 5/03; A45C 5/04; A45C 7/0036; A45C 2009/007; A45C 11/16; A45C 7/00; A45C 7/0059; A45C 5/14; A45C 9/00; B25H 3/02

See application file for complete search history.

**1 Claim, 8 Drawing Sheets**



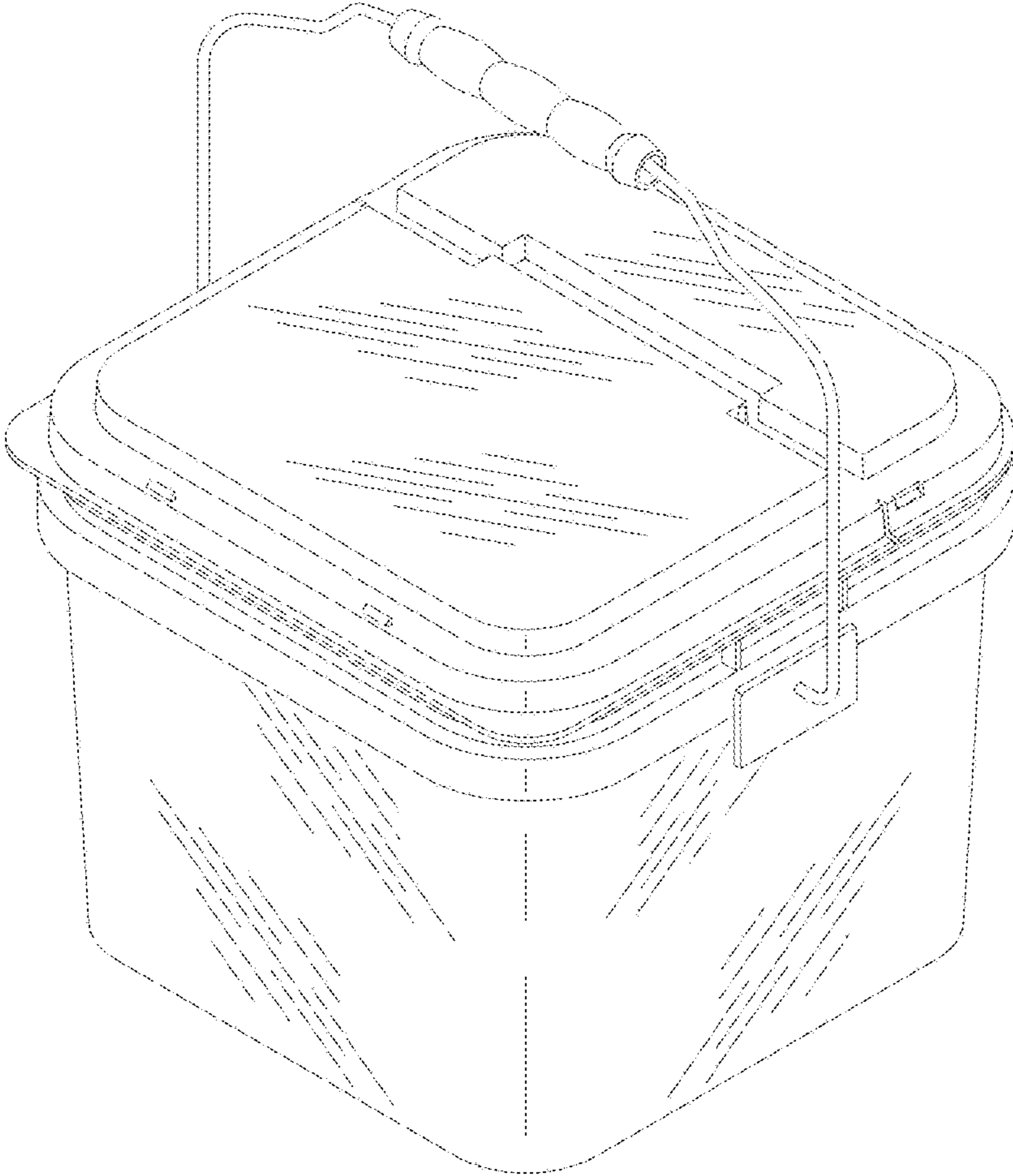


FIG 1

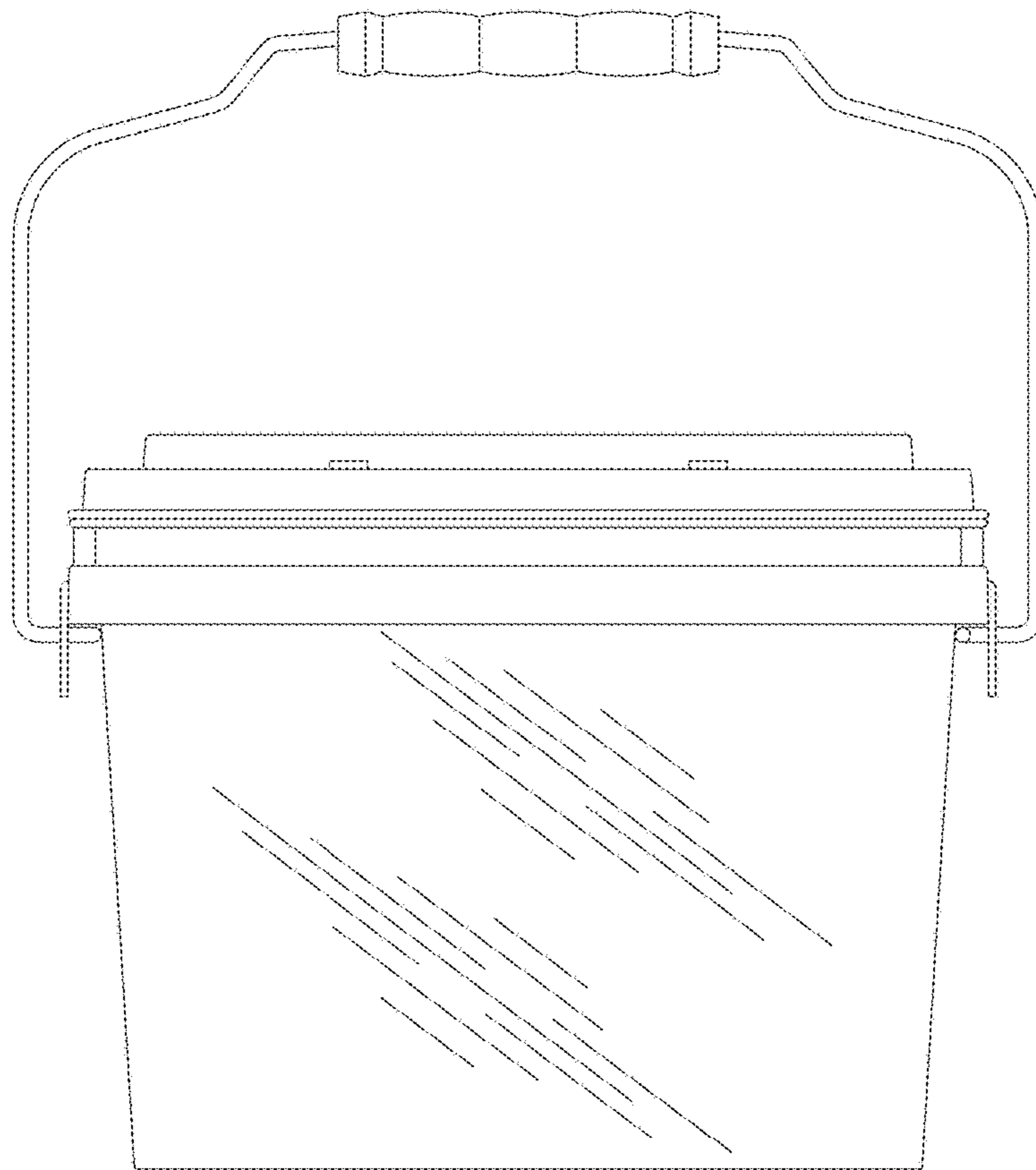


FIG 2

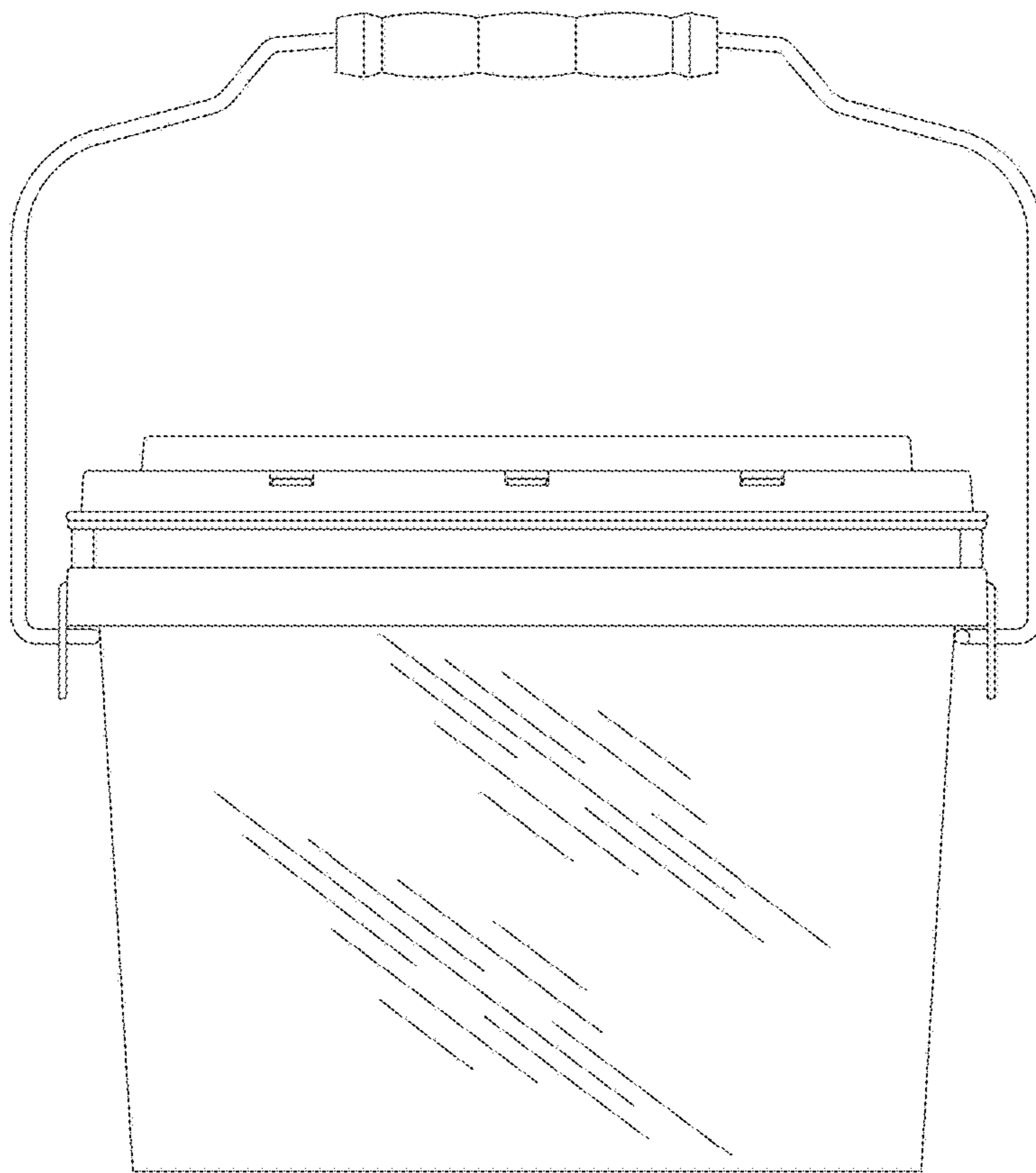


FIG 3

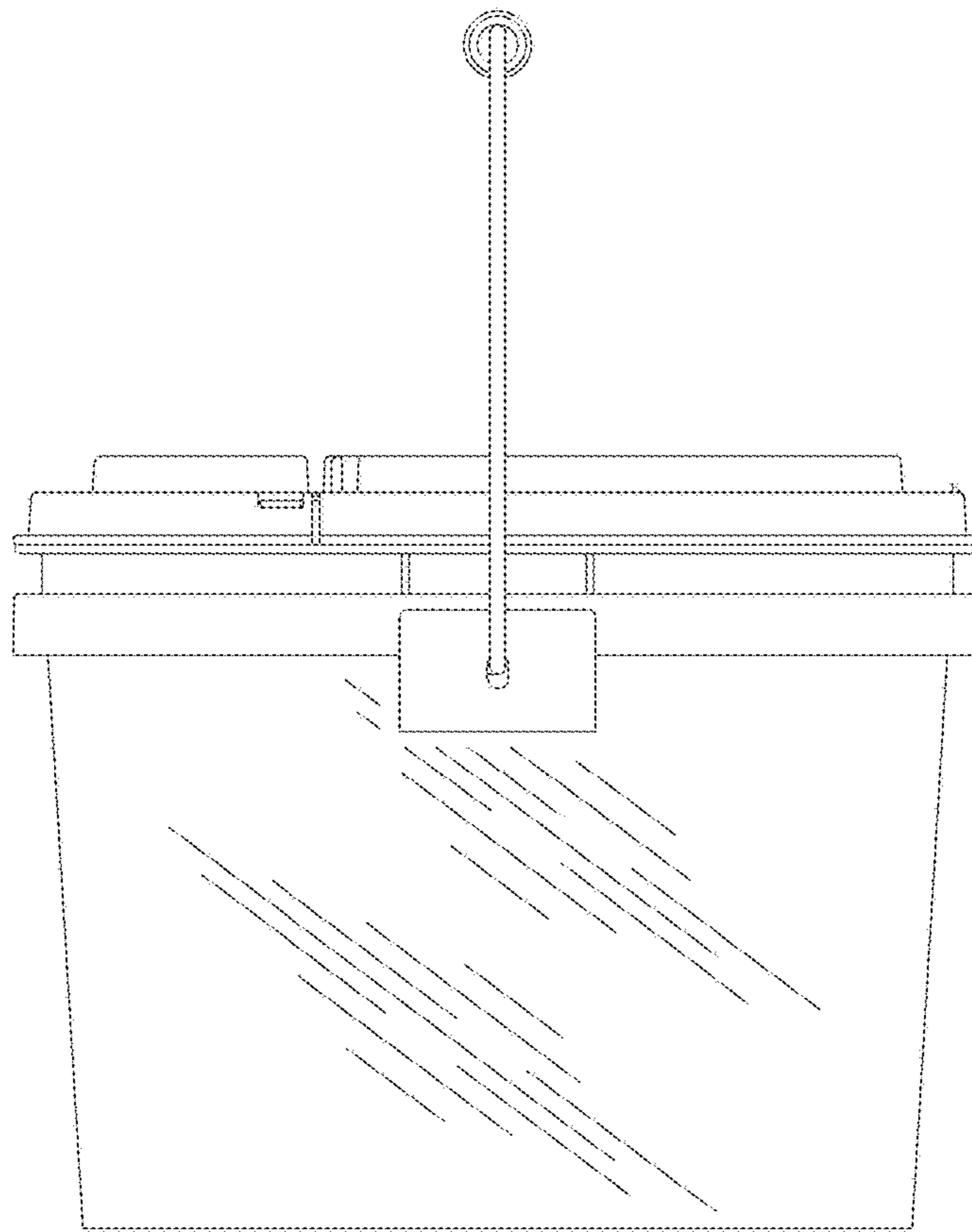


FIG 4

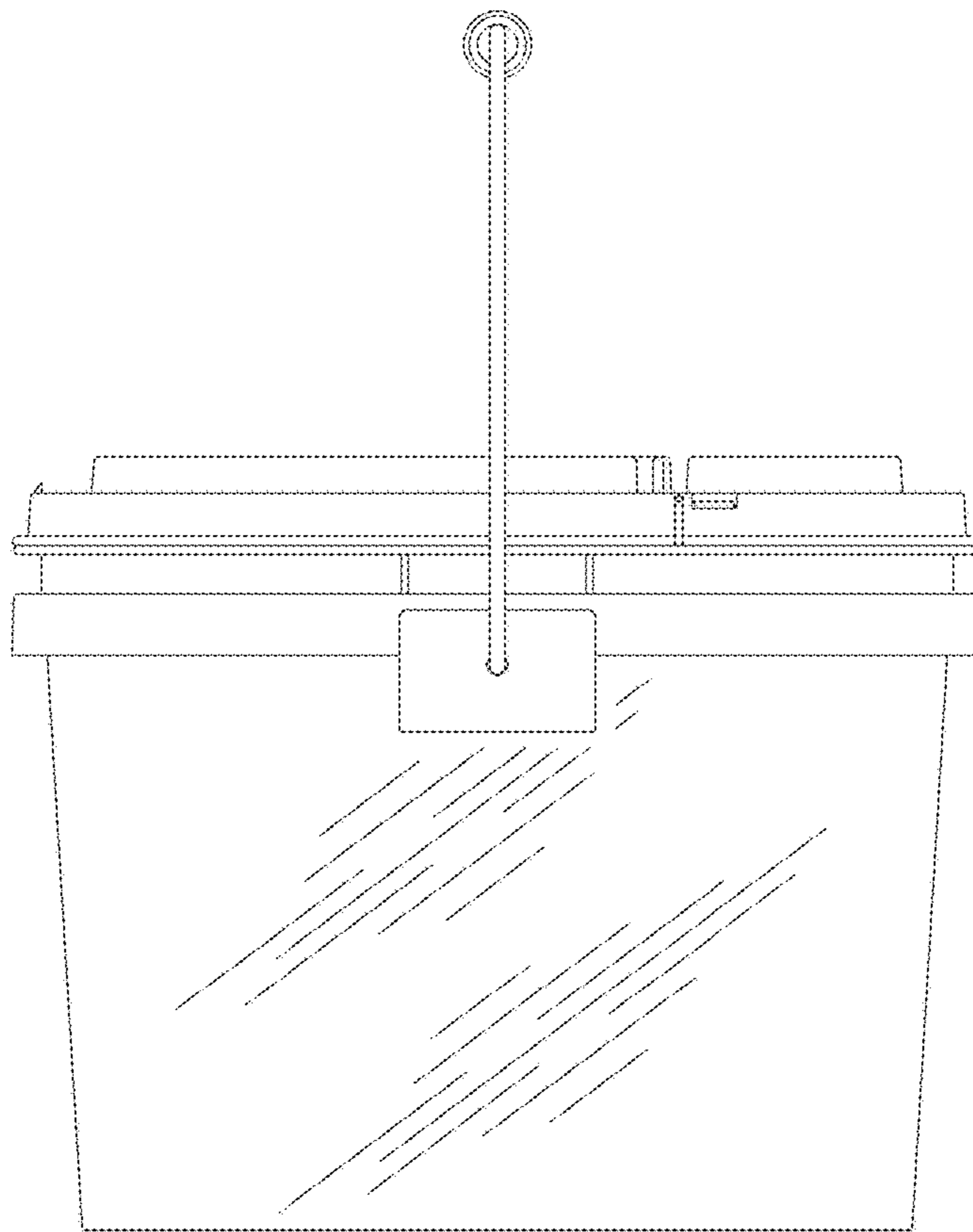


FIG 5

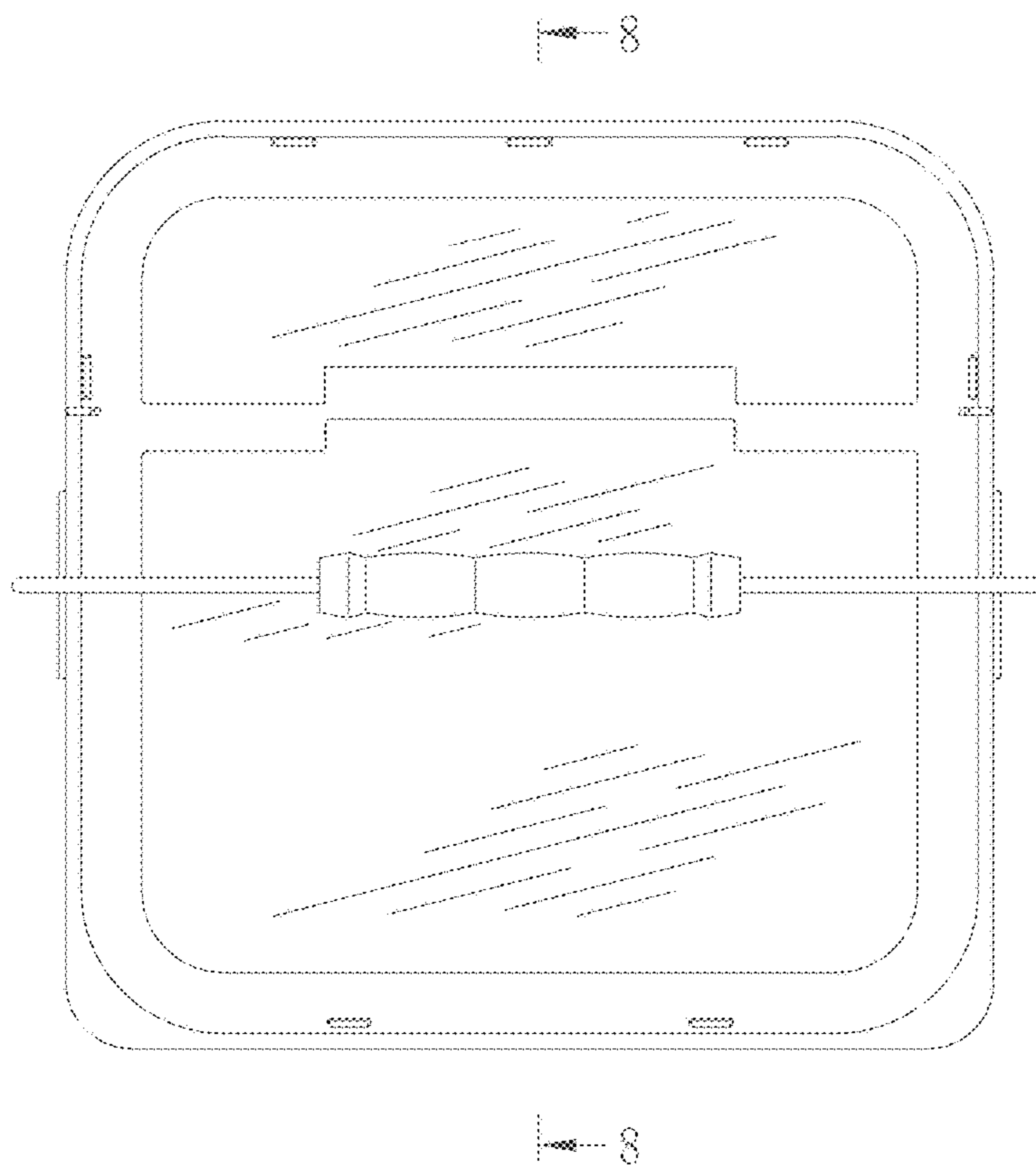


FIG 6

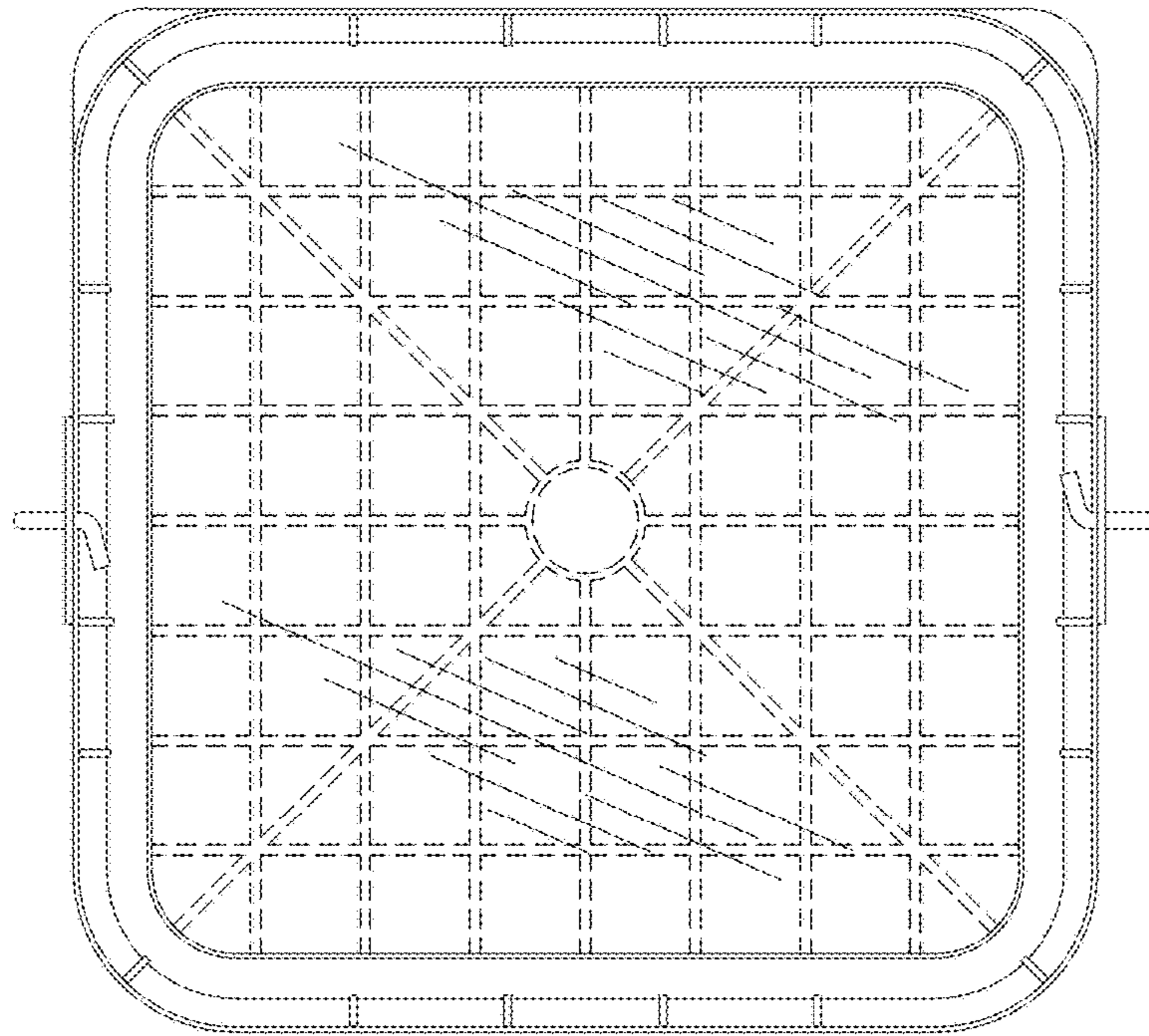


FIG 7



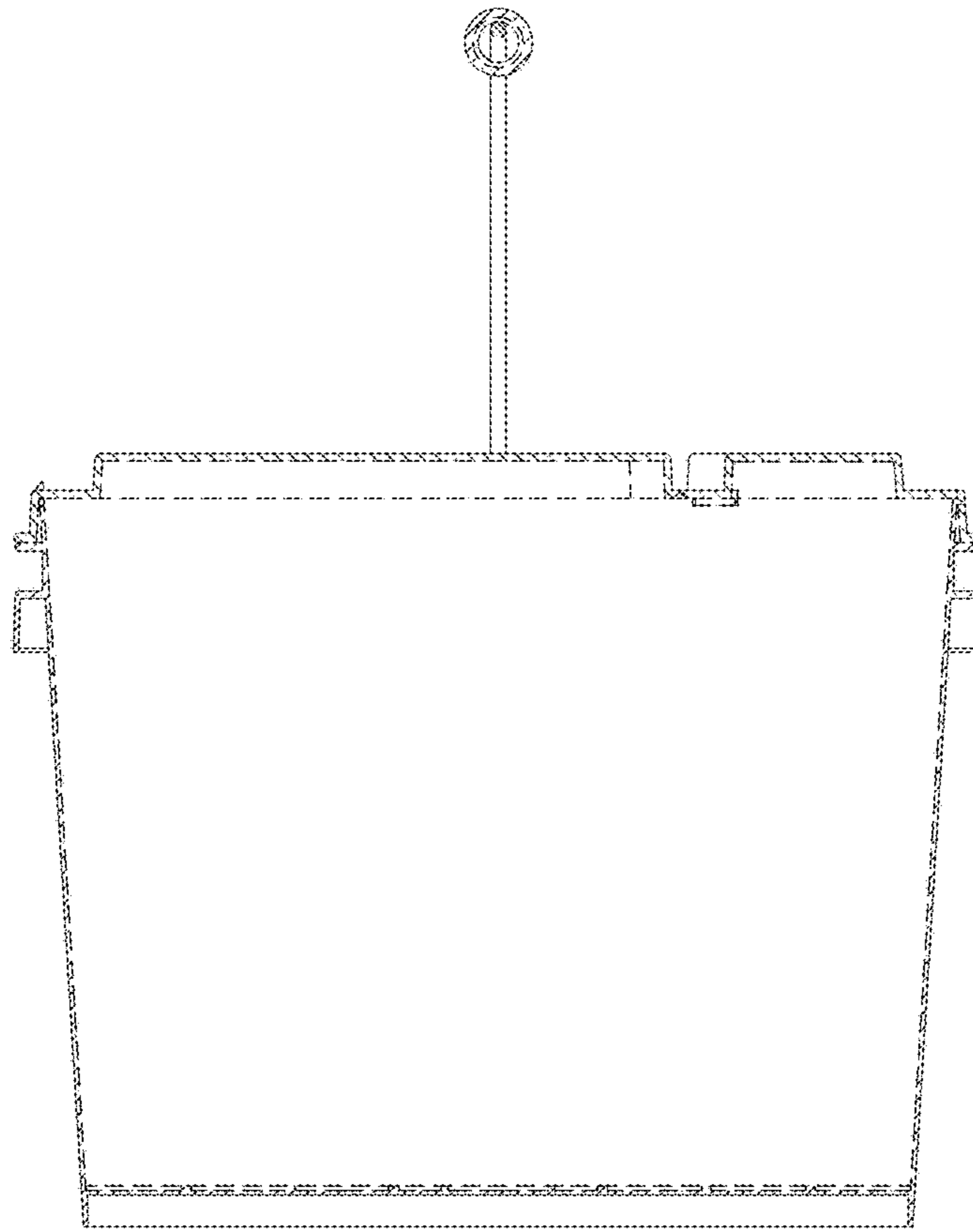


FIG 8