



US00D854822S

(12) **United States Design Patent** (10) **Patent No.:** **US D854,822 S**  
**Dumas** (45) **Date of Patent:** **\*\* Jul. 30, 2019**

(54) **BAG**  
(71) Applicant: **HERMES SELLIER (SOCIETE PAR ACTIONS SIMPLIFIEE)**, Paris (FR)  
(72) Inventor: **Pierre-Alexis Dumas**, Paris (FR)  
(\*\*) Term: **15 Years**  
(21) Appl. No.: **35/503,499**  
(22) Filed: **Jul. 26, 2017**

(80) **Hague Agreement Data**  
Int. Filing Date: **Jul. 26, 2017**  
Int. Reg. No.: **DM/097175**  
Int. Reg. Date: **Jul. 26, 2017**  
Int. Reg. Pub. Date: **Aug. 11, 2017**

(51) **LOC (11) Cl.** ..... **03-01**  
(52) **U.S. Cl.**  
USPC ..... **D3/232**  
(58) **Field of Classification Search**  
USPC ..... D3/201, 216, 232–233, 242–247, 299, D3/303  
CPC ..... A45C 1/024; A45C 3/06  
See application file for complete search history.

(56) **References Cited**

U.S. PATENT DOCUMENTS

D69,166 S \* 12/1925 Steiner ..... D3/244  
D139,612 S \* 12/1944 Norton ..... D3/244  
D168,996 S \* 3/1953 Hochner ..... D3/246  
D185,829 S \* 8/1959 Lemler ..... D3/244  
D209,727 S \* 12/1967 Bollig ..... D3/244  
D220,414 S \* 4/1971 Marshall ..... 493/225  
D335,957 S \* 6/1993 Cantrell ..... 224/148.5  
D493,614 S \* 8/2004 Peng ..... D3/246  
D558,449 S \* 1/2008 Vidal ..... D3/246  
D560,355 S \* 1/2008 Pruitt ..... D3/246

D562,552 S \* 2/2008 Gerbi ..... D3/238  
D569,615 S \* 5/2008 Gerbi ..... D3/246  
D588,805 S \* 3/2009 Gerbi ..... D3/245  
D624,751 S \* 10/2010 McLeod ..... D3/244  
D627,158 S \* 11/2010 Dreyfuss ..... D3/244  
D663,523 S \* 7/2012 Dreyfuss ..... D3/245  
D680,328 S \* 4/2013 Alexandre ..... D3/232  
D782,818 S \* 4/2017 Slimane ..... D3/244  
D789,686 S \* 6/2017 Gerbelle ..... D3/244  
D794,951 S \* 8/2017 Gavriel ..... D3/244  
D798,051 S \* 9/2017 Nair ..... D3/243  
D816,331 S \* 5/2018 Gerbelle ..... D3/246  
D820,591 S \* 6/2018 Nair ..... D3/244

\* cited by examiner

Primary Examiner — Holly E Thurman

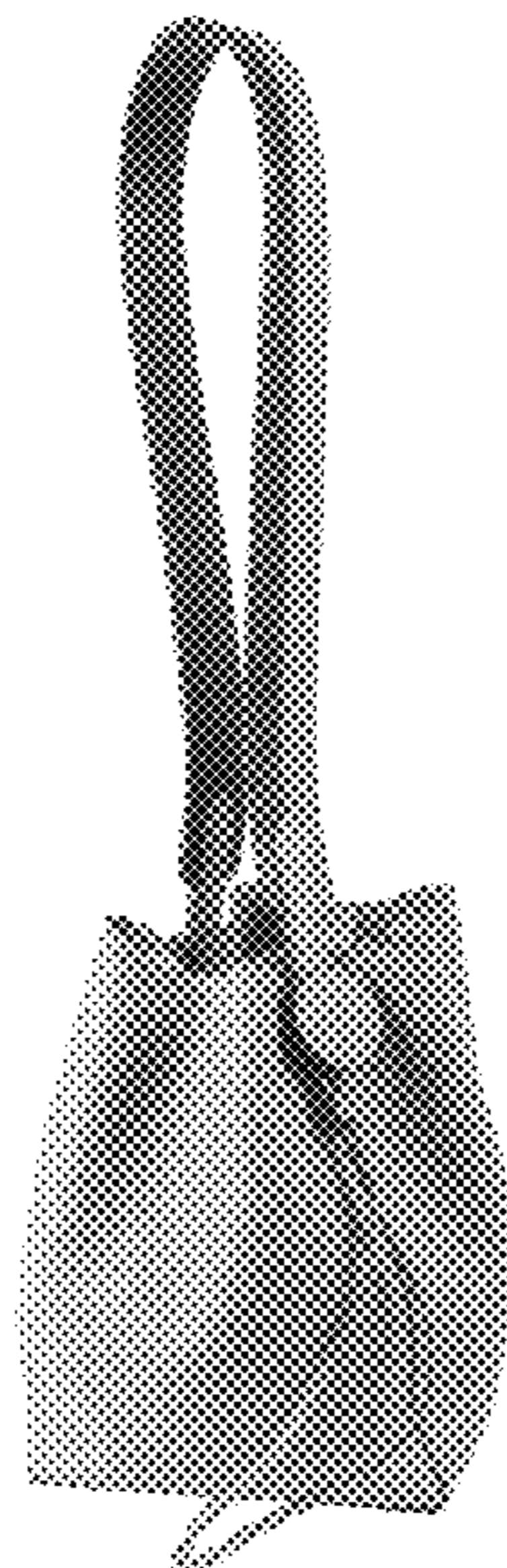
(57) **CLAIM**

The ornamental design for a bag, as shown and described.

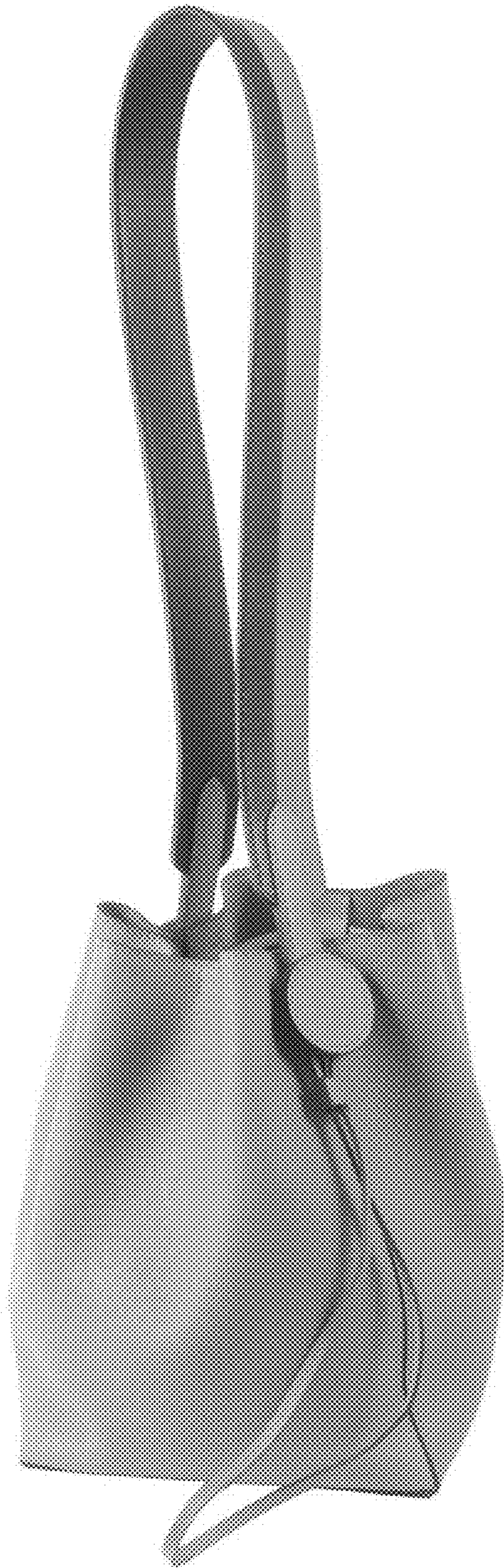
**DESCRIPTION**

1. Bag  
FIG. 1.1 is a perspective view of a bag of the claimed design;  
FIG. 1.2 is a front elevational view of the bag shown in FIG. 1.1;  
FIG. 1.3 is a back elevational view of the bag shown in FIG. 1.1;  
FIG. 1.4 is a right elevational view of the bag shown in FIG. 1.1;  
FIG. 1.5 is a left elevational view of the bag shown in FIG. 1.1;  
FIG. 1.6 is a top plan view of the bag shown in FIG. 1.1;  
FIG. 1.7 is a bottom plan view of the bag shown in FIG. 1.1;  
and  
FIG. 1.8 is an unfolded, perspective view of the bag shown in FIG. 1.1 in an alternate configuration.  
The claimed design is shown in the figures by solid lines as well as by broken lines that represent stitching.

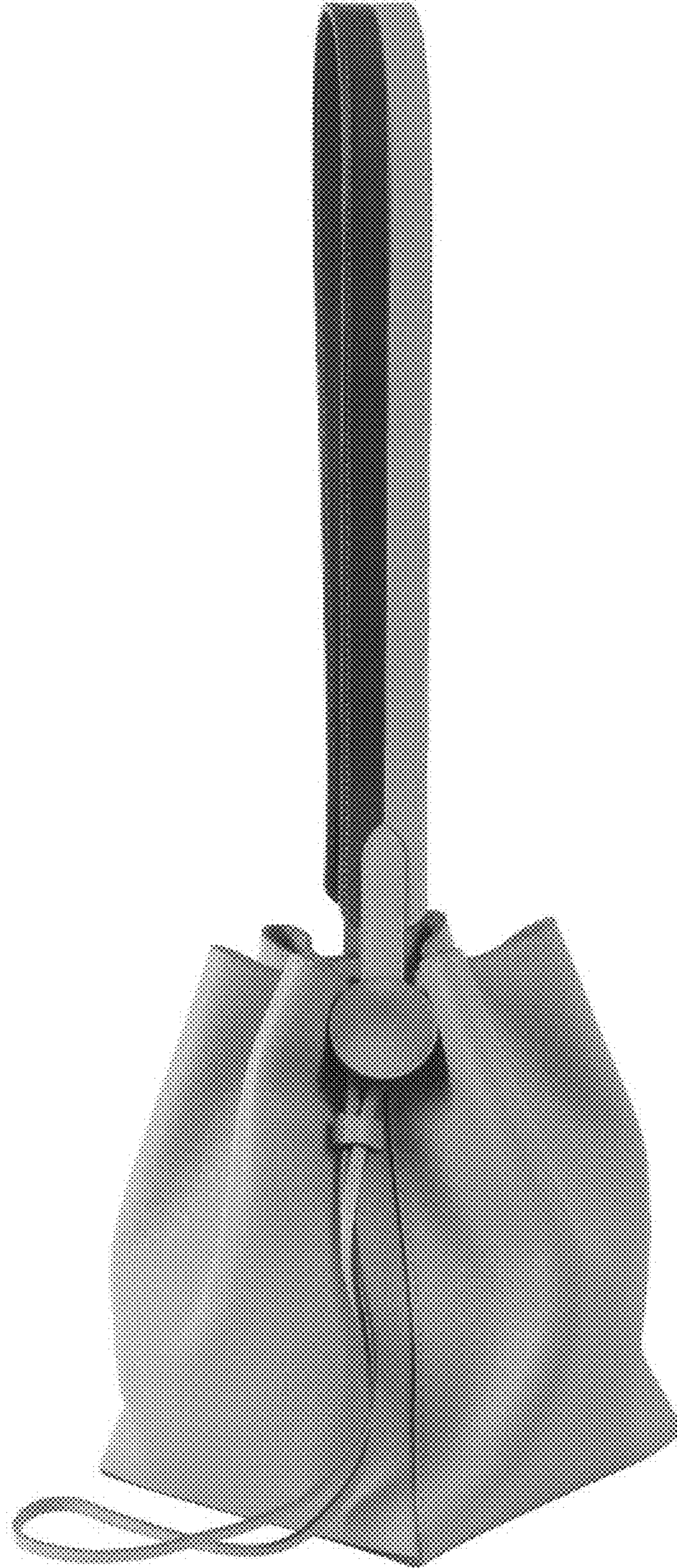
**1 Claim, 8 Drawing Sheets**



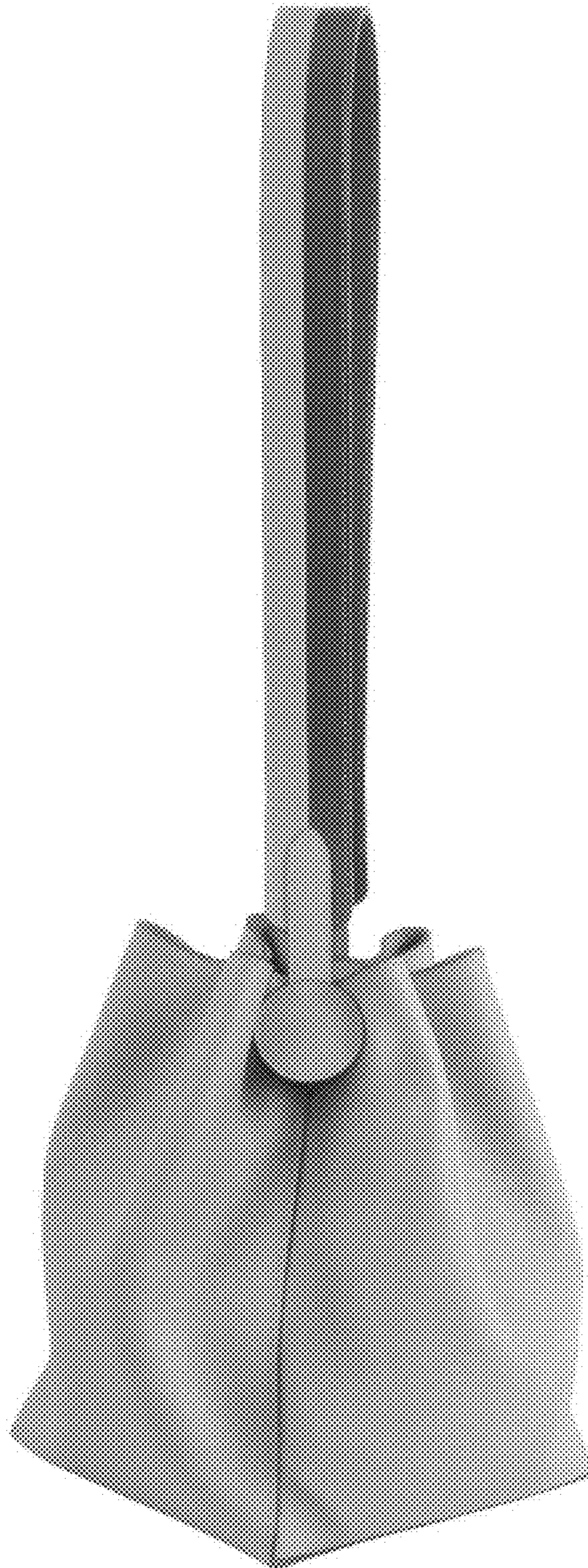
1.1



1.2



1.3



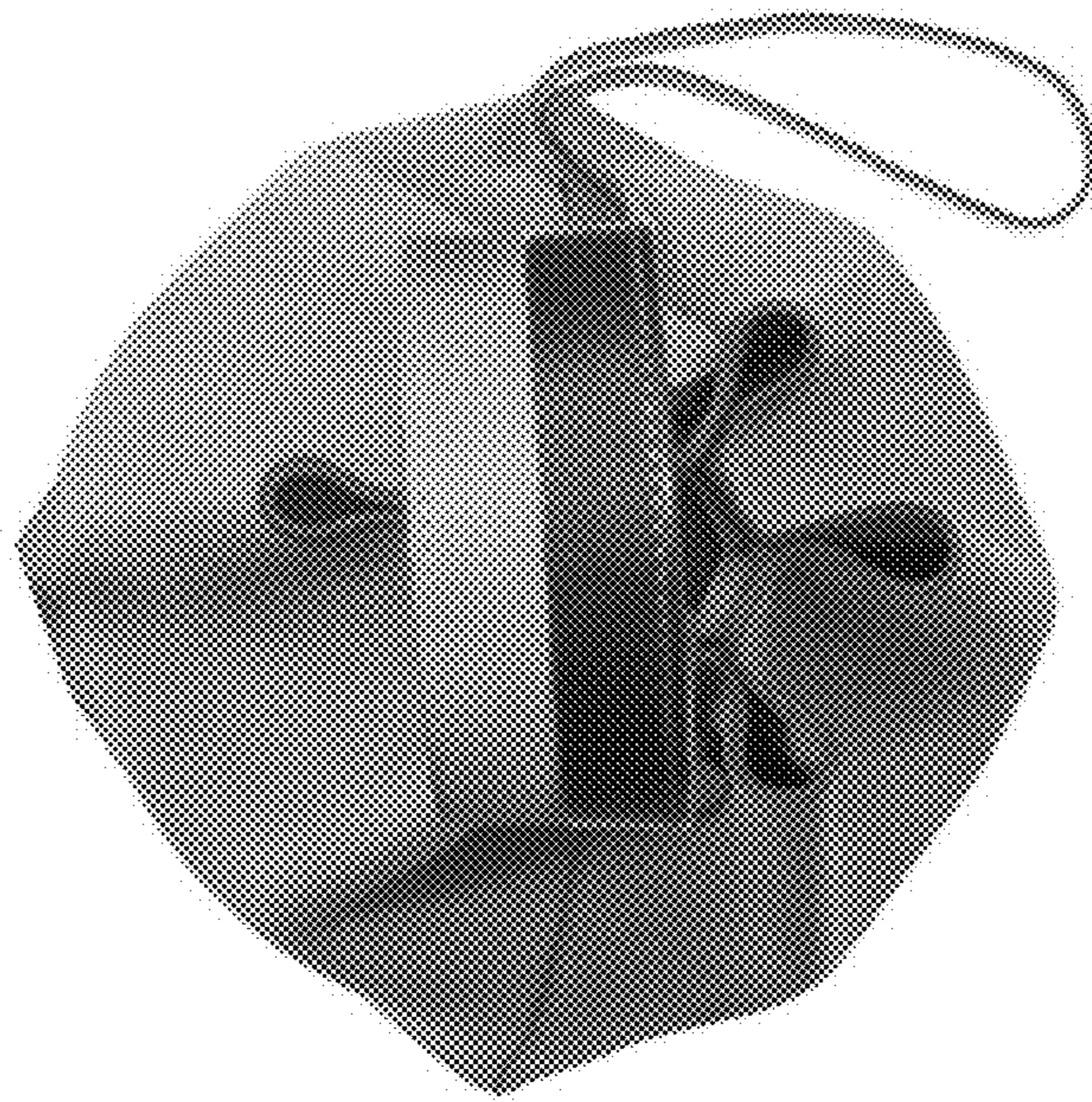
1.4



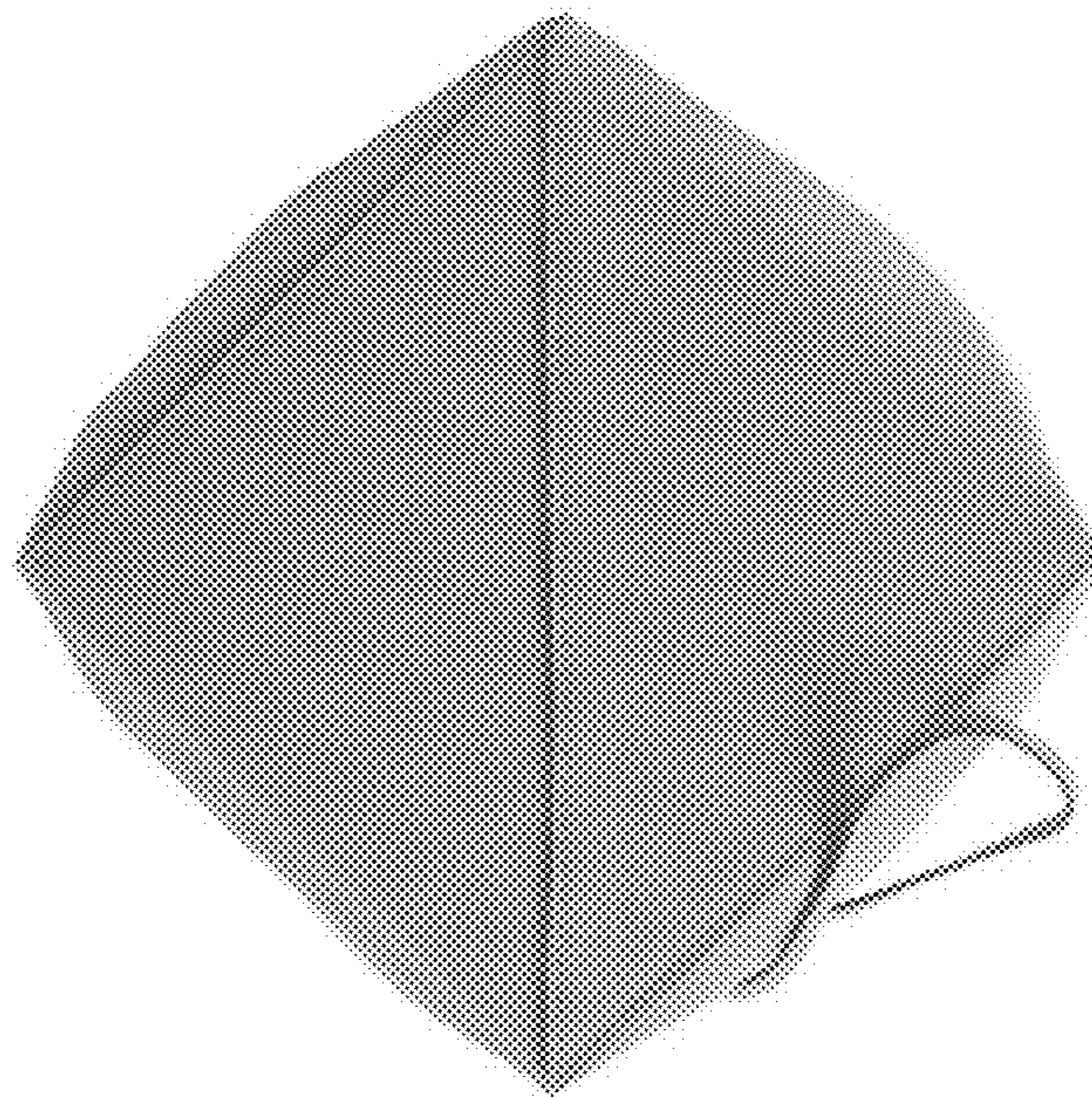
1.5



1.6



1.7





1.8

