



US00D854815S

(12) **United States Design Patent** (10) **Patent No.:** **US D854,815 S**
Jensen (45) **Date of Patent:** **** Jul. 30, 2019**

(54) **HOLDER FOR SLEDGEHAMMER**

(71) Applicant: **Ole Johann Jensen**, Oslo (NO)

(72) Inventor: **Ole Johann Jensen**, Oslo (NO)

(**) Term: **15 Years**

(21) Appl. No.: **35/504,927**

(22) Filed: **Mar. 2, 2018**

(80) **Hague Agreement Data**

Int. Filing Date: **Mar. 2, 2018**

Int. Reg. No.: **DM/100959**

Int. Reg. Date: **Mar. 2, 2018**

Int. Reg. Pub. Date: **May 11, 2018**

(51) **LOC (11) Cl.** **03-01**

(52) **U.S. Cl.**
USPC **D3/215; D11/218**

(58) **Field of Classification Search**
USPC D3/215, 220, 221, 328; D8/71, 354, 356,
D8/373; D29/124; D11/200, 218
CPC Y10T 24/4088; Y10T 24/4091; Y10T
24/4093; A44B 11/04; A45F 5/021
See application file for complete search history.

(56) **References Cited**

U.S. PATENT DOCUMENTS

- D130,138 S * 10/1941 Rosenberg D11/218
- 2,589,126 A * 3/1952 Payne A45F 5/021
224/247
- D275,106 S * 8/1984 Hart D15/5
- D283,100 S * 3/1986 Porter D8/396
- 5,181,682 A * 1/1993 Indelicato E06C 7/143
248/210
- D364,333 S * 11/1995 Fillipp D8/354
- D390,101 S * 2/1998 Nygard D8/395
- D415,343 S * 10/1999 Maddox D3/207
- 6,176,403 B1 * 1/2001 Svare A45F 5/00
224/251
- D447,333 S * 9/2001 Phetthaweebancha D3/215

- D453,992 S * 3/2002 Lamanna D3/220
- D464,705 S * 10/2002 Ratliffe D22/147
- D479,117 S * 9/2003 Mercier D8/354
- D487,629 S * 3/2004 Parsons D3/220
- D492,478 S * 7/2004 Hadley D3/220
- D543,693 S * 6/2007 Fishman D3/207
- D616,643 S * 6/2010 Casper D3/221
- D633,415 S * 3/2011 Grimm D11/218
- D635,891 S * 4/2011 Grimm D11/216
- D687,509 S * 8/2013 Iannello D11/200
- D688,118 S * 8/2013 Hobson D8/356
- D688,977 S * 9/2013 Mohr D11/218
- D699,625 S * 2/2014 Grimm D11/218
- D700,541 S * 3/2014 Iannello D11/218
- 8,764,360 B2 * 7/2014 Vick F16B 2/20
24/198
- D712,663 S * 9/2014 Gasparino D3/328
- D713,291 S * 9/2014 Fildan D11/200
- D717,145 S * 11/2014 Tang D11/218
- D718,186 S * 11/2014 Iannello D11/218
- D773,551 S * 12/2016 Clearman D16/242
- D781,572 S * 3/2017 Duval D3/215
- D789,681 S * 6/2017 Grisamore D3/215
- D794,943 S * 8/2017 Schlang D3/201

(Continued)

Primary Examiner — Deanna L Pratt

(57) **CLAIM**

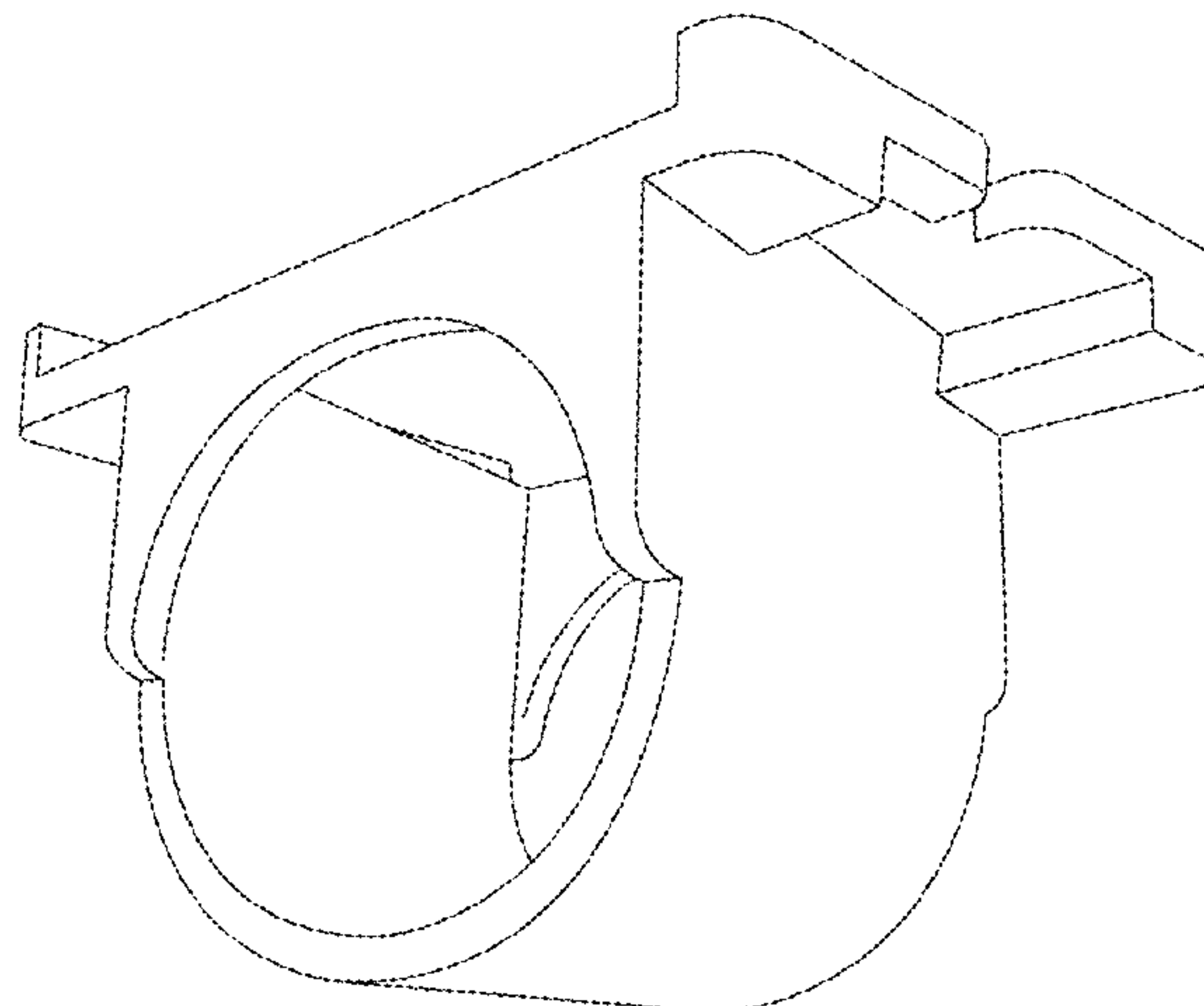
The ornamental design for a holder for sledgehammer, as shown and described.

DESCRIPTION

1. Holder for sledgehammer

- 1.1** : Front
- 1.2** : Back
- 1.3** : Left
- 1.4** : Right
- 1.5** : Top
- 1.6** : Bottom
- 1.7** : Perspective
- 1.8** : Perspective

1 Claim, 8 Drawing Sheets



(56)

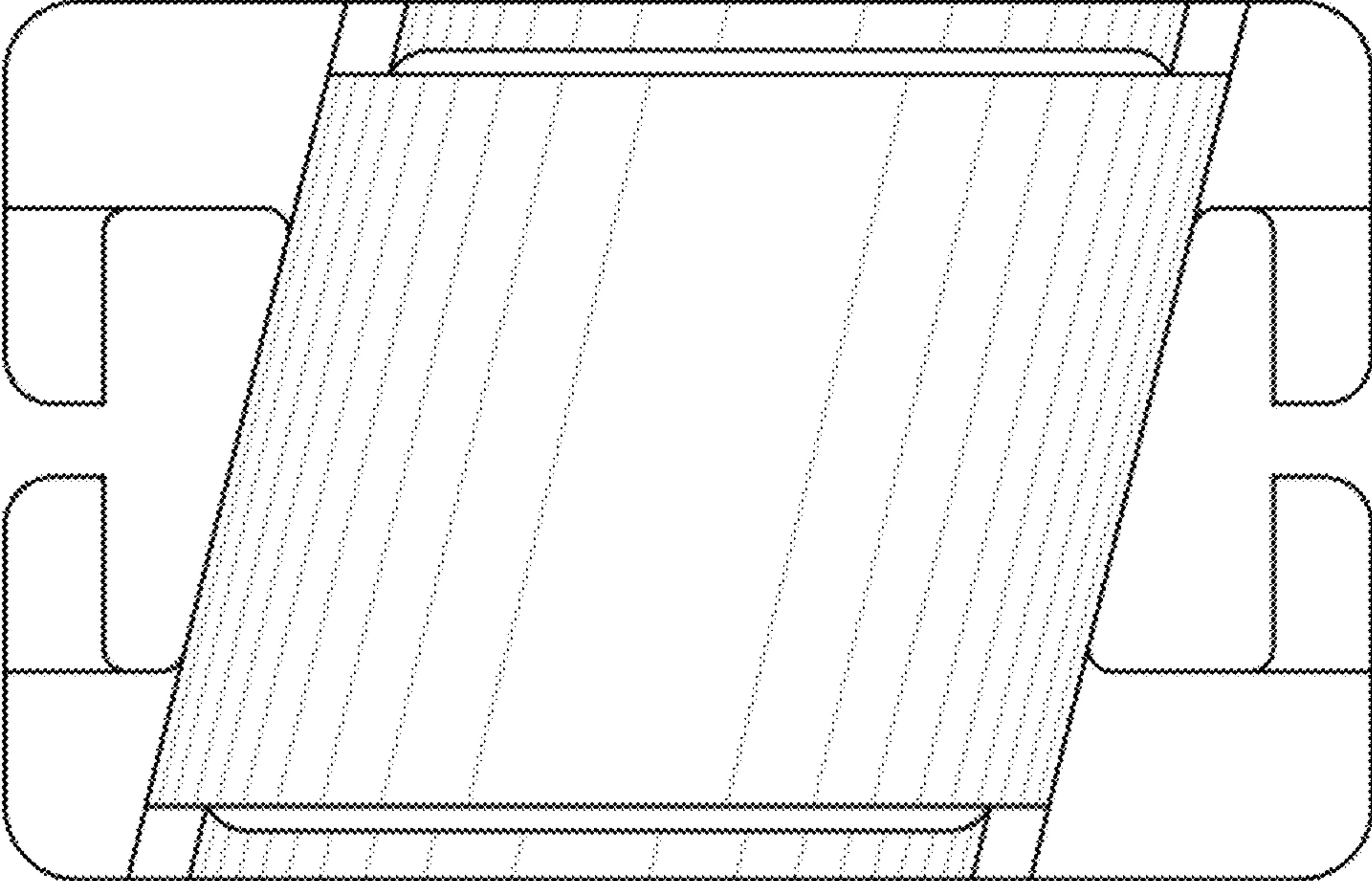
References Cited

U.S. PATENT DOCUMENTS

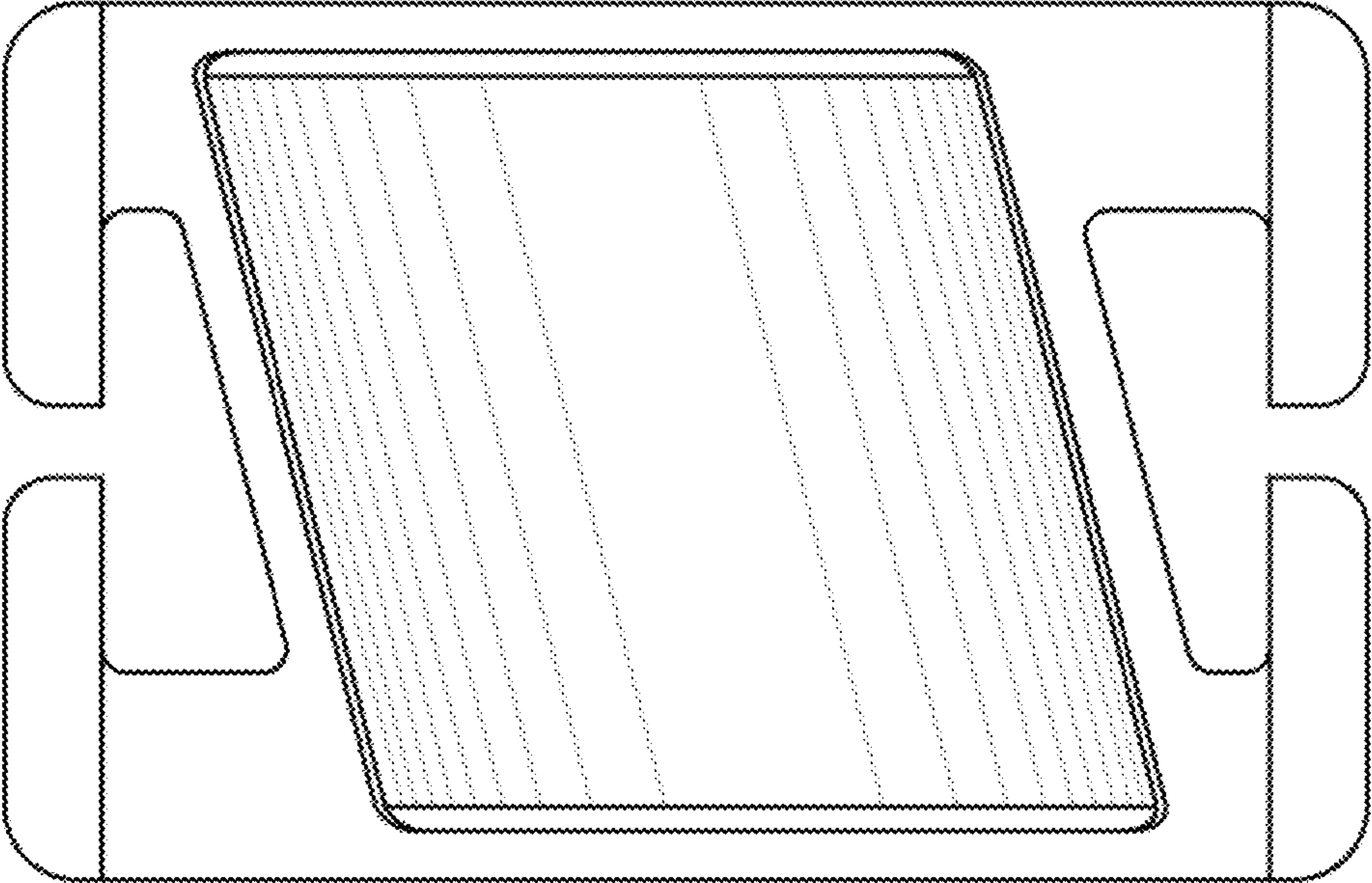
D799,372 S *	10/2017	Paik	D11/218
D815,982 S *	4/2018	Chang	D11/218
D817,225 S *	5/2018	Ressler	D11/218
D830,149 S *	10/2018	Pippus	D8/71
2016/0047166 A1 *	2/2016	Payne	E06C 7/14 248/205.2

* cited by examiner

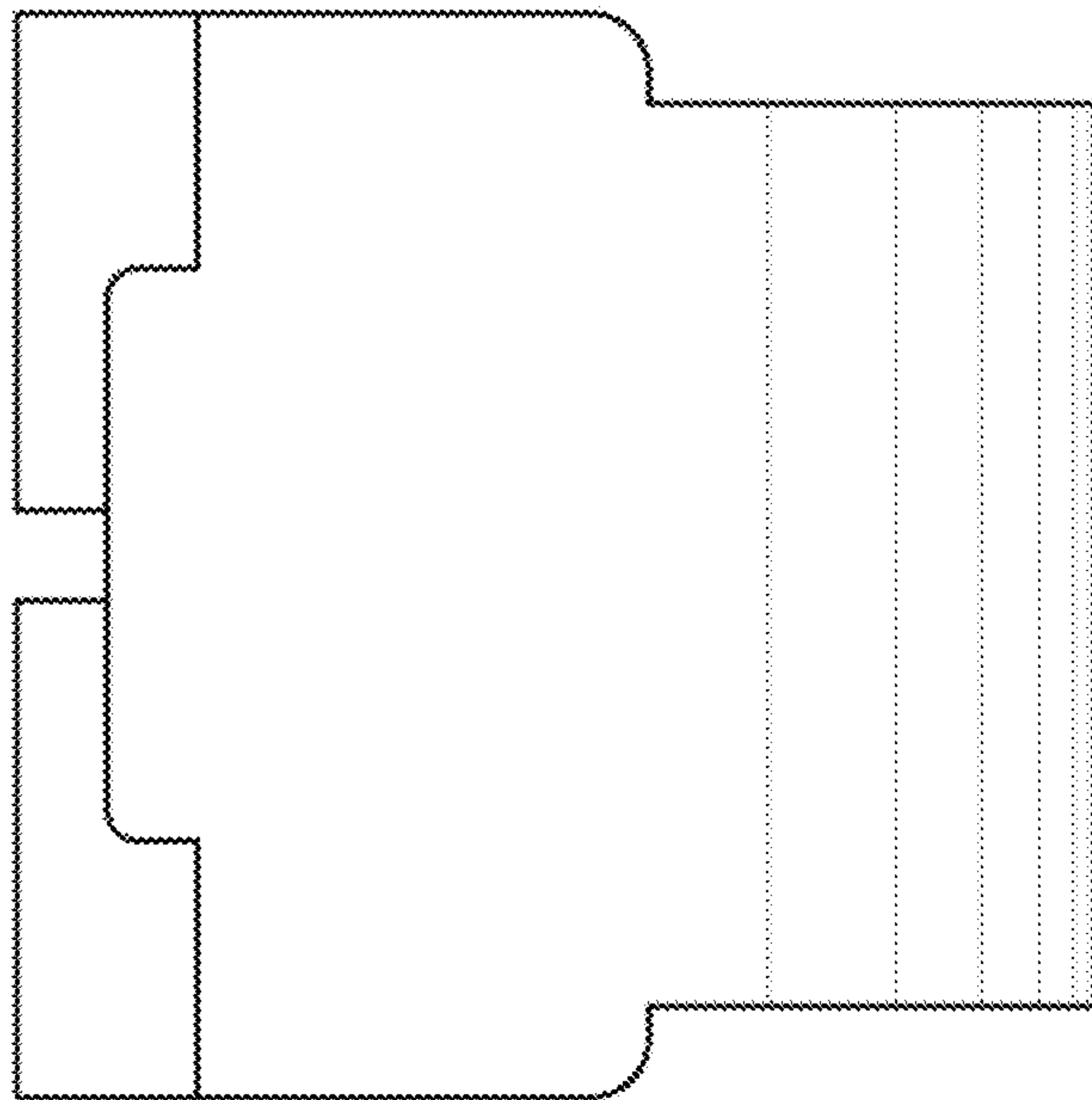
1.1



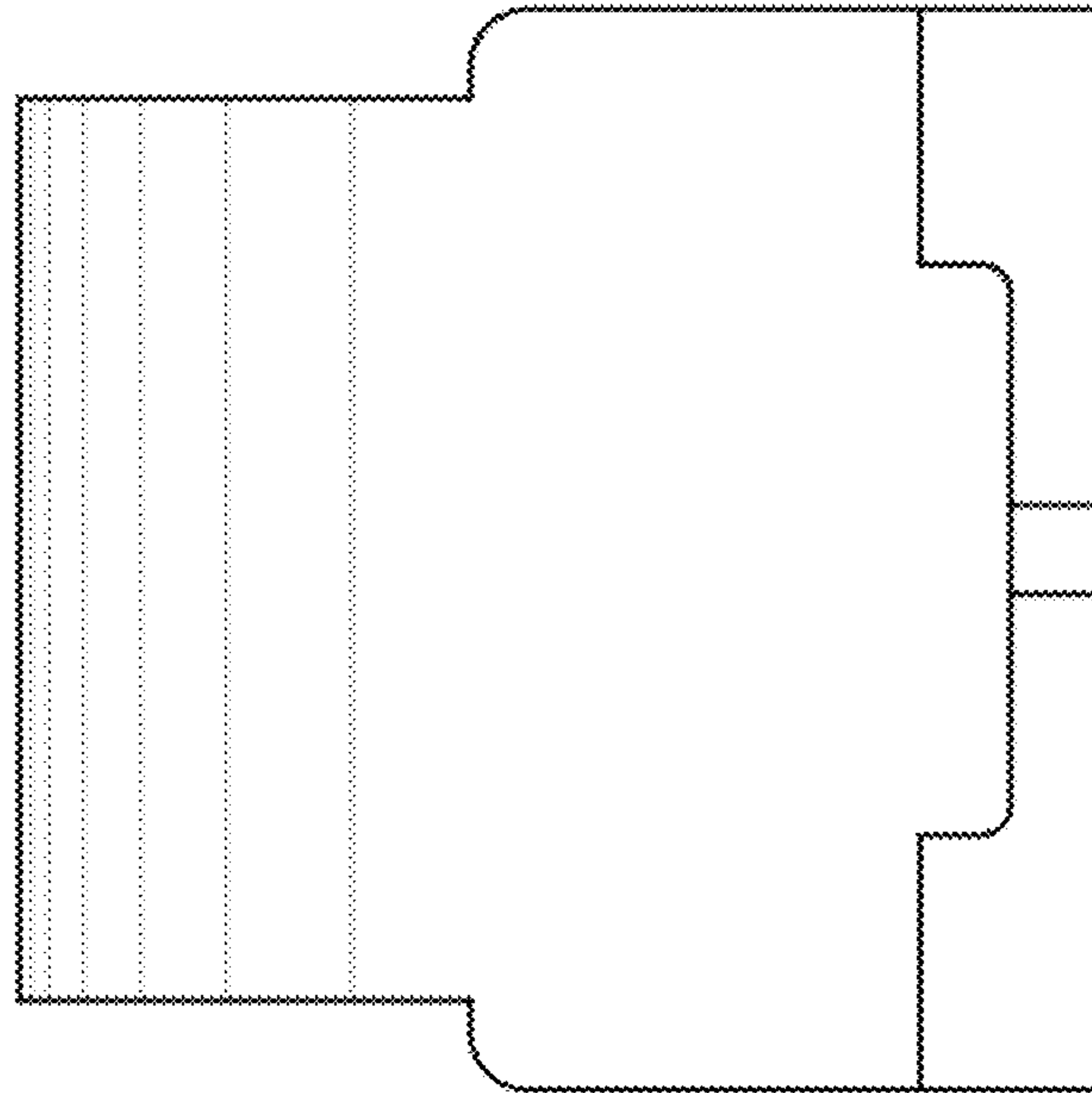
1.2



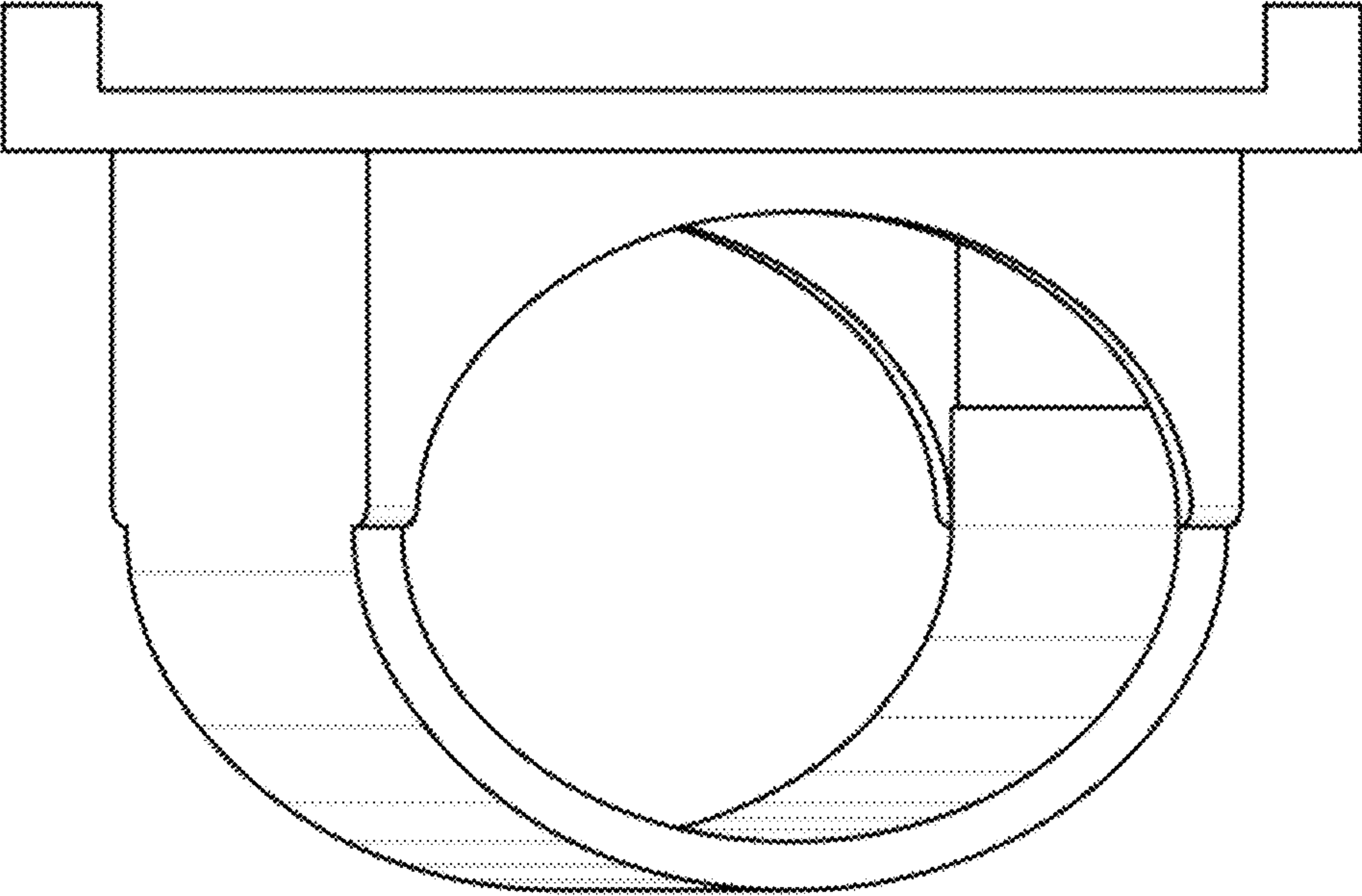
1.3



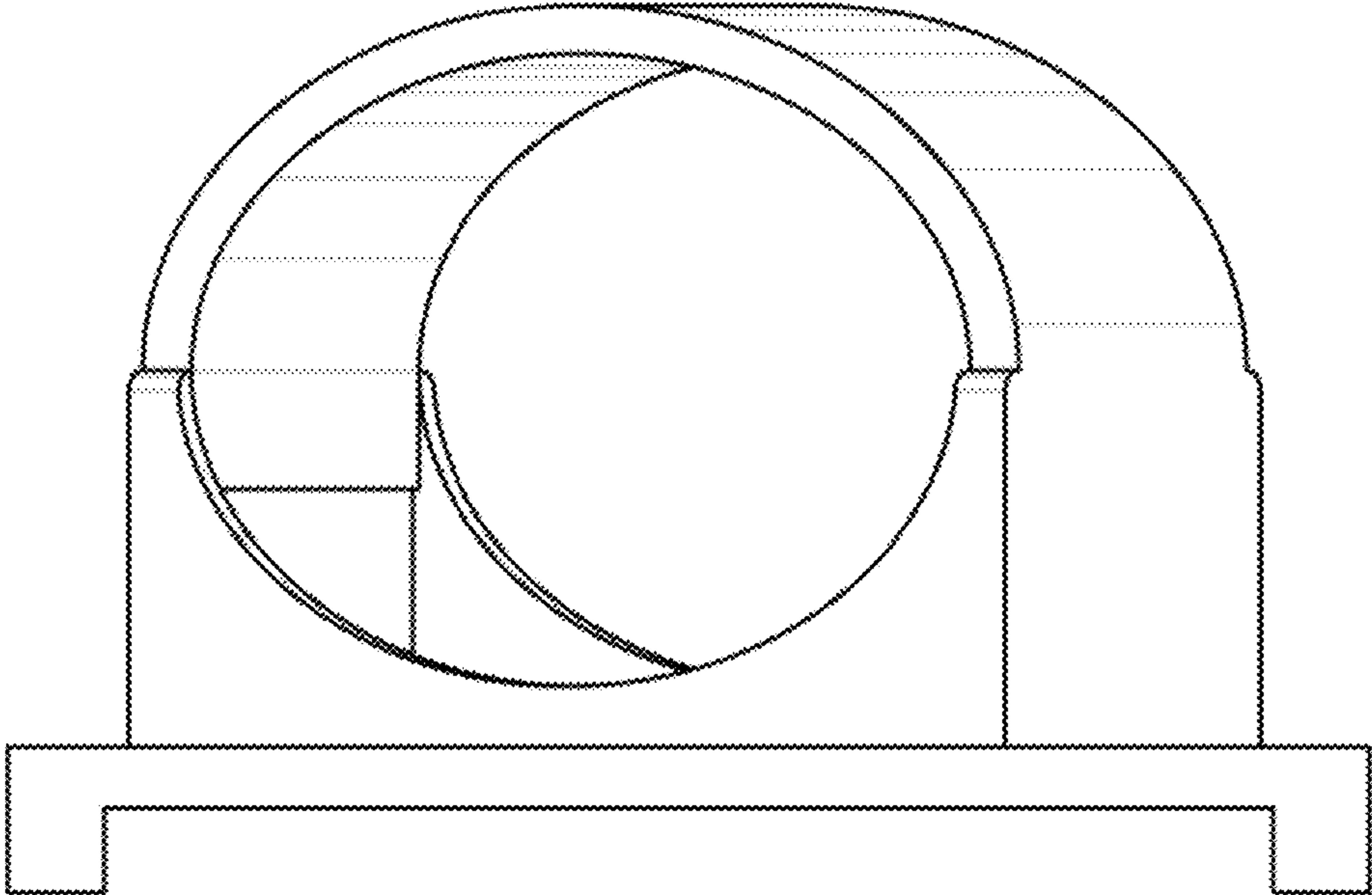
1.4



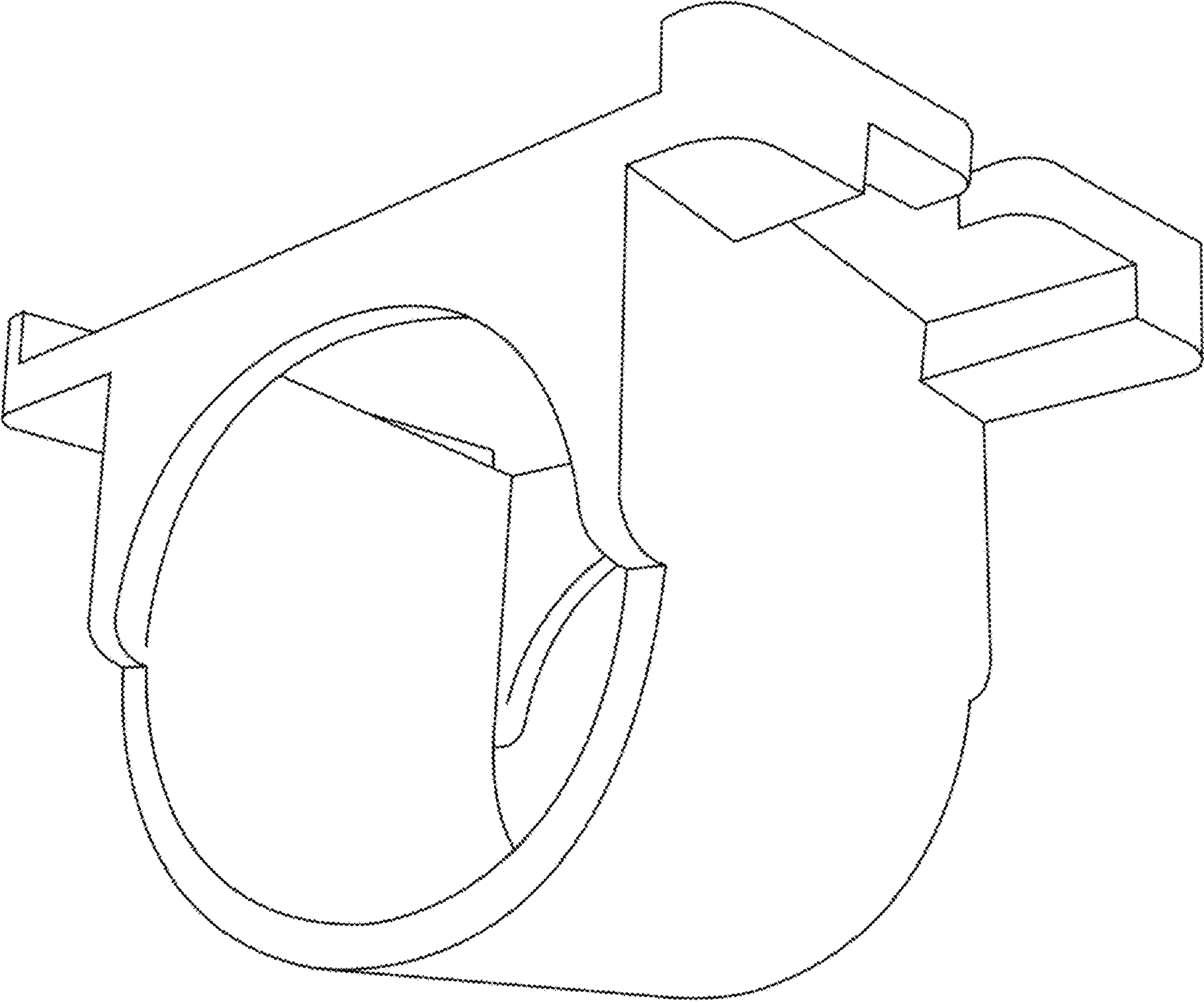
1.5



1.6



1.7



1.8

