



US00D854813S

(12) **United States Design Patent** (10) **Patent No.:** **US D854,813 S**  
**Urmston** (45) **Date of Patent:** **\*\* Jul. 30, 2019**

(54) **FLASK**  
(71) Applicant: **Charles Urmston**, Sherborn, MA (US)  
(72) Inventor: **Charles Urmston**, Sherborn, MA (US)  
(\*\*) Term: **15 Years**  
(21) Appl. No.: **29/636,600**  
(22) Filed: **Feb. 9, 2018**  
(51) **LOC (11) Cl.** ..... **03-01**  
(52) **U.S. Cl.**  
USPC ..... **D3/202**  
(58) **Field of Classification Search**  
USPC ..... D3/201, 202; D9/522, 523, 549, 544  
CPC ..... B65D 1/02; B65D 1/0223; B65D 1/0246;  
B65D 5/643; B65D 5/6614; B65D  
2575/583; B65D 39/0052; B65D 41/04;  
A45F 3/16  
See application file for complete search history.

D407,210 S \* 3/1999 Lauth, III ..... D3/202  
D413,432 S \* 9/1999 Much ..... D3/202  
D443,980 S \* 6/2001 Stewart ..... D3/202  
D521,230 S \* 5/2006 Linz ..... D3/202  
D592,958 S \* 5/2009 Perlmutter ..... D9/522  
D598,644 S \* 8/2009 Solari ..... D3/202  
D680,805 S \* 4/2013 Rosbach ..... D7/392.1  
D702,433 S \* 4/2014 Romley ..... D3/202  
D718,044 S \* 11/2014 Vargo ..... D3/202  
D720,923 S \* 1/2015 Hadden ..... D3/202  
9,067,804 B2 \* 6/2015 Jones ..... C02F 1/002  
D746,261 S \* 12/2015 Silvera ..... D14/207  
D806,379 S \* 1/2018 Korfonta ..... D3/202  
D806,468 S \* 1/2018 Goodwin ..... D7/392.1  
D812,894 S \* 3/2018 Hume ..... D3/202  
D816,983 S \* 5/2018 LiCalsi ..... D3/202  
D836,904 S \* 1/2019 Arman ..... D3/202

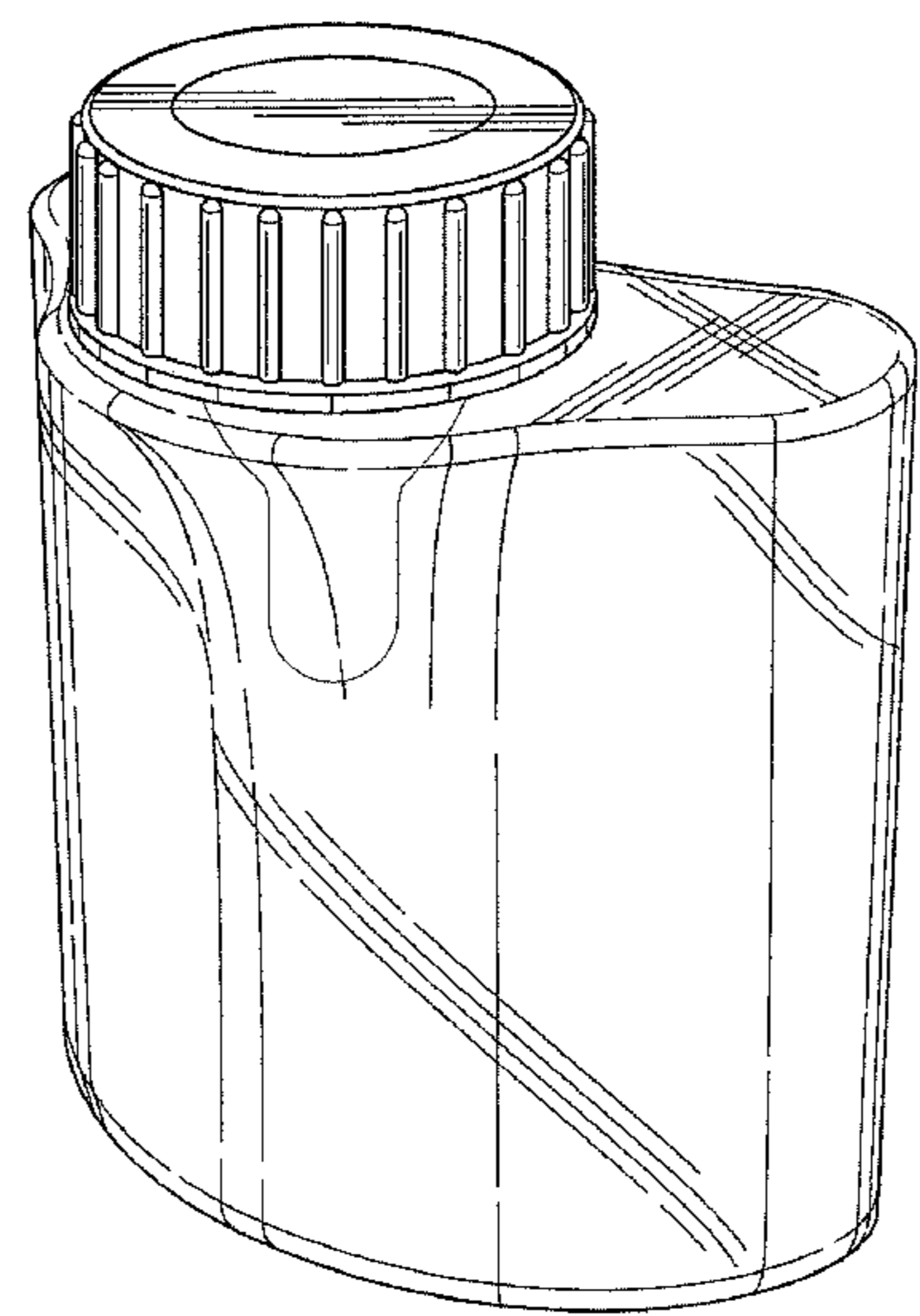
\* cited by examiner  
*Primary Examiner* — John Windmuller  
*Assistant Examiner* — Steven J Czyz  
(74) *Attorney, Agent, or Firm* — Brian M. Dingman;  
Dingman IP Law, PC

(56) **References Cited**  
U.S. PATENT DOCUMENTS  
D53,666 S \* 7/1919 Schwidetzky et al. .... D9/522  
2,422,747 A \* 6/1947 Prichard ..... A45F 3/18  
106/182.1  
3,323,684 A \* 6/1967 Furrer ..... A45F 3/16  
210/474  
3,335,917 A \* 8/1967 Knight ..... A45F 3/16  
210/453  
3,843,032 A \* 10/1974 Moran ..... A45F 3/16  
215/382  
4,272,768 A \* 6/1981 Rookard, Jr. .... H01Q 15/18  
215/12.2  
D315,829 S \* 4/1991 Covington ..... D3/202  
D356,469 S \* 3/1995 Musilli ..... D3/202  
5,819,980 A \* 10/1998 Hill ..... B65D 83/0011  
220/719

(57) **CLAIM**  
I claim the ornamental design for a flask, as shown and described.

**DESCRIPTION**  
FIG. 1 is a front, top perspective view of a flask;  
FIG. 2 is a front view of the flask;  
FIG. 3 is a rear view of the flask;  
FIG. 4 is a left side view of the flask;  
FIG. 5 is a right side view of the flask;  
FIG. 6 is a top view of the flask;  
FIG. 7 is a bottom view of the flask; and,  
FIG. 8 is a cross-sectional view of the flask, taken along line 8-8 in FIG. 6.

**1 Claim, 7 Drawing Sheets**



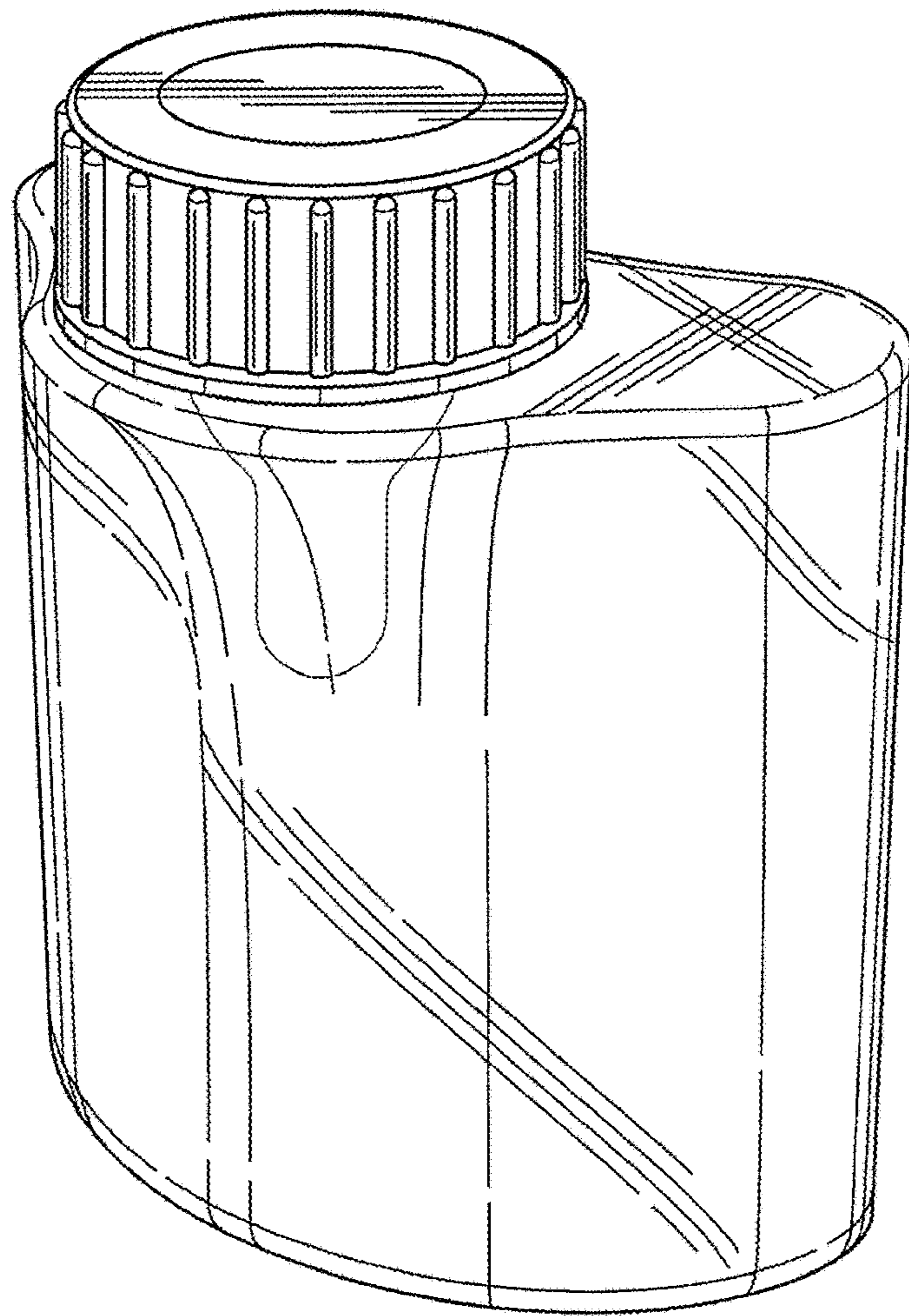


FIG. 1

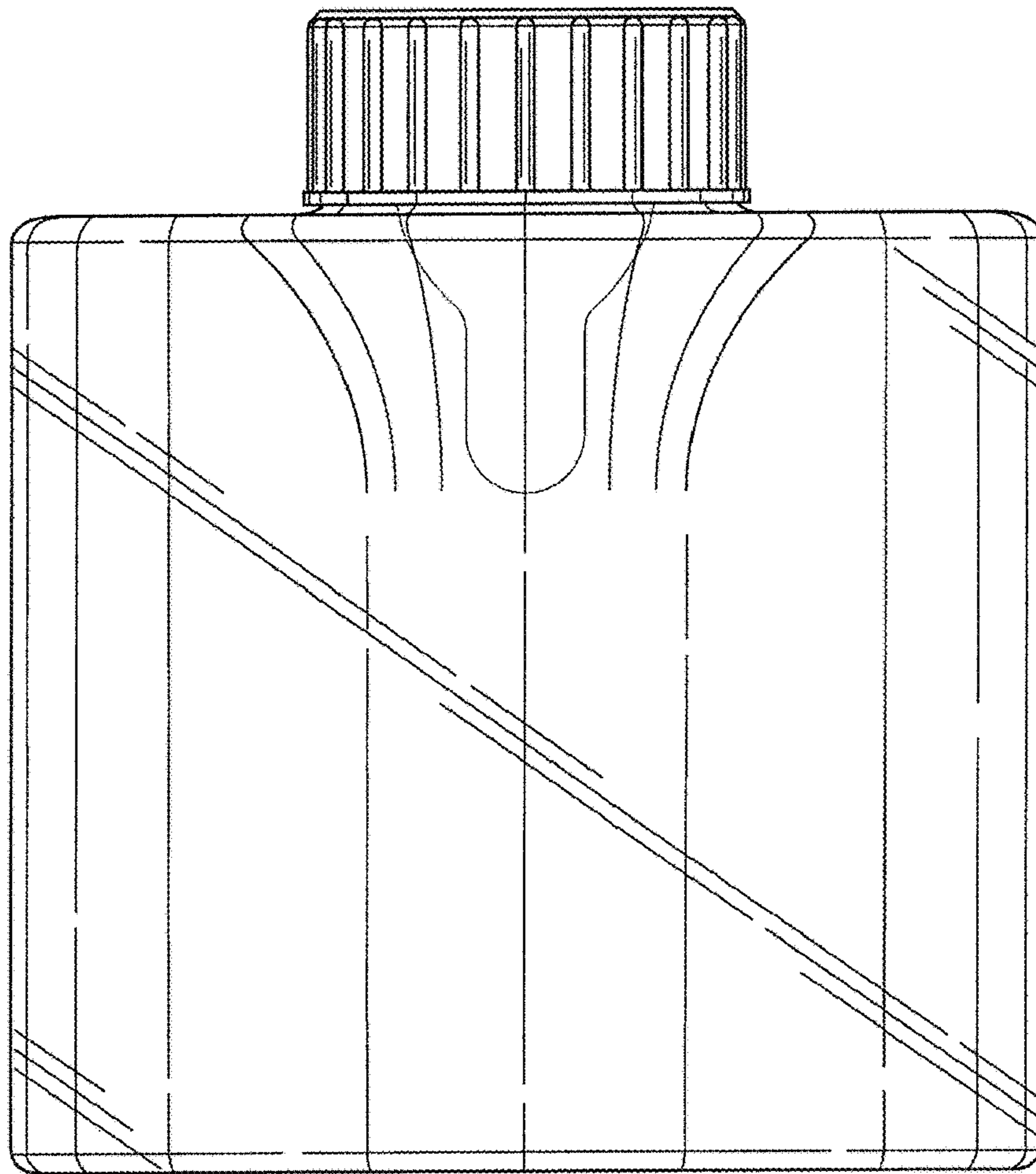


FIG. 2

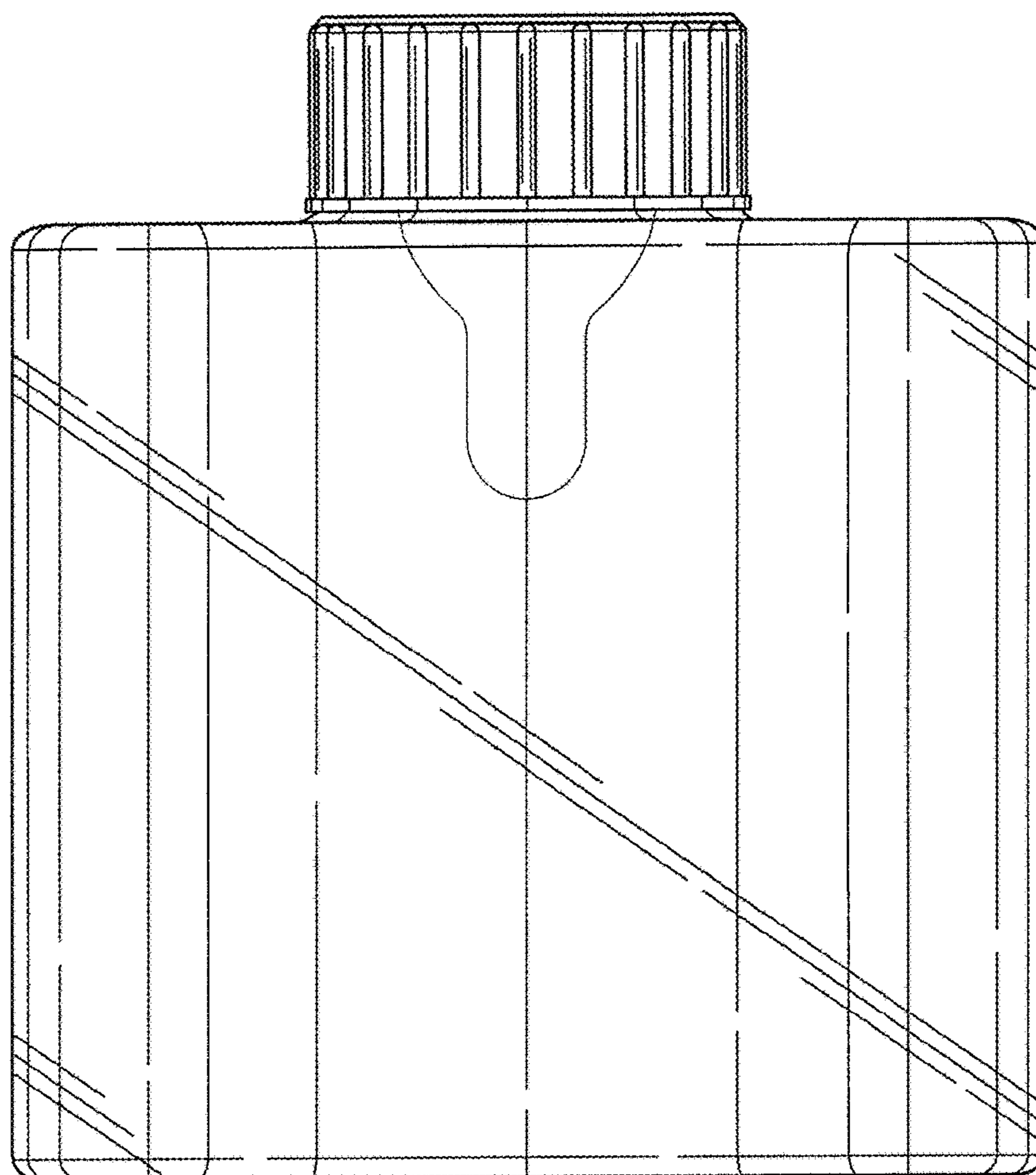


FIG. 3

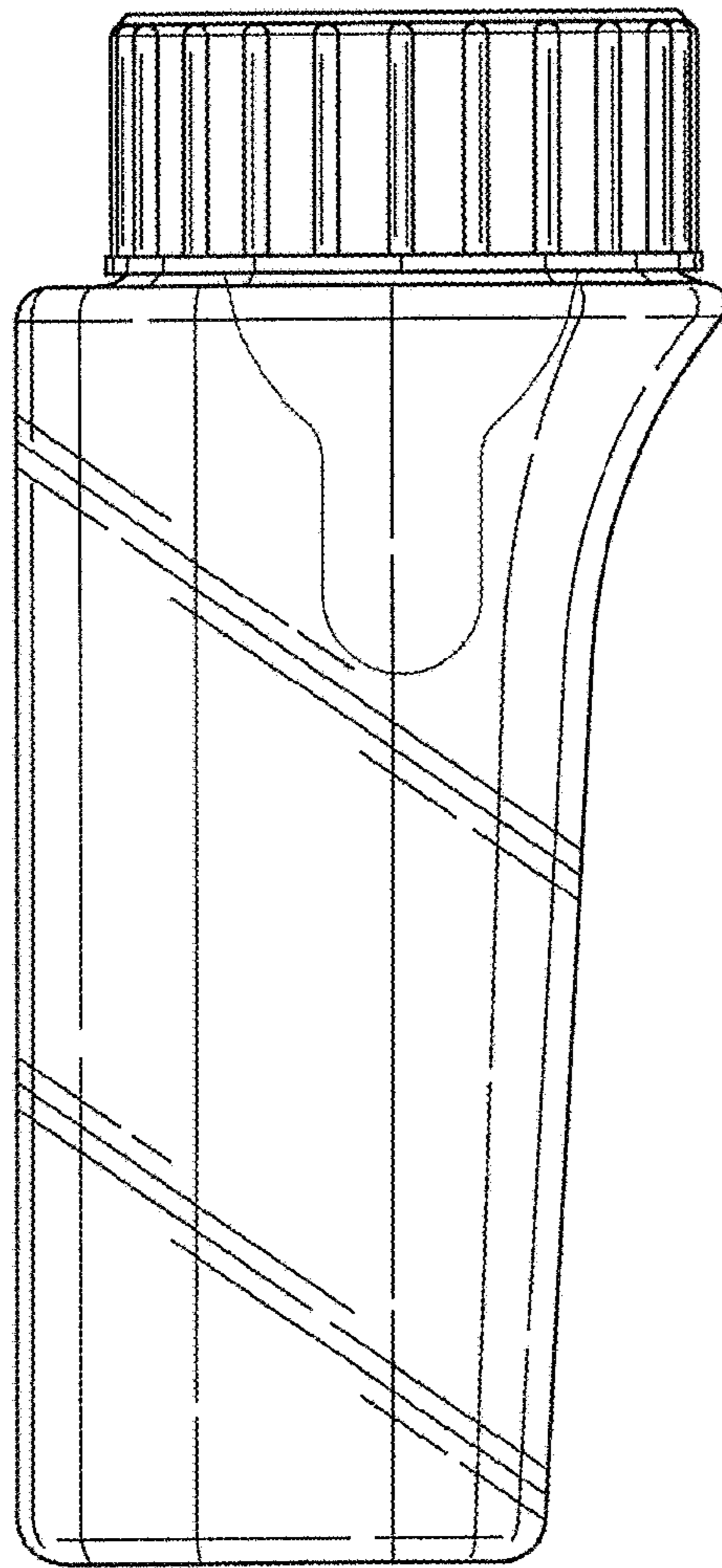


FIG. 4

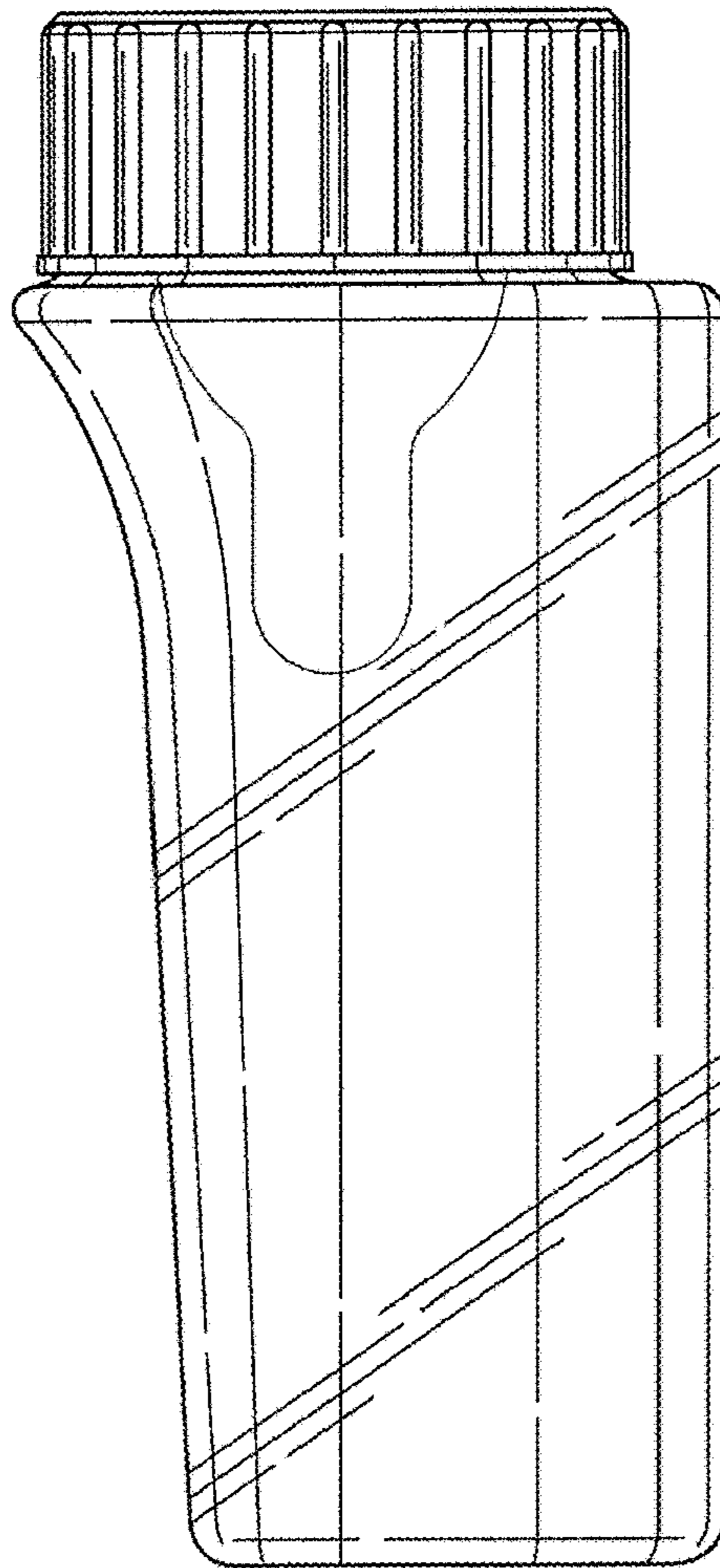


FIG. 5

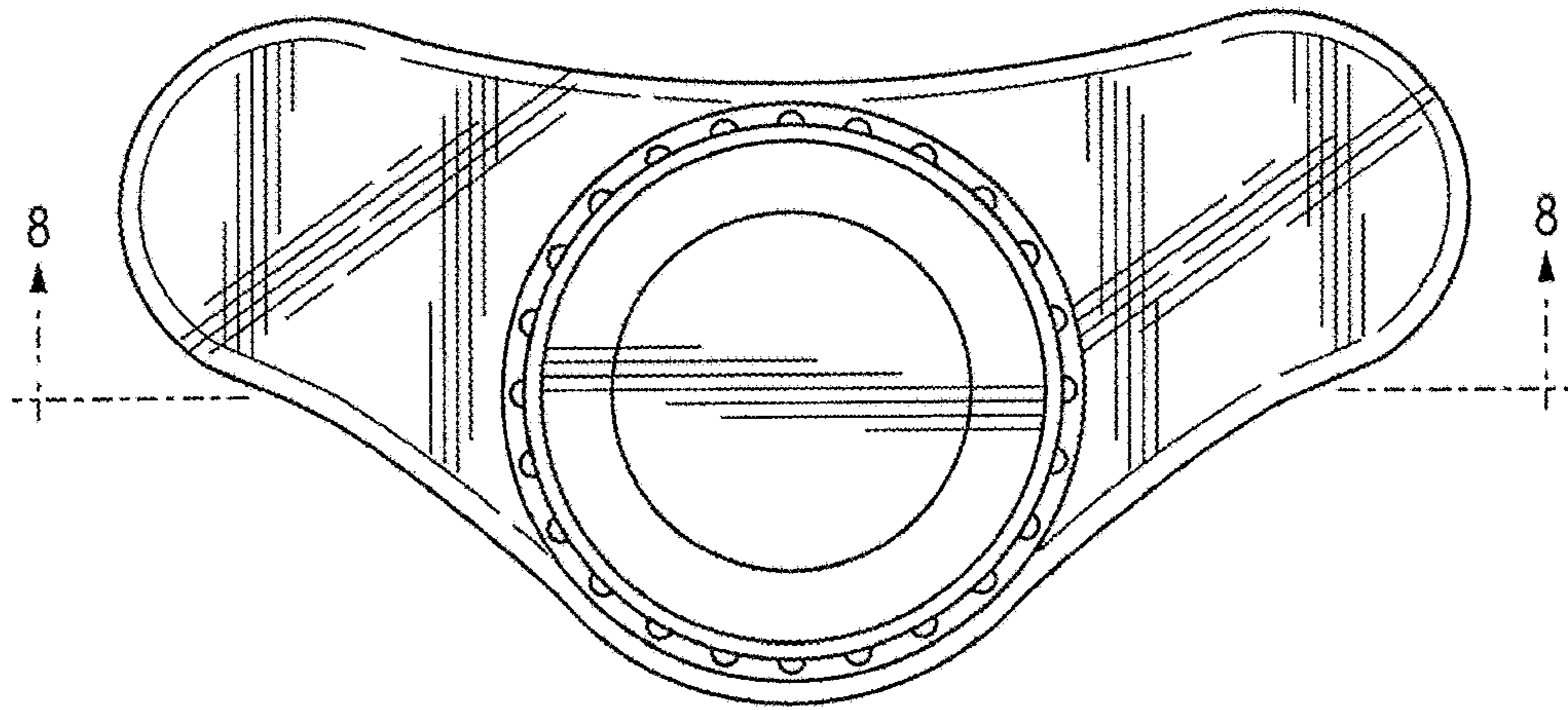


FIG. 6

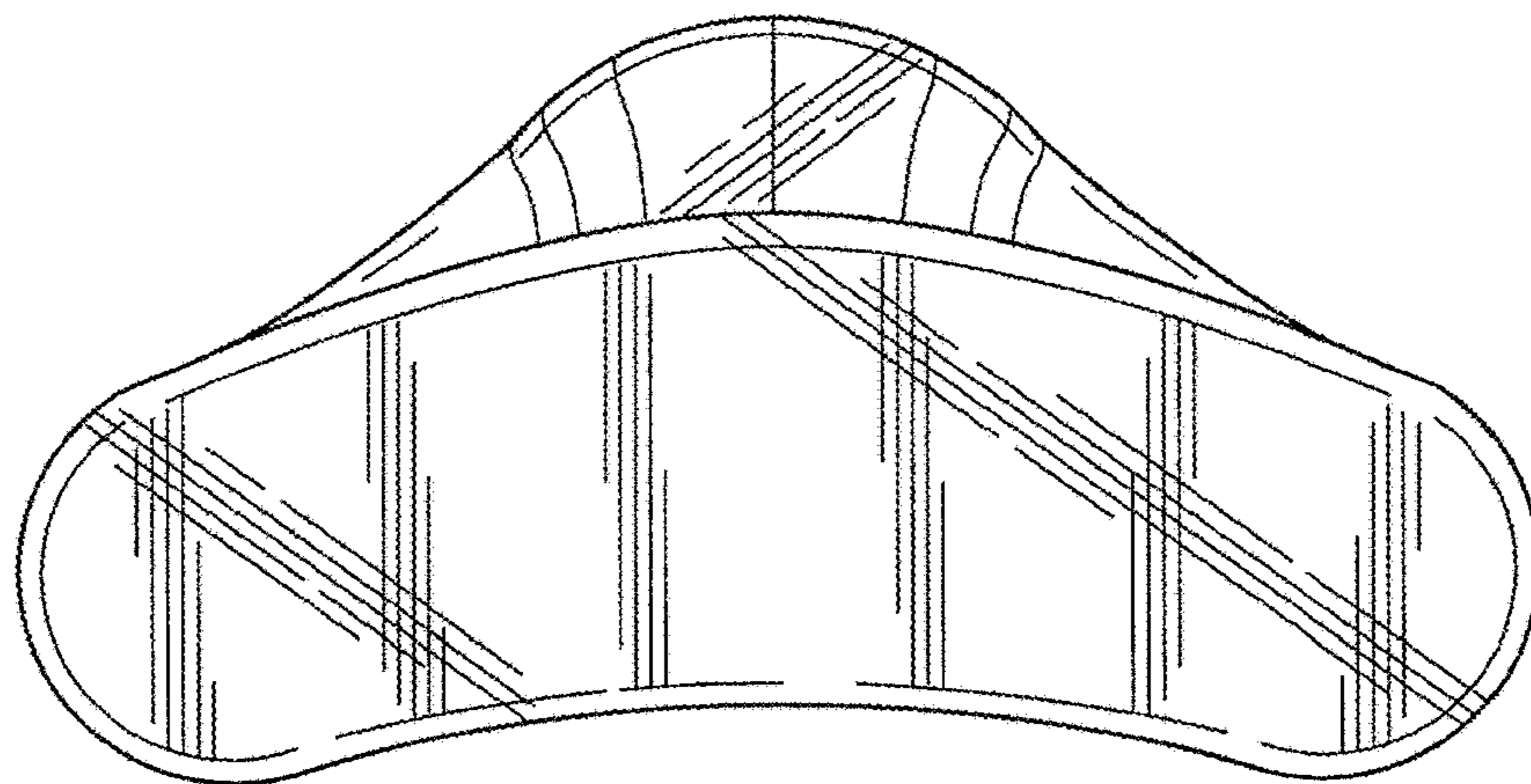


FIG. 7

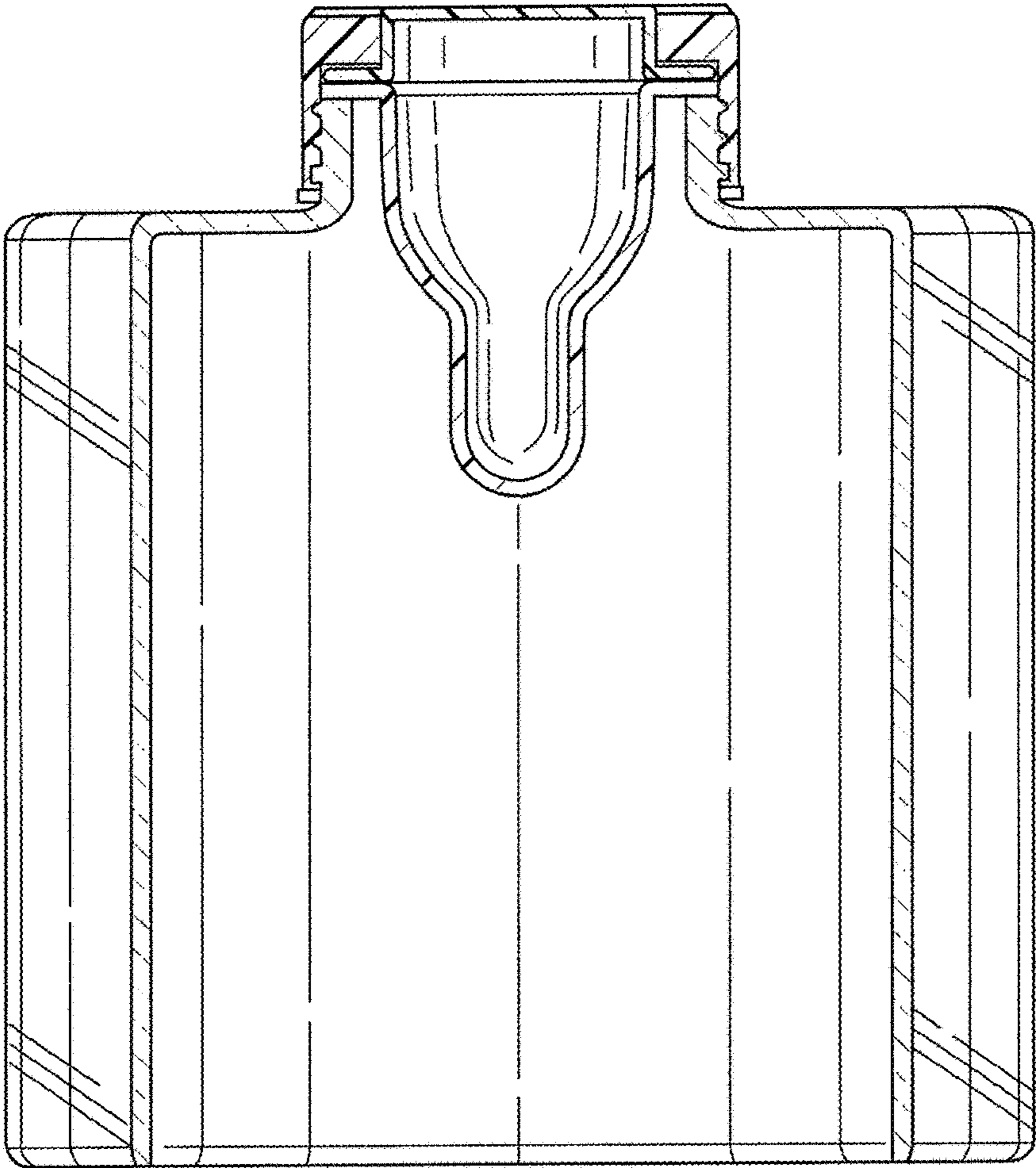


FIG. 8