



US00D854800S

(12) **United States Design Patent** (10) **Patent No.:** **US D854,800 S**
Marvin et al. (45) **Date of Patent:** **** Jul. 30, 2019**

(54) **SHOE**

(71) Applicant: **Reebok International Limited**, London (GB)

(72) Inventors: **William Marvin**, Canton, MA (US);
Brian Christensen, Centerville, MA (US)

(73) Assignee: **Reebok International Limited**, London (GB)

(**) Term: **15 Years**

(21) Appl. No.: **29/582,137**

(22) Filed: **Oct. 25, 2016**

Related U.S. Application Data

(60) Continuation of application No. 29/532,592, filed on Jul. 8, 2015, now Pat. No. Des. 770,153, which is a division of application No. 29/450,820, filed on Mar. 22, 2013, now Pat. No. Des. 734,008.

(51) **LOC (11) Cl.** **02-04**

(52) **U.S. Cl.**
USPC **D2/957; D2/947; D2/951; D2/959; D2/960**

(58) **Field of Classification Search**

USPC D2/902, 906, 908, 916, 918, 925, D2/946-962, 977; 36/3 B, 22 R, 24.5, 36/25 R, 28, 32 R, 34 R, 59 C, 67 A, 103
CPC A43B 13/00; A43B 13/02; A43B 13/023; A43B 13/026; A43B 13/04; A43B 13/08; A43B 13/10; A43B 13/12; A43B 13/14; A43B 13/141; A43B 13/143; A43B 13/16; A43B 13/18; A43B 13/181; A43B 13/187; A43B 13/189; A43B 13/20; A43B 13/22; A43B 13/223; A43B 13/224; A43B 13/28; A43B 13/30; A43B 13/32; A43B 13/34; A43B 13/36

See application file for complete search history.

(56) **References Cited**

U.S. PATENT DOCUMENTS

D236,563 S	9/1975	Wunsch	
D281,642 S	12/1985	Fuzita	
D288,027 S	2/1987	Tonkel	
5,901,467 A	5/1999	Peterson et al.	
D474,586 S	5/2003	Recchi	
D520,220 S	5/2006	Morgan et al.	
D521,715 S	5/2006	Lotti	
D547,037 S *	7/2007	Nakano	D2/954
D552,837 S	10/2007	Scott	
D580,141 S *	11/2008	Banik	D2/951
D594,195 S	6/2009	Nakano	
D601,334 S	10/2009	Werman	

(Continued)

FOREIGN PATENT DOCUMENTS

JP	3045628 U	11/1997
JP	2003-516781 A	5/2003

Primary Examiner — T Chase Nelson

(74) *Attorney, Agent, or Firm* — Sterne, Kessler, Goldstein & Fox P.L.L.C.

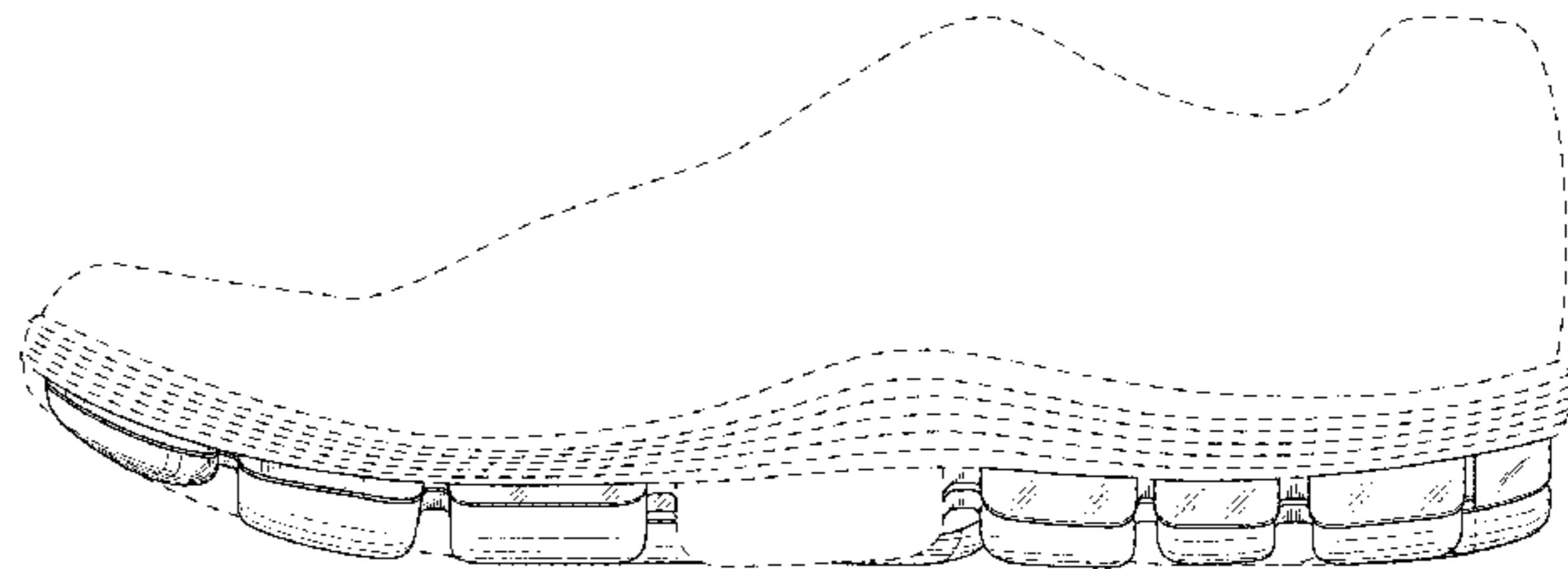
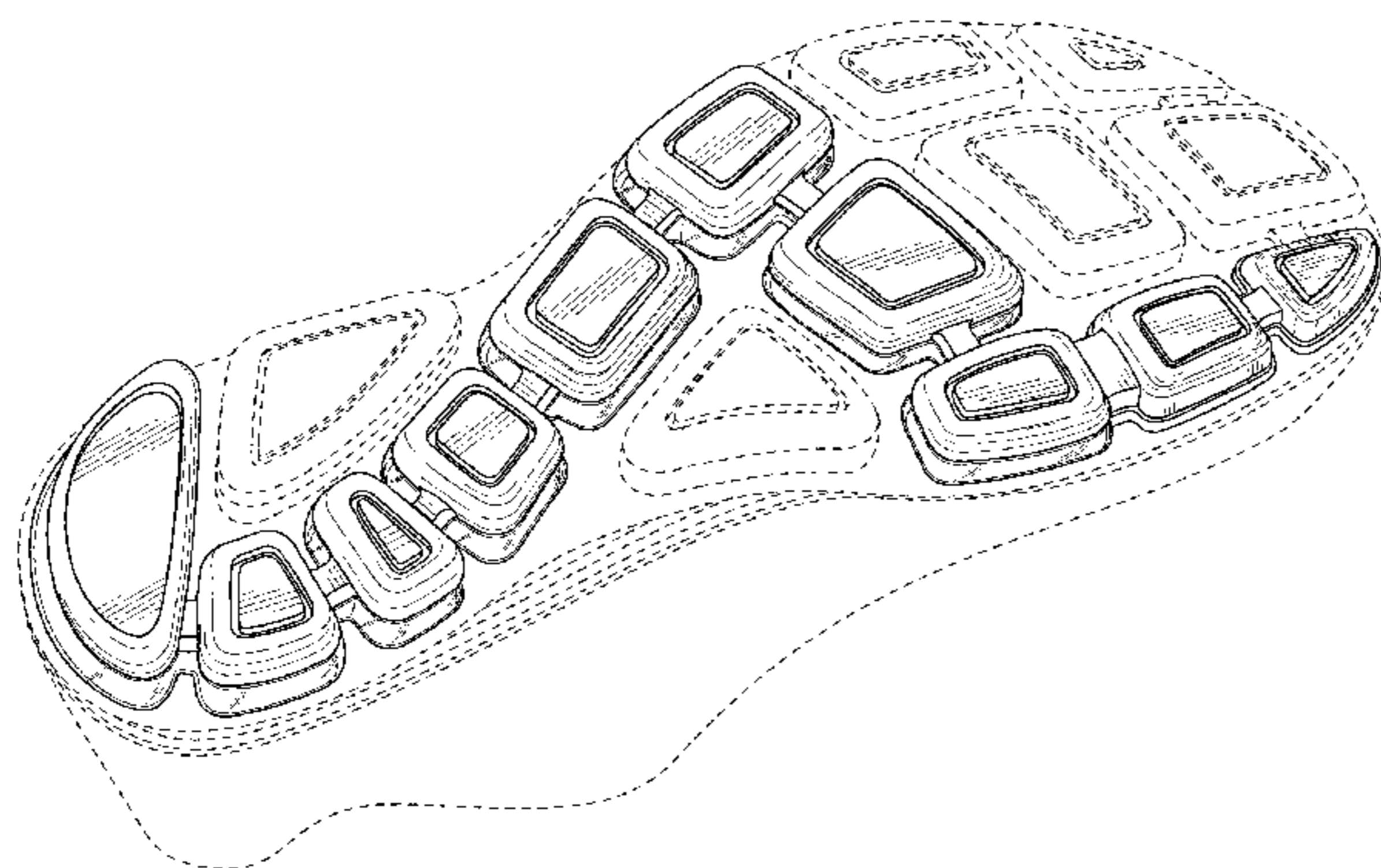
(57) **CLAIM**

The ornamental design for a shoe, as shown and described.

DESCRIPTION

FIG. 1 is a bottom rear perspective view of a shoe showing the claimed design;
FIG. 2 is another bottom rear perspective view thereof;
FIG. 3 is a left side view thereof;
FIG. 4 is a right side view thereof;
FIG. 5 is a bottom view thereof;
FIG. 6 is a front view thereof; and,
FIG. 7 is a rear view thereof.
The broken lines in the figures show portions of the shoe that form no part of the claimed design.

1 Claim, 6 Drawing Sheets



(56)

References Cited

U.S. PATENT DOCUMENTS

D602,237 S *	10/2009	Roundhouse	D2/951	D770,153 S *	11/2016	Marvin	D2/951
D607,193 S	1/2010	Recchi			D773,163 S *	12/2016	Raasch	D2/951
7,762,008 B1	7/2010	Clark et al.			D776,903 S *	1/2017	Howe	D2/947
D624,293 S	9/2010	Recchi et al.			D779,176 S *	2/2017	Young	D2/951
D626,320 S	11/2010	Anderson			D781,040 S *	3/2017	Scofield	D2/947
D630,420 S	1/2011	Truelsen			D783,966 S *	4/2017	Raasch	D2/951
7,941,938 B2	5/2011	Yu et al.			D786,544 S *	5/2017	Marvin	D2/947
D642,362 S	8/2011	Miner			D788,421 S *	6/2017	Gibson	D2/951
8,082,684 B2	12/2011	Munns			9,717,303 B2 *	8/2017	Walker	A43B 13/18
8,099,880 B2	1/2012	Brewer et al.			D796,167 S *	9/2017	Bates	A43B 13/184
D653,437 S	2/2012	Mongelli							D2/947
D659,967 S	5/2012	Miner			9,879,133 B2 *	1/2018	Baghdadi	C08L 23/0853
8,181,365 B2	5/2012	Cass et al.			2005/0262739 A1	12/2005	McDonald et al.		
D672,543 S	12/2012	Williams, Jr.			2008/0022553 A1	1/2008	McDonald et al.		
D675,002 S	1/2013	Marvin et al.			2008/0244926 A1	10/2008	Yu et al.		
D681,319 S	5/2013	Schwartz			2008/0289221 A1	11/2008	Munns		
D683,117 S	5/2013	Truelsen			2010/0005684 A1	1/2010	Nishiwaki et al.		
D685,566 S	7/2013	Pope			2010/0170106 A1	7/2010	Brewer et al.		
D703,931 S	5/2014	Bikowski			2010/0180474 A1	7/2010	Clark et al.		
D707,433 S	6/2014	Grott et al.			2011/0078922 A1	4/2011	Cavaliere et al.		
8,752,307 B2	6/2014	Cooper et al.			2011/0154688 A1	6/2011	Yu et al.		
D708,430 S	7/2014	Weeks			2011/0185590 A1	8/2011	Nishiwaki et al.		
8,863,407 B2	10/2014	Nishiwaki et al.			2011/0197469 A1	8/2011	Nishiwaki et al.		
D717,527 S	11/2014	Truelsen			2011/0214313 A1	9/2011	James et al.		
8,938,889 B2	1/2015	Rosa et al.			2012/0073160 A1	3/2012	Marvin et al.		
D724,297 S	3/2015	Oliver			2012/0222332 A1	9/2012	Greene et al.		
D725,359 S	3/2015	Miner			2013/0212909 A1	8/2013	Bates et al.		
D725,881 S	4/2015	Weeks			2014/0013617 A1	1/2014	Montross et al.		
D734,008 S *	7/2015	Marvin	D2/951	2014/0283413 A1	9/2014	Christensen et al.		
D734,930 S	7/2015	Bikowski			2014/0310991 A1	10/2014	Greene et al.		
D736,509 S	8/2015	Bikowski			2014/0360052 A1	12/2014	Keating et al.		
D738,079 S	9/2015	Bates et al.			2015/0135558 A1	5/2015	Inomata et al.		
9,155,353 B2	10/2015	James et al.			2016/0219972 A1 *	8/2016	Davies	A43B 7/1465
D742,106 S	11/2015	Taestensen			2016/0295968 A1 *	10/2016	Campos, II	A43B 13/20
D746,561 S	1/2016	Bikowski			2017/0020228 A1 *	1/2017	Scofield	A43B 13/181
D770,152 S *	11/2016	Fogg	D2/951	2017/0245587 A1 *	8/2017	Bates	A43B 13/184
					2017/0265565 A1 *	9/2017	Connell	A43B 13/20
					2017/0273401 A1 *	9/2017	Hatfield	A43B 13/141
					2018/0055144 A1 *	3/2018	Bischoff	A43B 13/186

* cited by examiner

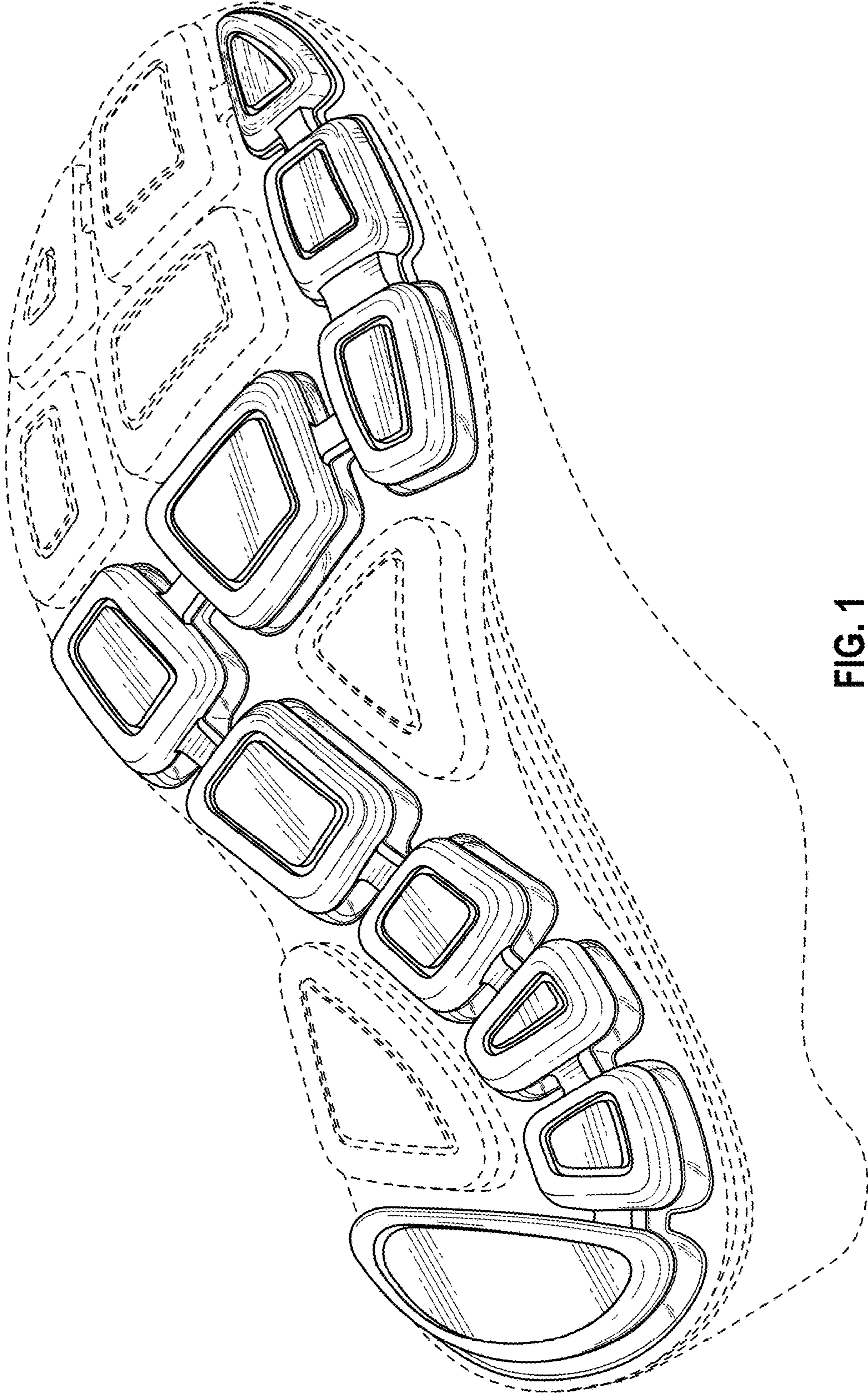


FIG. 1

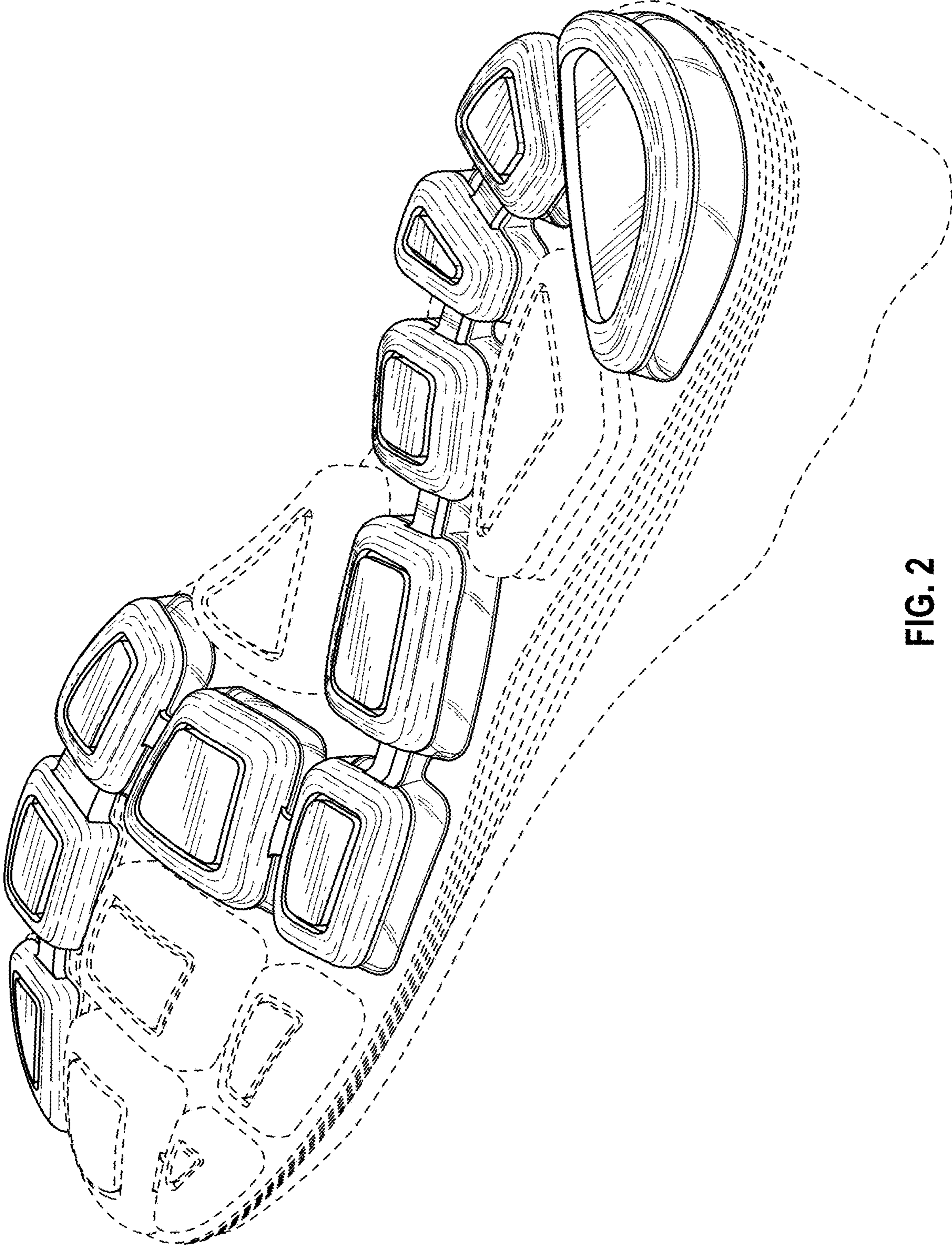


FIG. 2

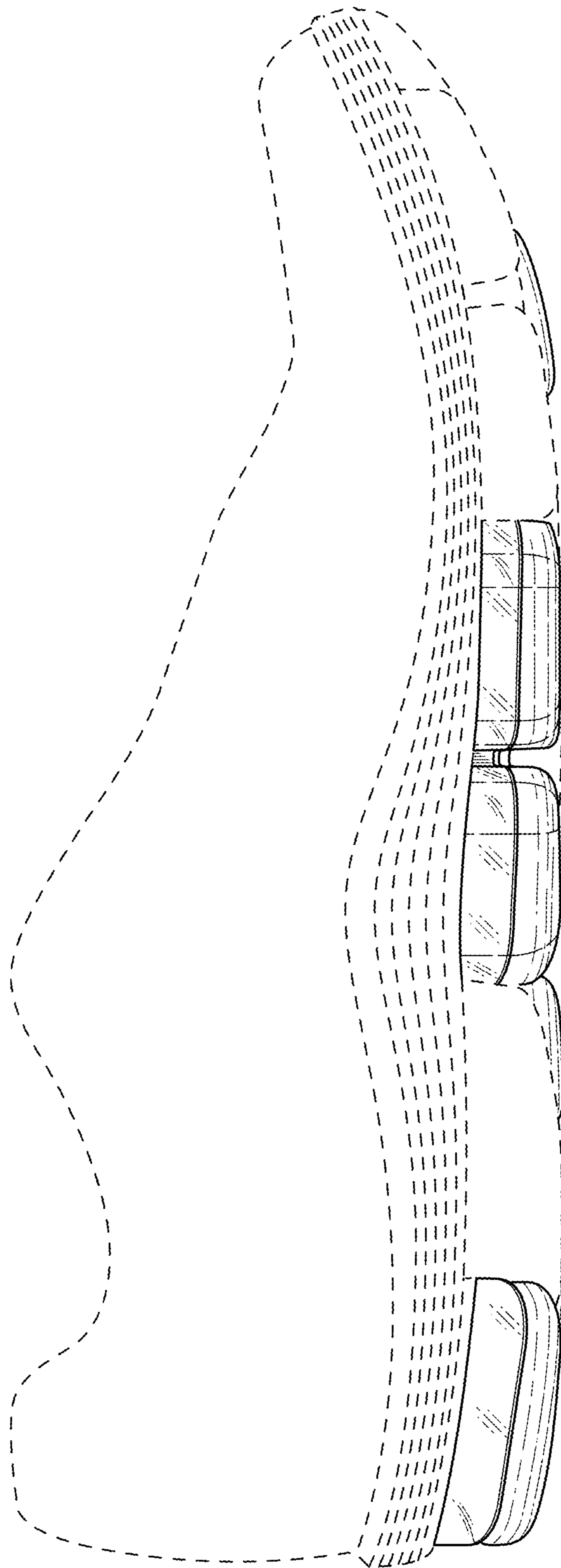


FIG. 3

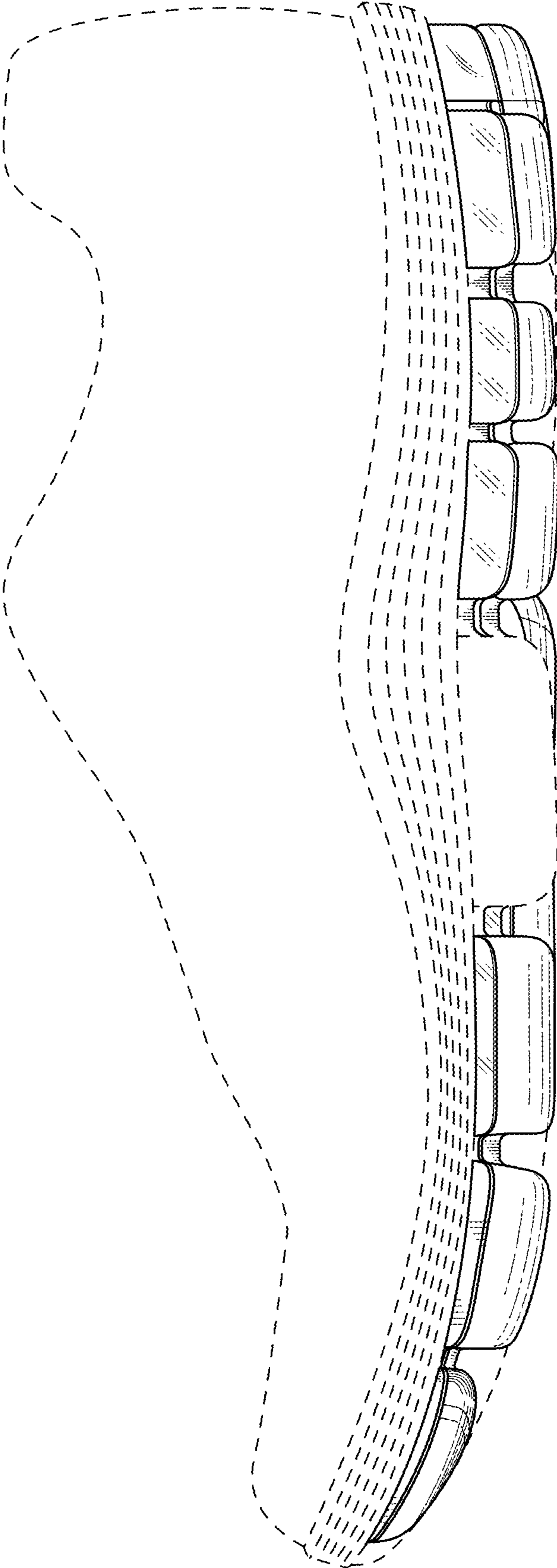


FIG. 4

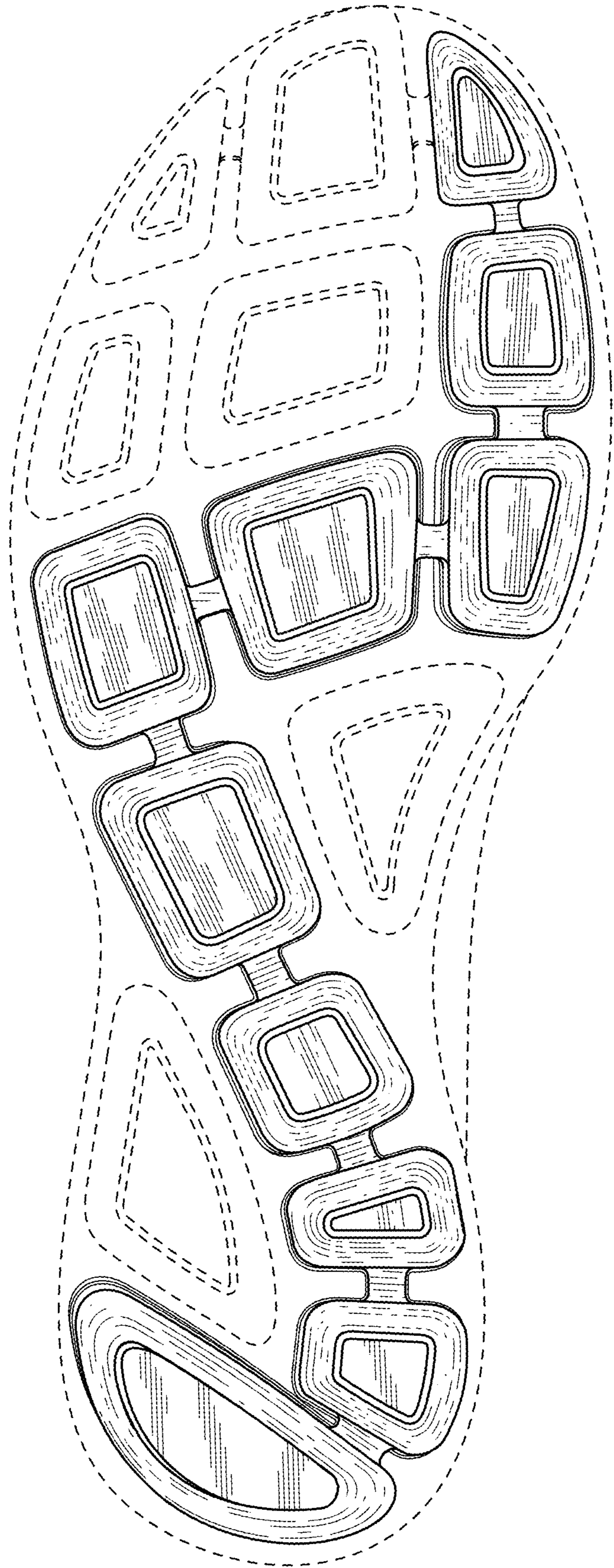


FIG. 5

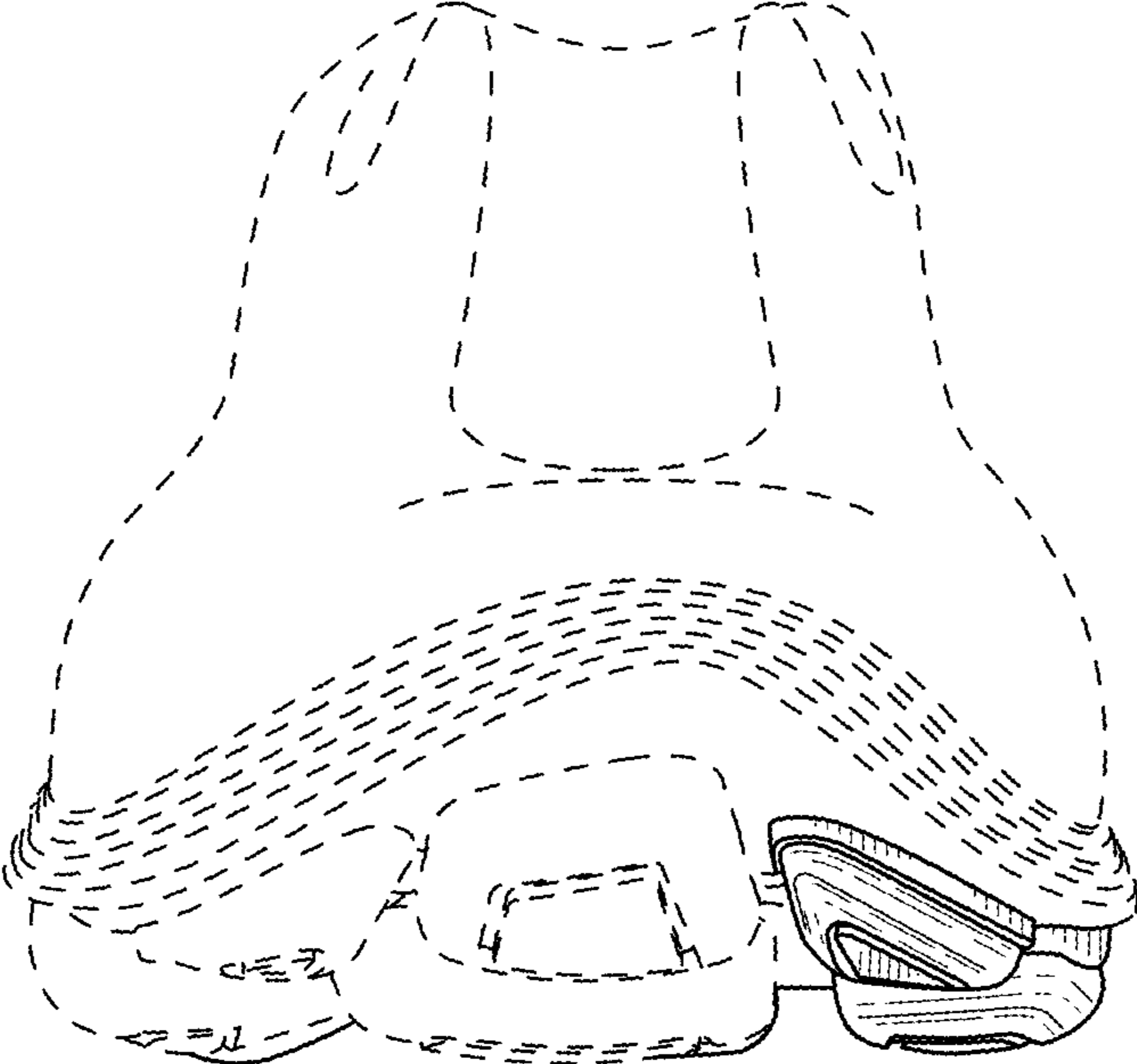


FIG. 6

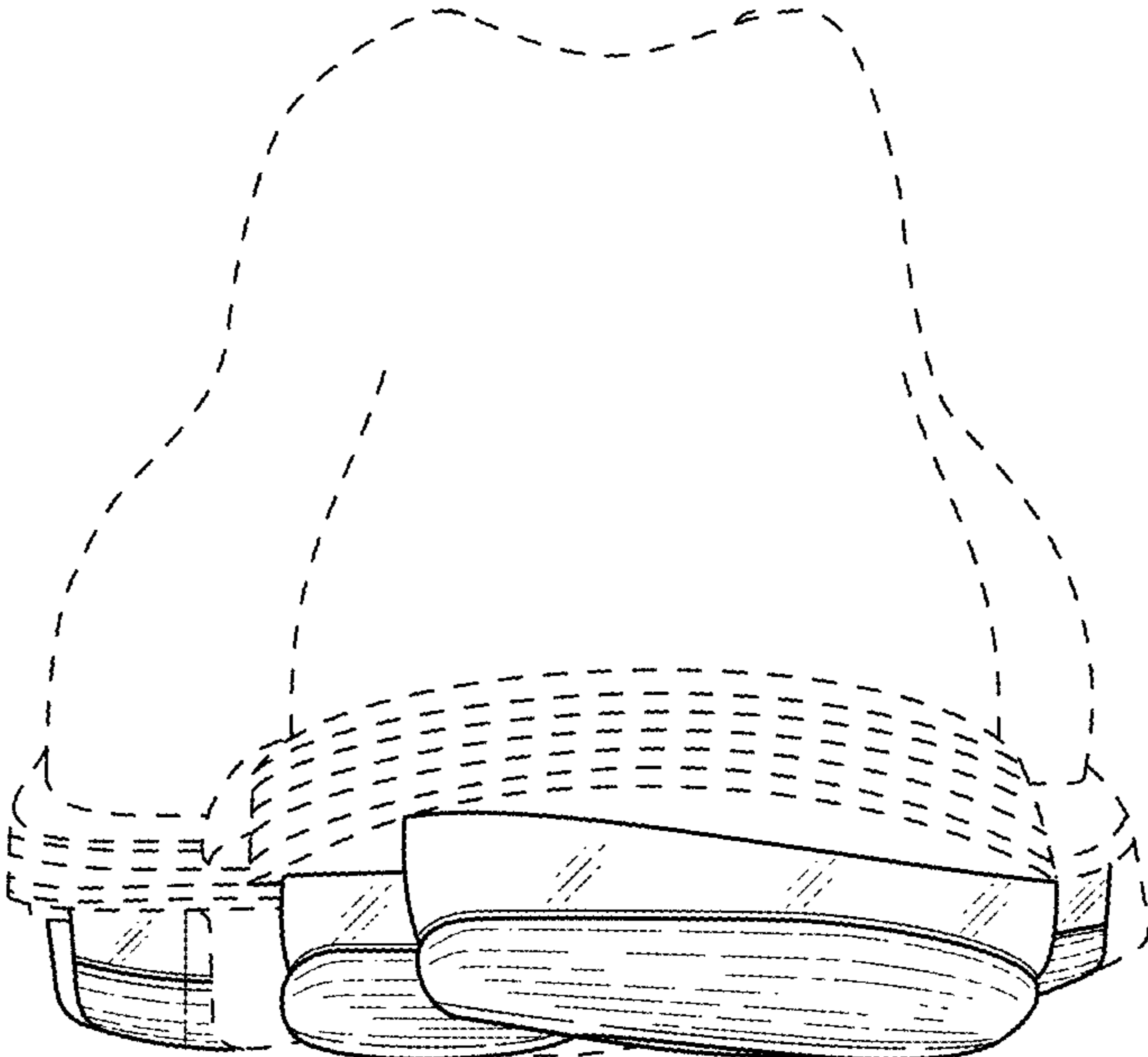


FIG. 7