



US00D854788S

(12) **United States Design Patent**
Skurla, III

(10) **Patent No.:** **US D854,788 S**
(45) **Date of Patent:** **** Jul. 30, 2019**

(54) **RAIN JACKET**

(71) Applicant: **Acushnet Company**, Fairhaven, MA
(US)

(72) Inventor: **Peter J. Skurla, III**, Bridgewater, MA
(US)

(73) Assignee: **Acushnet Company**, Fairhaven, MA
(US)

(**) Term: **15 Years**

(21) Appl. No.: **29/602,877**

(22) Filed: **May 4, 2017**

(51) **LOC (11) Cl.** **02-02**

(52) **U.S. Cl.**
USPC **D2/839**

(58) **Field of Classification Search**
USPC D2/706-708, 728, 731, 732, 750-753,
D2/828-839, 847, 848, 853, 857;
D29/101.3; D5/53, 55, 59, 61
CPC A41C 3/0057; A41C 3/08; A41C 3/12;
A41D 1/18; A41D 13/0007; A41D
13/0015; A41D 13/0017; A41D 3/00;
A41D 3/02; A41D 3/04
See application file for complete search history.

(56) **References Cited**

U.S. PATENT DOCUMENTS

- 3,761,962 A * 10/1973 Myers A41D 27/28
2/227
- 4,608,715 A * 9/1986 Miller A41D 27/285
2/1
- D294,305 S 2/1988 Meek
- 5,210,877 A * 5/1993 Newman A41D 1/067
2/115
- 5,946,724 A 9/1999 Erickson
- 6,052,826 A 4/2000 Tolton
- 6,336,221 B1 * 1/2002 Blauer A41D 3/04
2/82

- 7,117,538 B2 10/2006 Bosne et al.
- D639,025 S 6/2011 Holder
- 8,341,766 B2 1/2013 Rodriguez et al.
- D698,524 S 2/2014 Roberts et al.
- D698,525 S 2/2014 Roberts et al.
- D698,527 S 2/2014 Roberts et al.

(Continued)

OTHER PUBLICATIONS

DryJoys Tour LTS Jacket by Footjoy Aug. 29, 2017 <<http://www.footjoy.com/dryjoys-tour-lts-jacket>>. Accessed on Mar. 8, 2018.*

Primary Examiner — Kevin K Rudzinski

Assistant Examiner — Clare A Gannon

(74) *Attorney, Agent, or Firm* — Daniel W. Sullivan

(57) **CLAIM**

The ornamental design for a rain jacket, as shown and described.

DESCRIPTION

FIG. 1 is a perspective view of the rain jacket of this invention;

FIG. 2 is a front view of the rain jacket of this invention;

FIG. 3 is a rear view of the rain jacket of this invention;

FIG. 4 is a top plan view of the rain jacket of this invention;

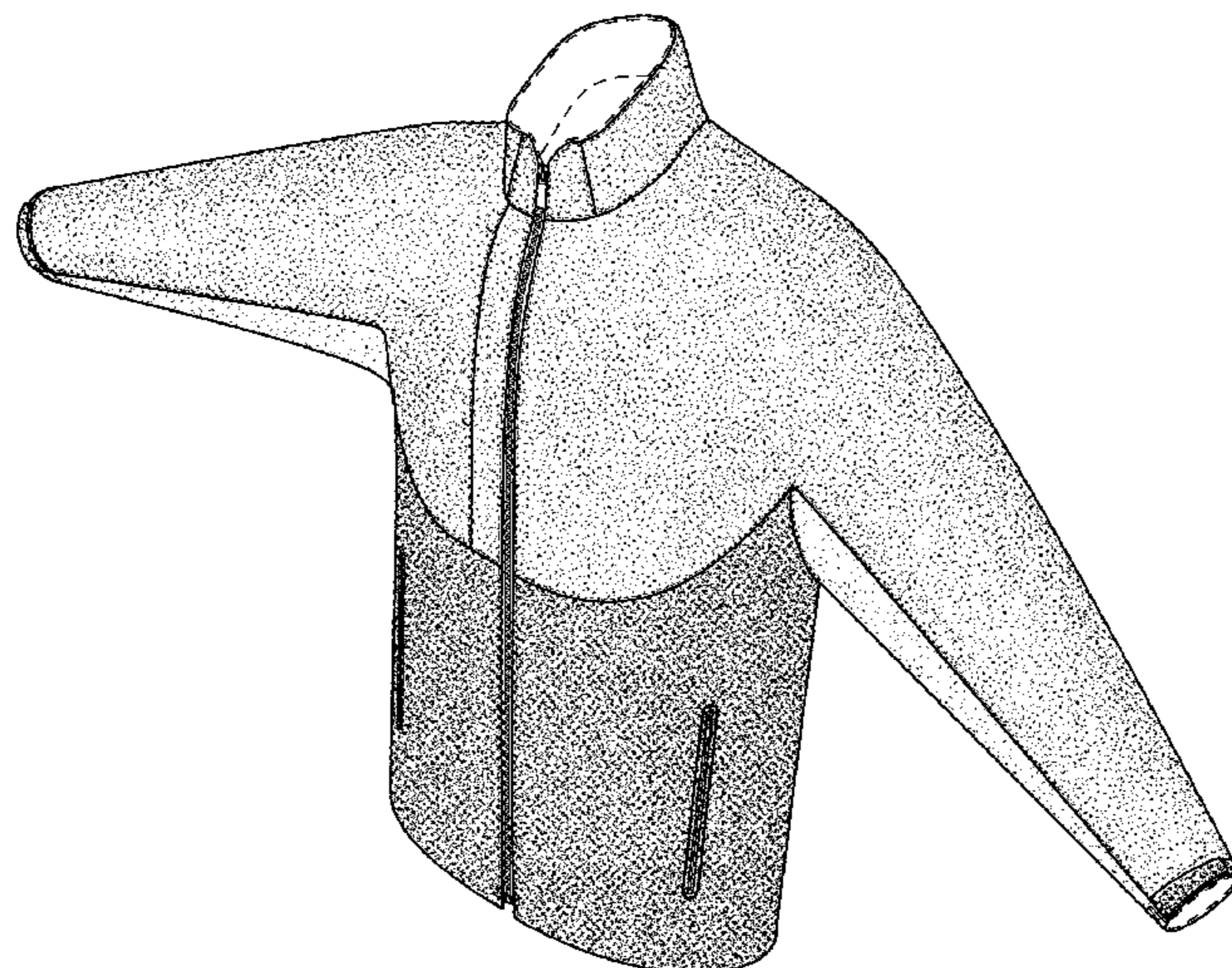
FIG. 5 is a bottom plan of the rain jacket of this invention;

FIG. 6 is a first side elevation view of the rain jacket of this invention; and,

FIG. 7 is a second side elevation view of the rain jacket of this invention.

The thinner, short incremented broken lines within the shaded region depict stitching and form part of the claimed design. All other broken lines depict portions of the rain jacket that form no part of the claimed design. The contrasting intensity of the stippling on the rain jacket indicates a contrast in appearance.

1 Claim, 5 Drawing Sheets



(56)

References Cited

U.S. PATENT DOCUMENTS

D758,047	S *	6/2016	Burlo	D2/831
D762,346	S *	8/2016	Lomax	D2/829
D770,732	S *	11/2016	Farron	D2/839
D774,732	S *	12/2016	Skurla, III	D2/828
D778,033	S *	2/2017	Darmour	D2/828
D784,657	S *	4/2017	Adrovic	D2/731
D784,658	S *	4/2017	Adrovic	D2/731
D789,042	S *	6/2017	Lomax	D2/831
D790,165	S *	6/2017	Jackson	D2/847
D796,154	S *	9/2017	Schurr	D2/828
D799,793	S *	10/2017	Darmour	D2/828
2004/0055069	A1 *	3/2004	Clarke Fayle	A41D 3/00 2/93
2008/0163404	A1	7/2008	Carpentier et al.	
2008/0184454	A1 *	8/2008	Collier	A41D 1/06 2/93
2009/0249529	A1	10/2009	Rodriquez et al.	
2010/0287680	A1 *	11/2010	Johnson	A41D 31/02 2/87
2011/0099685	A1	5/2011	Siragusa	
2013/0042384	A1 *	2/2013	Mitchell	A42B 1/048 2/84

* cited by examiner

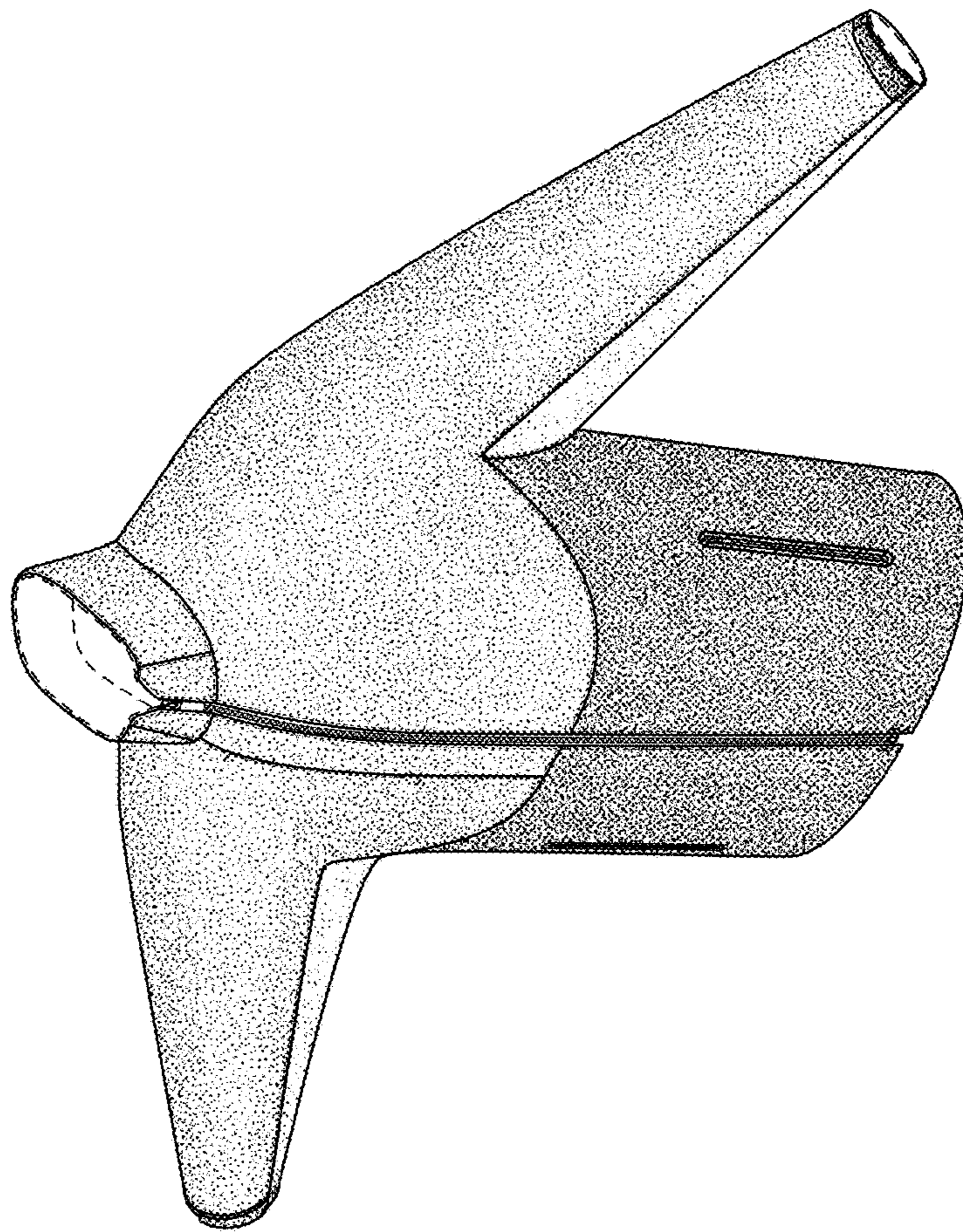


FIG. 1

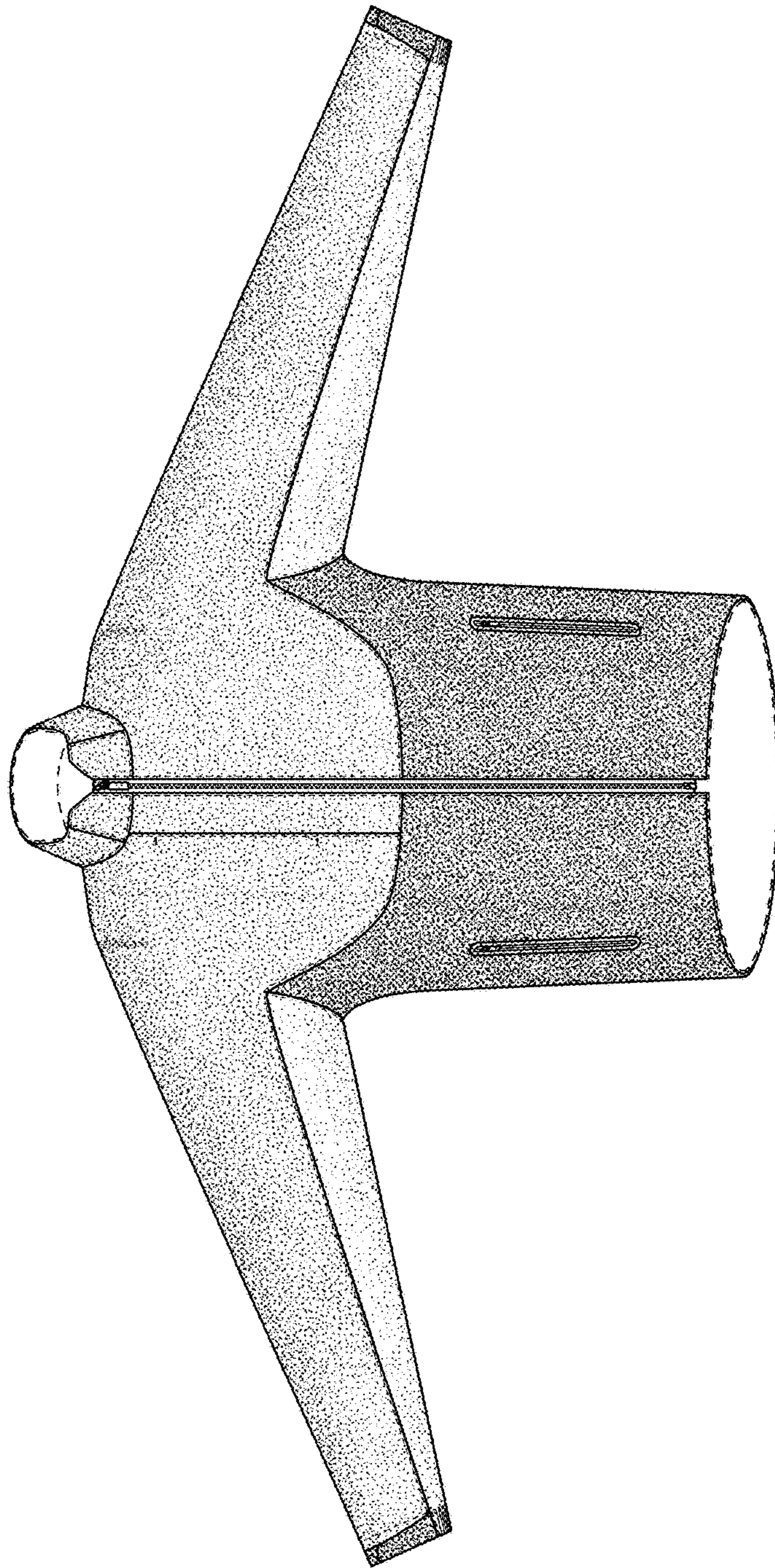


FIG. 2

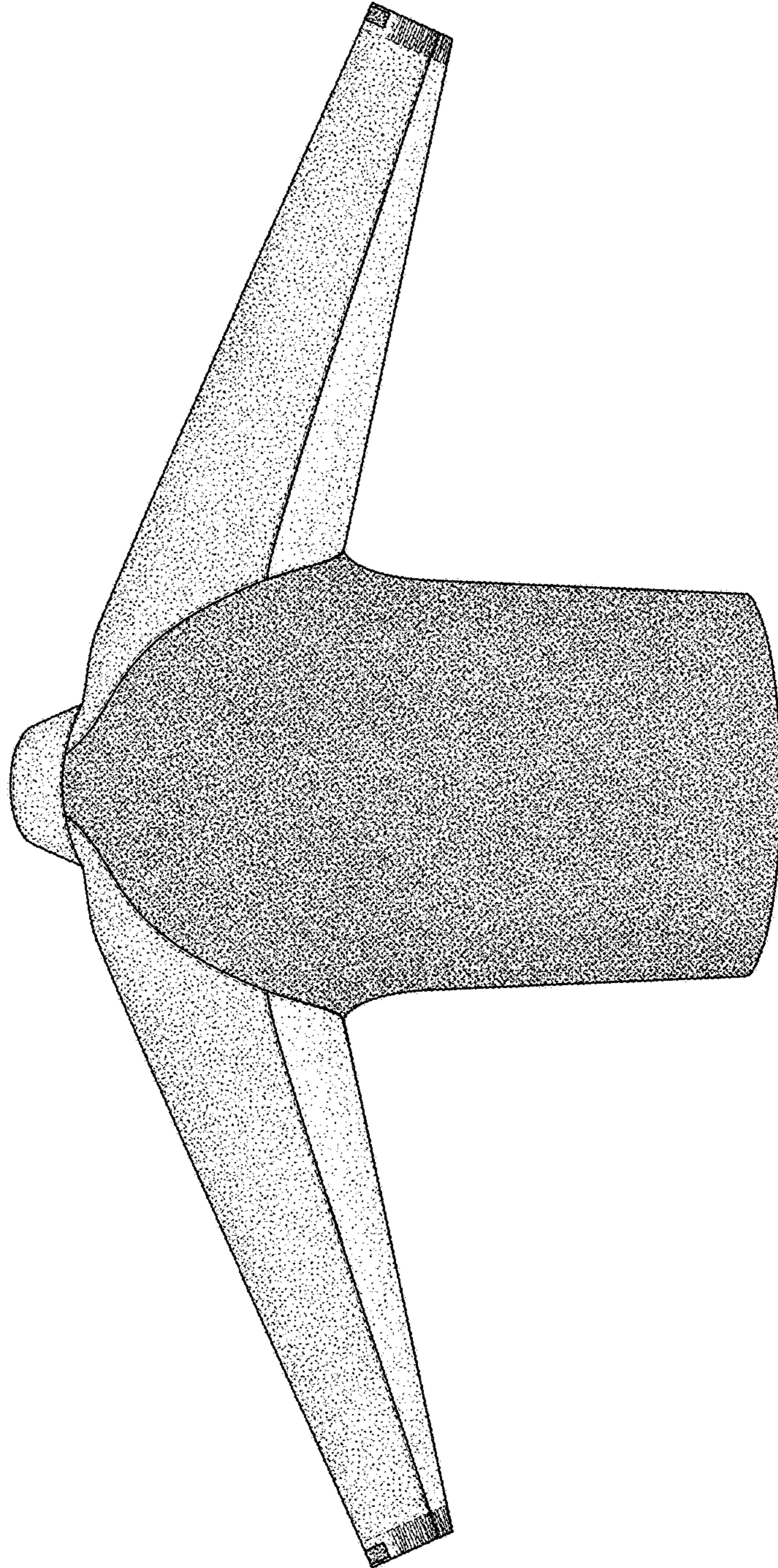


FIG. 3

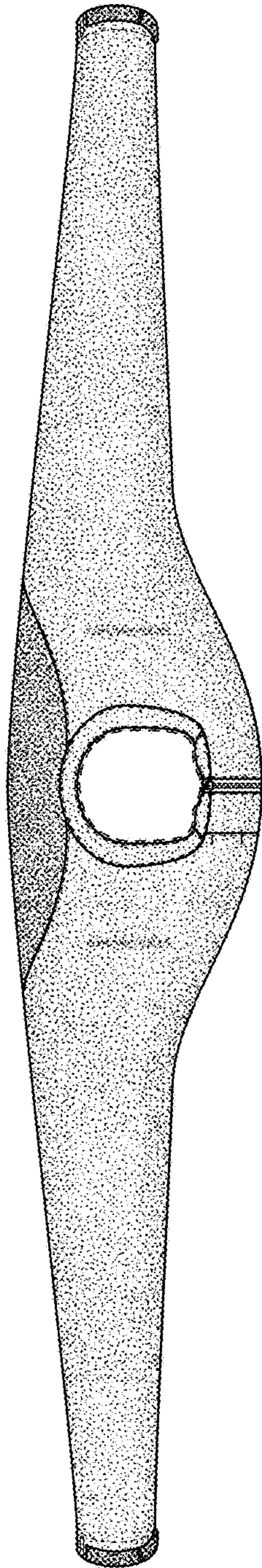


FIG. 4

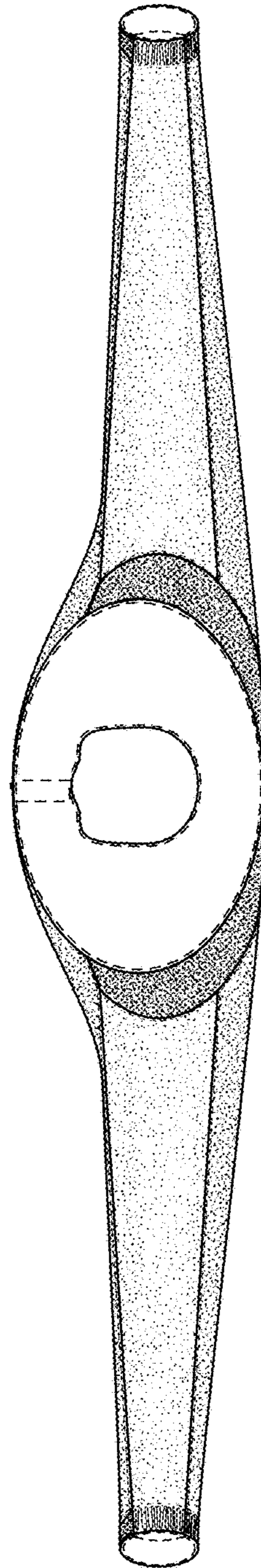


FIG. 5

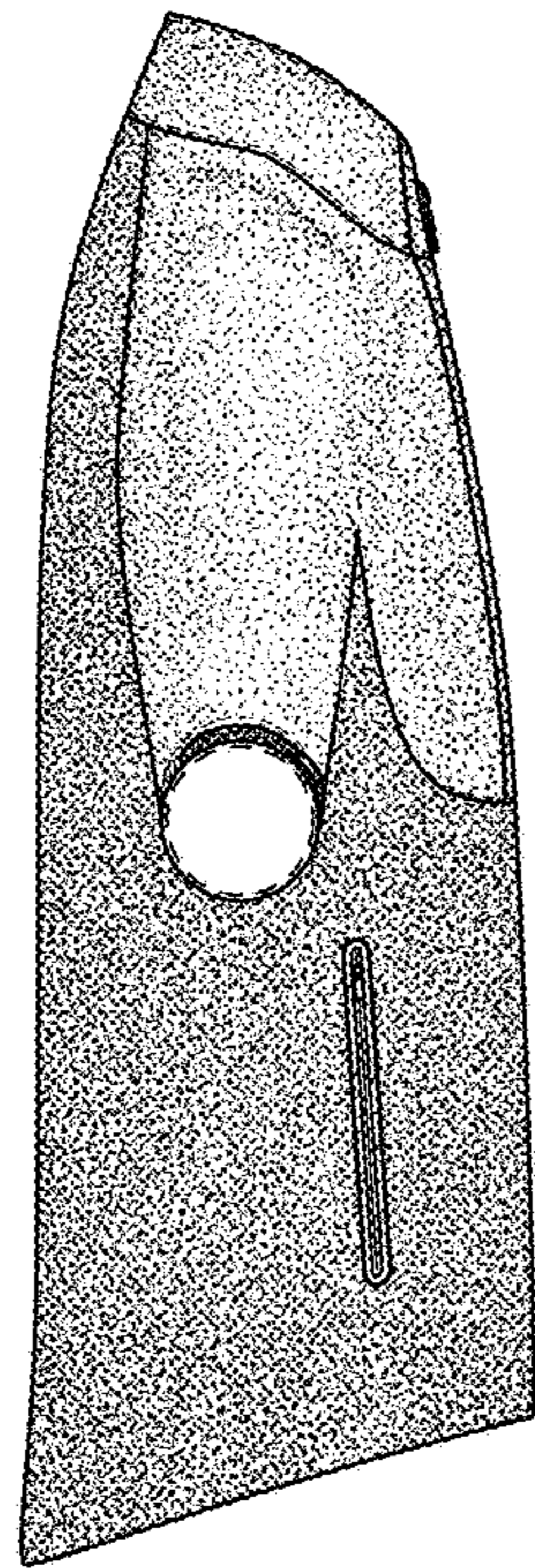


FIG. 6

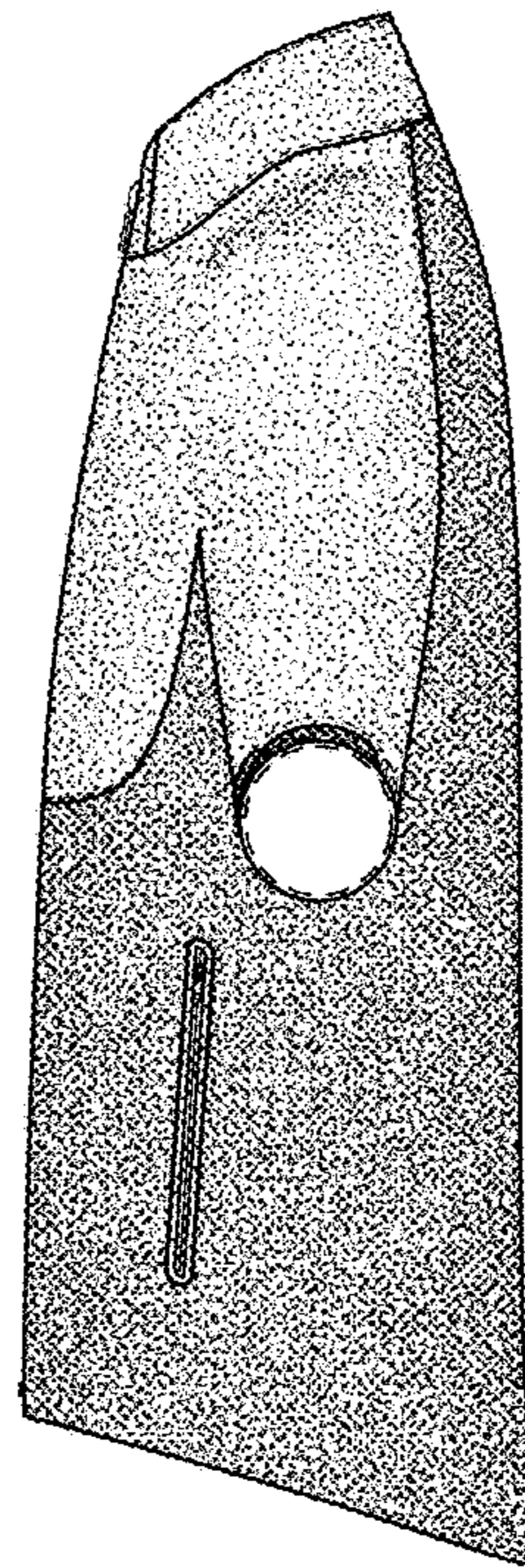


FIG. 7