



US00D854781S

(12) **United States Design Patent**
Nemec

(10) **Patent No.:** **US D854,781 S**
(45) **Date of Patent:** **** Jul. 30, 2019**

(54) **SUSPENDER CLIP**
(71) Applicant: **John Nemec**, Alamo, CA (US)
(72) Inventor: **John Nemec**, Alamo, CA (US)
(**) Term: **15 Years**
(21) Appl. No.: **29/586,582**
(22) Filed: **Dec. 5, 2016**
(51) **LOC (11) Cl.** **02-07**
(52) **U.S. Cl.**
USPC **D2/626; D8/395**
(58) **Field of Classification Search**
USPC D2/624-629, 631, 633-640, 706, 728,
D2/851, 852, 853, 859, 860, 891;
D11/200, 201, 212, 215, 216, 218, 220,
D11/222, 231, 234, 78.1; D24/190;
D29/101.5, 101.1; D30/152; D3/224,
D3/226; D8/383, 395
CPC A41F 1/008; A41F 11/00; A41F 11/02;
A41F 11/06; A41F 11/08; A41F 11/14;
A41F 11/16; A41F 11/18; A41F 17/02;
A41F 17/04; A41F 3/02; A41F 5/00;
A41F 7/00; A41F 9/00; A41F 9/002;
A41F 9/007; A41F 9/02; A41F 9/025;
A41F 11/12; A41F 18/00; A41F 19/00;
A41F 19/005; A41F 3/00; A62B 35/0006;
A62B 35/00; A63B 29/02; B60R
2022/006; B60R 2022/008; B60R 22/00;
B60R 22/10; A44B 99/00; A45F
2003/144
See application file for complete search history.

(56) **References Cited**
U.S. PATENT DOCUMENTS
D117,747 S * 11/1939 Freysinger 24/489
D149,976 S * 6/1948 Sanford D17/20
4,115,906 A * 9/1978 Lavine A41F 17/04
2/233

4,463,482 A * 8/1984 Hawie A41F 3/02
24/489
5,052,055 A * 10/1991 Mysliwiec A41D 13/04
2/338
5,177,813 A * 1/1993 Bosack A41F 3/02
2/323
5,913,478 A * 6/1999 Ochsman A41F 11/06
24/541
5,933,922 A * 8/1999 Ochsman A45F 5/02
24/3.11
D463,325 S * 9/2002 Savoia D11/200
(Continued)

OTHER PUBLICATIONS

Suspender Clip Hardware by Strapworks <<https://www.strapworks.com/ProductDetails.asp>> Accessed on Oct. 19, 2017.*
(Continued)

Primary Examiner — Kevin K Rudzinski
Assistant Examiner — Clare Ann Gannon
(74) *Attorney, Agent, or Firm* — James R. Cypher;
Charles R. Cypher

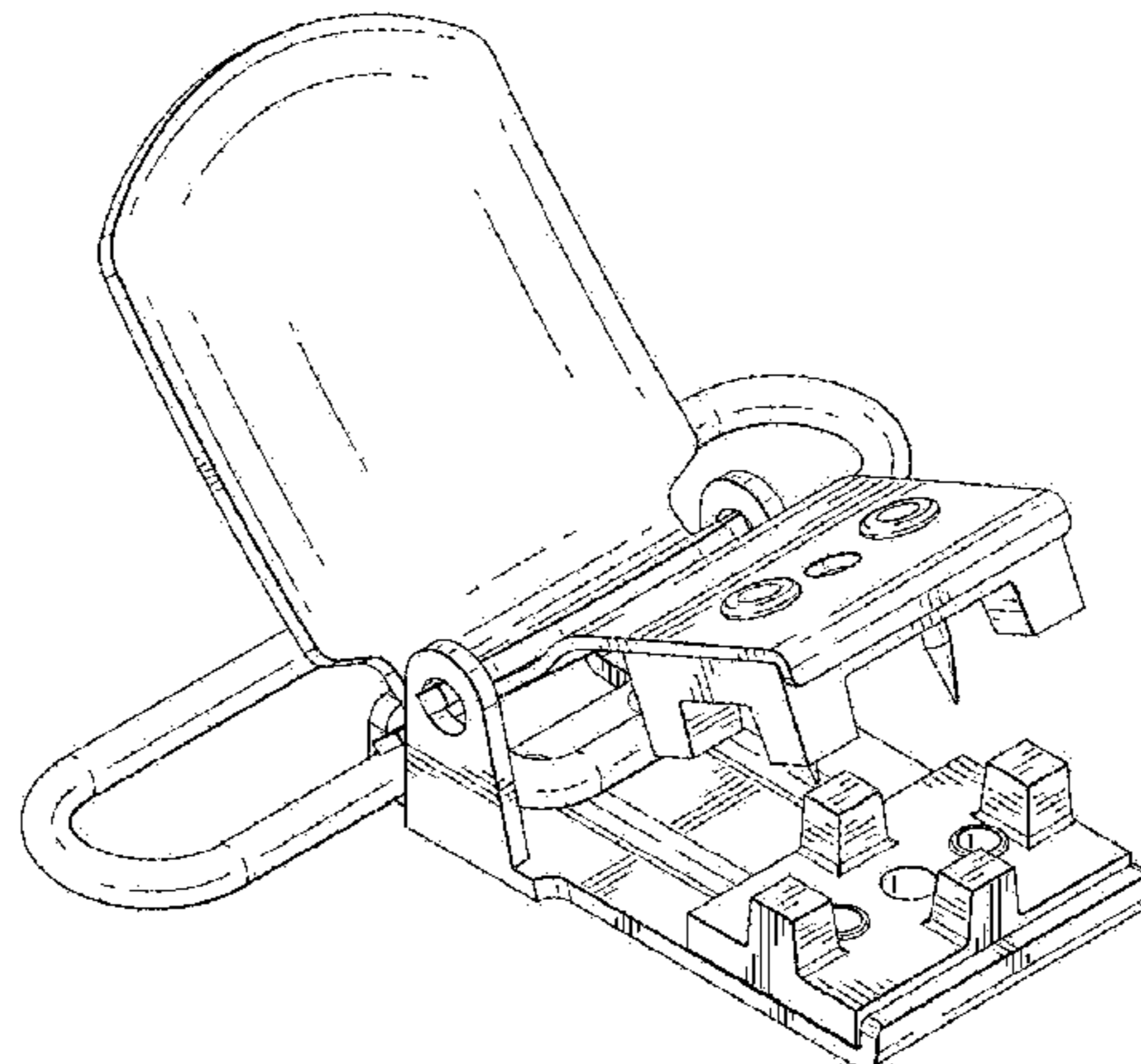
(57) **CLAIM**

The ornamental design for a suspender clip, as shown and described.

DESCRIPTION

FIG. 1 is an isometric view of a suspender clip, shown in an open position.
FIG. 2 is a front elevation view of the suspender clip.
FIG. 3 is a rear elevation view of the suspender clip.
FIG. 4 is a right side elevation view of the suspender clip.
FIG. 5 is a left side elevation view of the suspender clip.
FIG. 6 is a top plan view of the suspender clip.
FIG. 7 is a bottom plan view of the suspender clip; and,
FIG. 8 is an isometric view of the suspender clip, shown in a closed position.

1 Claim, 4 Drawing Sheets



(56)

References Cited

U.S. PATENT DOCUMENTS

6,666,426 B1 * 12/2003 Taylor A47C 21/026
 248/506
 D521,411 S * 5/2006 Moeller D11/216
 D614,946 S * 5/2010 Herman D8/395
 D617,561 S * 6/2010 Salerno-Tortora D3/318
 D661,461 S * 6/2012 Murray D2/627
 D690,539 S * 10/2013 Grill D6/607
 D692,638 S * 11/2013 Herman D2/626
 D708,095 S * 7/2014 Whitworth D11/200
 9,049,895 B1 * 6/2015 Wesol A41F 11/18
 9,163,697 B2 * 10/2015 Whaley A47C 21/022
 D746,542 S * 1/2016 Gilroy A45F 5/02
 D2/626
 D761,042 S * 7/2016 Whaley D6/607
 D774,379 S * 12/2016 Mudge D8/349
 D799,859 S * 10/2017 Whaley D6/607
 2004/0168286 A1 * 9/2004 Herman A41F 3/02
 24/513

2009/0083899 A1 * 4/2009 Herman A41F 17/04
 2/323
 2011/0083253 A1 * 4/2011 Pankow A41F 17/04
 2/323
 2012/0005867 A1 * 1/2012 Whaley A47C 21/022
 24/302
 2013/0198939 A1 * 8/2013 Herman A41F 19/00
 2/327
 2015/0082581 A1 * 3/2015 Thomas A41F 3/02
 24/344
 2015/0327685 A1 * 11/2015 Longnecker A47C 21/022
 5/498
 2016/0295943 A1 * 10/2016 Gilroy A41F 3/02

OTHER PUBLICATIONS

Suspender Clip by Super-I <<https://www.super-i.com.tw/suspender-clip.html>> Accessed on Apr. 20, 2019.*

* cited by examiner

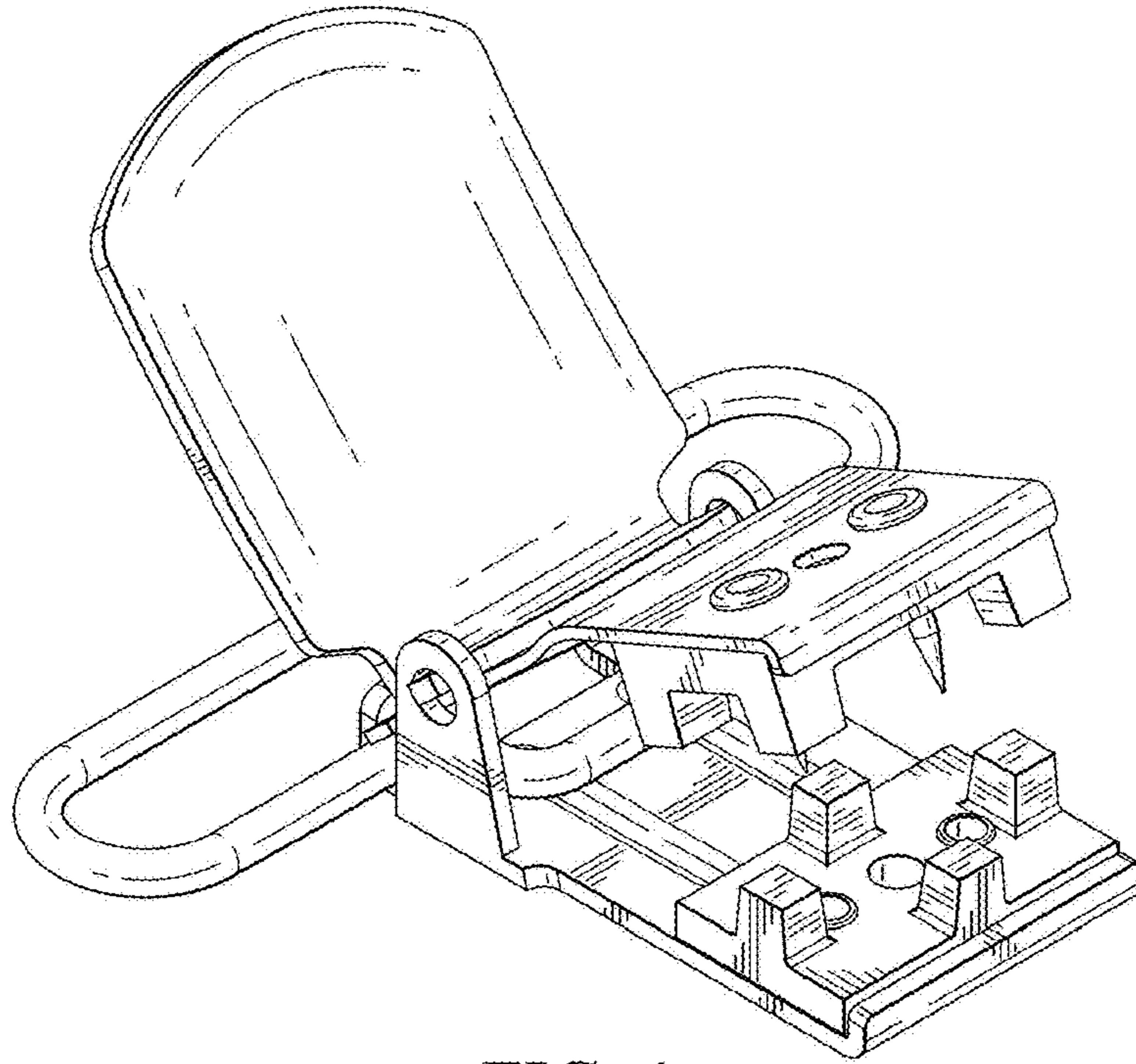


FIG. 1

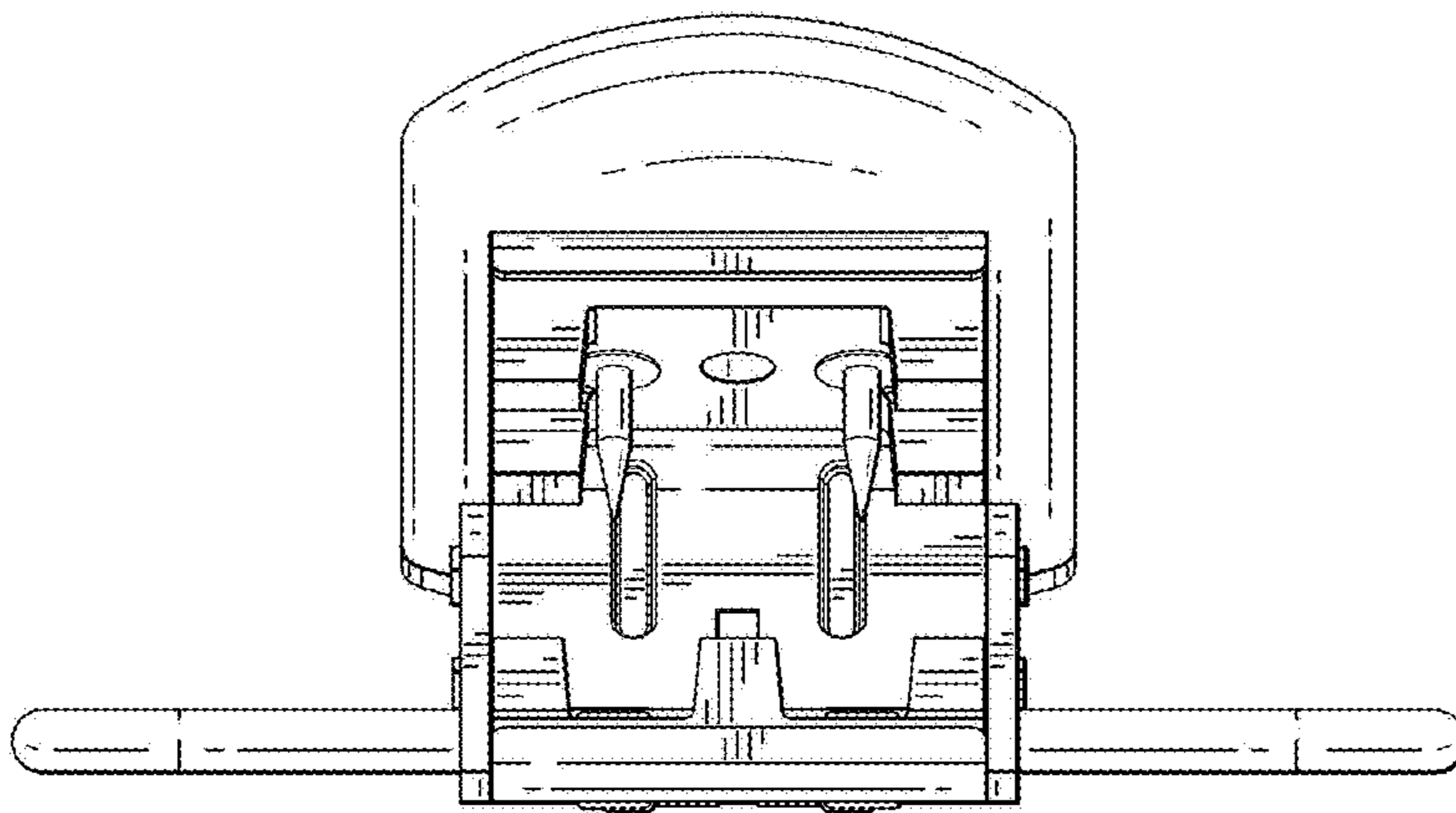


FIG. 2

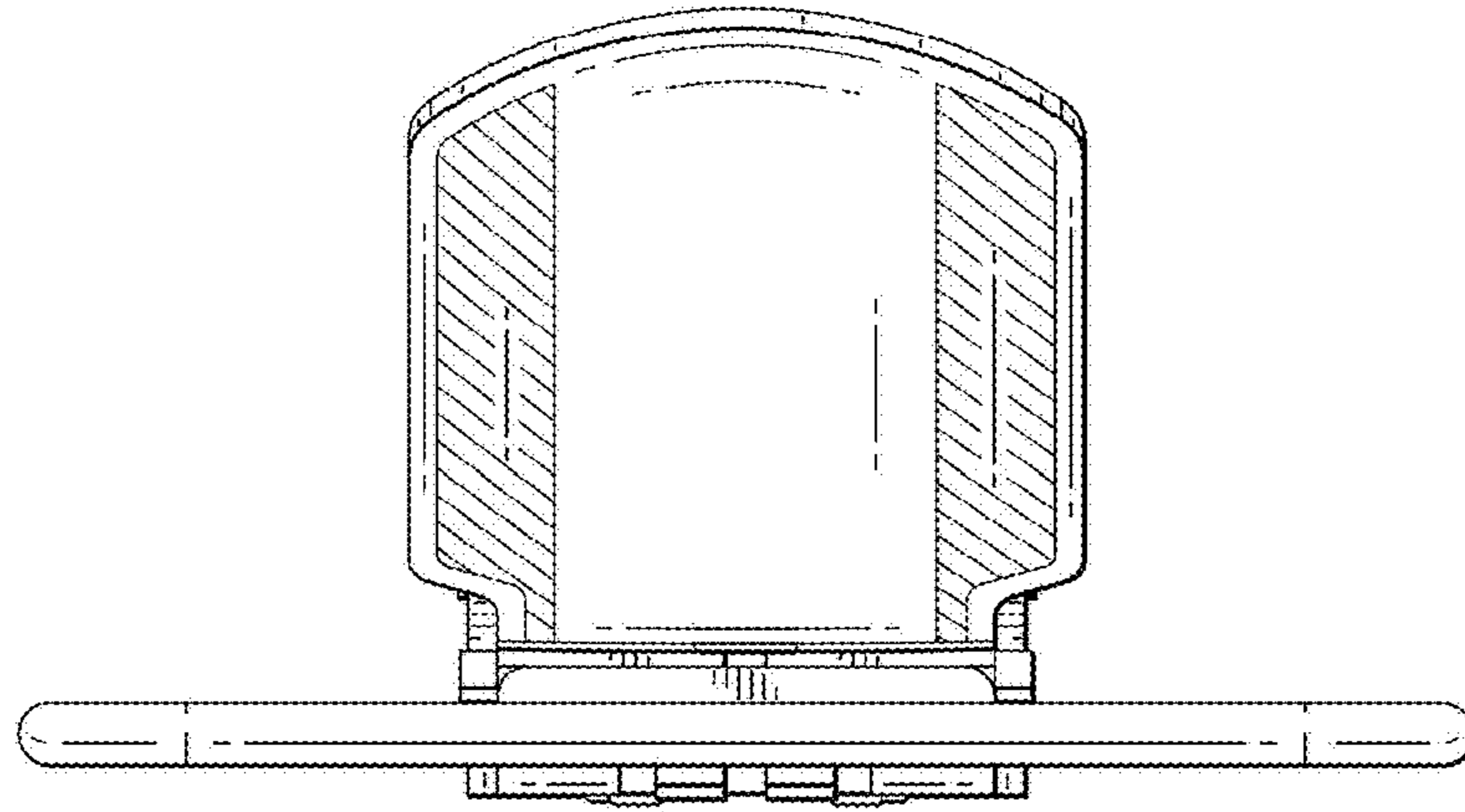


FIG. 3

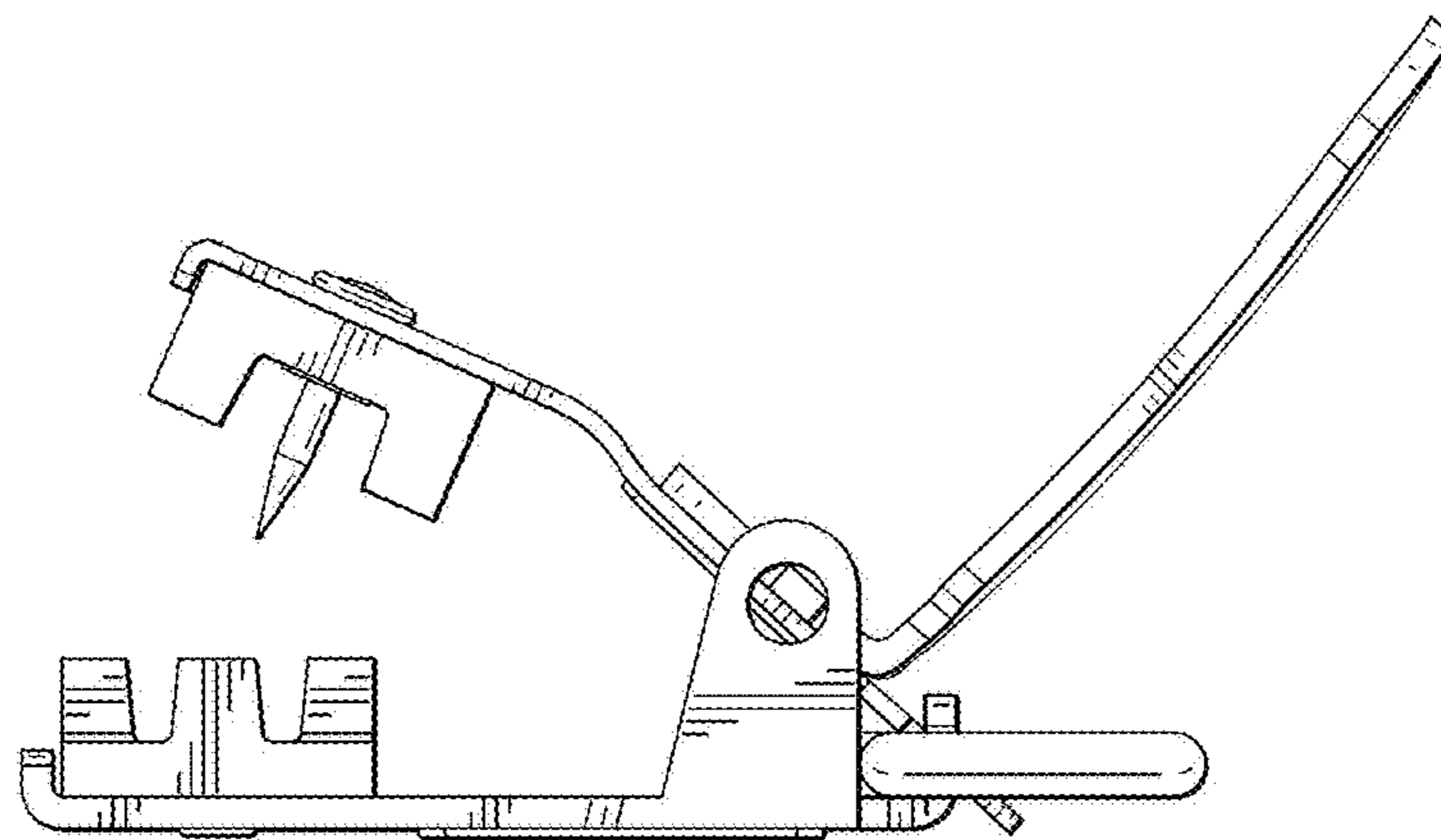


FIG. 4

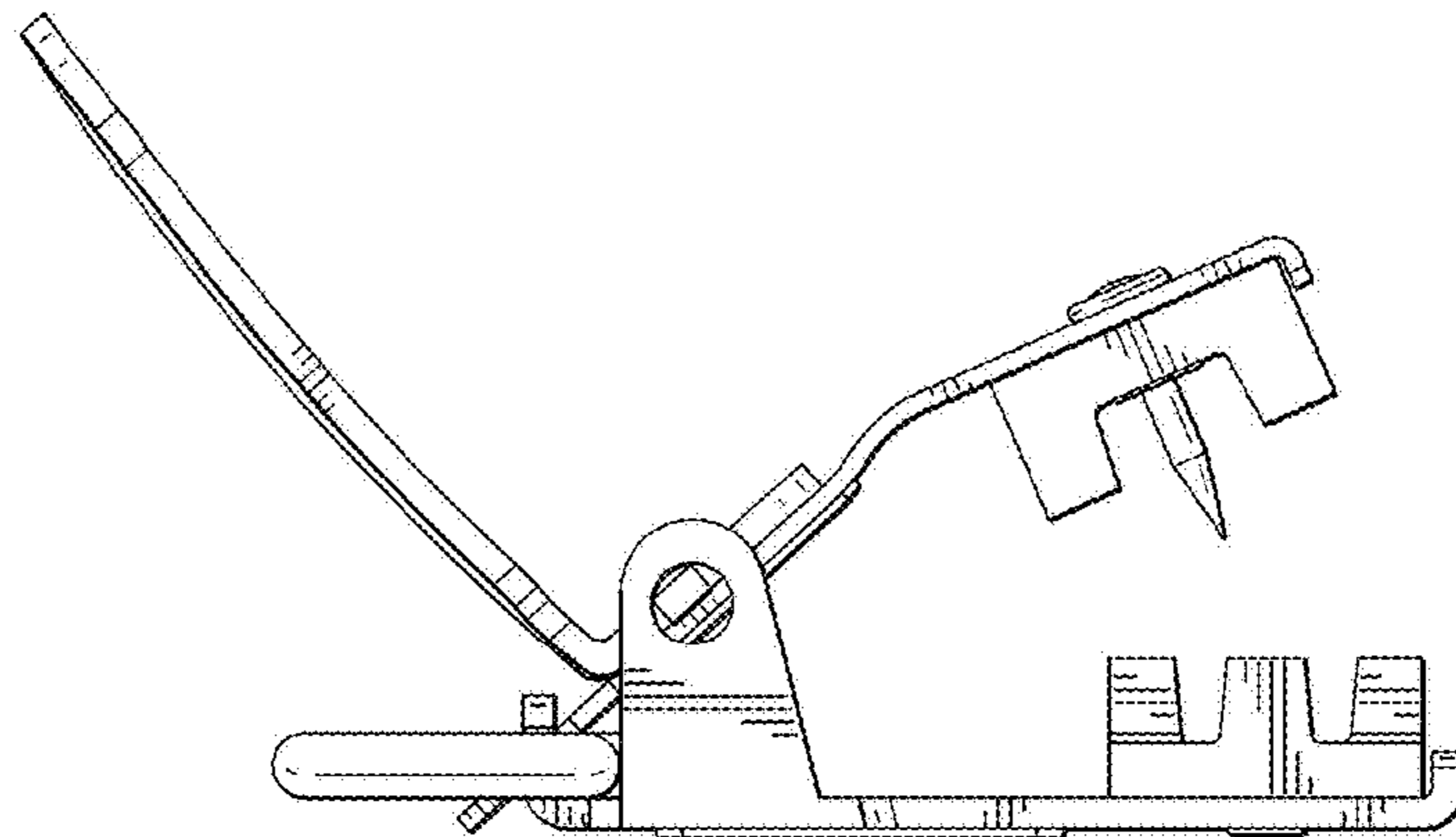


FIG. 5

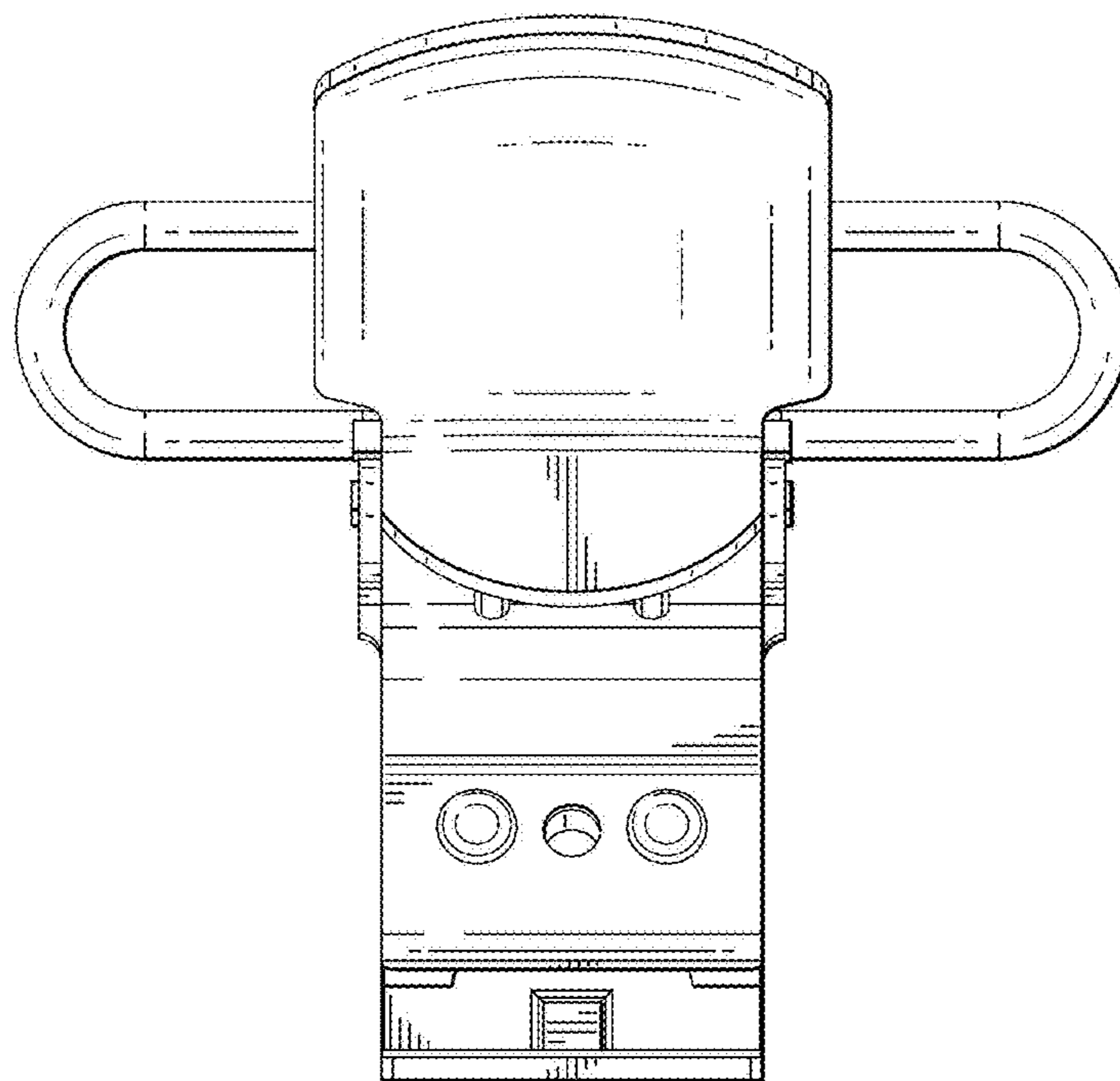


FIG. 6

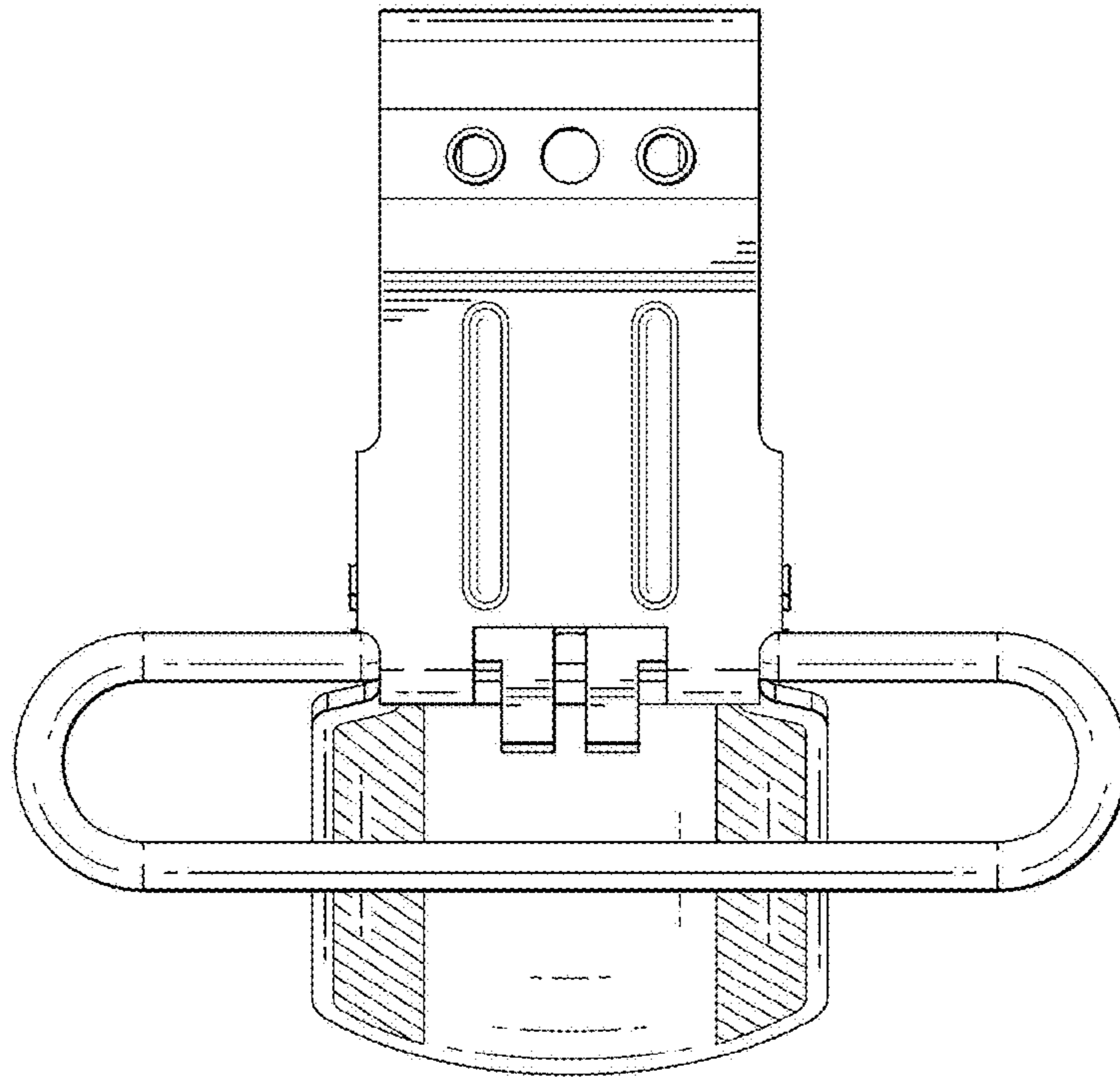


FIG. 7

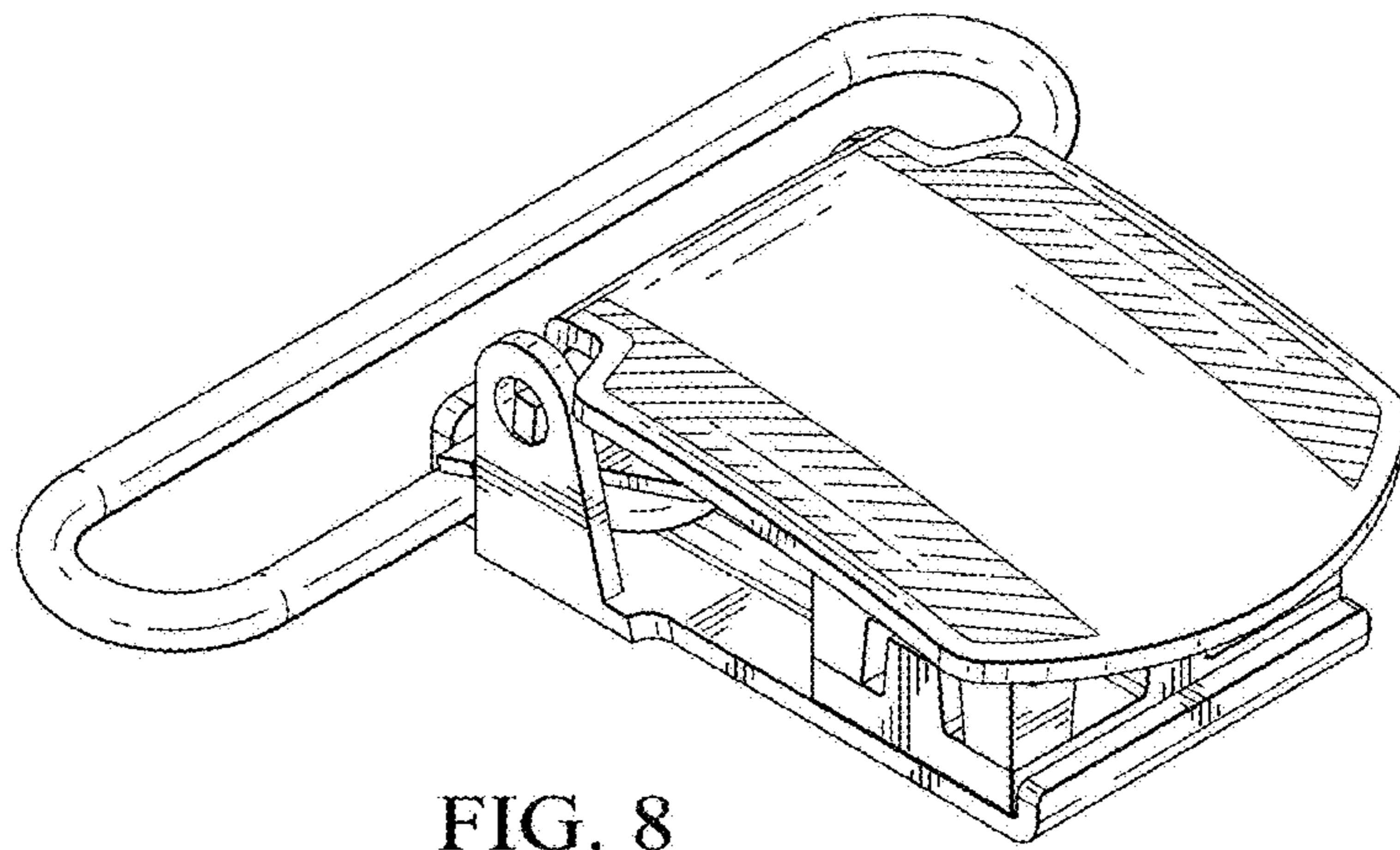


FIG. 8