



US00D854780S

(12) **United States Design Patent**
Jindra et al.

(10) **Patent No.:** **US D854,780 S**
(45) **Date of Patent:** **** Jul. 30, 2019**

(54) **SANDWICH**

FOREIGN PATENT DOCUMENTS

(71) Applicant: **THE J. M. SMUCKER COMPANY**,
Orrville, OH (US)

FR 1527708 6/1966
JP 2005138906 A 6/2005

(Continued)

(72) Inventors: **James Andrew Jindra**, Wooster, OH
(US); **Keith J. Marcinowski**,
Strongsville, OH (US)

Primary Examiner — Katie Jane Stofko

(74) *Attorney, Agent, or Firm* — Michael A. Olshavsky

(73) Assignee: **THE J. M. SMUCKER COMPANY**,
Orrville, OH (US)

(57) **CLAIM**

We claim the ornamental design for a sandwich, as shown
and described.

DESCRIPTION

(**) Term: **15 Years**

(21) Appl. No.: **29/645,939**

(22) Filed: **Apr. 30, 2018**

(51) **LOC (11) Cl.** **01-01**

(52) **U.S. Cl.**
USPC **D1/129**

(58) **Field of Classification Search**

USPC D1/100–130, 199; 426/94, 104, 138,
426/143, 144, 274, 283, 303, 391, 512,
426/514, 518, 549; D6/597, 601;
D7/675, 560, 566, 568, 672; D9/451,
D9/707, 710, 715; D28/8.1, 8.2;
D21/385, 386, 707; D24/101–104
CPC . A21C 11/12; A22C 13/0013; A21D 13/0016;
A21D 13/0022; A21D 13/0025; A21D
13/0029; A21D 13/0074; A23G 3/54;
(Continued)

FIG. 1 is a front, left, top perspective view of a sandwich.
FIG. 2 is a rear, right, bottom perspective view thereof;
FIG. 3 is a front elevational view thereof;
FIG. 4 is a rear elevational view thereof;
FIG. 5 is a right side elevational view thereof;
FIG. 6 is a left side elevational view thereof; and,
FIG. 7 is a top plan view thereof; a bottom plan view would
be a mirror image thereof.

Applicant reserves the right to file a continuation case in
which the fluted portions are stippled. This provides support
for such a case. The stippling would represent the texture of
sliced bread that has been crimped (i.e., the texture of the
flat, sliced portion of a slice of bread that has been pressed).
Applicant reserves the right to file a continuation case in
which the upper and lower domes are both stippled. This
provides support for such a case. The stippling would
represent the texture of sliced bread or other baked good.

Applicant reserves the right to file a continuation case in
which only the lower dome is shown in broken lines. This
provides support for such a case. The broken lines would
form no part of the claimed design.

Applicant reserves the right to file a case in which the entire
bottom of the sandwich is shown in broken lines, e.g., by
adding a bottom view all in broken lines and by putting
corresponding portions of FIG. 2 in broken lines. This
provides support for such a case. The broken lines would
form no part of the claimed design.

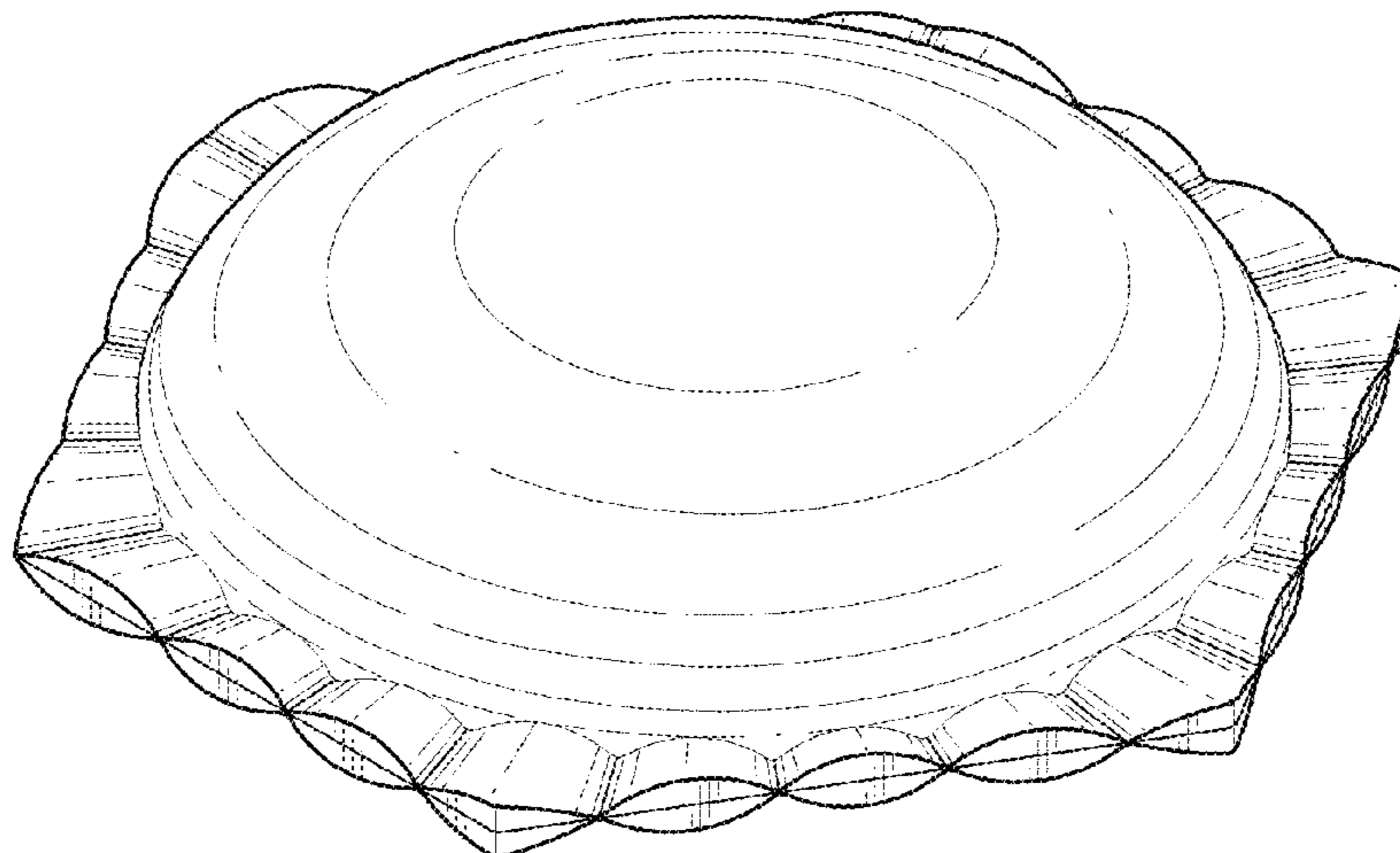
(56) **References Cited**

U.S. PATENT DOCUMENTS

D151,871 S * 11/1948 Carapellotti D1/101
2,855,305 A * 10/1958 Cella A23P 20/20
426/274

(Continued)

1 Claim, 4 Drawing Sheets



(58) **Field of Classification Search**
 CPC . A23G 4/20; A23G 9/48; A23L 1/005; A23L
 1/0052; A23L 1/0067; A23L 1/16; A23L
 1/1641; A23L 1/217; A23V 2002/00
 See application file for complete search history.

(56) **References Cited**

U.S. PATENT DOCUMENTS

4,190,757	A	2/1980	Hoese et al.	
4,735,513	A	4/1988	Watkins et al.	
5,249,445	A	10/1993	Morello	
5,387,149	A	2/1995	Caveza	
D357,565	S *	4/1995	Christensen	D1/130
5,414,248	A	5/1995	Shelby et al.	
5,518,746	A	5/1996	Diaz	
5,558,658	A	9/1996	Menard et al.	
5,972,440	A *	10/1999	Erland	G03B 15/08 348/587
6,539,950	B1	4/2003	Gueret	
6,719,115	B2	4/2004	Rogner et al.	
D510,174	S *	10/2005	Richey	D1/127
D659,346	S *	5/2012	Augis	D1/129
D668,019	S *	10/2012	Rana	D1/126
D685,977	S *	7/2013	Rana	D1/126

D693,087	S *	11/2013	Rana	D1/126
8,616,122	B2	12/2013	Smallegan	
8,629,380	B2	1/2014	Lafferty	
D712,621	S	9/2014	James et al.	
D712,622	S	9/2014	James et al.	
D712,623	S	9/2014	James et al.	
D732,267	S *	6/2015	Rana	D1/126
D748,240	S *	1/2016	Goode	D24/101
9,263,649	B2	2/2016	Koike et al.	
9,306,375	B2	4/2016	Ozeki et al.	
9,614,258	B2	4/2017	Takahashi et al.	
9,624,913	B2	4/2017	Friesth	
D822,327	S *	7/2018	Rana	D1/126
D827,976	S *	9/2018	Allio	D1/130
2009/0304871	A1	12/2009	Wappling-Raaholt et al.	
2012/0034400	A1	2/2012	Kato et al.	
2013/0209644	A1	8/2013	Miladinov et al.	
2014/0037789	A1	2/2014	Casimir et al.	
2014/0342057	A1	11/2014	Czarny et al.	

FOREIGN PATENT DOCUMENTS

WO	2010021318	A1	2/2010
WO	2016126836	A1	8/2016
WO	2016126840	A1	8/2016
WO	2016126843	A1	8/2016

* cited by examiner

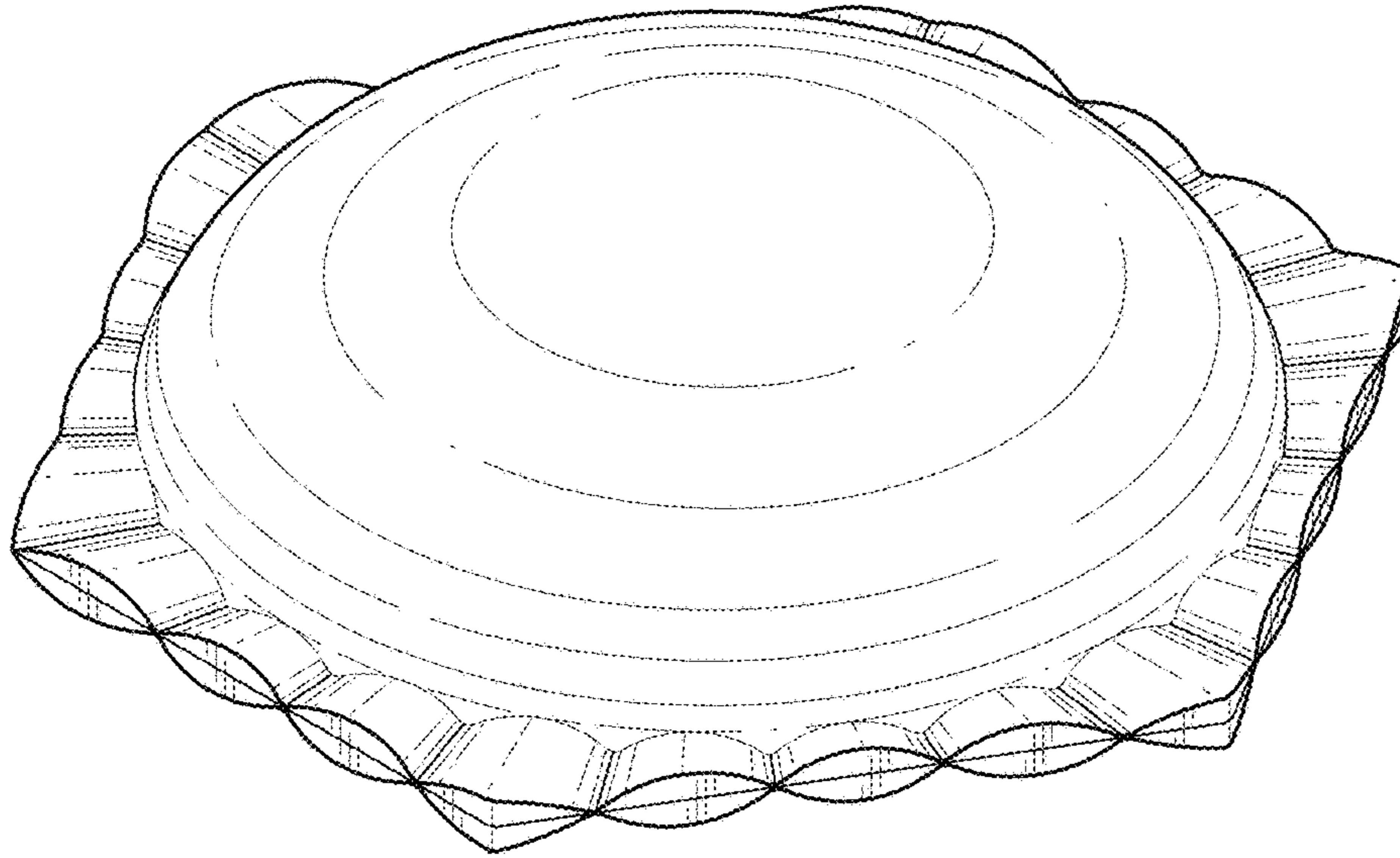


FIG. 1

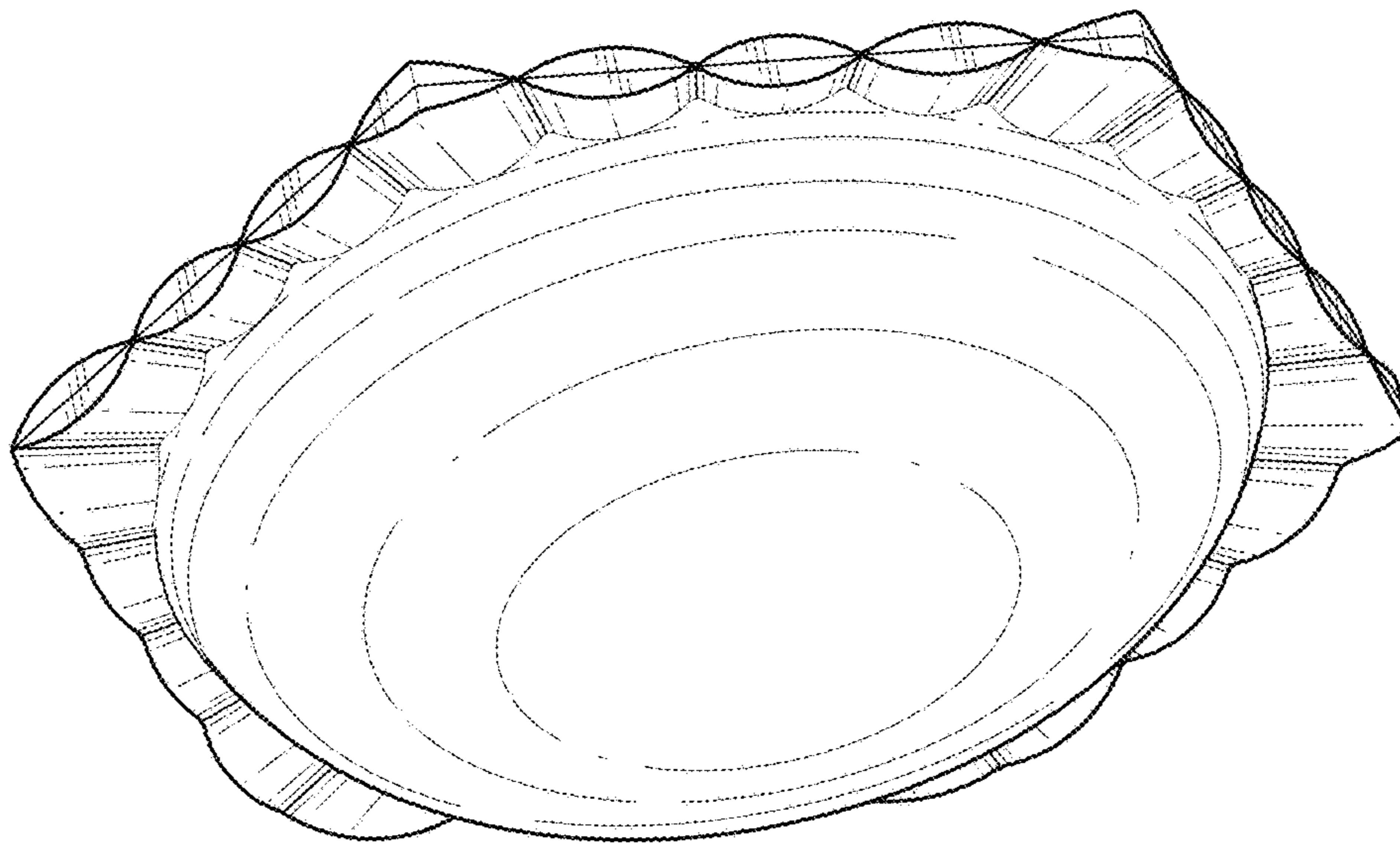


FIG. 2

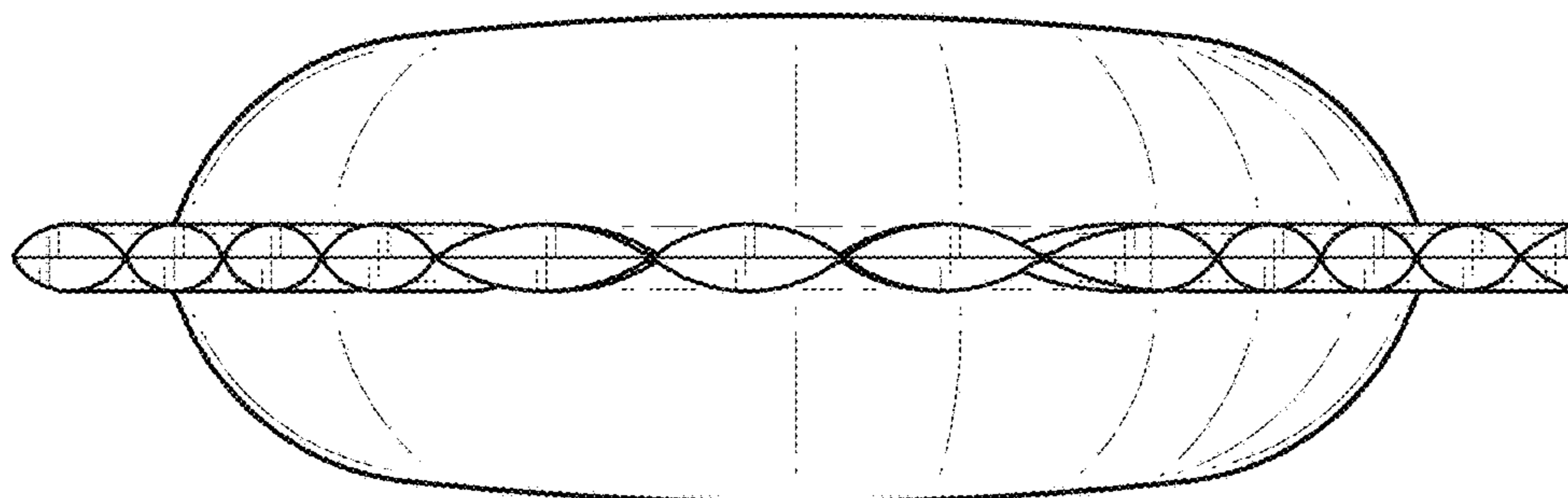


FIG. 3

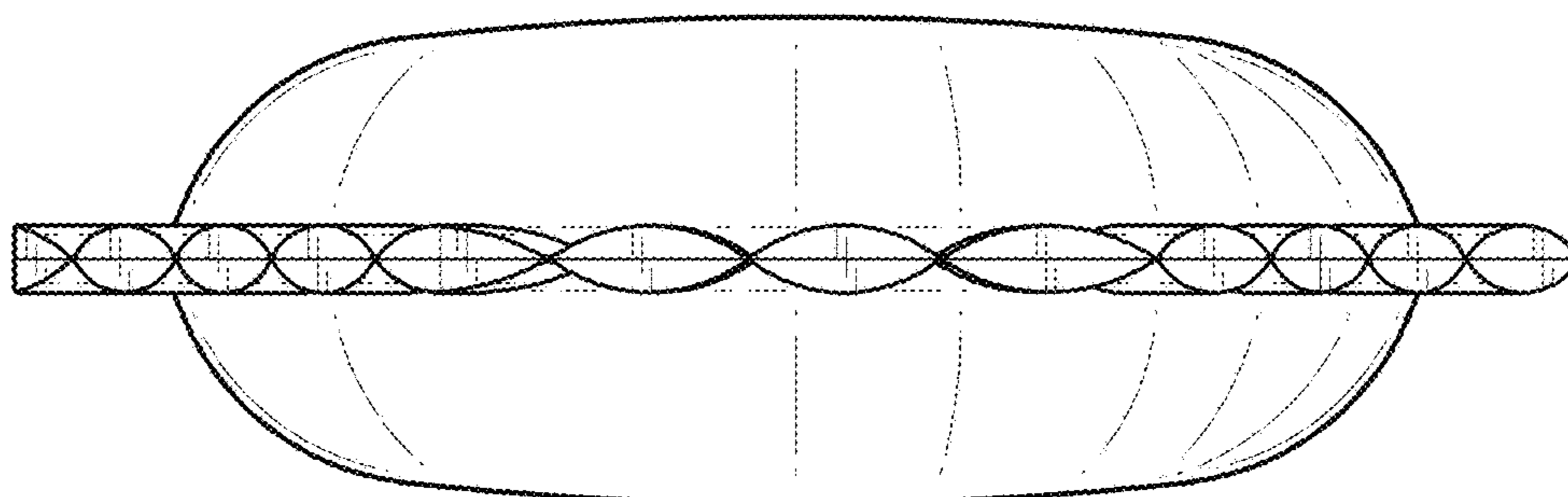


FIG. 4

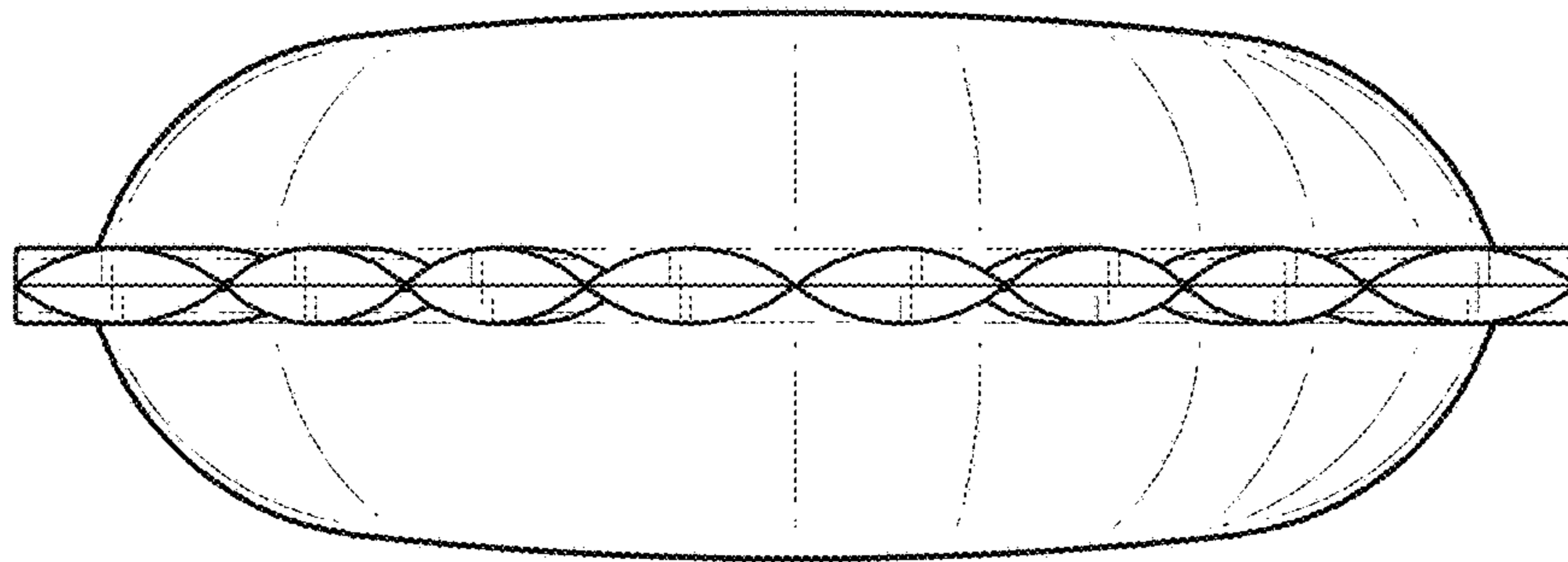


FIG. 5

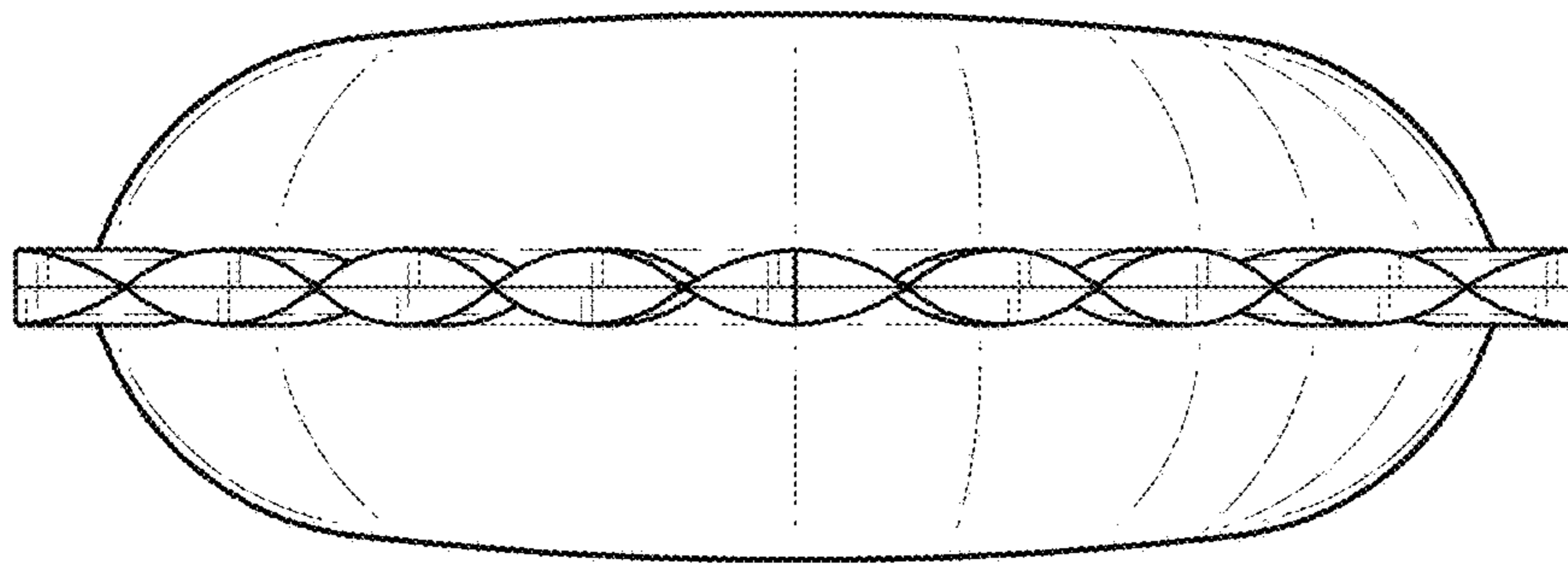


FIG. 6

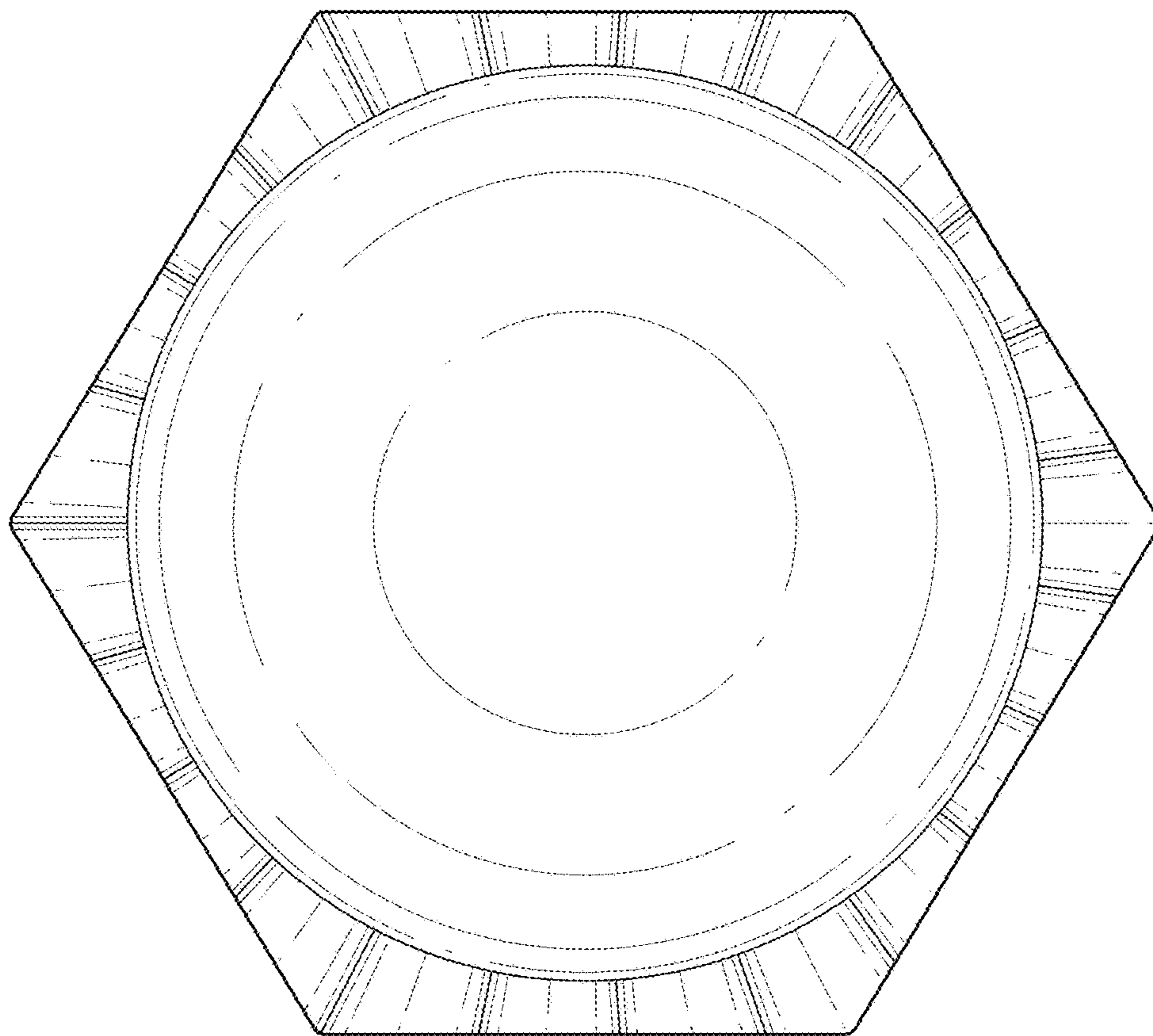


FIG. 7