



US00D854778S

(12) **United States Design Patent**
Yardley et al.

(10) **Patent No.:** **US D854,778 S**

(45) **Date of Patent:** **** Jul. 23, 2019**

(54) **LOCK BOX**

(71) Applicant: **Keymaster Solutions, LLC**, Wilmette, IL (US)

(72) Inventors: **James Yardley**, Wilmette, IL (US);
Cameron Adams, Winnetka, IL (US)

(73) Assignee: **Keymaster Solutions LLC**, Wilmette, IL (US)

(**) Term: **15 Years**

(21) Appl. No.: **29/655,334**

(22) Filed: **Jul. 2, 2018**

Related U.S. Application Data

(63) Continuation-in-part of application No. 29/651,216, filed on Feb. 16, 2018.

(51) **LOC (11) Cl.** **99-00**

(52) **U.S. Cl.**
USPC **D99/28**

(58) **Field of Classification Search**
USPC D99/28, 34, 35, 36, 43, 99; 109/1 R, 109/1 V, 2, 45; 902/9, 30; 235/100; 206/0.8, 0.815, 0.82; 312/400, 409
CPC E05B 65/0075; F42B 39/24; E05G 1/00; E05G 1/005; E05G 1/024; E05G 5/00; E05G 2700/00; E05G 2700/02; E05G 2700/04; E05G 5/02; G07D 11/0006; G07D 9/002; G07D 9/004; G07D 11/009; G07D 11/0009; G07F 9/06; G07F 9/003; G07F 17/10; G07F 17/12
See application file for complete search history.

(56) **References Cited**

U.S. PATENT DOCUMENTS

2,088,459 A * 7/1937 Bennett E05G 5/006
312/223.1
D210,257 S * 2/1968 Favaro D99/33

D210,332 S * 2/1968 Favaro D99/33
D237,630 S * 11/1975 Cantely D99/28
D249,970 S * 10/1978 Wetzel D99/28
D273,052 S * 3/1984 Snodgrass D99/28
4,468,940 A * 9/1984 Davis E05B 19/0005
70/159
4,542,848 A * 9/1985 Peters E05C 5/04
109/45
D291,019 S * 7/1987 Druihet D8/302
D308,276 S * 5/1990 Appelbaum D99/28
D308,279 S * 5/1990 Hill D99/28
D327,793 S * 7/1992 McGrory 232/43.2
D332,169 S * 12/1992 Nottingham D99/35
D335,377 S * 5/1993 Speciale D3/207
D338,766 S * 8/1993 Matheu D99/37
D347,926 S * 6/1994 Jackson, Jr. D99/28
D350,002 S * 8/1994 Viola D99/28
D368,249 S * 3/1996 Ferrer D12/423
D374,966 S * 10/1996 Matassa D99/28

(Continued)

Primary Examiner — Elizabeth J Oswecki

(74) *Attorney, Agent, or Firm* — Vedder Price P.C.

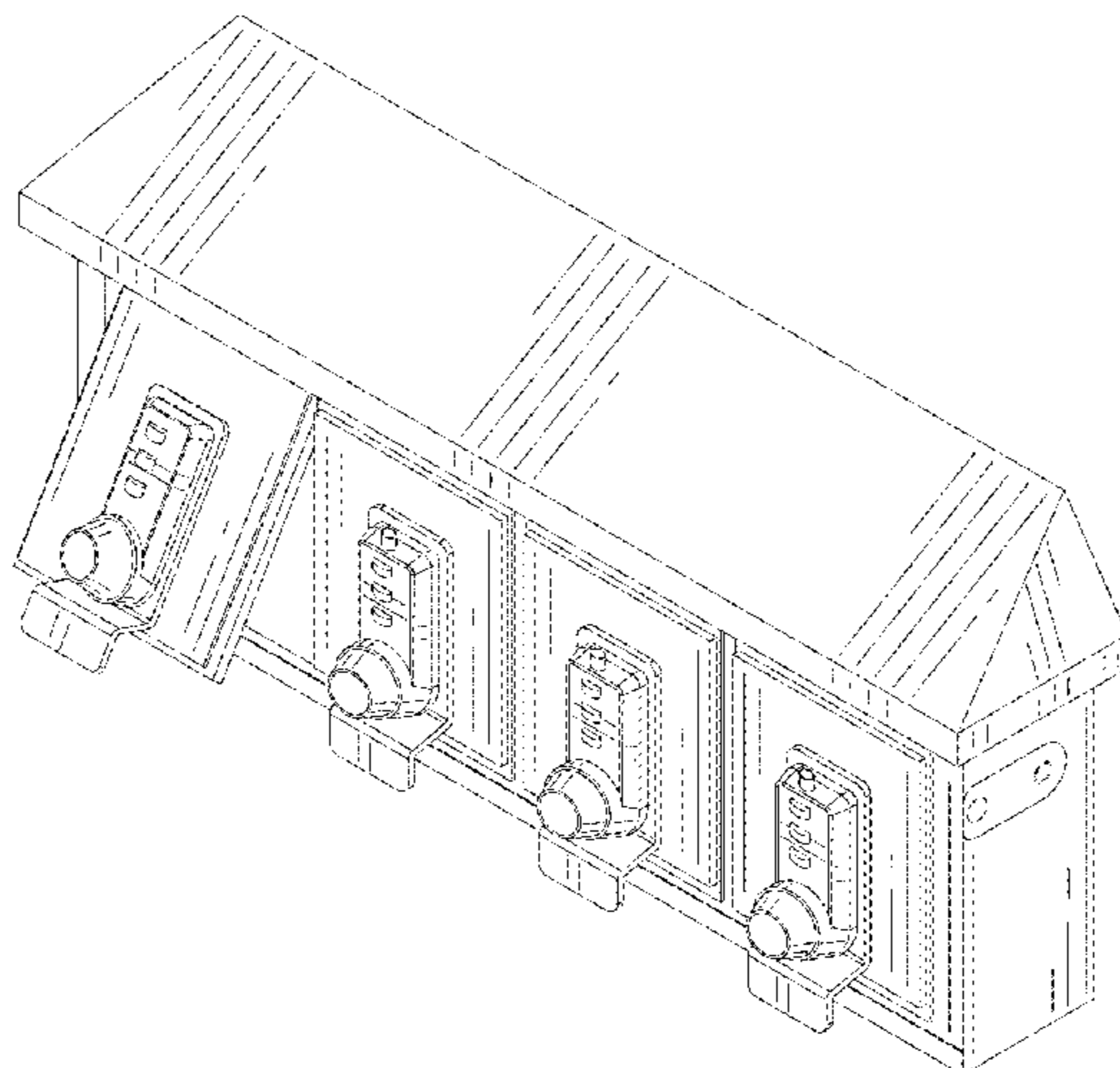
(57) **CLAIM**

The ornamental design for a lock box, as shown and described.

DESCRIPTION

FIG. 1 is a front perspective view of a lock box, showing our new design;
FIG. 2 is a front elevational view of FIG. 1;
FIG. 3 is a rear elevational view of FIG. 1;
FIG. 4 is a top plan view of FIG. 1;
FIG. 5 is a bottom plan view of FIG. 1;
FIG. 6 is a right side elevational view of FIG. 1; and,
FIG. 7 is a left side elevational view of FIG. 1.
The broken lines illustrate unclaimed portions of the design and environment and form no part of the claimed design.

1 Claim, 5 Drawing Sheets



(56)

References Cited

U.S. PATENT DOCUMENTS

D390,327 S *	2/1998	Warnelov	D99/28
D426,059 S *	6/2000	Siler	D3/294
D461,617 S *	8/2002	Gardner	D99/28
D485,041 S *	1/2004	Paris	D99/28
D498,895 S *	11/2004	Lynch	D99/28
D534,965 S *	1/2007	Chung	D21/512
D557,875 S *	12/2007	Stuhlberg	D99/28
D560,875 S *	1/2008	Decarlo	D3/273
D579,174 S *	10/2008	Decarlo	D3/273
D617,525 S *	6/2010	Taylor	D99/28
D617,974 S *	6/2010	Alfeld, Sr.	D99/28
D748,365 S *	1/2016	Nelson	D99/28
D748,889 S *	2/2016	Ng	D99/28
D758,690 S *	6/2016	Miller	D99/28

* cited by examiner

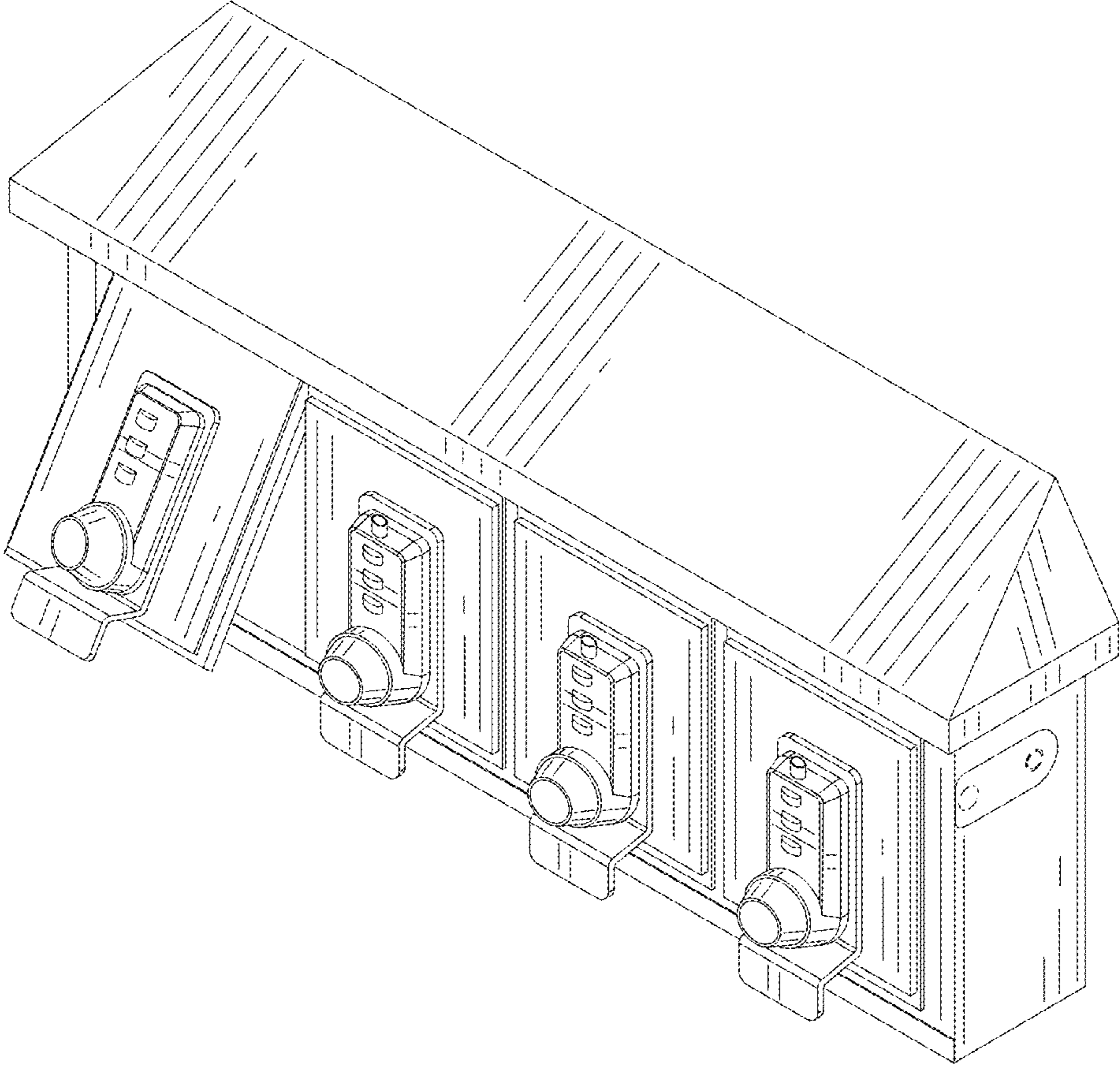


FIG. 1

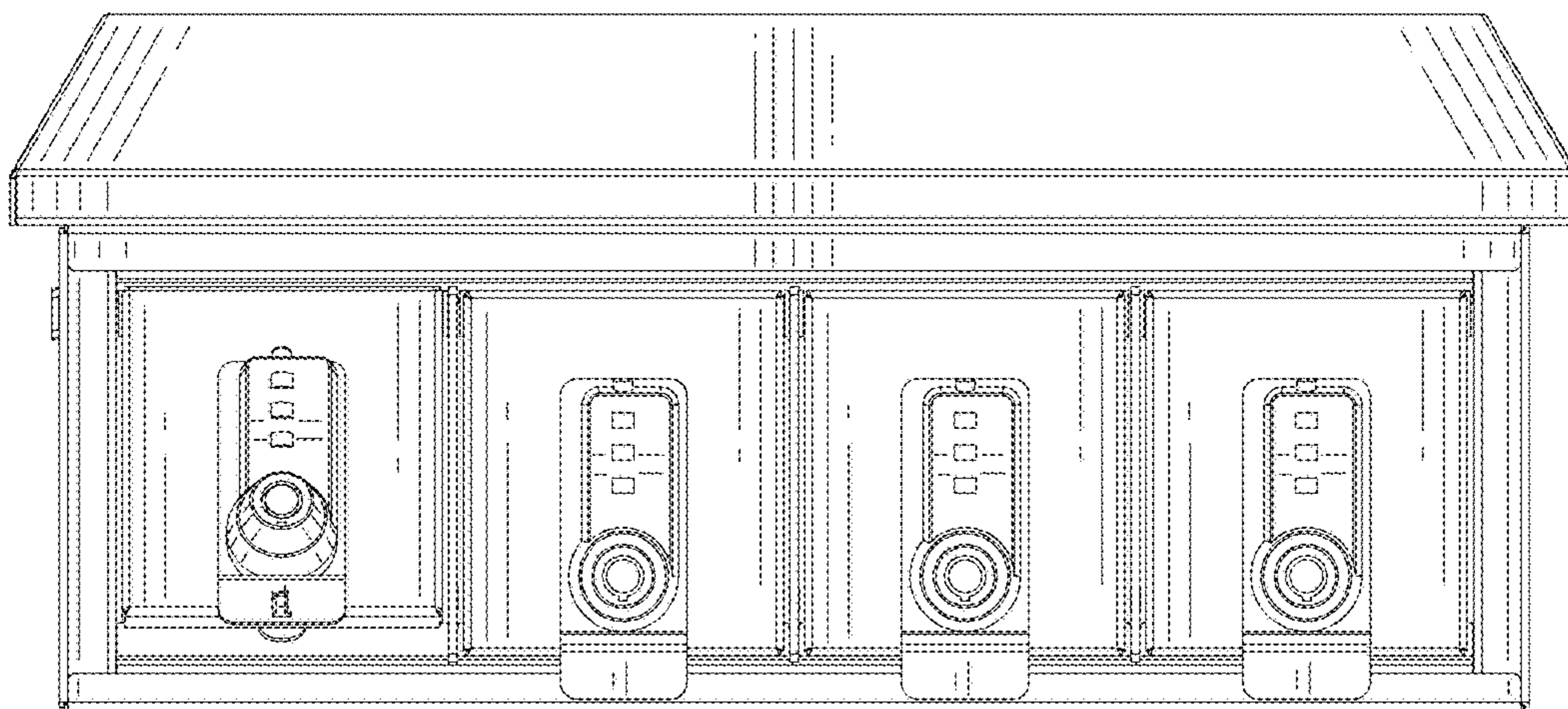


FIG. 2

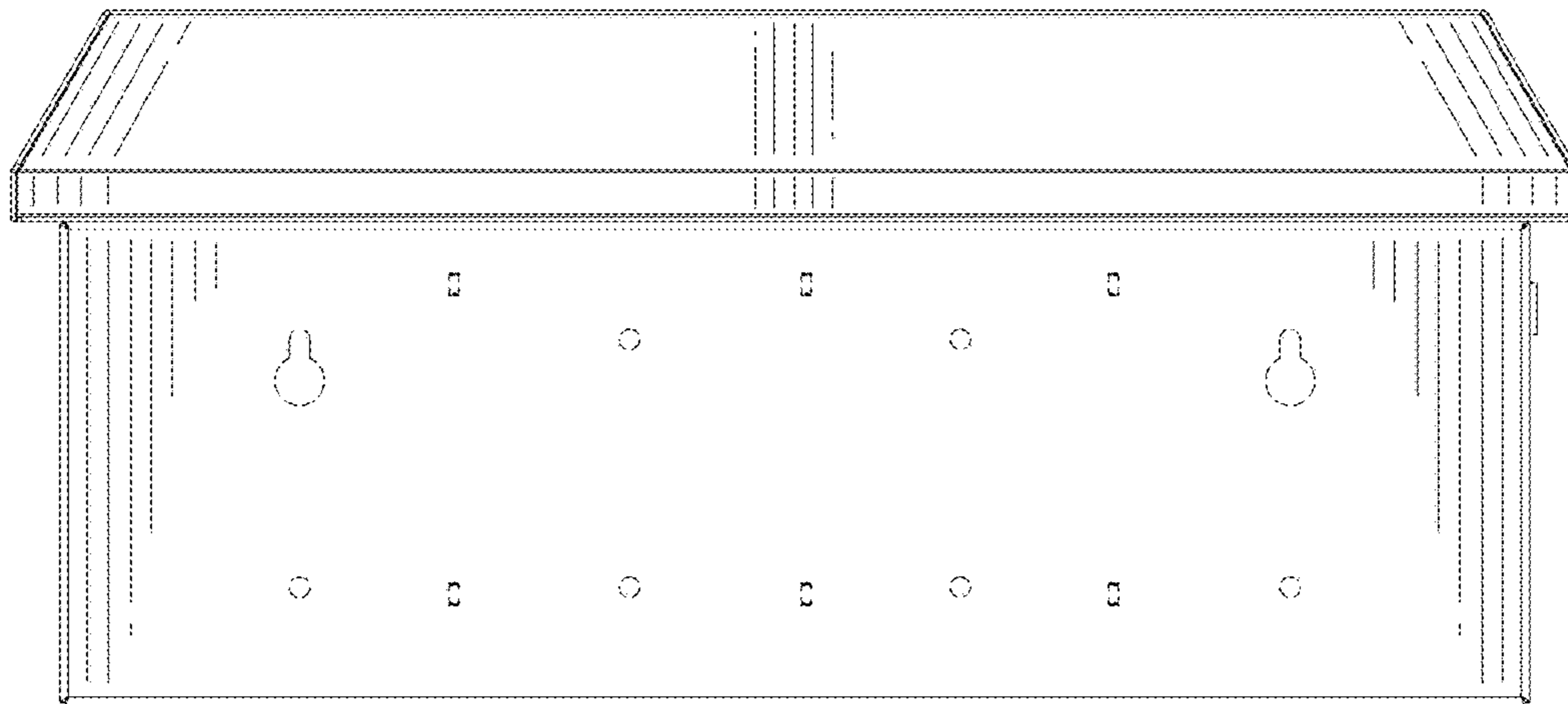


FIG. 3

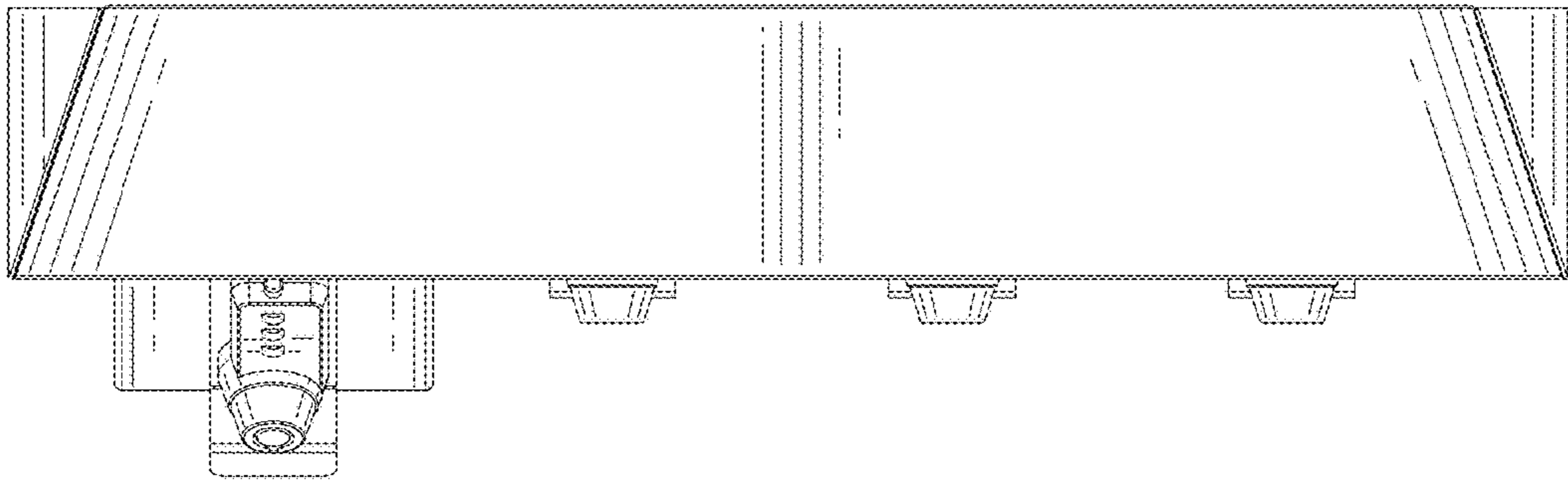


FIG. 4

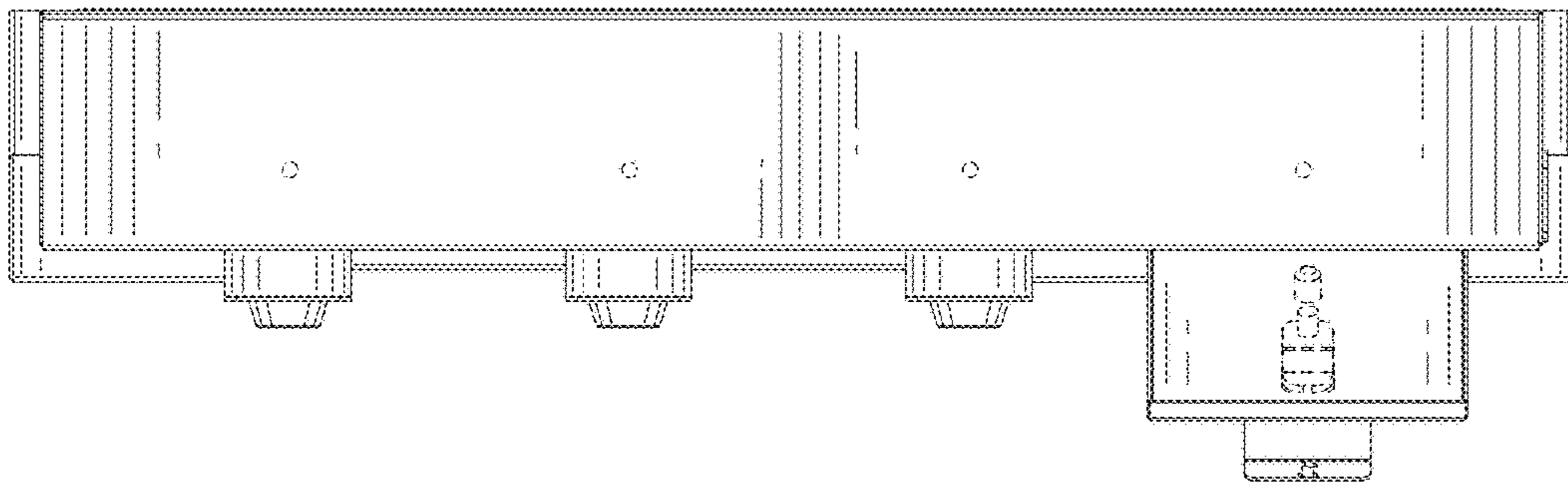


FIG. 5

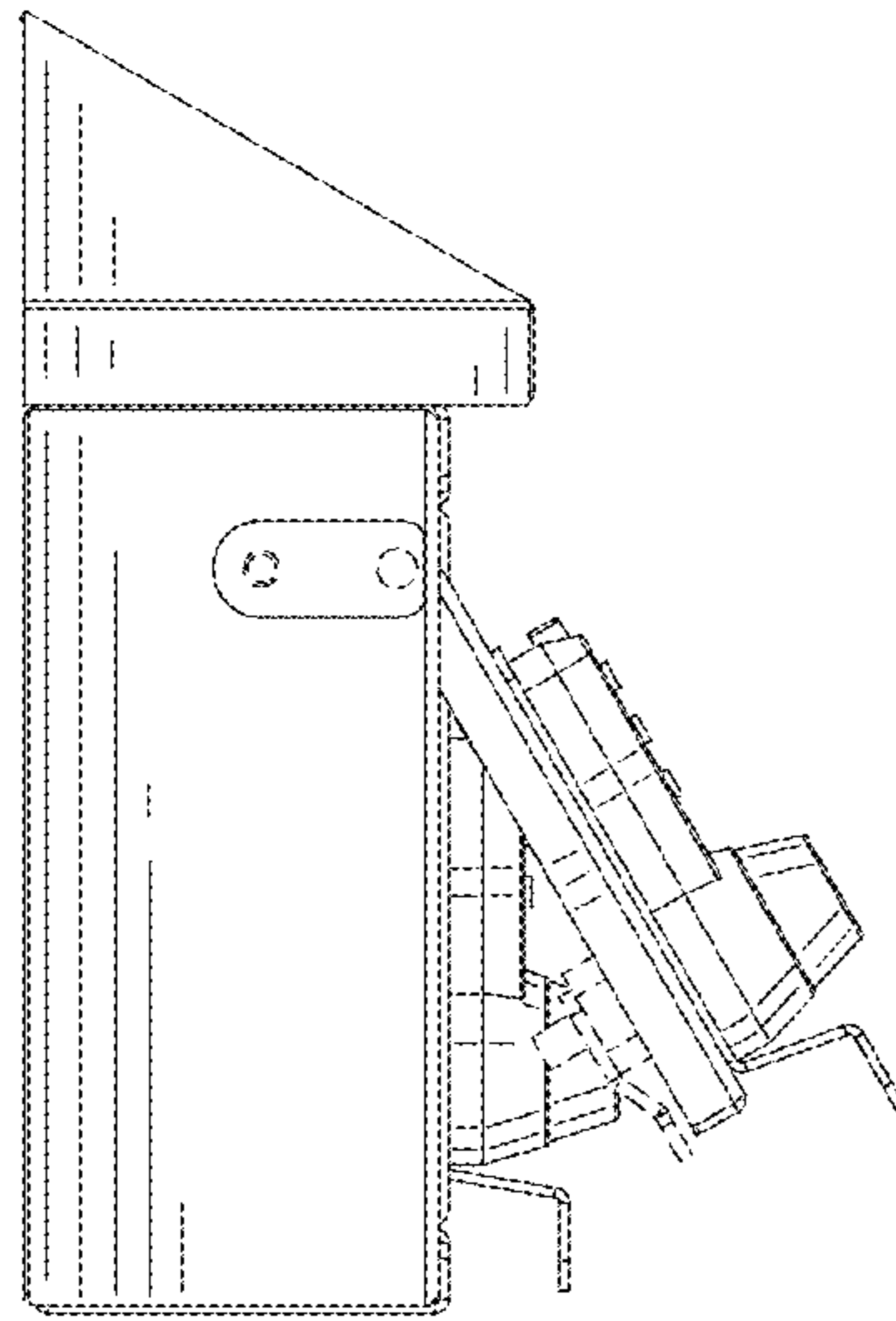


FIG. 6

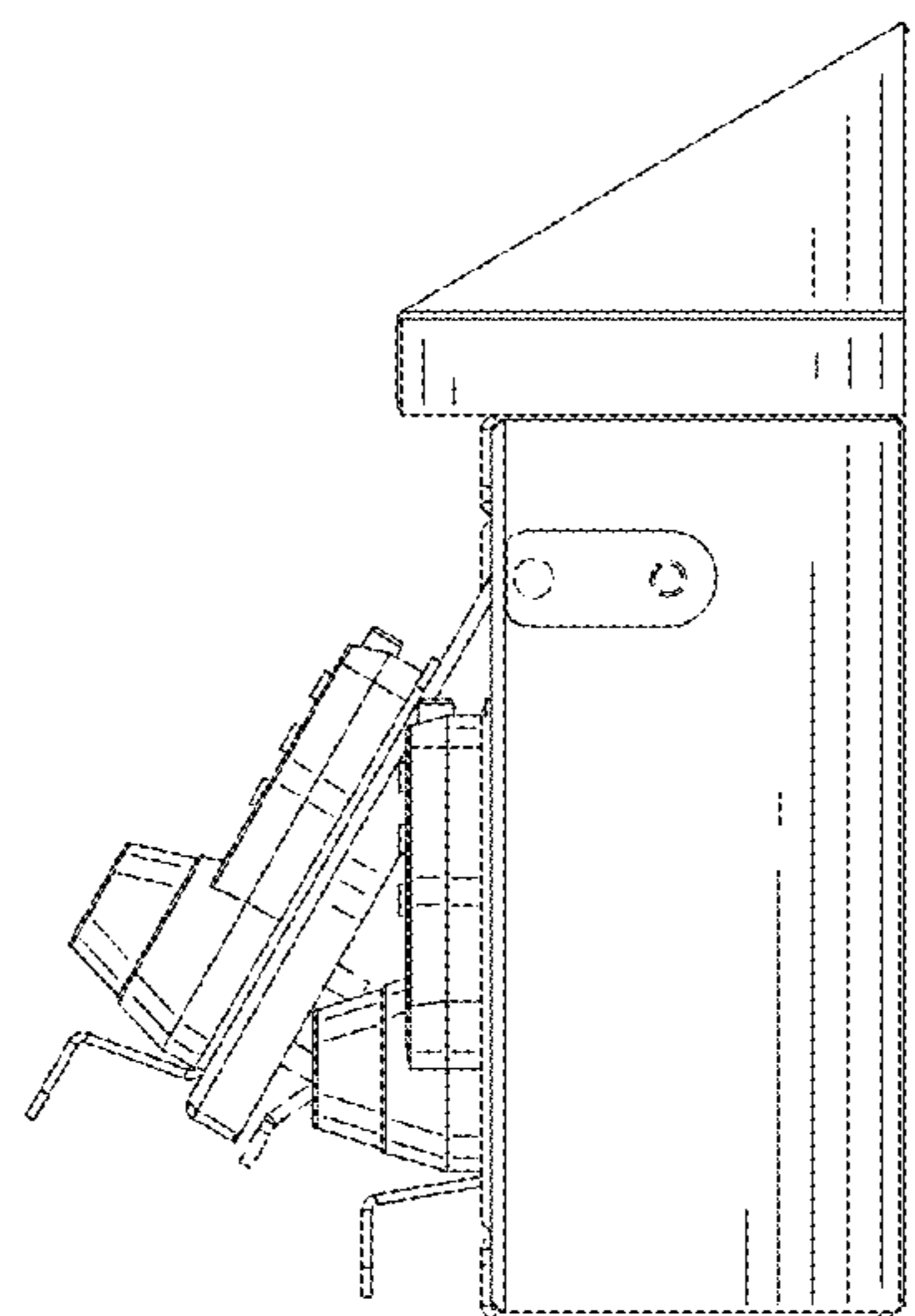


FIG. 7