



US00D854777S

(12) **United States Design Patent**
Yardley et al.

(10) **Patent No.:** **US D854,777 S**
(45) **Date of Patent:** **** Jul. 23, 2019**

- (54) **LOCK BOX**
- (71) Applicant: **Keymaster Solutions, LLC**, Wilmette, IL (US)
- (72) Inventors: **James Yardley**, Wilmette, IL (US);
Cameron Adams, Winnetka, IL (US)
- (73) Assignee: **Keymaster Solutions LLC**, Wilmette, IL (US)
- (**) Term: **15 Years**
- (21) Appl. No.: **29/651,216**
- (22) Filed: **Feb. 16, 2018**
- (51) **LOC (11) Cl.** **99-00**
- (52) **U.S. Cl.**
USPC **D99/28**
- (58) **Field of Classification Search**
USPC D99/28, 34, 35, 36, 43, 99; 109/1 R,
109/1 V, 2, 45; 902/9, 30; 235/100;
206/0.8, 0.815, 0.82; 312/400, 409
CPC E05B 65/0075; F42B 39/24; E05G 1/00;
E05G 1/005; E05G 1/024; E05G 5/00;
E05G 2700/00; E05G 2700/02; E05G
2700/04; E05G 5/02; G07D 11/0006;
G07D 9/002; G07D 9/004; G07D 11/009;
G97D 11/0009; G07F 9/06; G07F 9/003;
G07F 17/10; G07F 17/12
See application file for complete search history.

- (56) **References Cited**
U.S. PATENT DOCUMENTS
2,088,459 A * 7/1937 Bennett E05G 5/006
312/223.1
D210,257 S * 2/1968 Favaro D99/33
D210,332 S * 2/1968 Favaro D99/33
D237,630 S * 11/1975 Cantley D99/28
D249,970 S * 10/1978 Wetzel D99/28

- D273,052 S * 3/1984 Snodgrass D99/28
- 4,468,940 A * 9/1984 Davis E05B 19/0005
70/159
- 4,542,848 A * 9/1985 Peters E05C 5/04
109/45
- D291,019 S * 7/1987 Druihet D8/302
- D308,276 S * 5/1990 Appelbaum D99/28
- D308,279 S * 5/1990 Hill D99/28
- D327,793 S * 7/1992 McGrory 232/43.2
- D332,169 S * 12/1992 Nottingham D99/35
- D335,377 S * 5/1993 Speciale D3/207
- D338,766 S * 8/1993 Matheu D99/37
- D347,926 S * 6/1994 Jackson, Jr. D99/28
- D350,002 S * 8/1994 Viola D99/28
- D368,249 S * 3/1996 Ferrer D12/423
- D374,966 S * 10/1996 Matassa D99/28
- D390,327 S * 2/1998 Warnelov D99/28
- D426,059 S * 6/2000 Siler D3/294
- D461,617 S * 8/2002 Gardner D99/28
- D485,041 S * 1/2004 Paris D99/28
- D498,895 S * 11/2004 Lynch D99/28

(Continued)

Primary Examiner — Elizabeth J Oswecki
(74) *Attorney, Agent, or Firm* — Vedder Price P.C.

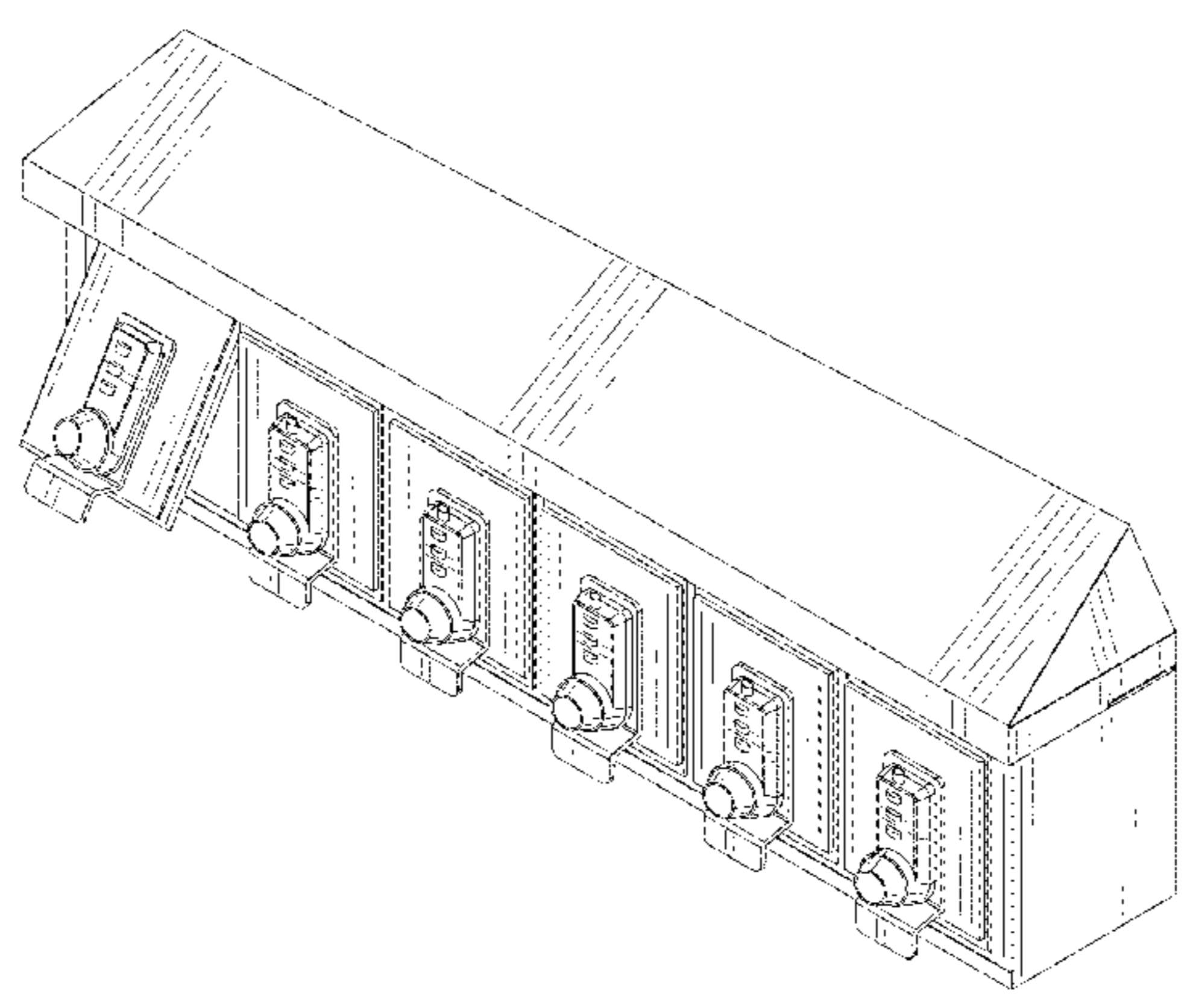
(57) **CLAIM**

The ornamental design for a lock box, as shown and described.

DESCRIPTION

FIG. 1 is a front perspective view of a lock box, showing our new design;
FIG. 2 is a front elevational view thereof;
FIG. 3 is a rear elevational view thereof;
FIG. 4 is a top plan view thereof; and
FIG. 5 is a bottom plan view thereof.
FIG. 6 is a right side elevational view thereof; and,
FIG. 7 is a left side elevational view thereof.
The broken lines illustrate unclaimed portions of the design and environment and form no part of the claimed design.

1 Claim, 6 Drawing Sheets



(56)

References Cited

U.S. PATENT DOCUMENTS

D534,965 S *	1/2007	Chung	D21/512
D557,875 S *	12/2007	Stuhlberg	D99/28
D560,875 S *	1/2008	Decarlo	D3/273
D579,174 S *	10/2008	Decarlo	D3/273
D617,525 S *	6/2010	Taylor	D99/28
D617,974 S *	6/2010	Alfeld, Sr.	D99/28
D748,365 S *	1/2016	Nelson	D99/28
D748,889 S *	2/2016	Ng	D99/28
D758,690 S *	6/2016	Miller	D99/28

* cited by examiner

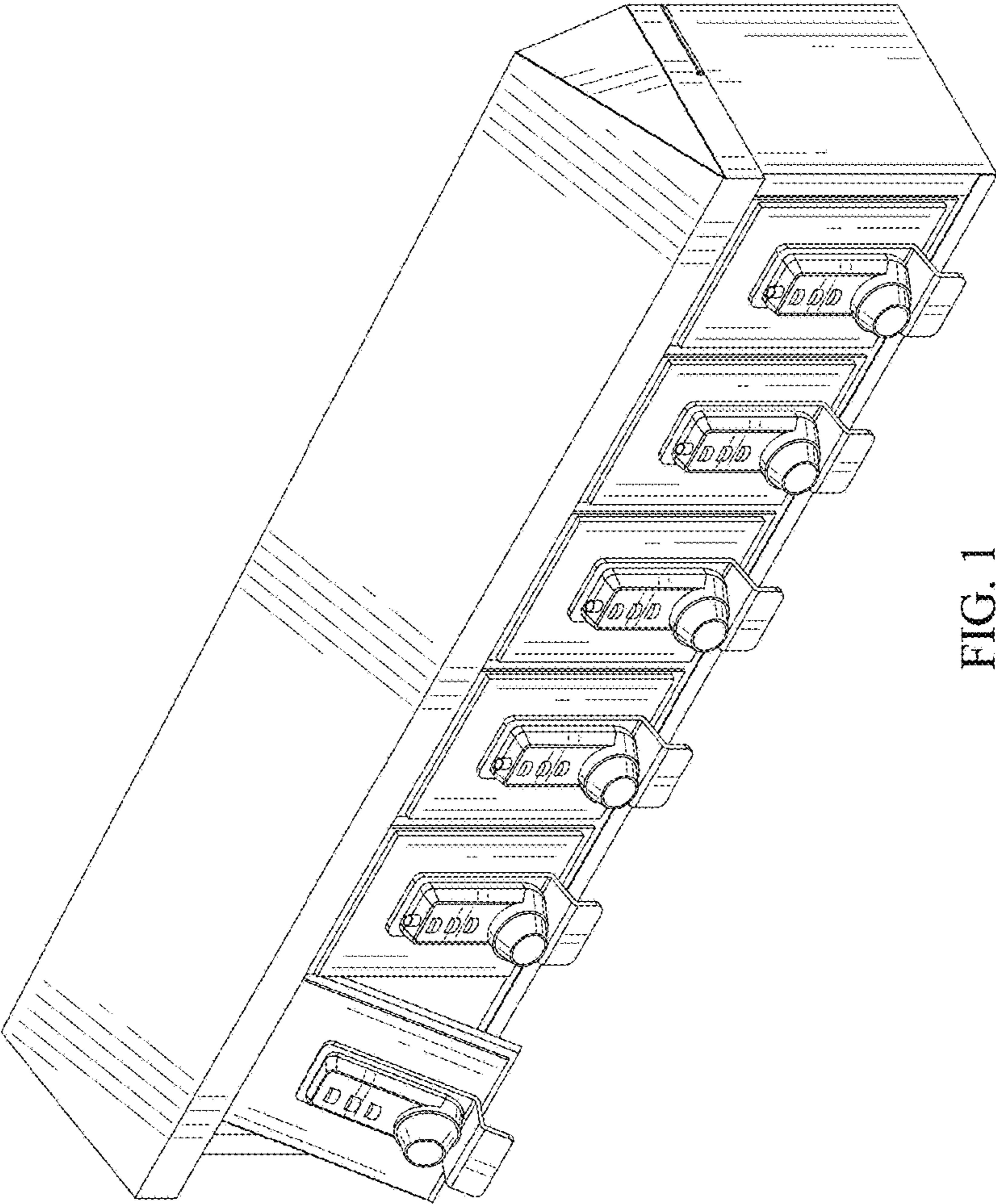


FIG. 1

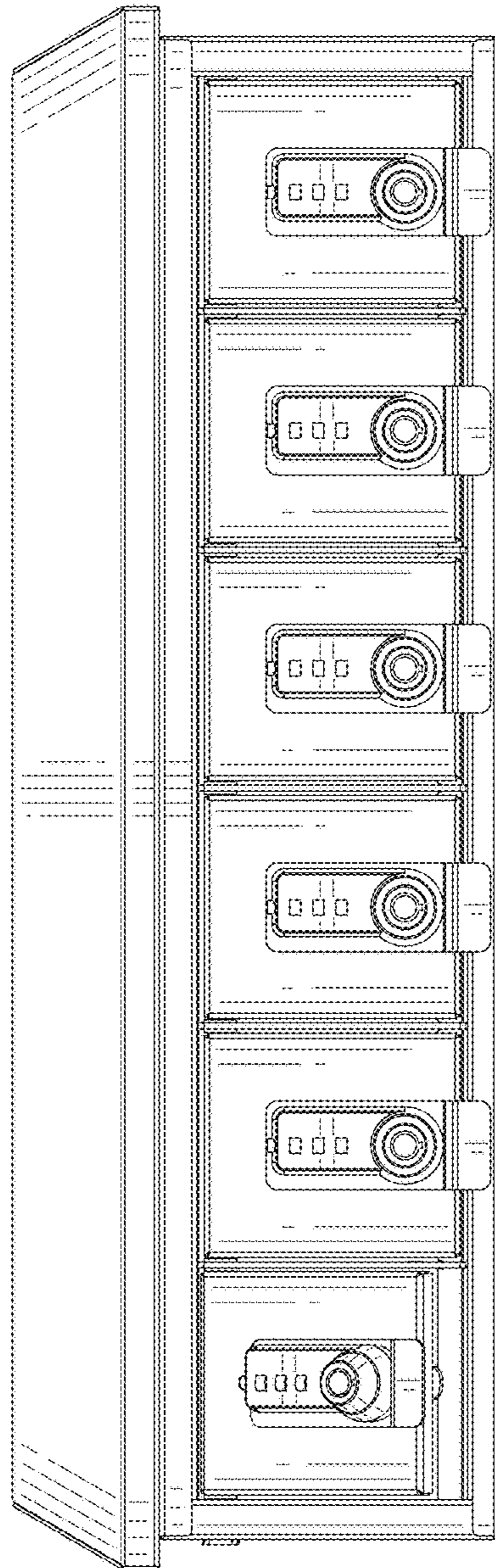


FIG. 2

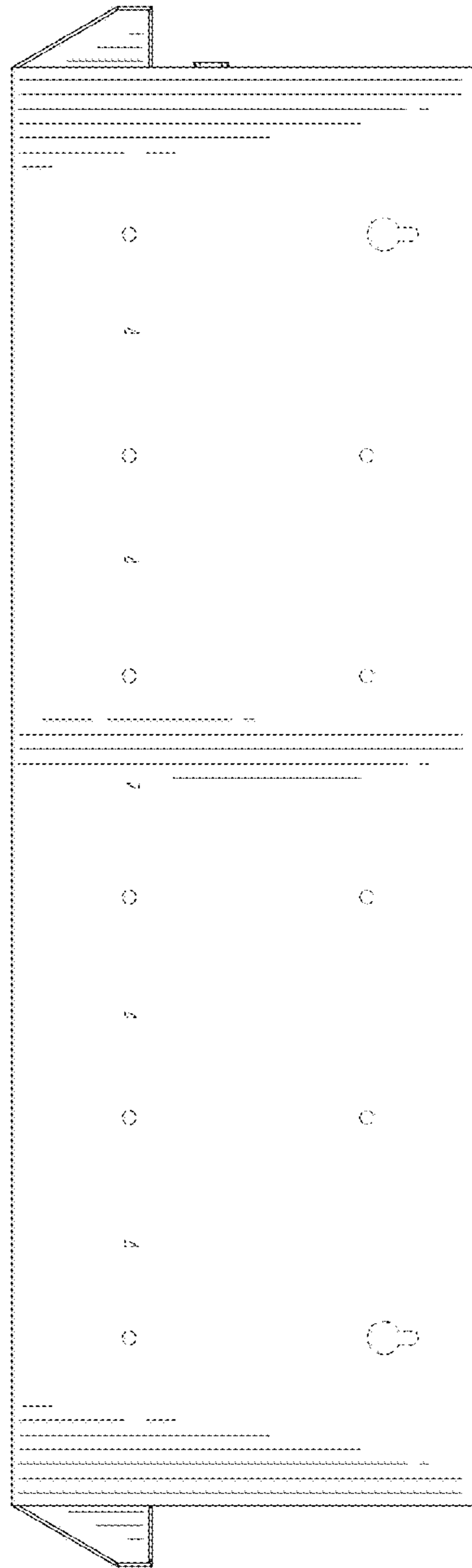


FIG. 3

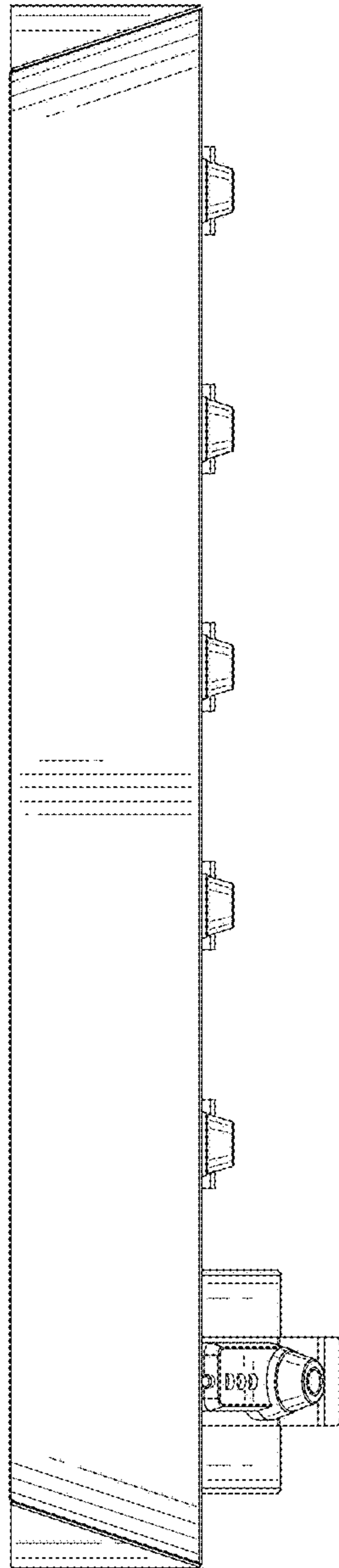


FIG. 4

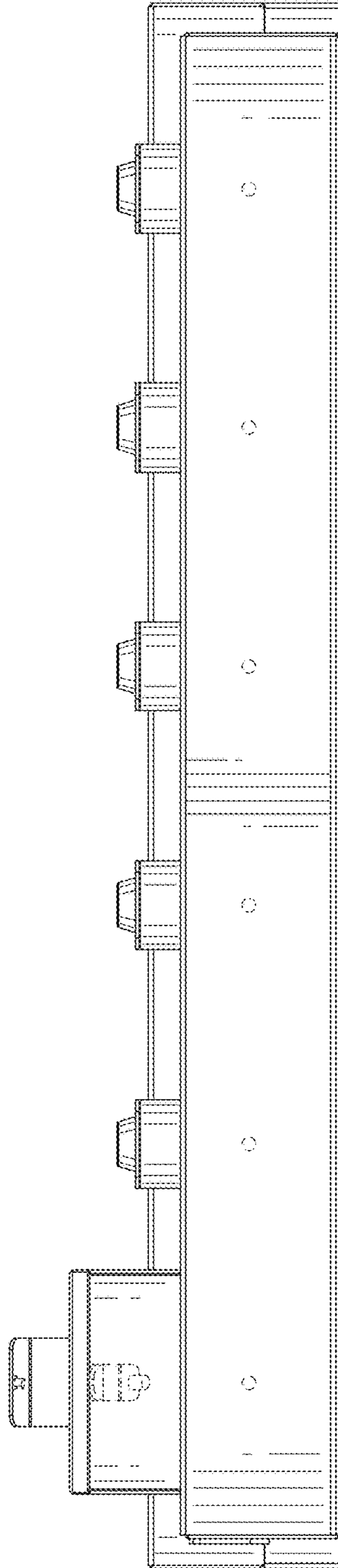


FIG. 5

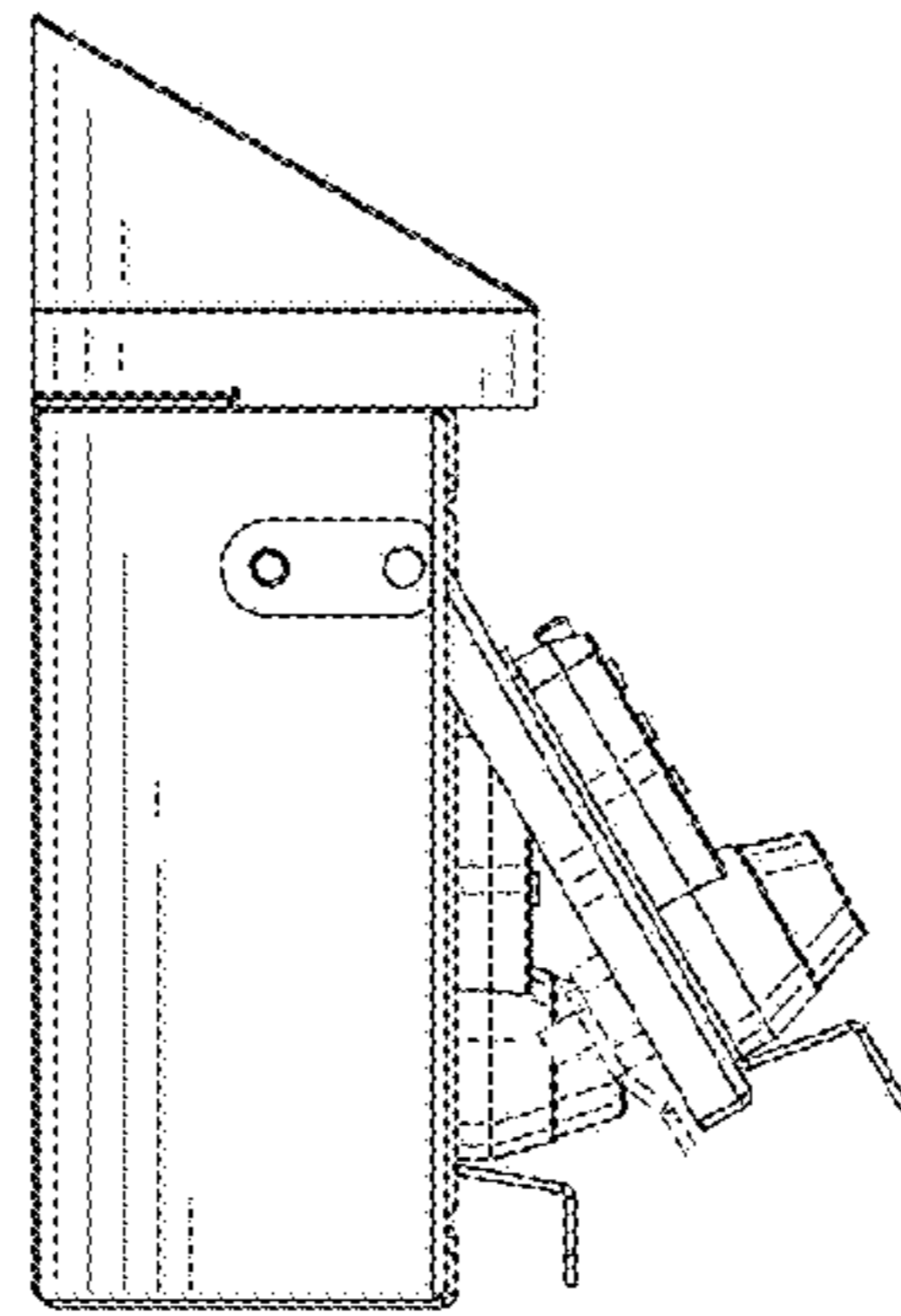


FIG. 6

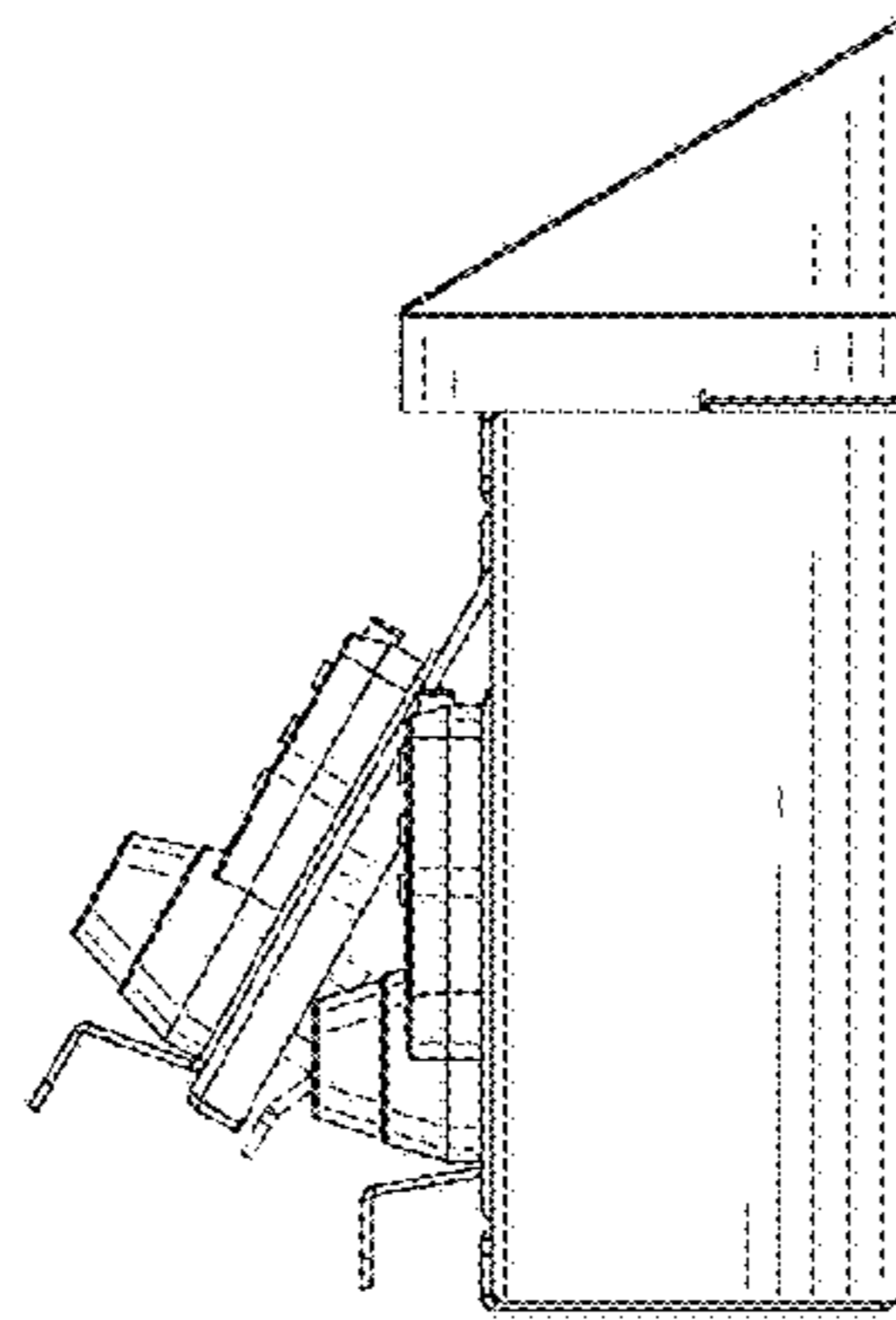


FIG. 7