



US00D854775S

(12) **United States Design Patent**
Chang et al.

(10) **Patent No.:** **US D854,775 S**
(45) **Date of Patent:** **** Jul. 23, 2019**

(54) **ELEVATION APPARATUS FOR LIFT TABLE**

DESCRIPTION

- (71) Applicant: **G.S.ACE INDUSTRY CO., LTD.**,
Gyeonggi-do (KR)
 - (72) Inventors: **Young Il Chang**, Gyeonggi-do (KR);
Myung Chun Lee, Gyeonggi-do (KR);
Ju Sik Gong, Gyeonggi-do (KR)
 - (73) Assignee: **G.S.ACE INDUSTRY CO., LTD.**,
Gyeonggi-Do (KR)
 - (**) Term: **15 Years**
 - (21) Appl. No.: **29/612,662**
 - (22) Filed: **Aug. 2, 2017**
 - (30) **Foreign Application Priority Data**
Jun. 28, 2017 (KR) 30-2017-0029749
 - (51) **LOC (11) Cl.** **12-05**
 - (52) **U.S. Cl.**
USPC **D34/28**
 - (58) **Field of Classification Search**
CPC A47B 1/00; A47B 7/00; A47B 9/00; A47B
9/10; A47B 9/16; A47B 9/02; A47B
11/00;
- (Continued)

(56) **References Cited**

U.S. PATENT DOCUMENTS

- 3,472,183 A * 10/1969 Goodman A47B 9/00
108/147
- 3,820,631 A * 6/1974 King et al. B66F 11/042
182/141

(Continued)

Primary Examiner — Cynthia Ramirez

(74) *Attorney, Agent, or Firm* — Ladas & Parry, LLP

(57) **CLAIM**

The ornamental design for an elevation apparatus for a lift table, as shown and described.

FIG. 1 is a perspective view of an elevation apparatus for a lift table in an elevated and unfolded state showing the claimed design;

FIG. 2 is a front view of the elevation apparatus for the lift table in the elevated and unfolded state showing the claimed design;

FIG. 3 is a rear view of the elevation apparatus for the lift table in the elevated and unfolded state showing the claimed design;

FIG. 4 is a left side view of the elevation apparatus for the lift table in the elevated and unfolded state showing the claimed design;

FIG. 5 is a right side view of the elevation apparatus for the lift table in the elevated and unfolded state showing the claimed design;

FIG. 6 is a top plan view of the elevation apparatus for the lift table in the elevated and unfolded state showing the claimed design;

FIG. 7 is a bottom plan view of the elevation apparatus for the lift table in the elevated and unfolded state showing the claimed design;

FIG. 8 is a perspective view of the elevation apparatus for the lift table in a non-elevated and folded state showing the claimed design;

FIG. 9 is a front view of the elevation apparatus for the lift table in the non-elevated and folded state showing the claimed design;

FIG. 10 is a rear view of the elevation apparatus for the lift table in the non-elevated and folded state showing the claimed design;

FIG. 11 is a left side view of the elevation apparatus for the lift table in the non-elevated and folded state showing the claimed design;

FIG. 12 is a right side view of the elevation apparatus for the lift table in the non-elevated and folded state showing the claimed design;

FIG. 13 is a top plan view of the elevation apparatus for the lift table in the non-elevated and folded state showing the claimed design; and,

(Continued)

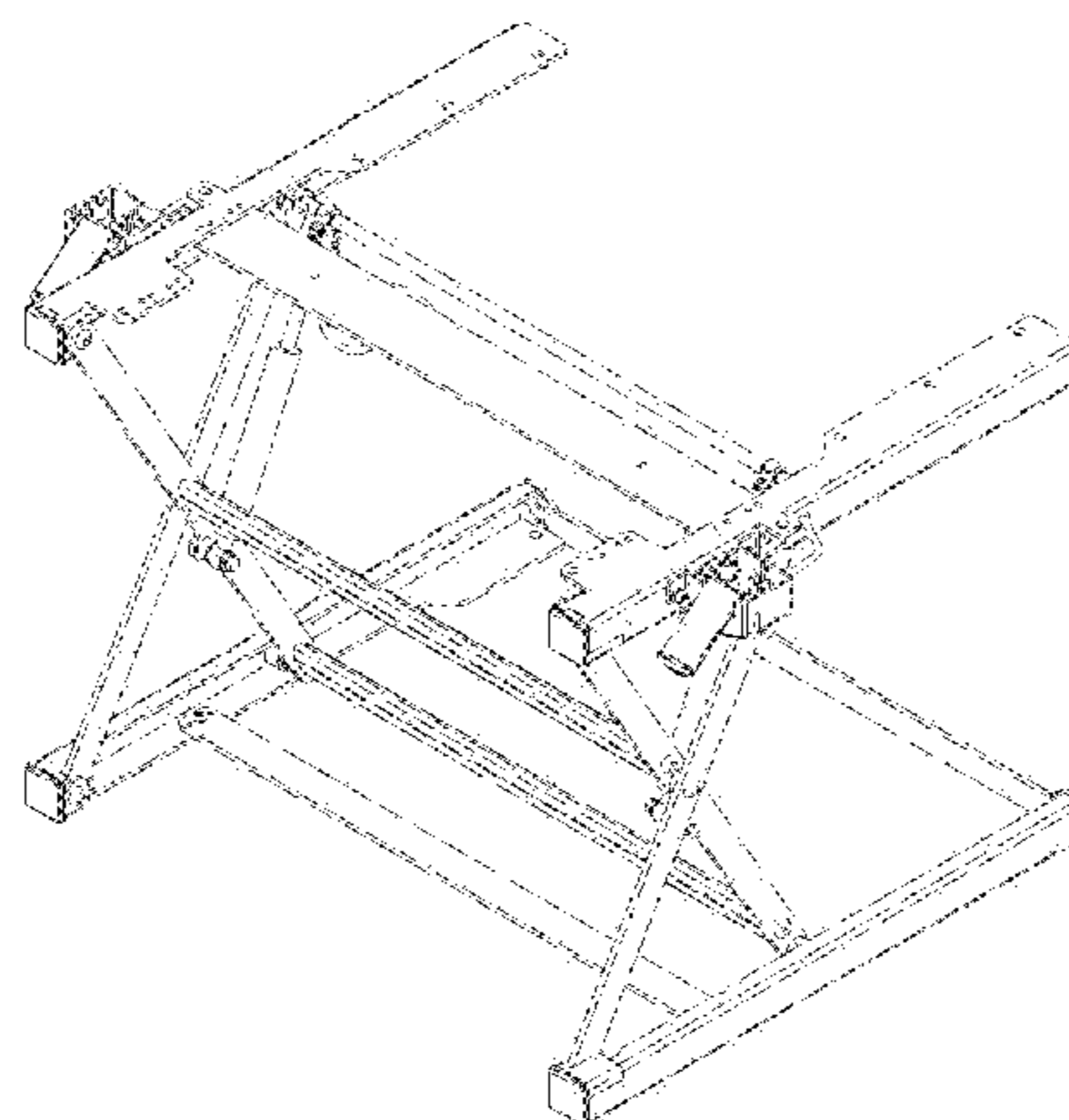


FIG. 14 is a bottom plan view of the elevation apparatus for the lift table in the non-elevated and folded state showing the claimed design.

1 Claim, 14 Drawing Sheets

(58) **Field of Classification Search**

CPC .. A47B 13/00; A47B 13/081; A47B 21/0073; A47B 2200/005; A47B 2200/0064; B66F 7/0658; B66F 9/06; B66F 5/00; B66F 5/02; B66F 7/00; B66F 7/04; B66F 7/06; B66F 6/00; B66F 6/11; B66F 9/065; B66F 17/006; B66F 17/0666; B66F 11/046; E04G 1/22; B62B 1/18; B62B 1/10

See application file for complete search history.

(56) **References Cited**

U.S. PATENT DOCUMENTS

4,488,326 A * 12/1984 Cherry B66F 7/0625
14/69.5
4,741,512 A * 5/1988 Elkuch B66F 7/065
248/421
4,995,130 A * 2/1991 Hahn B65G 69/2823
14/71.3
5,113,972 A * 5/1992 Haak, Sr. B66F 11/042
187/269
D346,254 S * 4/1994 Novak D34/28
D375,602 S * 11/1996 Henthorn D34/28
5,588,377 A * 12/1996 Fahmian A47B 9/00
108/145
D378,155 S * 2/1997 Bartow D34/28

5,833,198 A * 11/1998 Graetz A47B 9/16
248/370
6,651,775 B2 * 11/2003 Bassett, Jr. B66F 11/042
182/69.5
6,814,188 B1 * 11/2004 Heckert B66F 7/065
187/211
D640,030 S * 6/2011 Fukuma D34/28
D640,440 S * 6/2011 Thurm D34/28
8,015,638 B2 * 9/2011 Shimada A47C 19/04
108/145
D771,982 S * 11/2016 Flaherty D6/655
9,615,655 B1 * 4/2017 Huang A47B 9/16
D814,736 S * 4/2018 Kritzer D34/28
9,961,991 B1 * 5/2018 Chen A47B 21/02
D825,131 S * 8/2018 Wik D34/28
D827,241 S * 8/2018 Kritzer D34/28
D830,739 S * 10/2018 Min D6/655
D832,623 S * 11/2018 Flaherty D6/655
2012/0034055 A1 * 2/2012 Leonard B60D 1/00
414/495
2013/0139736 A1 * 6/2013 Flaherty A47B 9/18
108/106
2014/0014886 A1 * 1/2014 Ruth sen. B66F 17/00
254/122
2014/0027693 A1 * 1/2014 Hallman B66F 5/00
254/8 C
2015/0159803 A1 * 6/2015 Lin F16M 11/24
108/50.11
2015/0289641 A1 * 10/2015 Ergun A47B 9/16
108/42
2017/0049224 A1 * 2/2017 Kim A47B 21/02
2017/0240396 A1 * 8/2017 Oberg B66F 9/065
2018/0103752 A1 * 4/2018 Zhong A47B 3/02
2018/0177289 A1 * 6/2018 Chen A47B 21/0314
2018/0184797 A1 * 7/2018 Chuang A47B 9/16
2018/0206630 A1 * 7/2018 Chang A47B 13/081
2018/0255919 A1 * 9/2018 Swartz A47B 9/02

* cited by examiner

FIG. 1

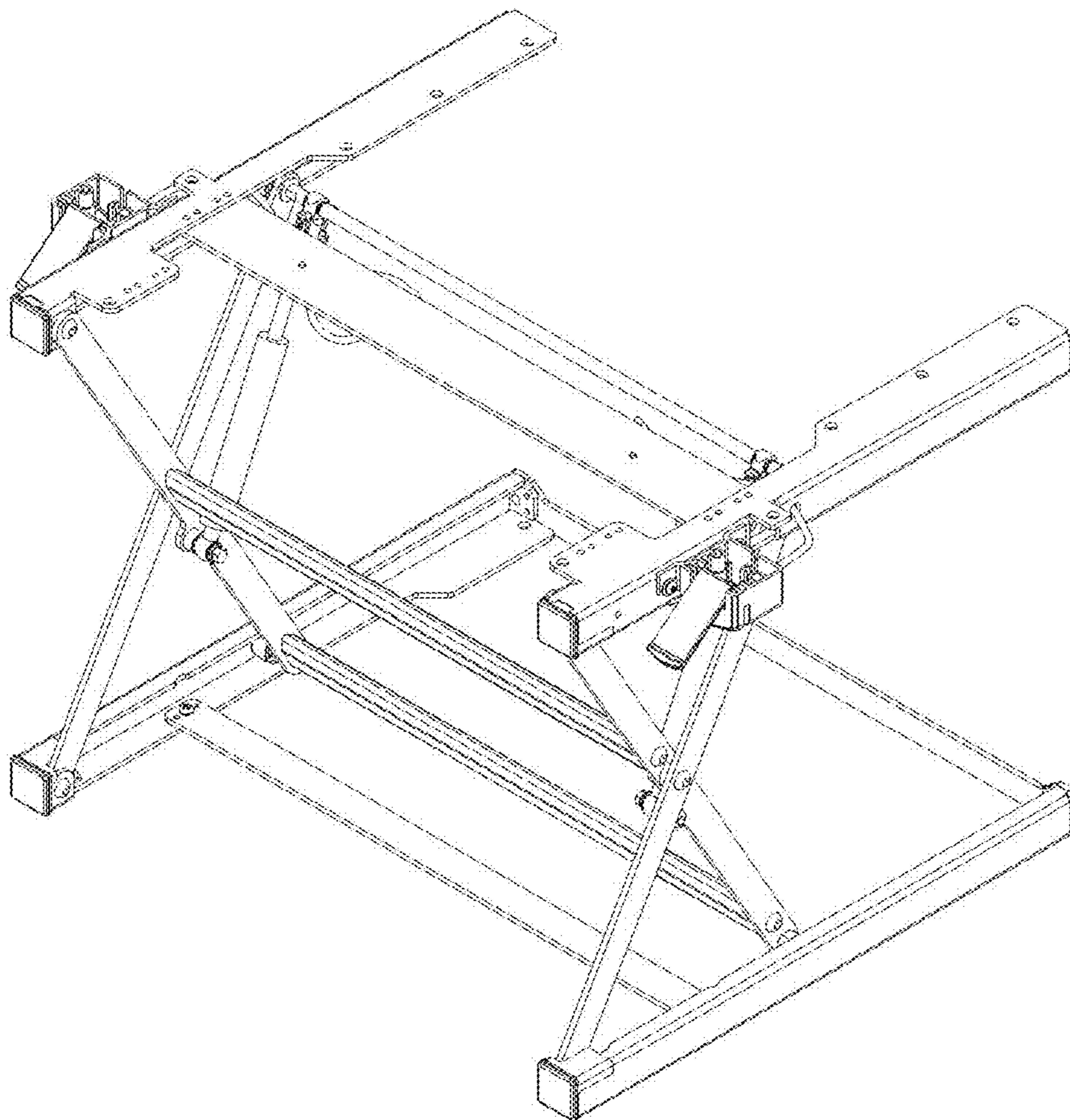


FIG. 2

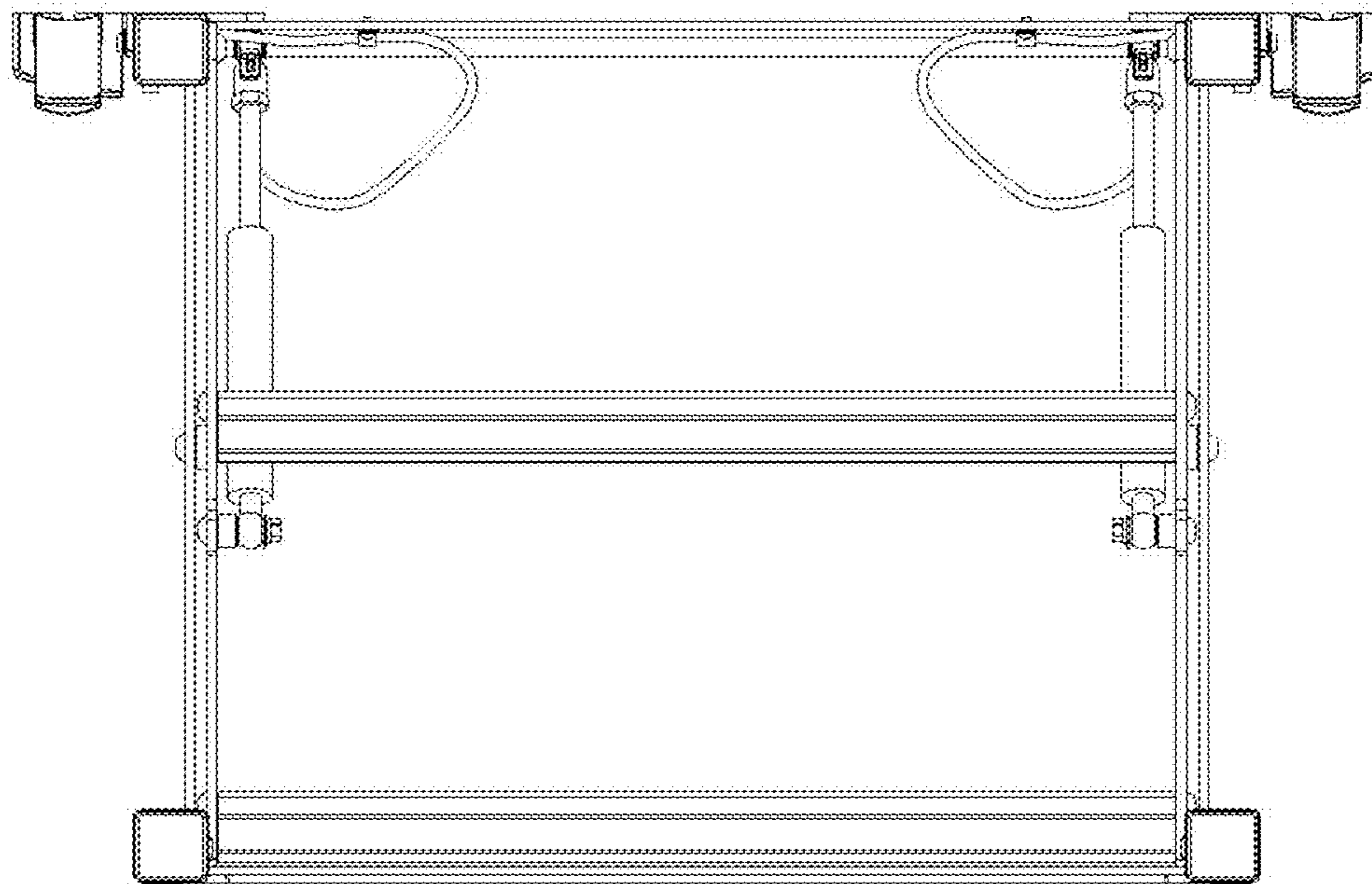


FIG. 3

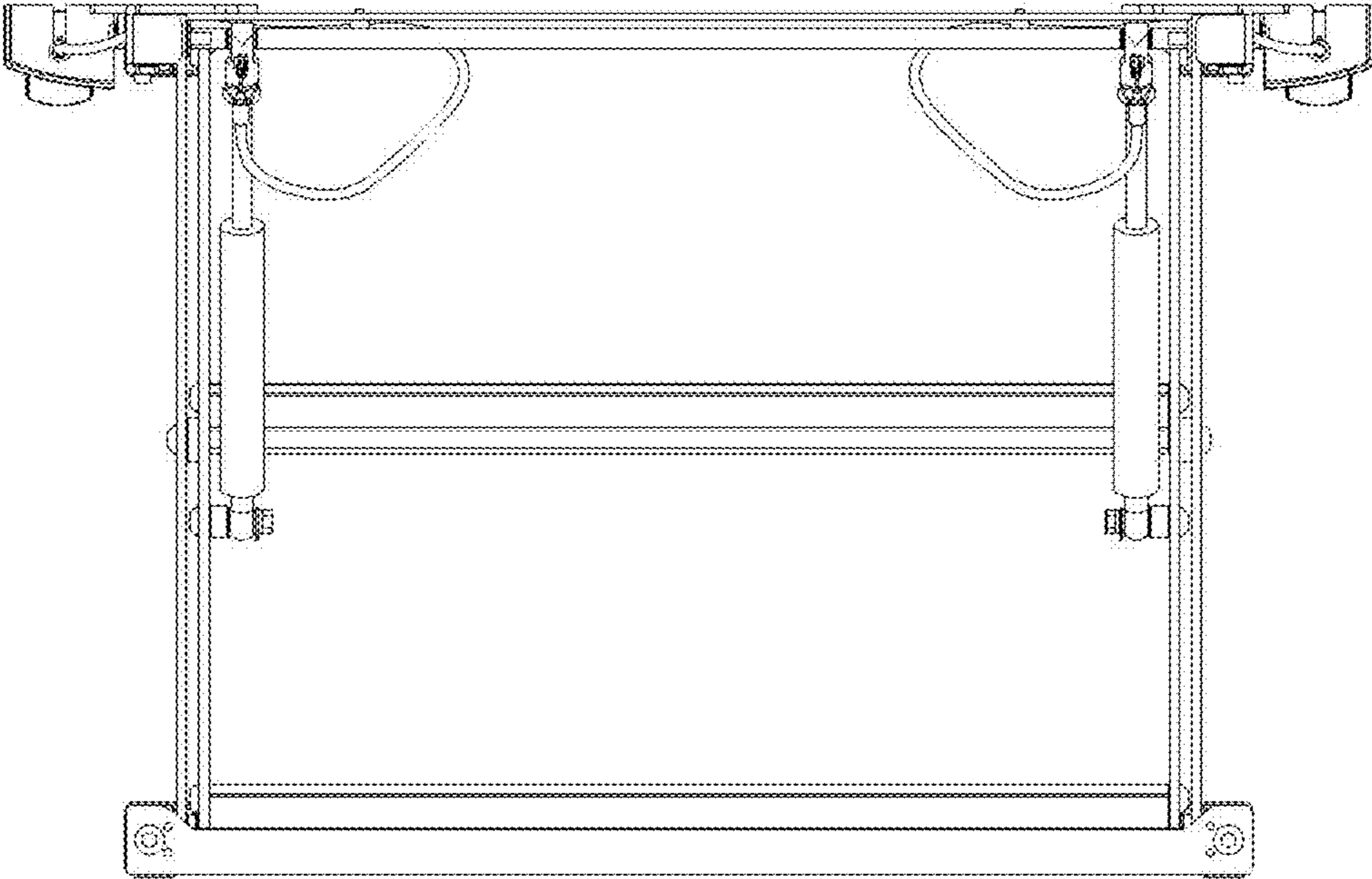


FIG. 4

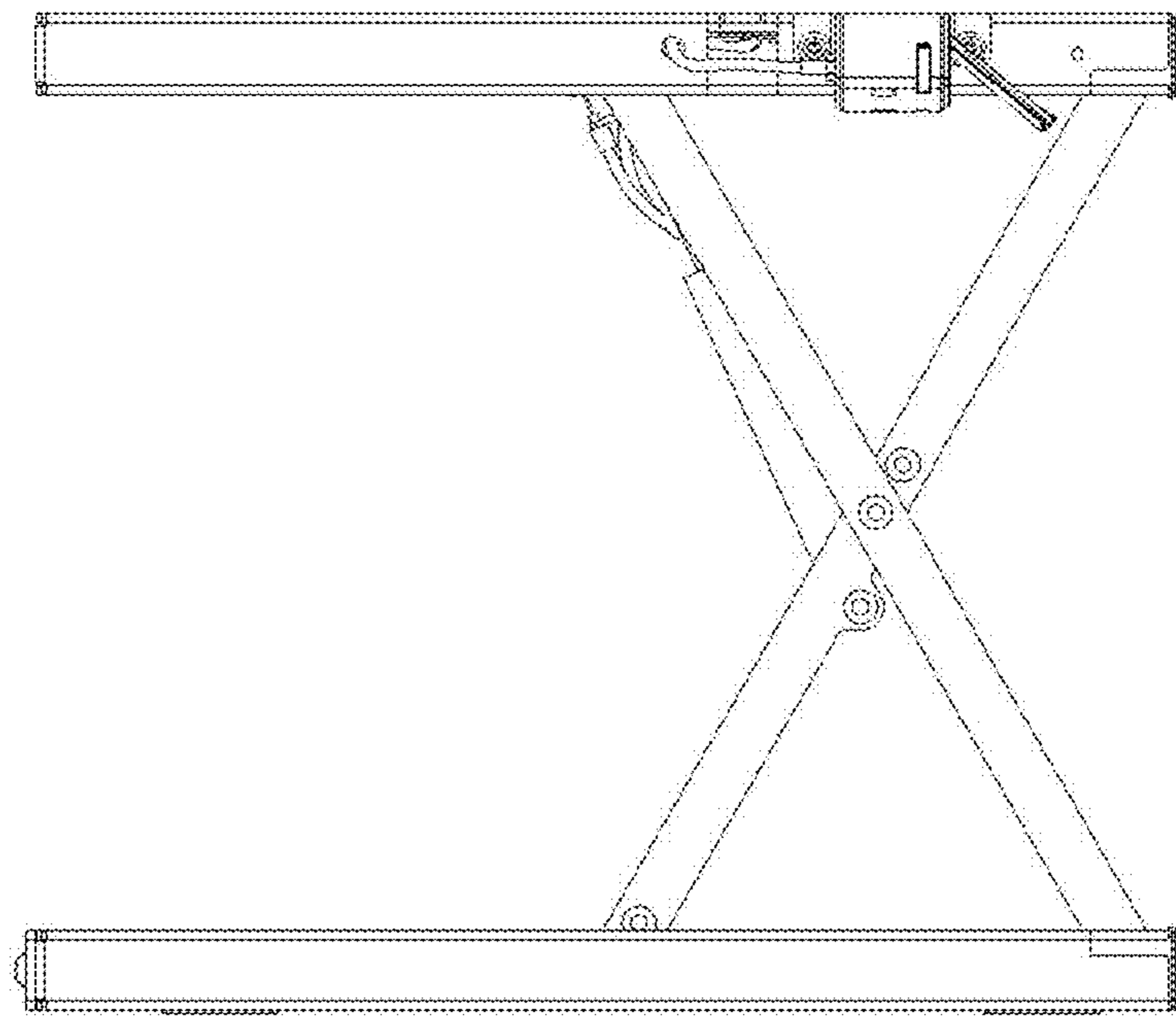


FIG. 5

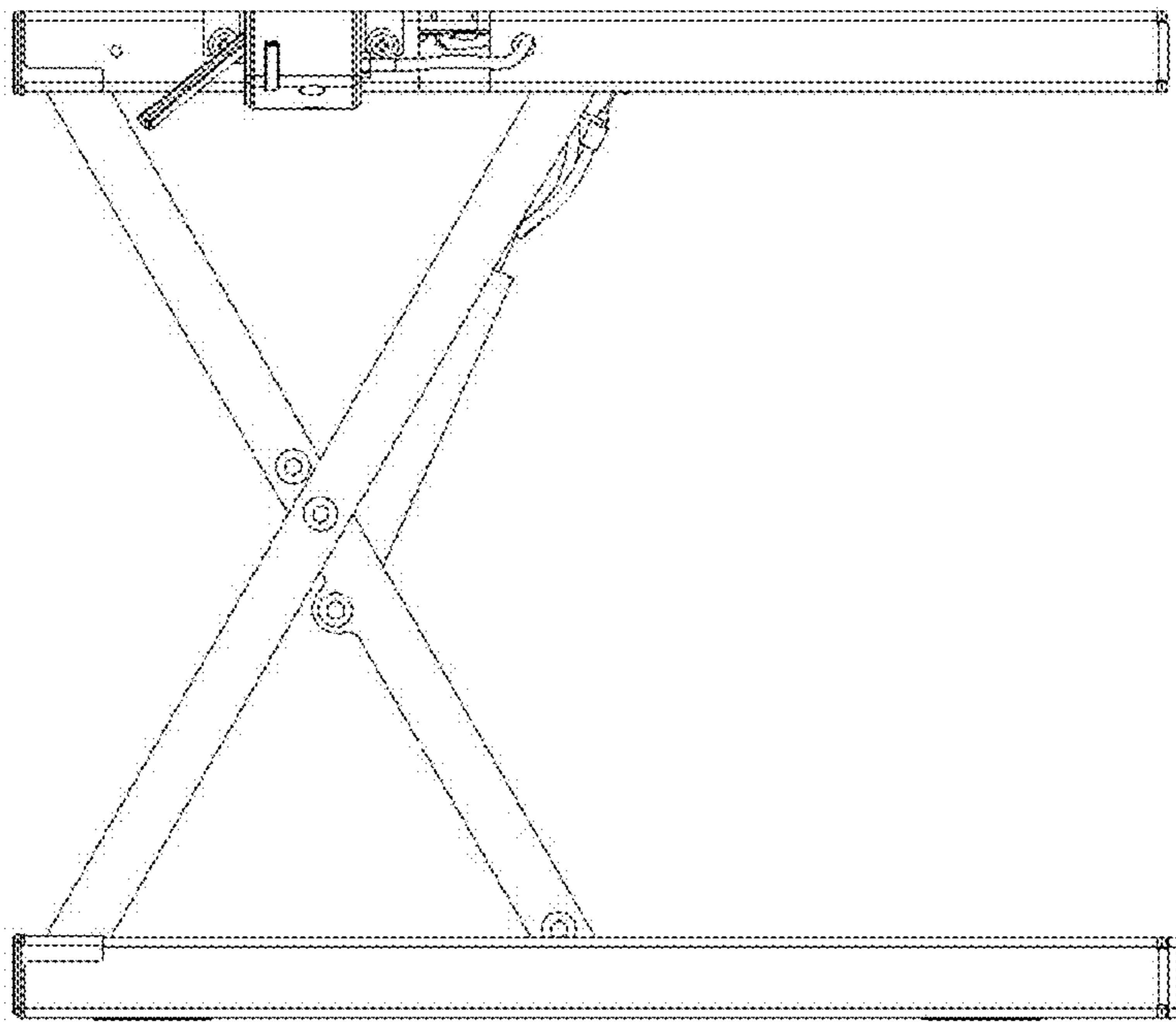


FIG. 6

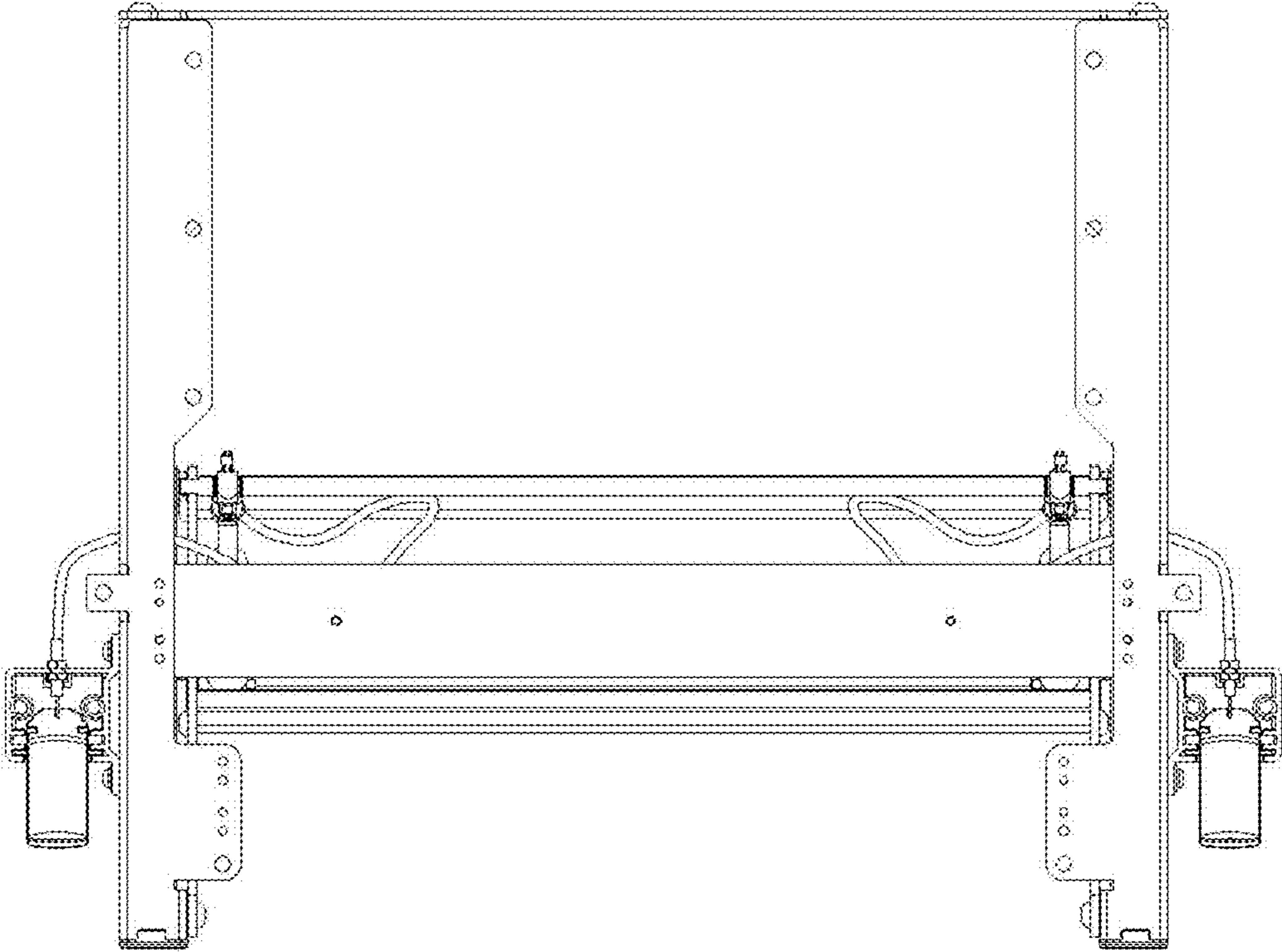


FIG. 7

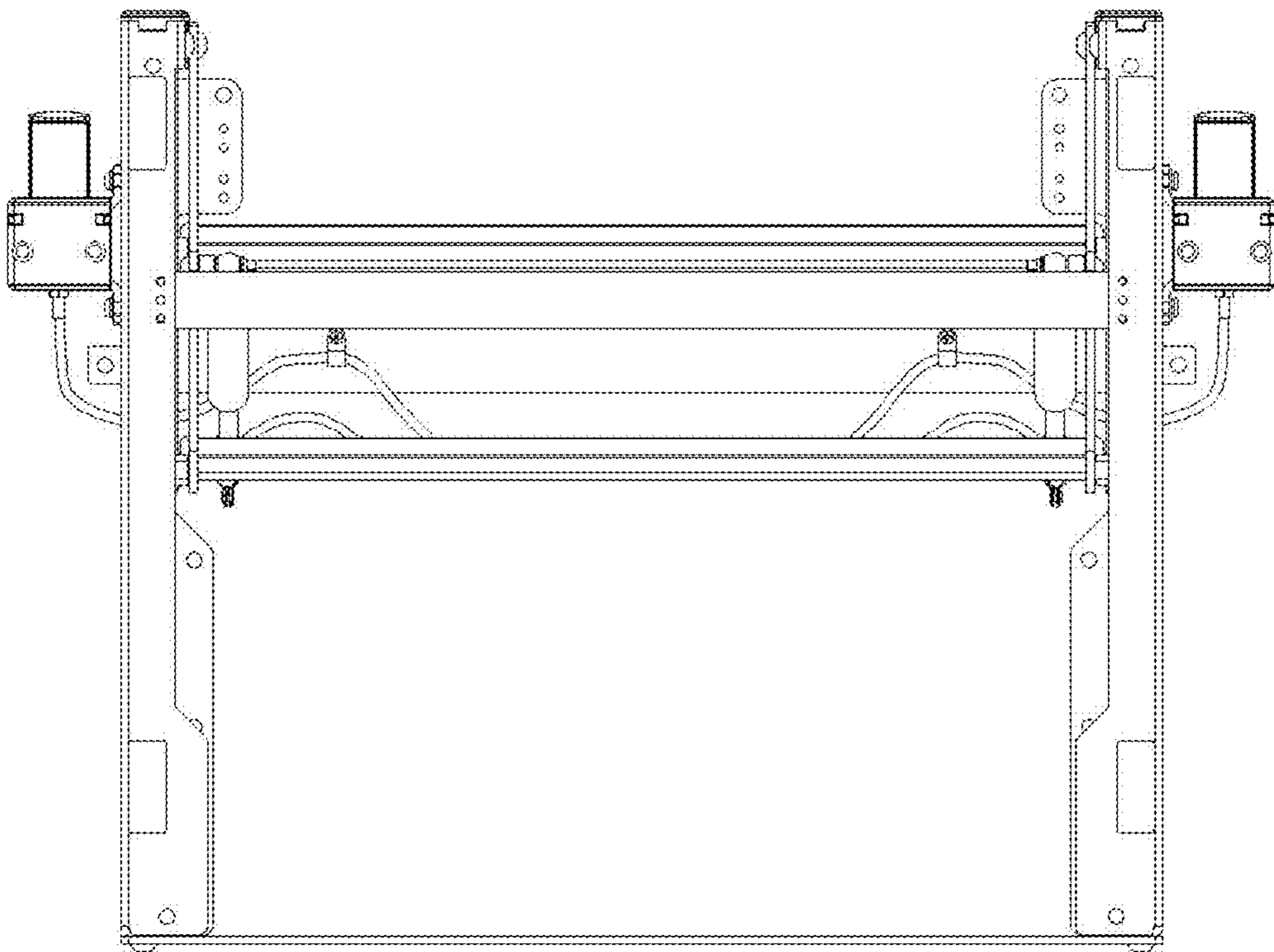


FIG. 8

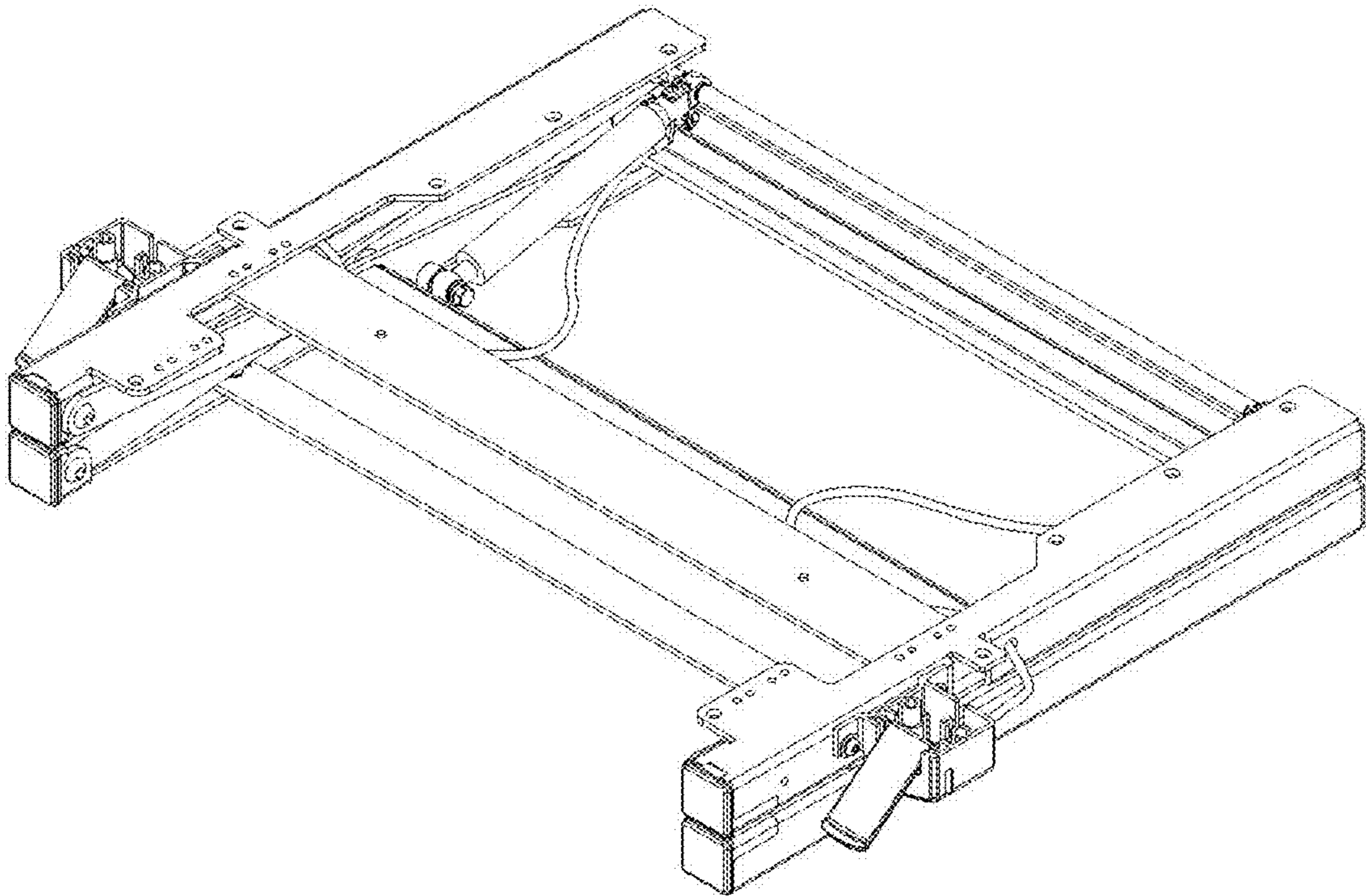


FIG. 9

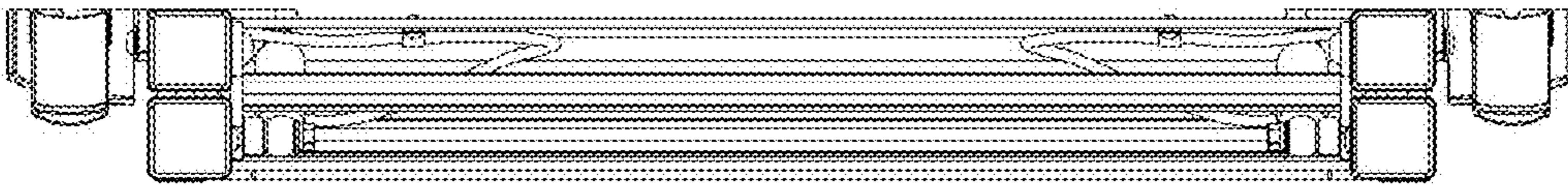


FIG. 10

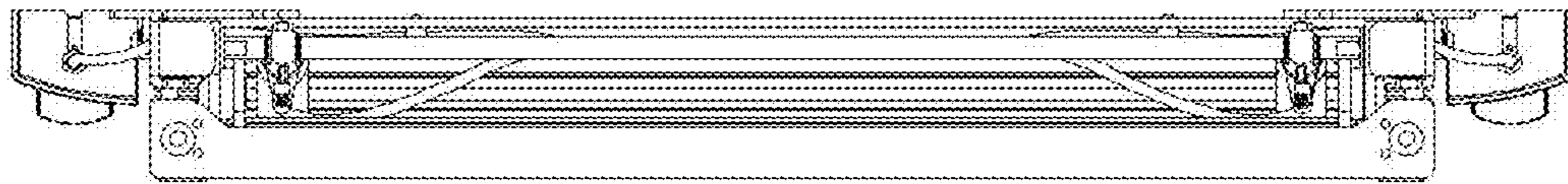


FIG. 11

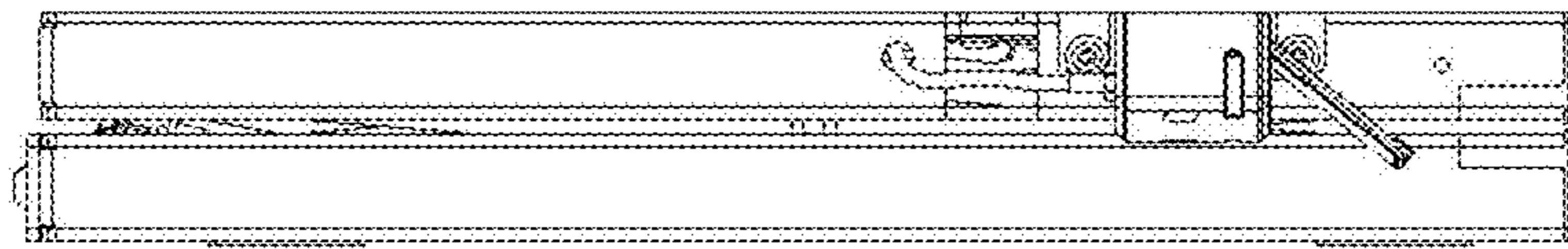


FIG. 12

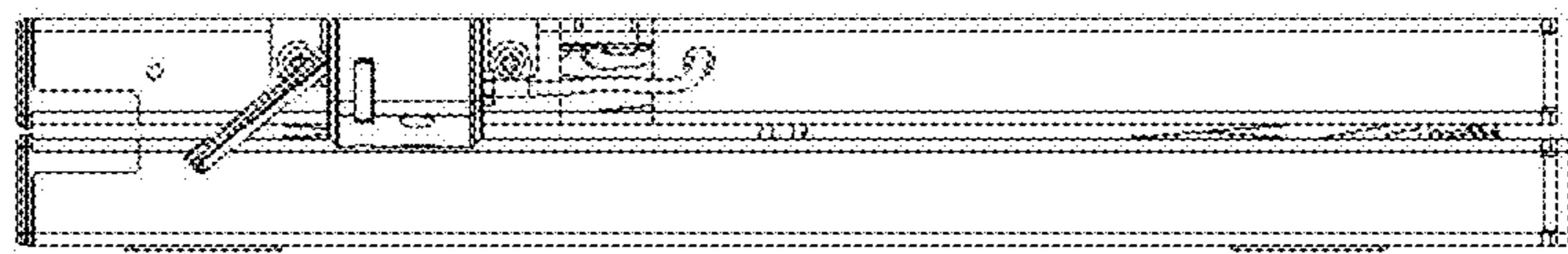


FIG. 13

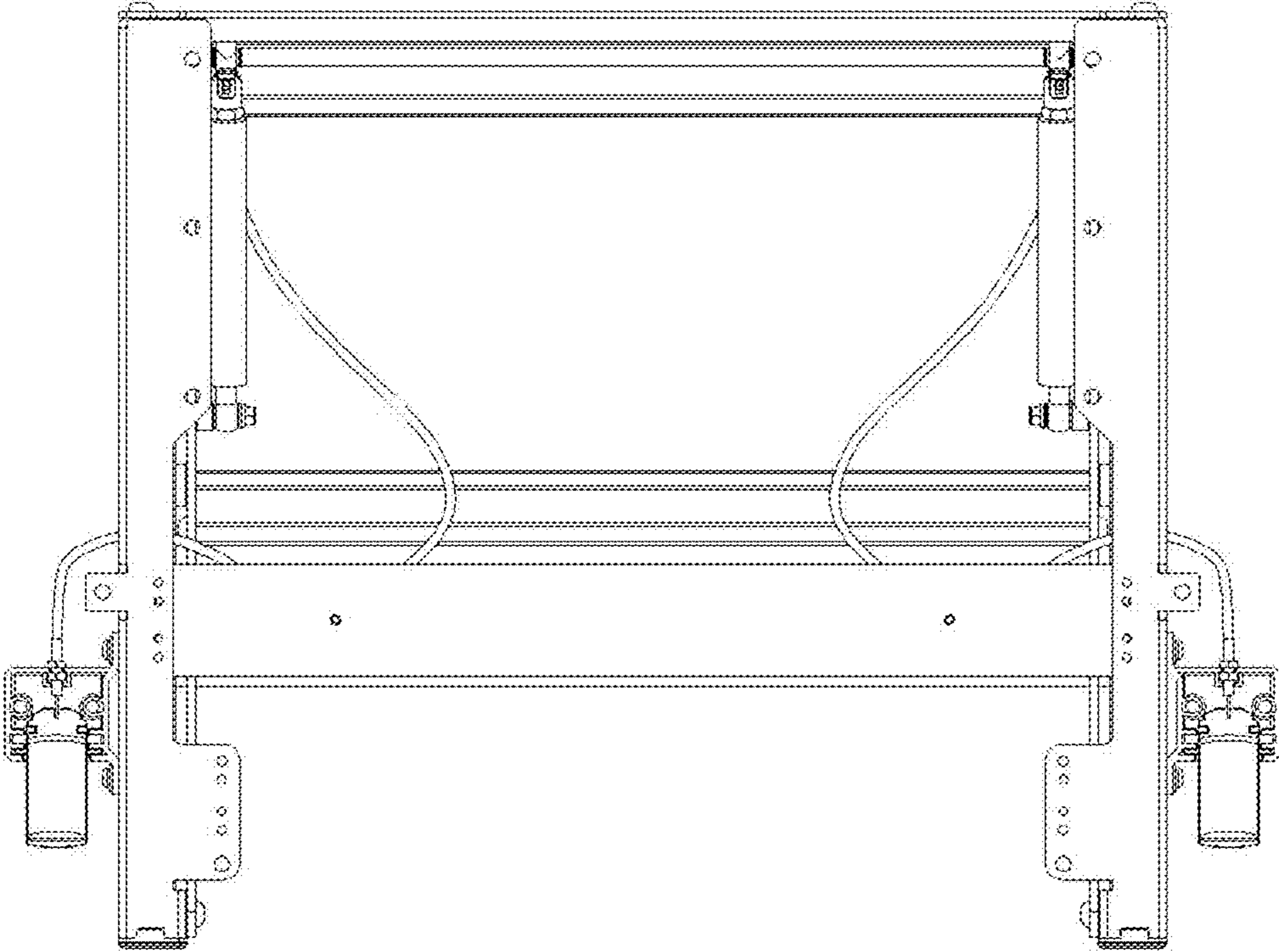


FIG. 14

