

US00D854774S

(12) **United States Design Patent**
Liao

(10) **Patent No.: US D854,774 S**

(45) **Date of Patent: ** Jul. 23, 2019**

(54) **PORTION OF A TIRE CART**

D549,920 S *	8/2007	Dukes	D34/23
7,290,782 B2 *	11/2007	Brown	B60D 1/58
			280/476.1
8,256,778 B1 *	9/2012	Morad	A47L 13/58
			280/47.35
D717,377 S *	11/2014	Orenstein	D21/419
9,610,963 B2 *	4/2017	Jensen	B62B 3/10
2013/0001916 A1 *	1/2013	Orenstein	A63C 17/0026
			280/200
2016/0325772 A1 *	11/2016	Jensen	B62B 3/10

(71) Applicant: **LIH YANN INDUSTRIAL CO., LTD.,**
Taichung (TW)

(72) Inventor: **Po-Lin Liao,** Taichung (TW)

(73) Assignee: **LIH YANN INDUSTRIAL CO., LTD.,**
Taichung (TW)

(**) Term: **15 Years**

* cited by examiner

(21) Appl. No.: **29/611,200**

Primary Examiner — Cynthia Ramirez

(22) Filed: **Jul. 19, 2017**

Assistant Examiner — Gino Colan

(51) **LOC (11) Cl.** **12-02**

(74) *Attorney, Agent, or Firm* — Muncy, Geissler, Olds &
Lowe, P.C.

(52) **U.S. Cl.**
USPC **D34/23**

(57) **CLAIM**

I claim the ornamental design for a portion of a tire cart, as
shown and described.

(58) **Field of Classification Search**
USPC D34/12-18, 20-24, 26, 27; 280/47.35,
280/651, 79.3, 47.26, 47.34, 33.997,
280/47.19, 200, 33.998, 79.4, 87.041,
280/79.11, 87.021, 79.5; D21/419
CPC B62B 3/02; B62B 3/04; B62B 3/10; B60B
29/002; B60B 30/10; B25H 5/00
See application file for complete search history.

DESCRIPTION

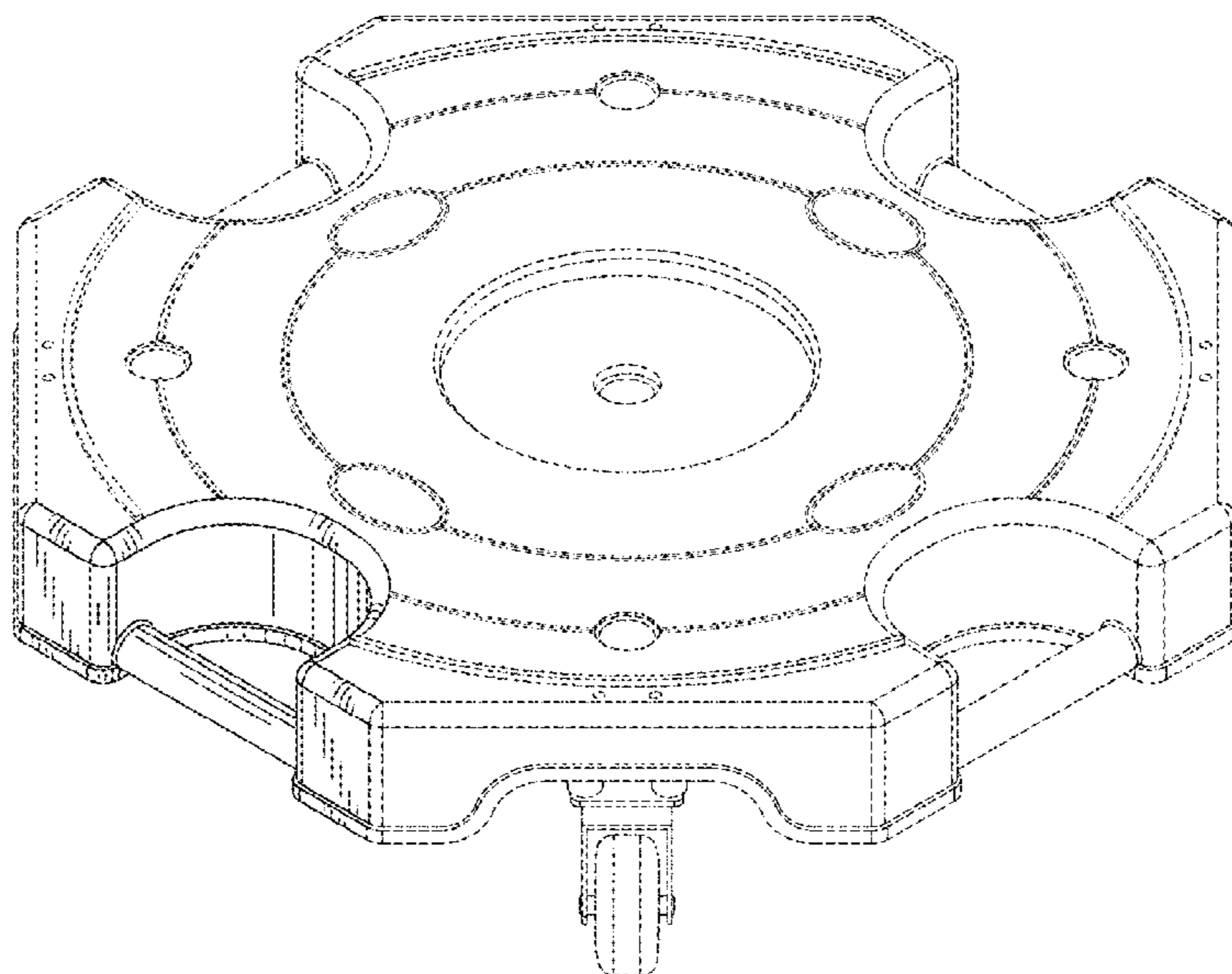
(56) **References Cited**

U.S. PATENT DOCUMENTS

D378,154 S *	2/1997	Presnell	D34/10
6,561,530 B2 *	5/2003	Carbonero	A63C 17/0033
			280/79.11
D513,353 S *	12/2005	Pederson	D34/28
7,140,622 B1 *	11/2006	Cantu	B62B 3/001
			280/79.11

FIG. 1 is a front, right, and top perspective view of a portion
of a tire cart showing my new design;
FIG. 2 is a front elevational view thereof;
FIG. 3 is a rear elevational view thereof;
FIG. 4 is a left side view thereof;
FIG. 5 is a right side view thereof;
FIG. 6 is a top plan view thereof;
FIG. 7 is a bottom plan view thereof; and,
FIG. 8 is a right, front, and bottom perspective view.
The broken lines in the drawings illustrate portions of the
portion of a tire cart which form no part of the claimed
design.

1 Claim, 6 Drawing Sheets



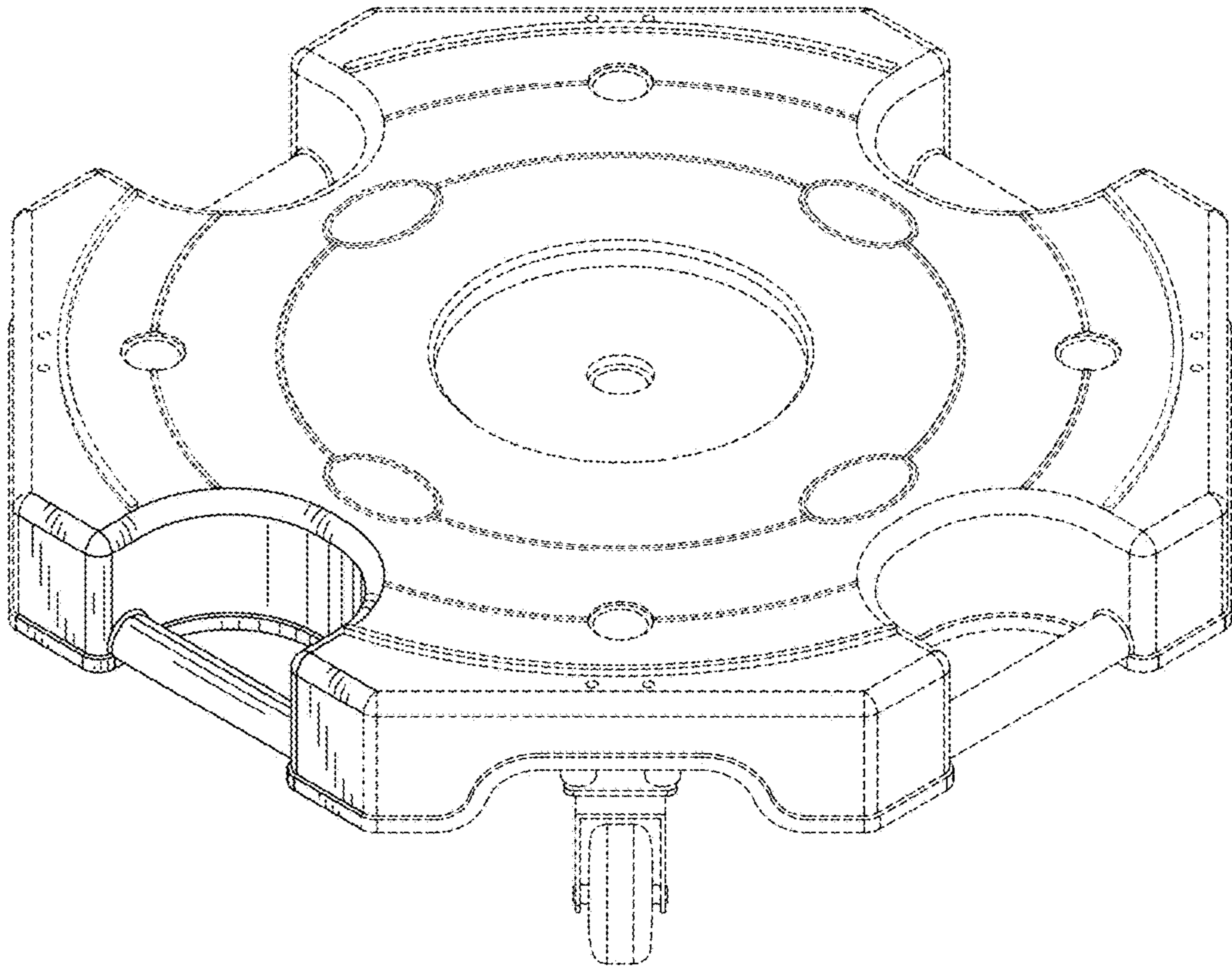


FIG. 1

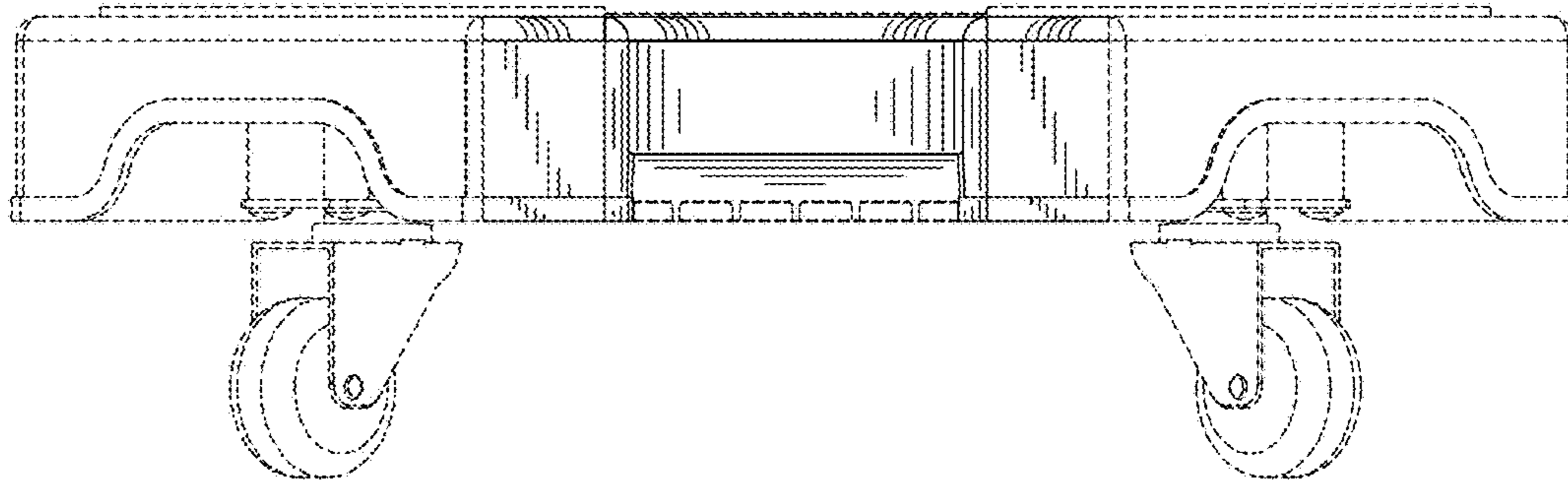


FIG. 2

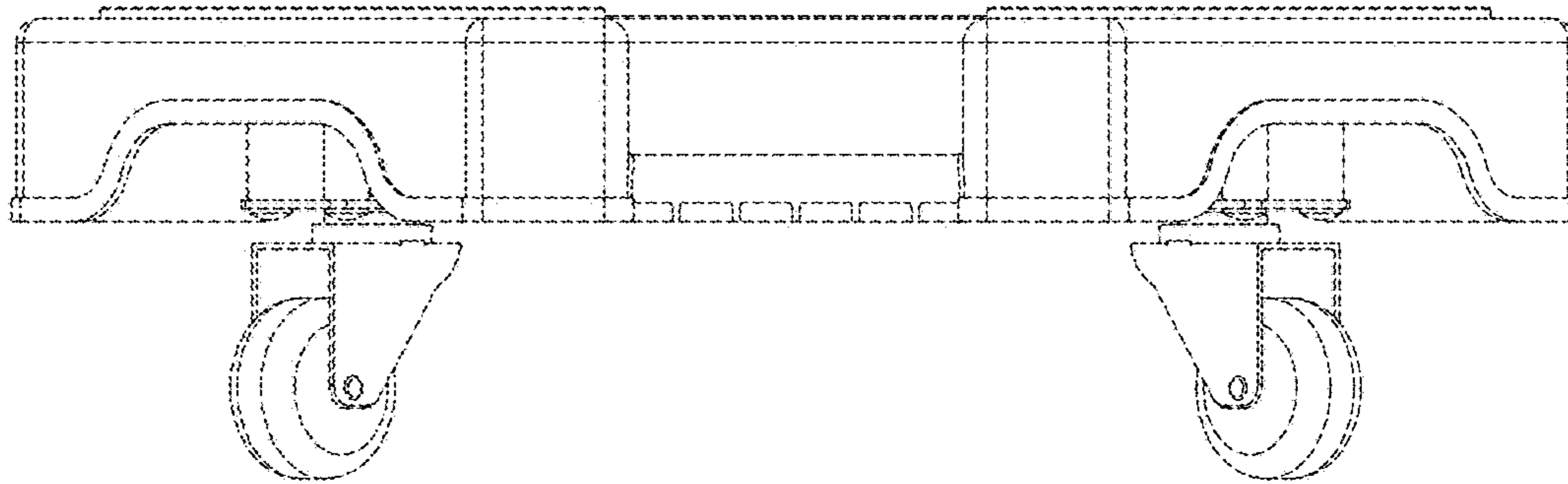


FIG. 3

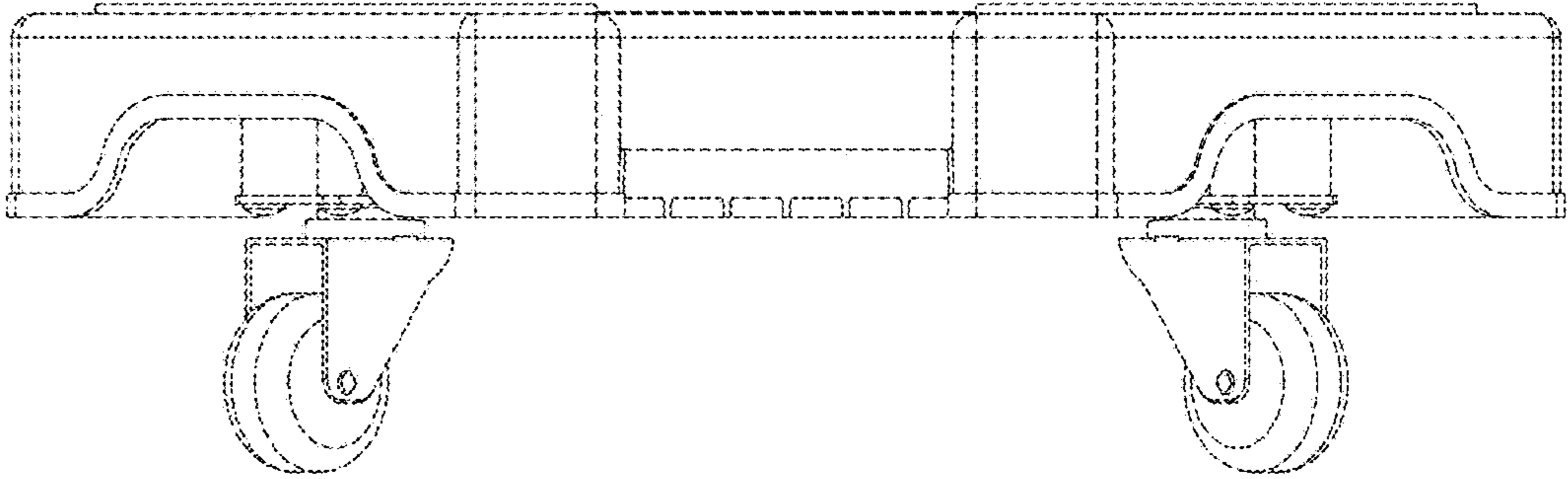


FIG. 4

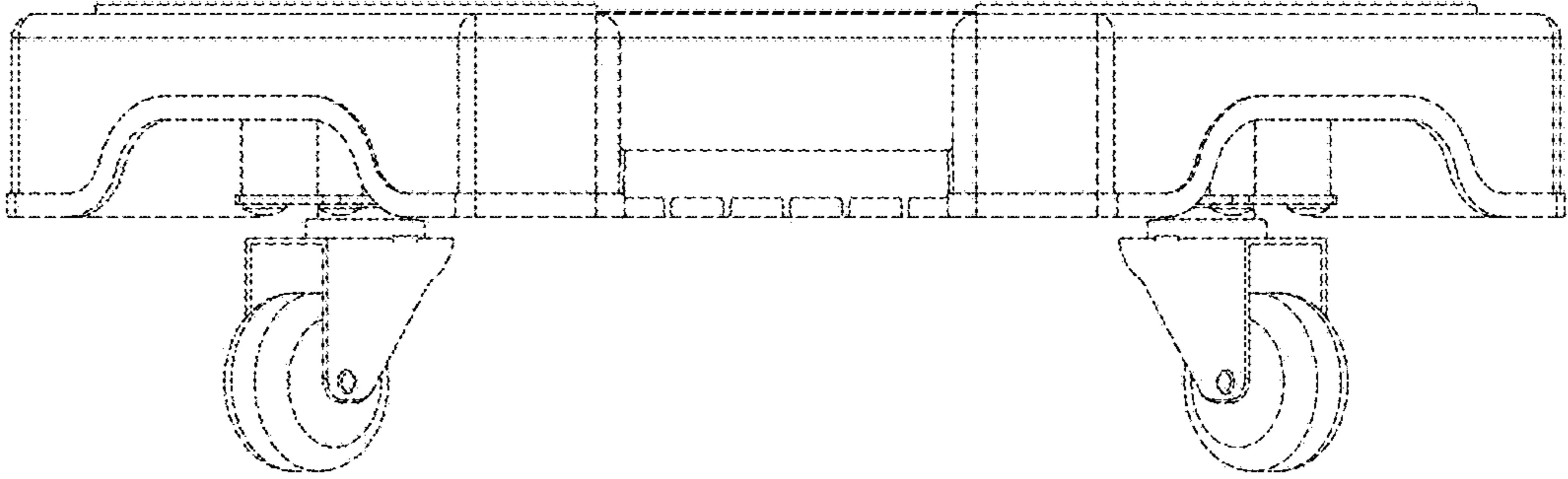


FIG. 5

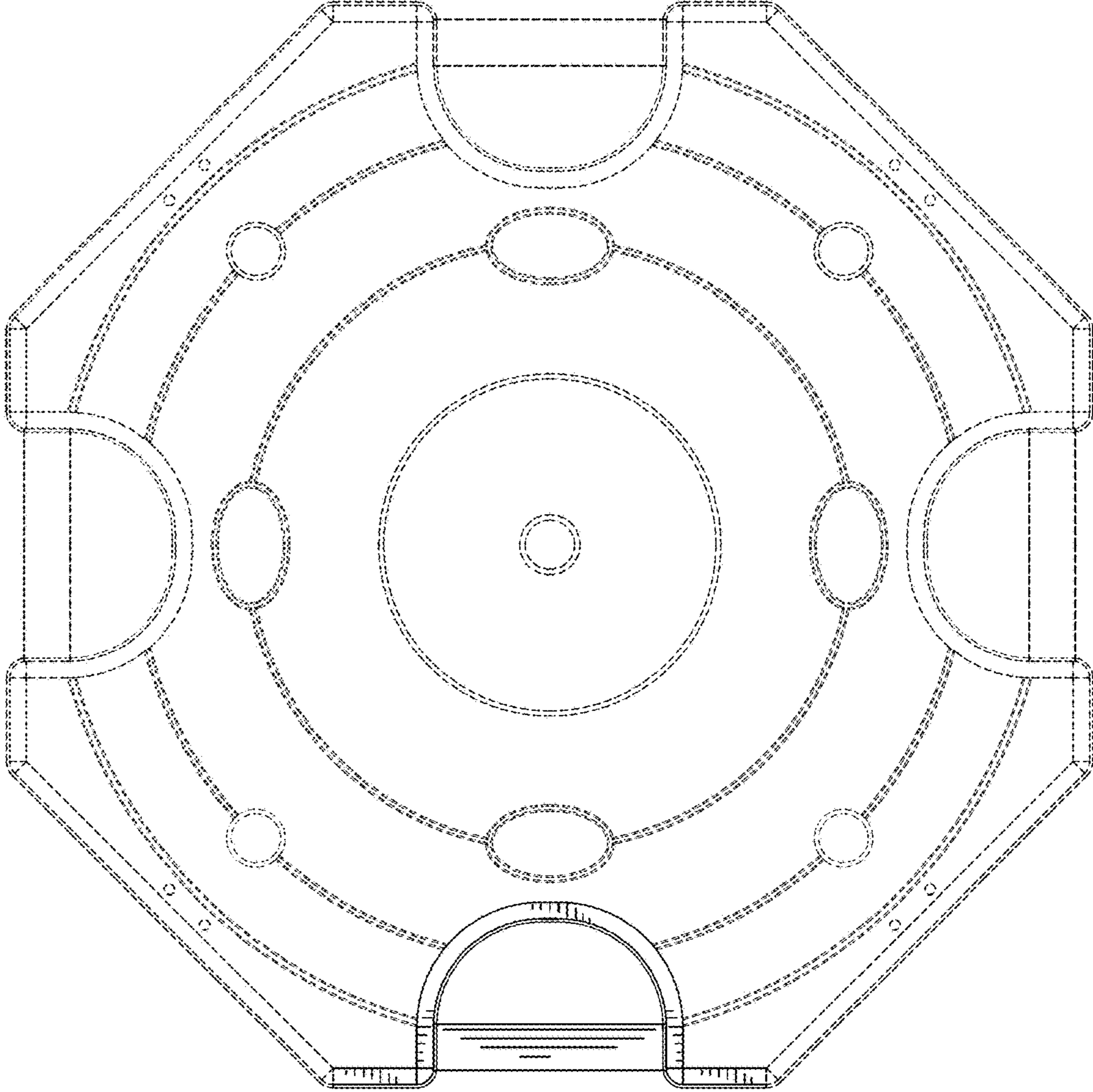


FIG. 6

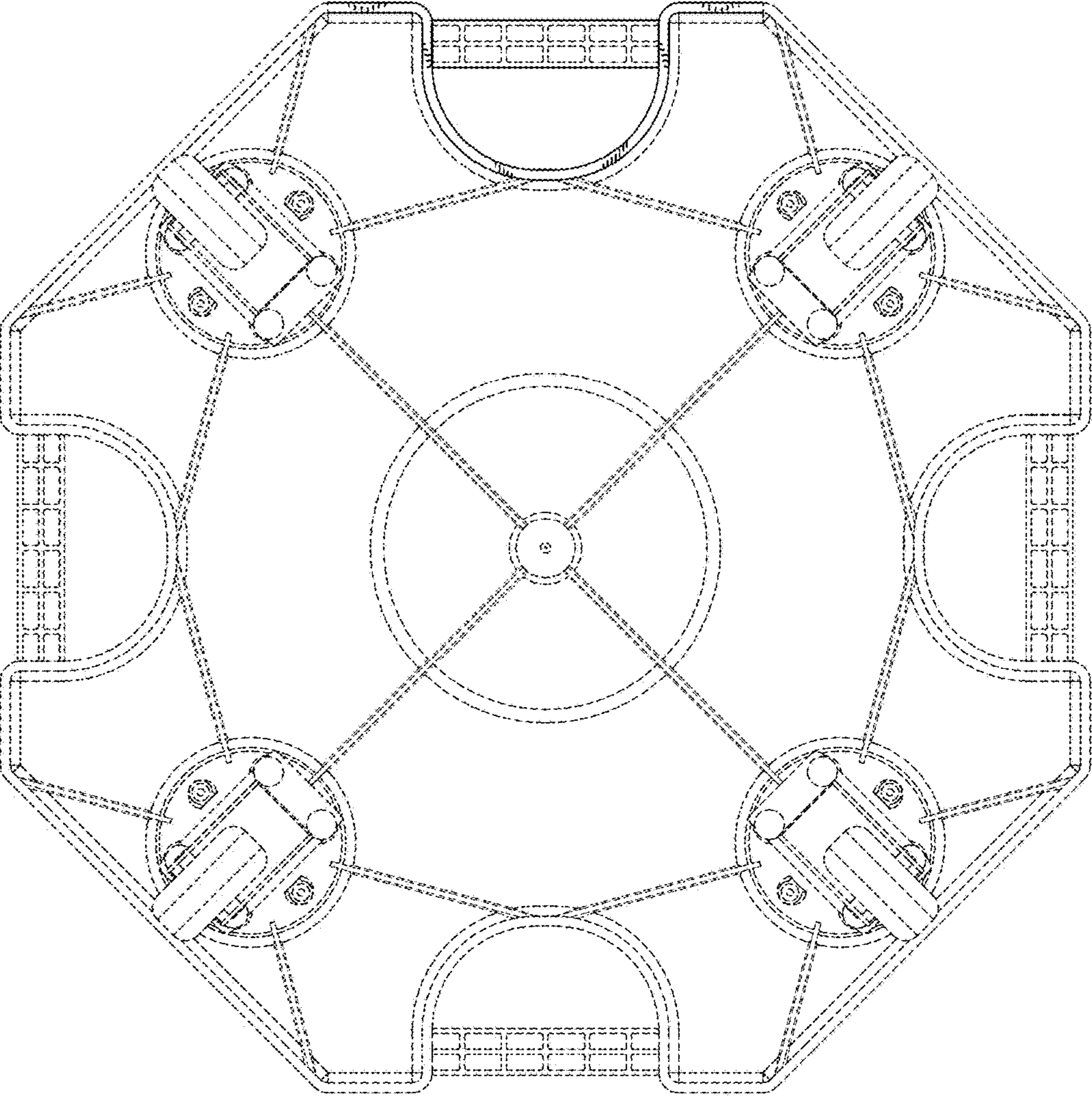


FIG. 7

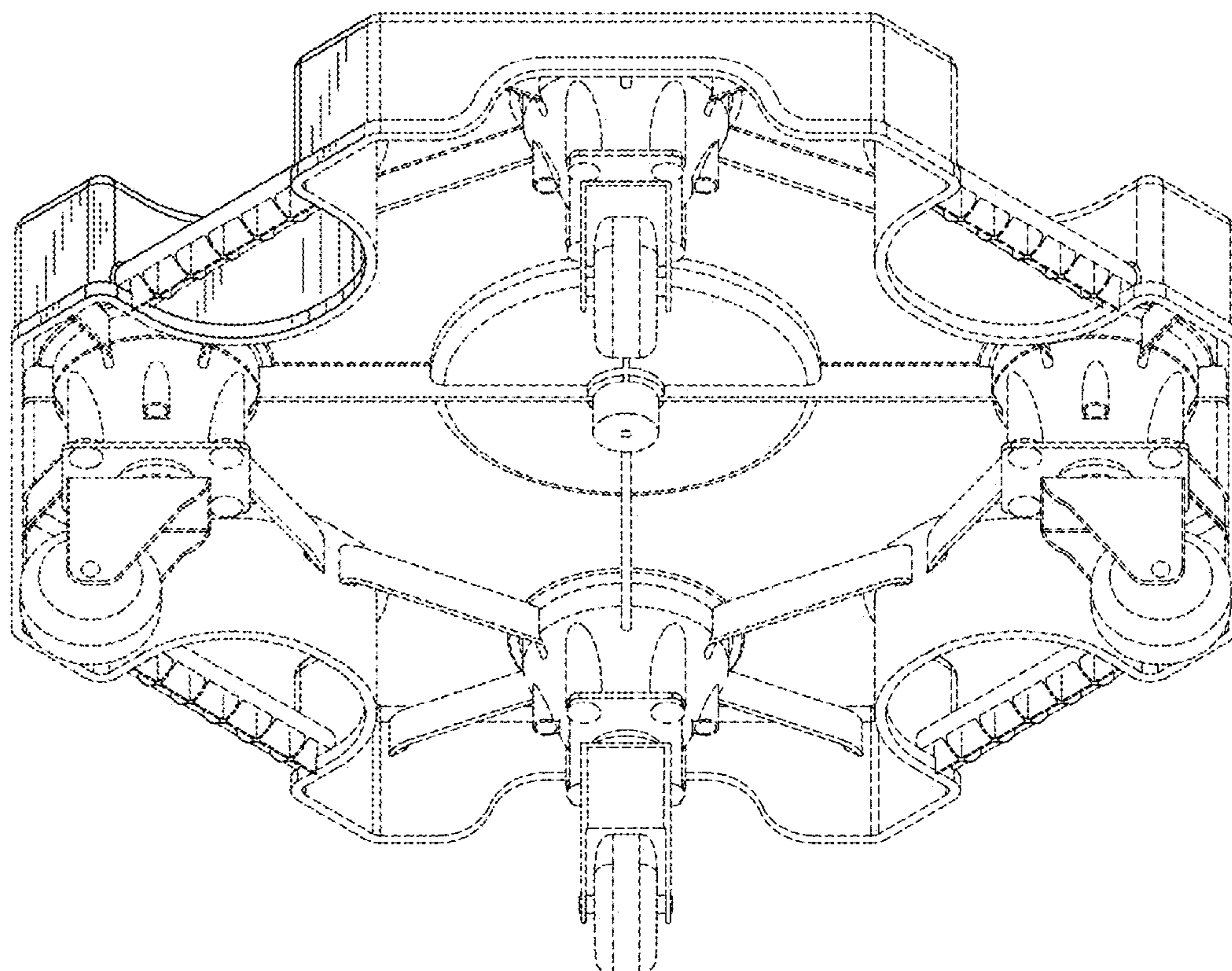


FIG. 8