



US00D854773S

(12) **United States Design Patent**
Hillesheim

(10) **Patent No.:** **US D854,773 S**

(45) **Date of Patent:** **** Jul. 23, 2019**

(54) **GOLF TROLLEY**

(71) Applicant: **Björn Hillesheim**, Haibach (DE)

(72) Inventor: **Björn Hillesheim**, Haibach (DE)

(**) Term: **15 Years**

(21) Appl. No.: **35/504,306**

(22) Filed: **Dec. 21, 2017**

(80) **Hague Agreement Data**

Int. Filing Date: **Dec. 21, 2017**

Int. Reg. No.: **DM/099135**

Int. Reg. Date: **Dec. 21, 2017**

Int. Reg. Pub. Date: **Jan. 12, 2018**

(51) **LOC (11) Cl.** **12-02**

(52) **U.S. Cl.**
USPC **D34/15**

(58) **Field of Classification Search**

USPC D34/12, 13, 14, 15, 17, 18, 20, 21, 22,
D34/23, 24, 25, 26, 27

CPC B62B 2202/404; B62B 3/02; B62B 3/12;
B62B 2205/12; B62B 3/102; B62B
5/0447; B62B 1/12; B62B 5/0438; B62B
9/08

See application file for complete search history.

(56) **References Cited**

U.S. PATENT DOCUMENTS

- D520,706 S * 5/2006 Brekke D34/15
- D574,571 S * 8/2008 Liao D34/15
- D583,522 S * 12/2008 Gong D34/15
- D586,522 S * 2/2009 Liao D34/15

- D632,040 S * 2/2011 Liao D34/15
- D632,449 S * 2/2011 Liao D34/15
- D634,091 S * 3/2011 Liao D34/15
- D638,600 S * 5/2011 Wu D34/15
- D638,601 S * 5/2011 Lin D34/15
- D646,038 S * 9/2011 Brundl D34/15
- D648,913 S * 11/2011 Fung D34/15
- D664,732 S * 7/2012 Liao D34/15
- D703,411 S * 4/2014 Lin D34/15
- D794,896 S * 8/2017 Liao D34/15
- D812,333 S * 3/2018 Gong D34/15
- D812,837 S * 3/2018 Herrick D34/15
- D820,548 S * 6/2018 Lee D34/15

* cited by examiner

Primary Examiner — Khawaja Anwar

(57) **CLAIM**

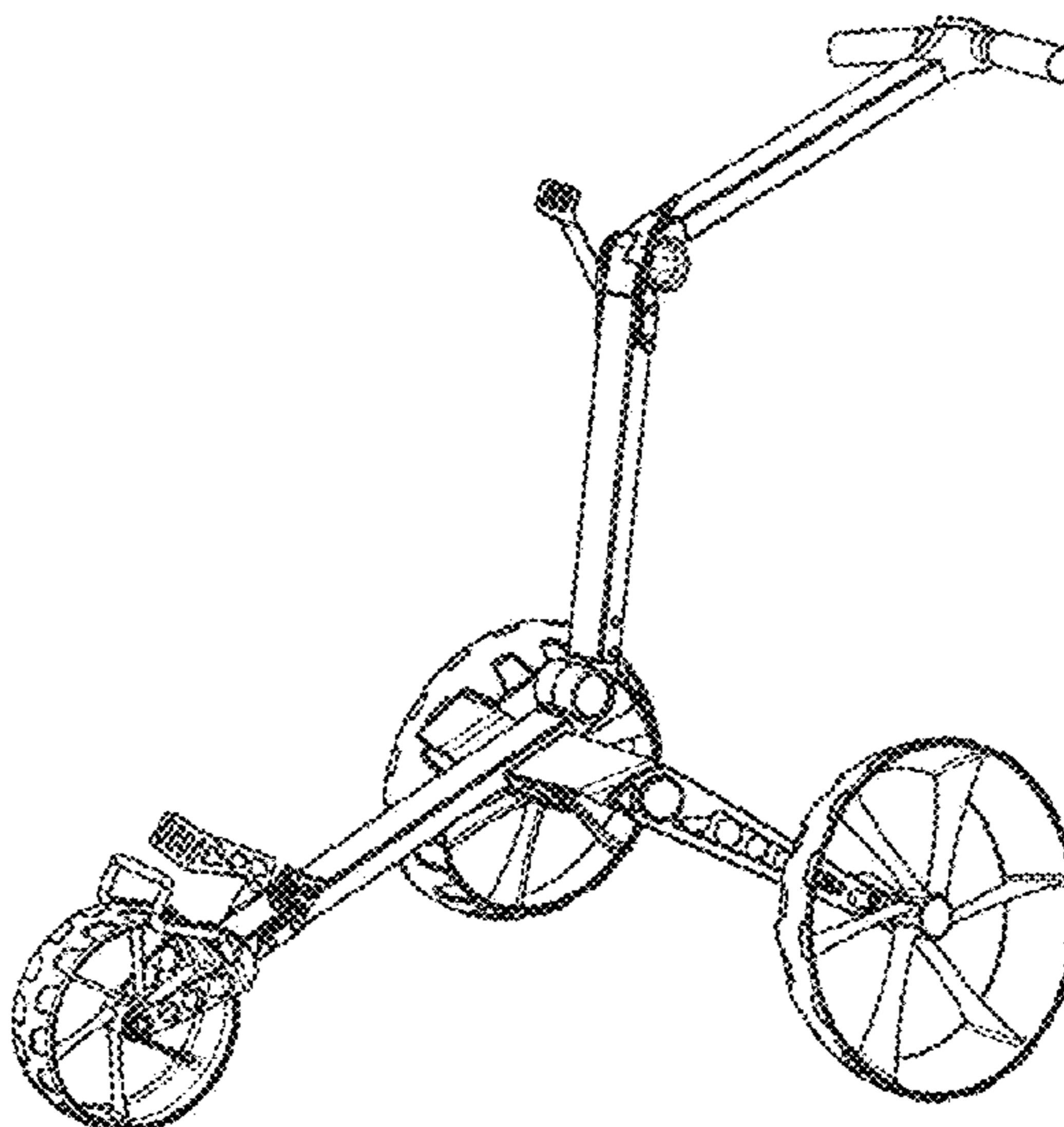
The ornamental design for a golf trolley, as shown and described.

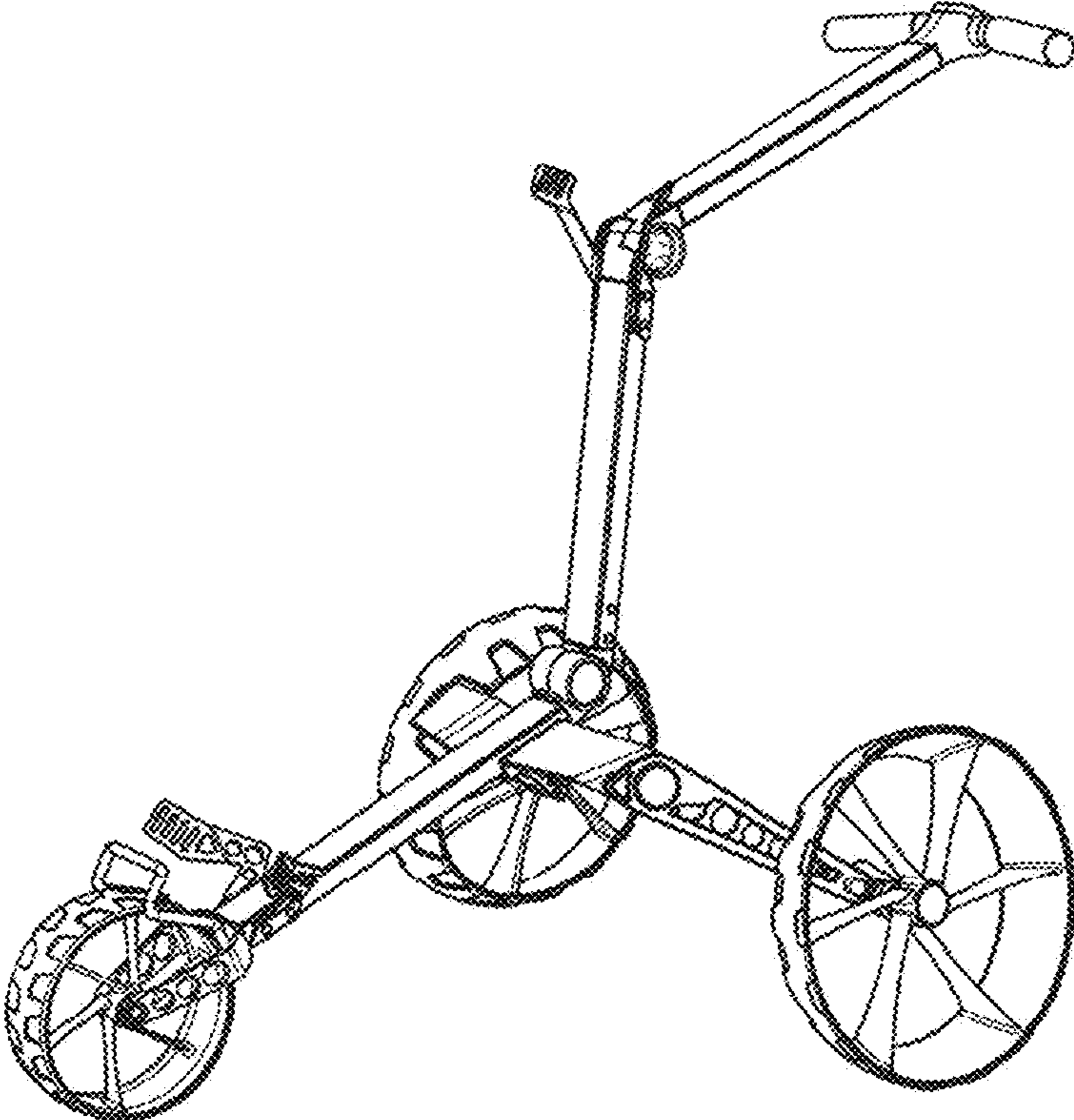
DESCRIPTION

- 1. Golf trolley
- 1.1 : Perspective
- 1.2 : Sideview
- 1.3 : Front
- 1.4 : Top
- 1.5 : Front
- 1.6 : Sideview
- 1.7 : Top

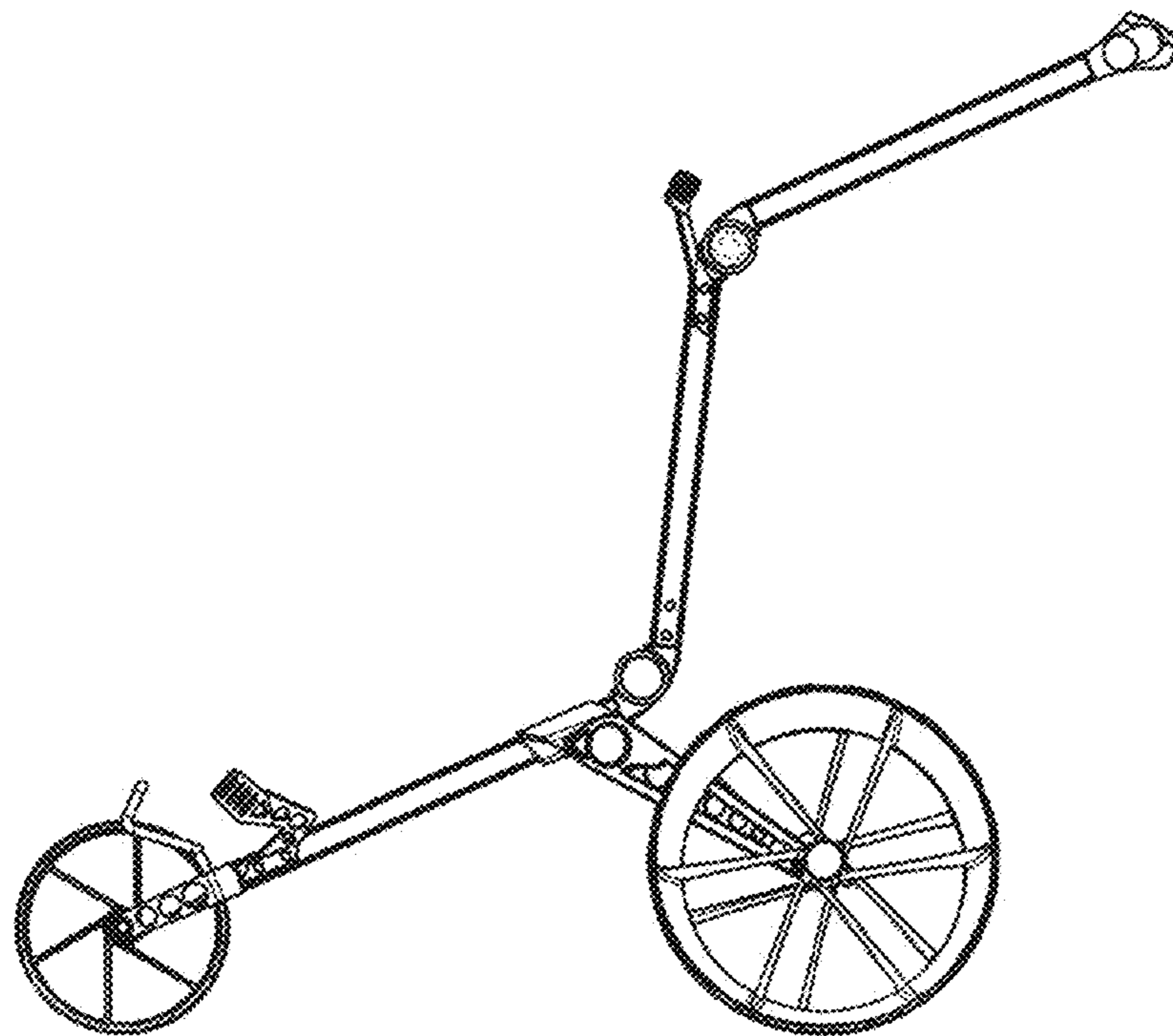
Fig. 1.1 perspective view of a golf trolley; fig. 1.2 sideview thereof; fig. 1.3 front view thereof; fig. 1.4 top view thereof; fig. 1.5 front view thereof with folded frame without rear wheels; fig. 1.6 sideview thereof with folded frame without rear wheels, and fig. 1.7 top view thereof with folded frame without rear wheels.

1 Claim, 7 Drawing Sheets

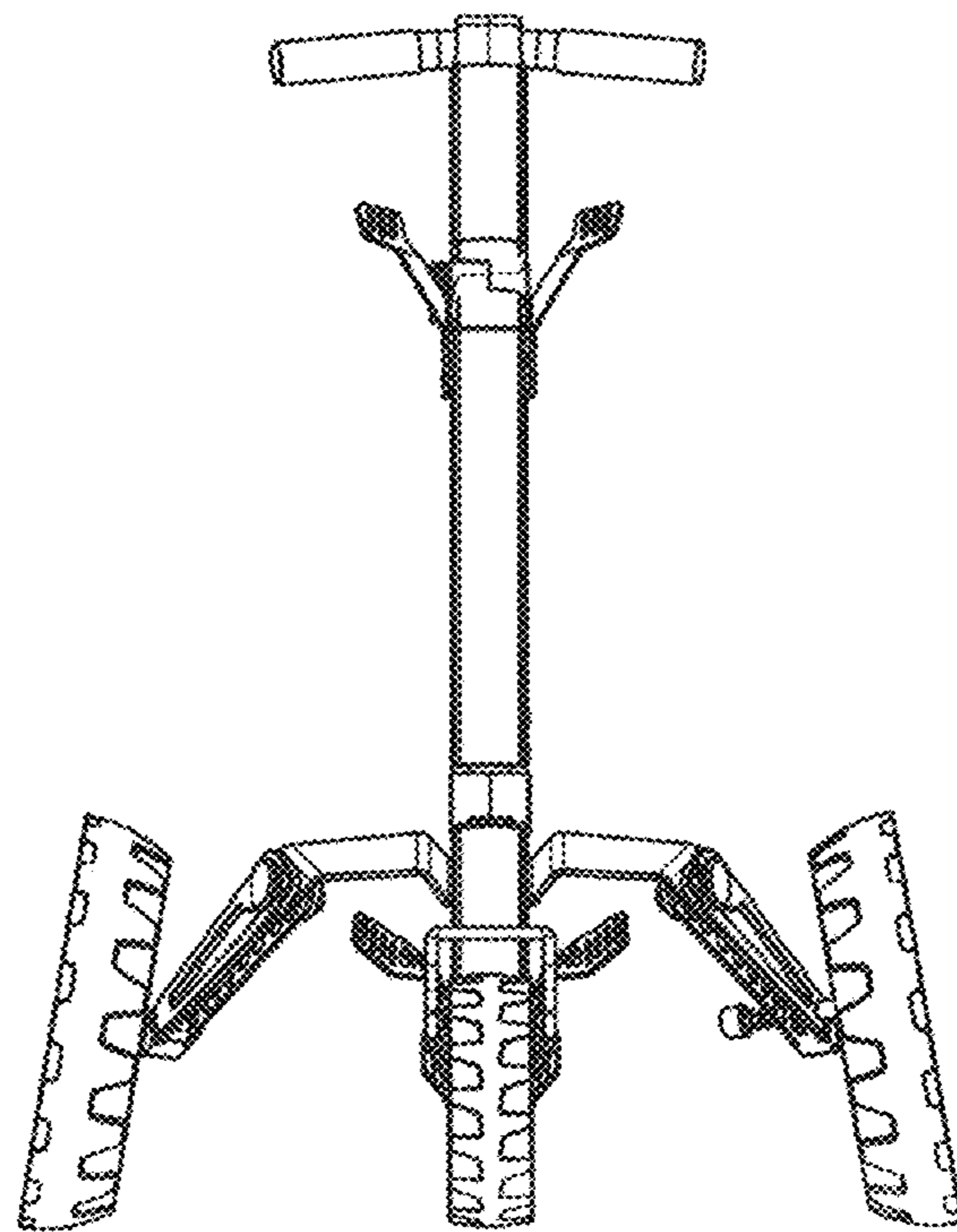




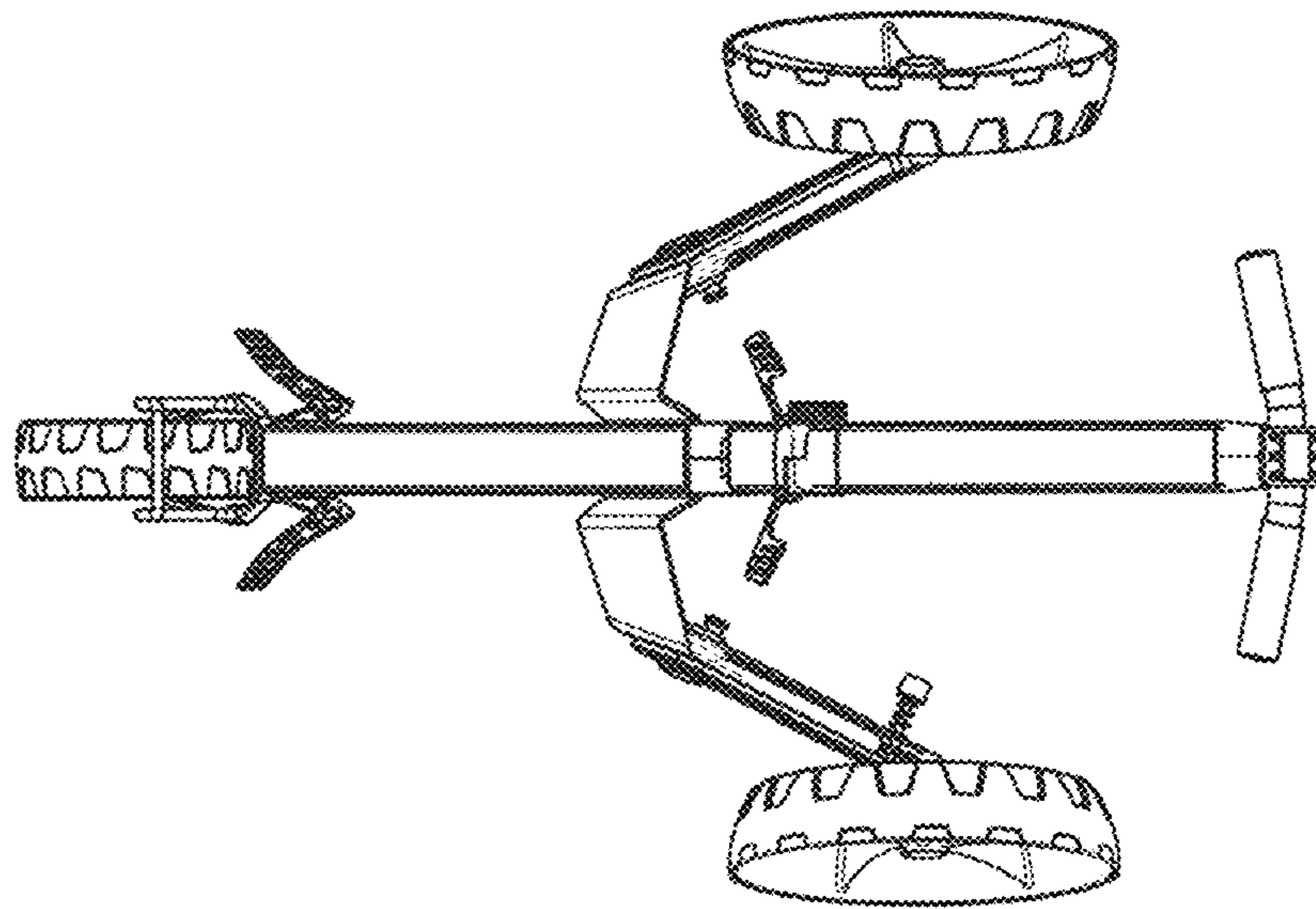
1.1



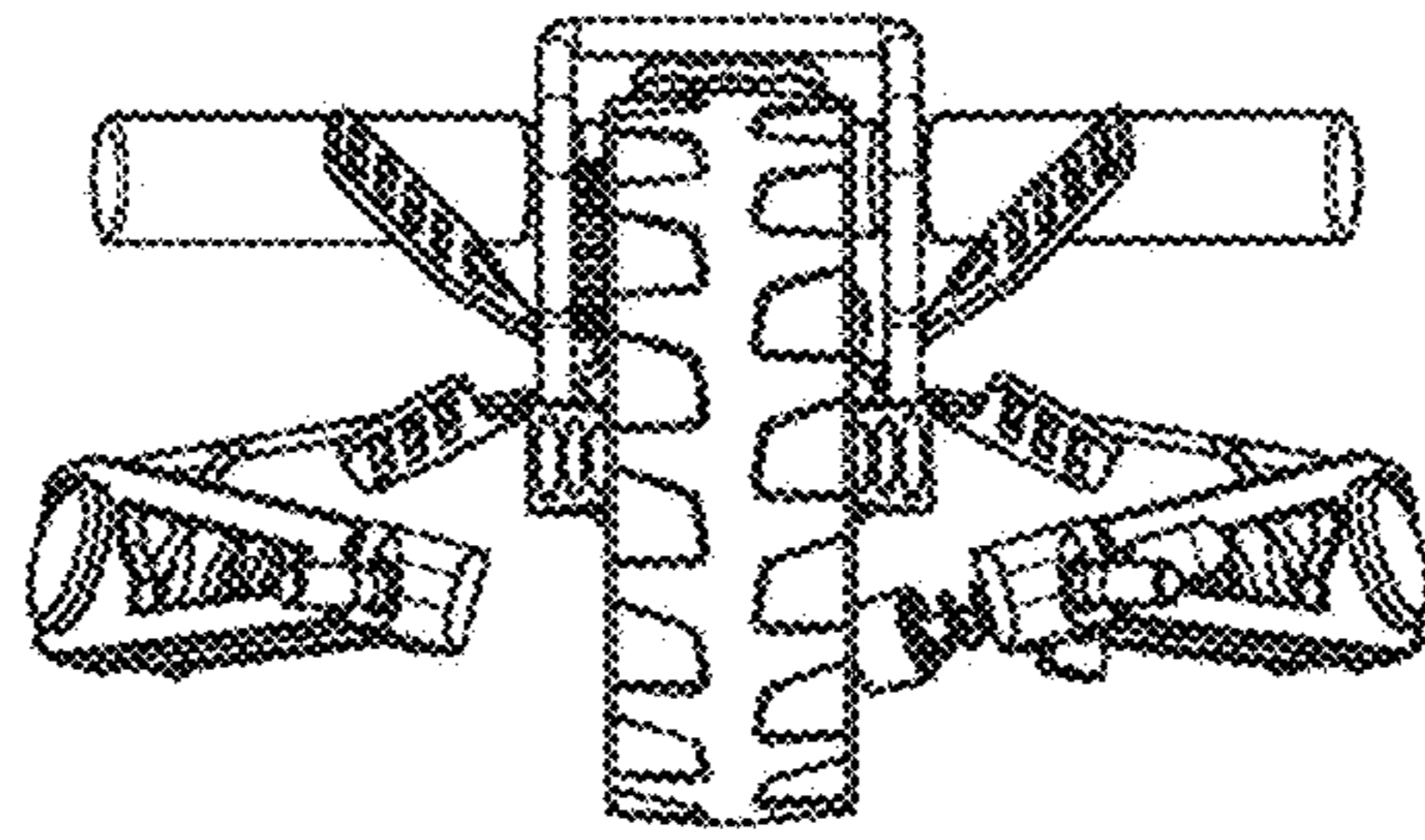
1.2



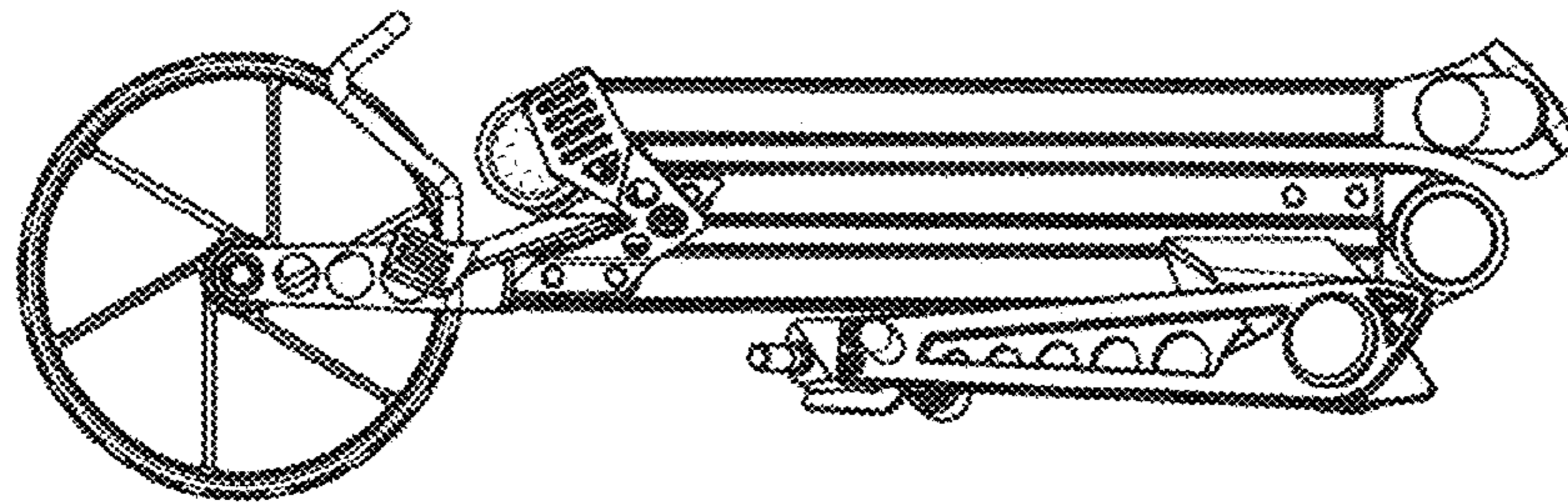
1.3



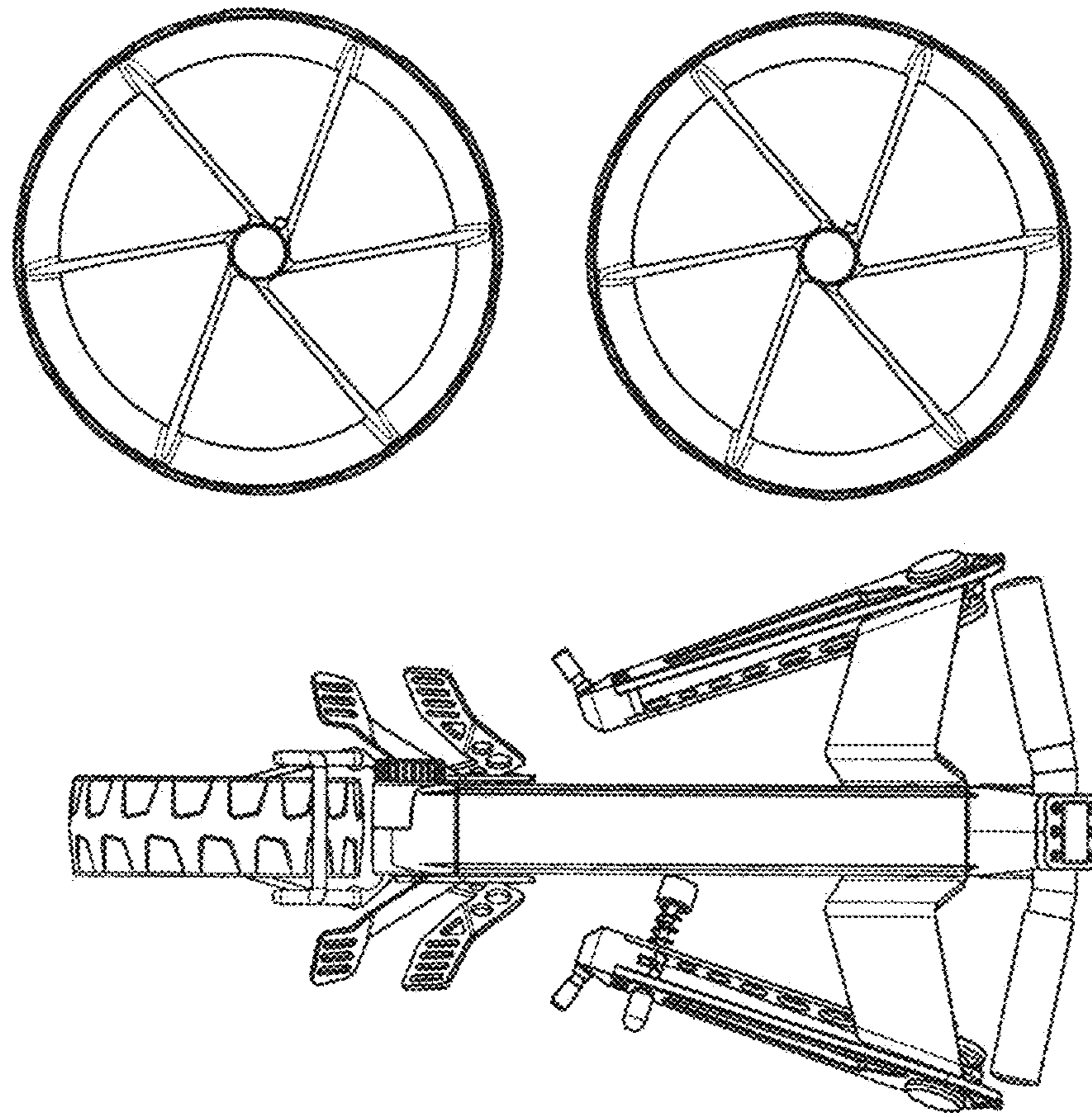
1.4



1.5



1.6



1.7