



US00D854771S

(12) **United States Design Patent**  
**Wang**

(10) **Patent No.:** **US D854,771 S**  
(45) **Date of Patent:** **\*\* Jul. 23, 2019**

- (54) **STEP TRASH CAN**
- (71) Applicant: **Wei-Cheng Wang**, Taipei (TW)
- (72) Inventor: **Wei-Cheng Wang**, Taipei (TW)
- (\*\*) Term: **15 Years**
- (21) Appl. No.: **29/624,197**
- (22) Filed: **Oct. 31, 2017**
- (51) **LOC (11) Cl.** ..... **09-09**
- (52) **U.S. Cl.**  
USPC ..... **D34/9**
- (58) **Field of Classification Search**  
USPC ..... D34/1, 7, 9, 10, 11  
CPC ..... B65F 1/141; B65F 1/1468; B65F 1/0066;  
B65F 1/0093; B65F 1/062; B65F 1/068;  
B65F 1/1615; B65B 67/12; B65B  
67/1238; B65B 67/04  
See application file for complete search history.

(56) **References Cited**

**U.S. PATENT DOCUMENTS**

|           |      |         |                |       |                        |
|-----------|------|---------|----------------|-------|------------------------|
| 1,131,774 | A *  | 3/1915  | Davis          | ..... | B65F 1/163<br>220/263  |
| 1,214,502 | A *  | 2/1917  | Becker         | ..... | B65F 1/141<br>211/84   |
| 2,475,125 | A *  | 7/1949  | Brownell       | ..... | B65F 1/163<br>220/263  |
| 3,063,591 | A *  | 11/1962 | Laginestra     | ..... | B65F 1/068<br>100/218  |
| 3,347,507 | A *  | 10/1967 | Dyer           | ..... | B65F 1/141<br>211/83   |
| 5,195,501 | A *  | 3/1993  | Ault           | ..... | F23G 5/42<br>110/241   |
| 5,860,659 | A *  | 1/1999  | Hart           | ..... | B60D 1/00<br>280/400   |
| D711,612  | S *  | 8/2014  | Bjerre-Poulsen | ..... | D34/9                  |
| 8,857,772 | B1 * | 10/2014 | Weldon         | ..... | B65B 67/1238<br>248/95 |
| D799,137  | S *  | 10/2017 | Bowen          | ..... | D34/7                  |

|              |      |         |               |       |                         |
|--------------|------|---------|---------------|-------|-------------------------|
| D803,504     | S *  | 11/2017 | Peterson      | ..... | D34/7                   |
| D804,759     | S *  | 12/2017 | Slaughenhaupt | ..... | D34/1                   |
| 2008/0023480 | A1 * | 1/2008  | Fisher        | ..... | B65F 1/06<br>220/495.06 |
| 2009/0290963 | A1 * | 11/2009 | Hopkins       | ..... | B65F 1/12<br>414/406    |

\* cited by examiner

*Primary Examiner* — Cynthia Ramirez

(74) *Attorney, Agent, or Firm* — Leong C. Lei

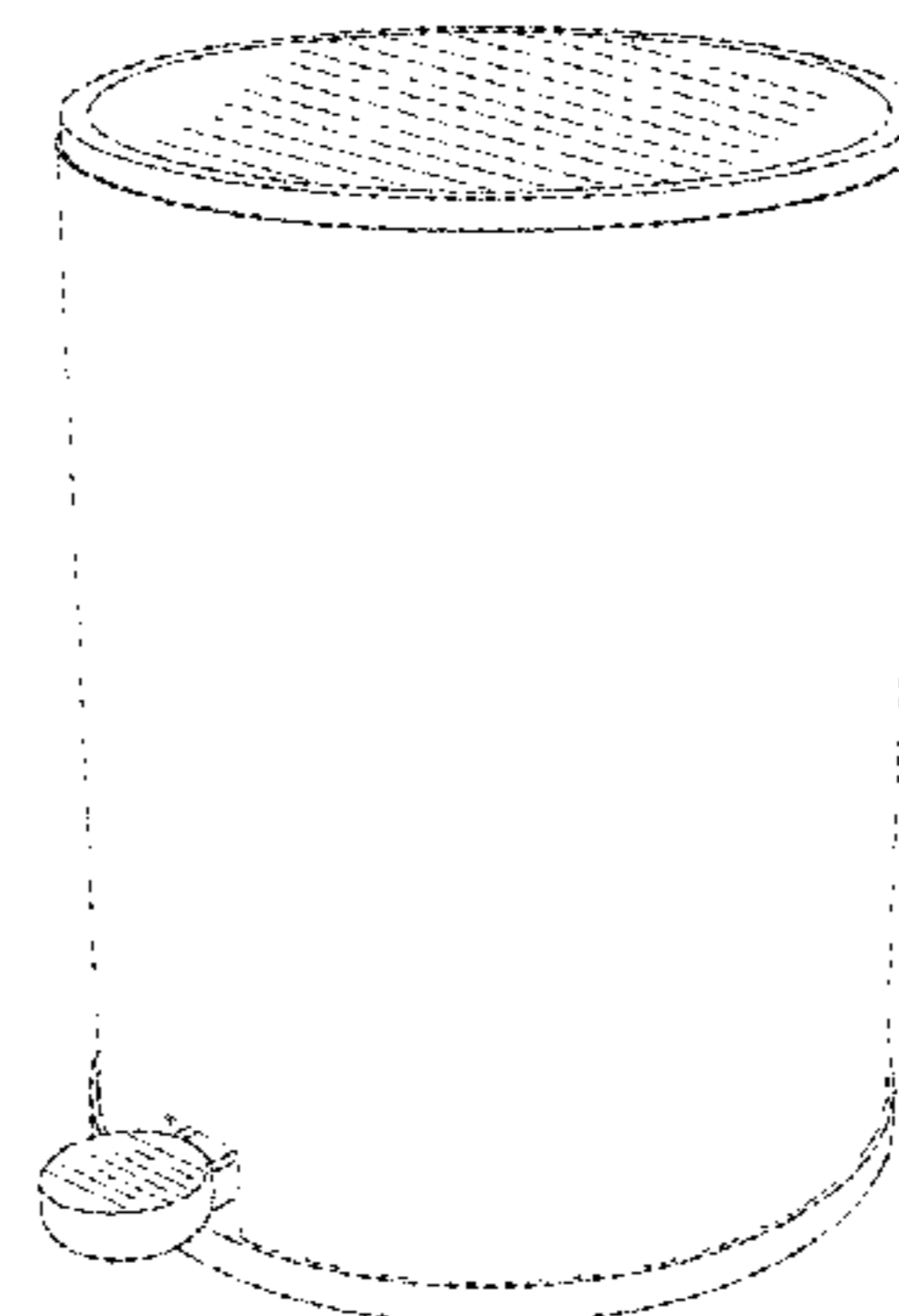
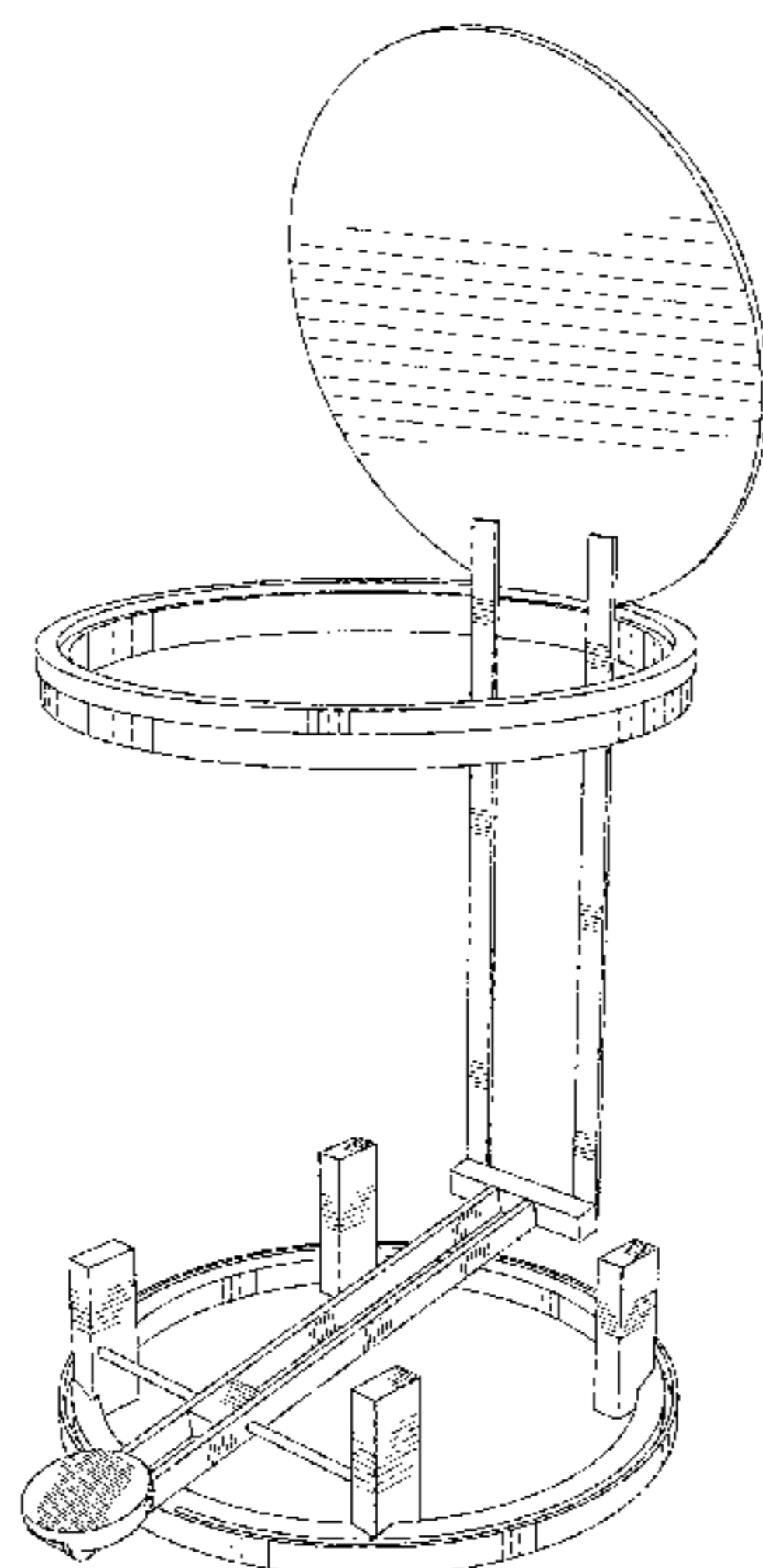
(57) **CLAIM**

The ornamental design for a step trash can, as shown and described.

**DESCRIPTION**

FIG. 1 is a perspective view of a step trash can showing my new design;  
 FIG. 2 is a front elevational view thereof;  
 FIG. 3 is a rear elevational view thereof;  
 FIG. 4 is a left side perspective view thereof;  
 FIG. 5 is a right side perspective view thereof;  
 FIG. 6 is a top plan view thereof;  
 FIG. 7 is a bottom plan view thereof;  
 FIG. 8 is another perspective view thereof, with the lid closed;  
 FIG. 9 is a rear perspective view thereof;  
 FIG. 10 is another front perspective view thereof;  
 FIG. 11 is another perspective view with the lid closed;  
 FIG. 12 is another perspective view with the lid half-open; and,  
 FIG. 13 is another perspective view with the lid open.  
 The broken lines shown in the Figures are for the purpose of illustrating environment and form no part of the claimed design.

**1 Claim, 13 Drawing Sheets**



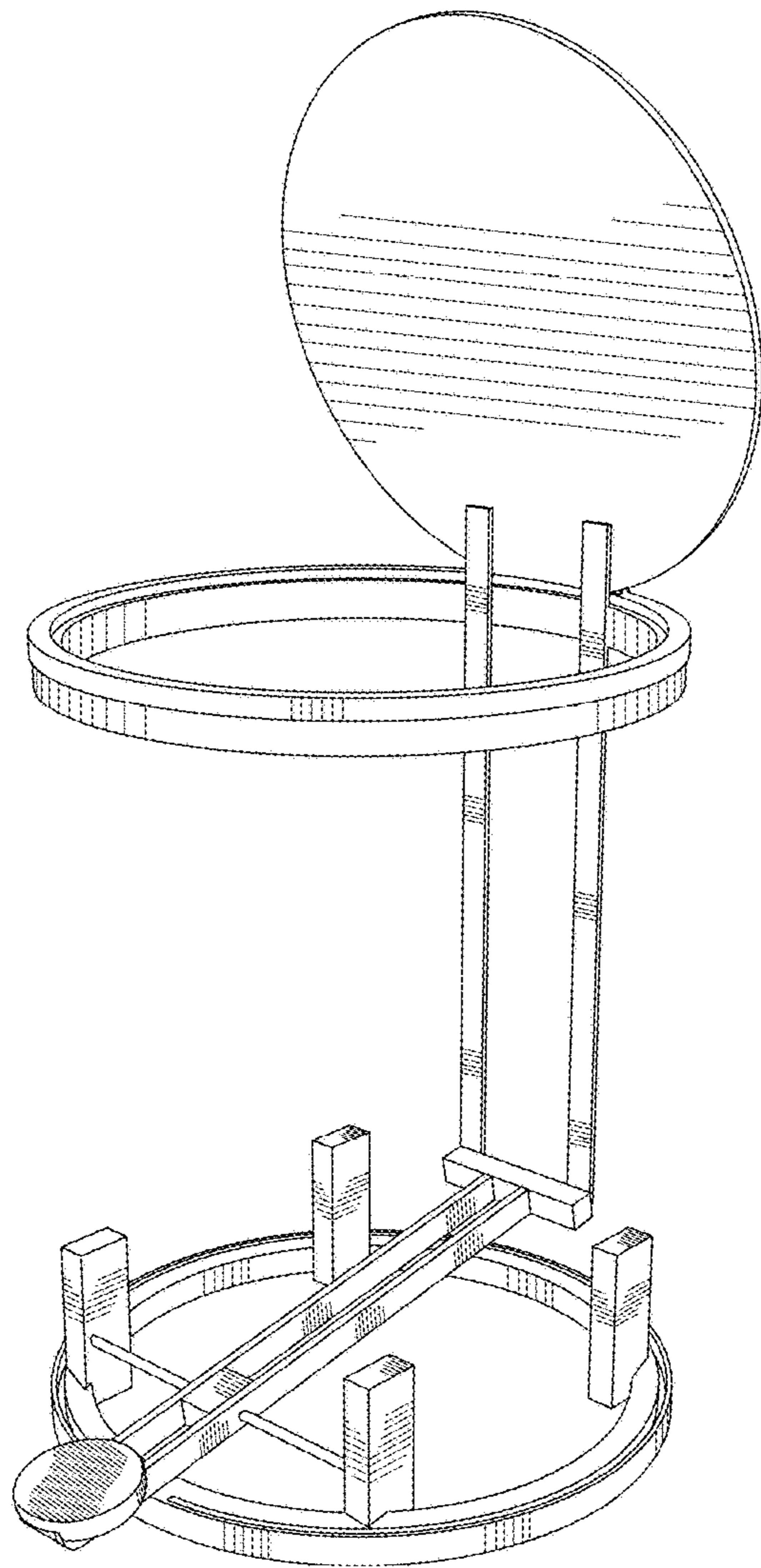


FIG. 1

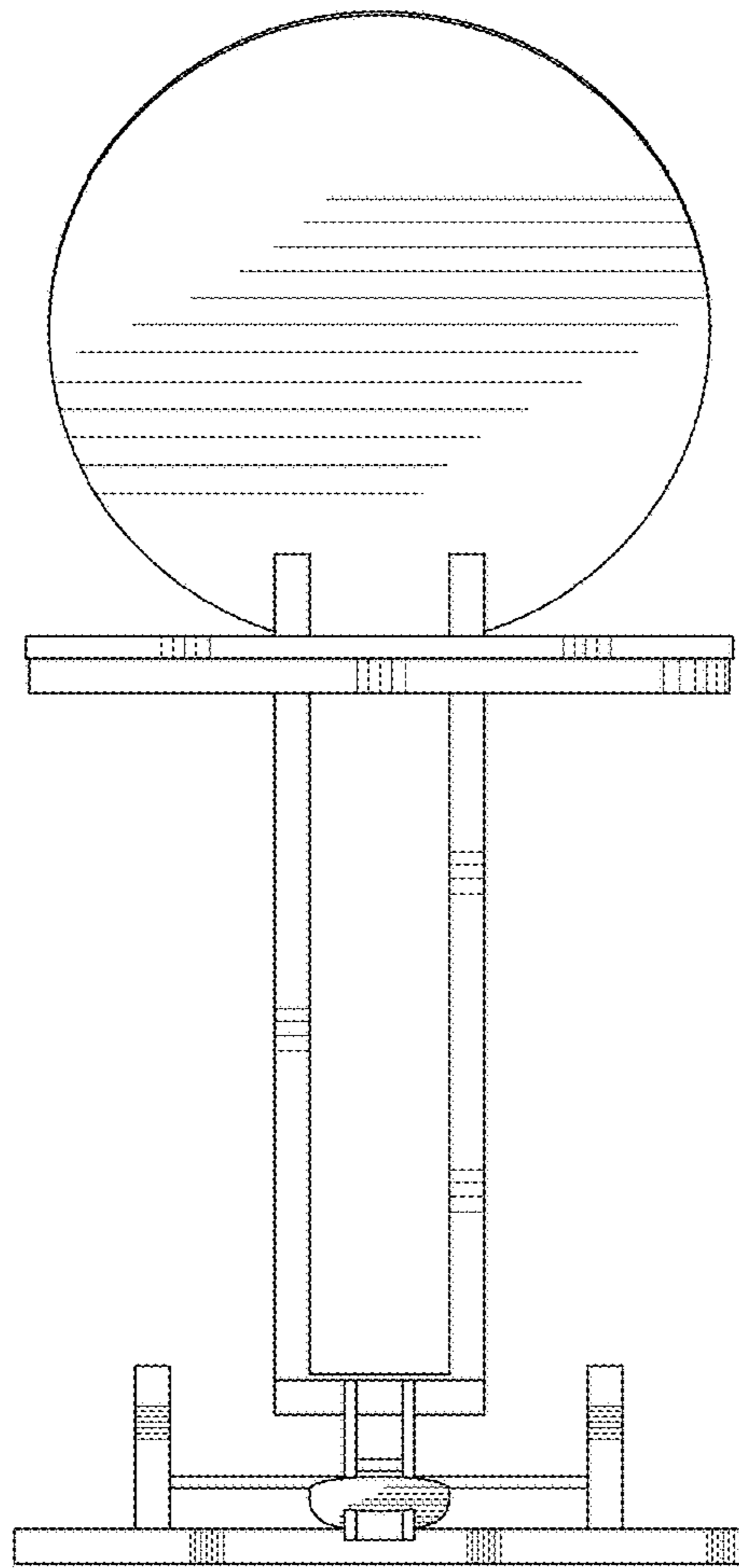


FIG. 2

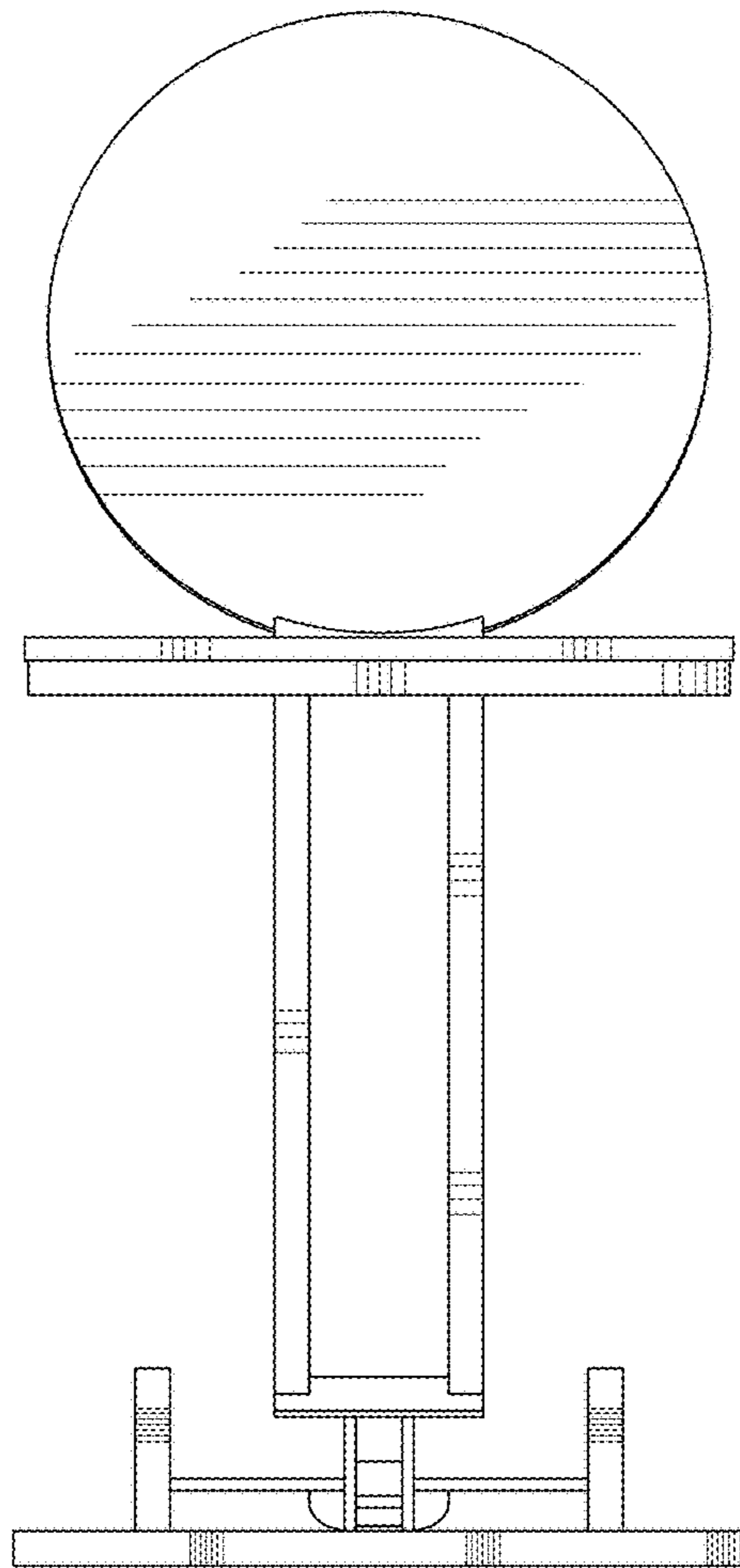


FIG. 3

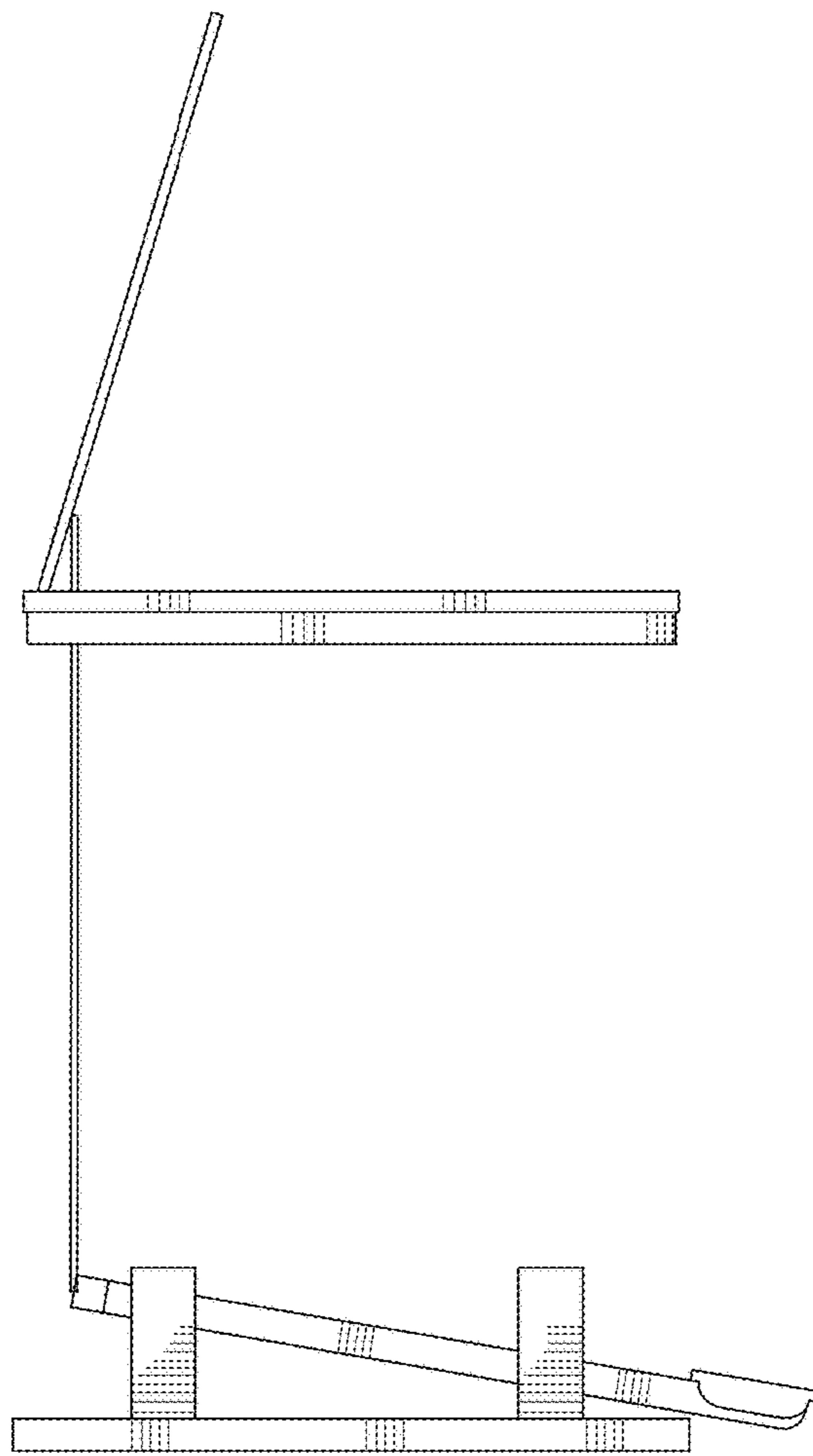


FIG. 4

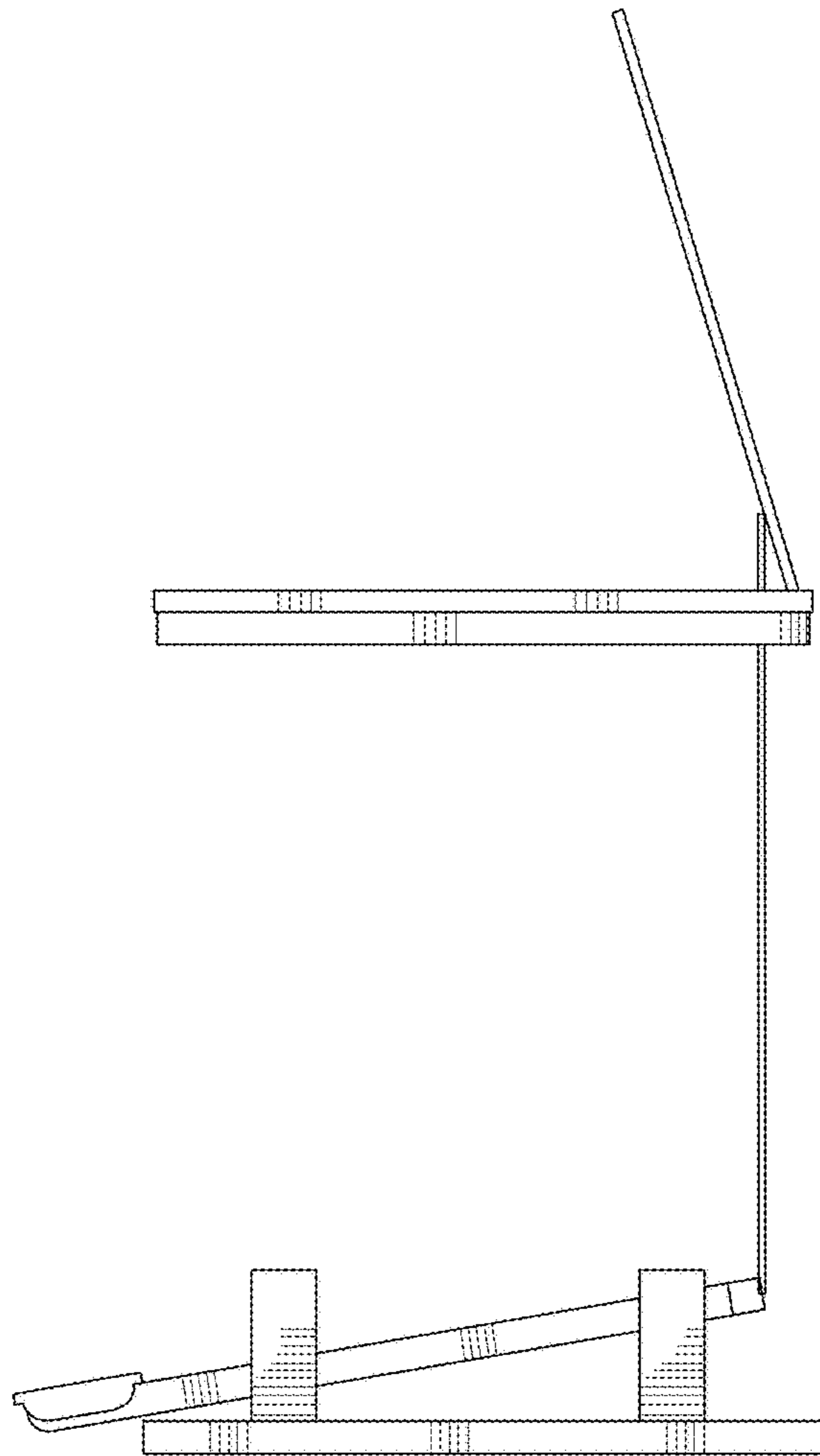


FIG. 5

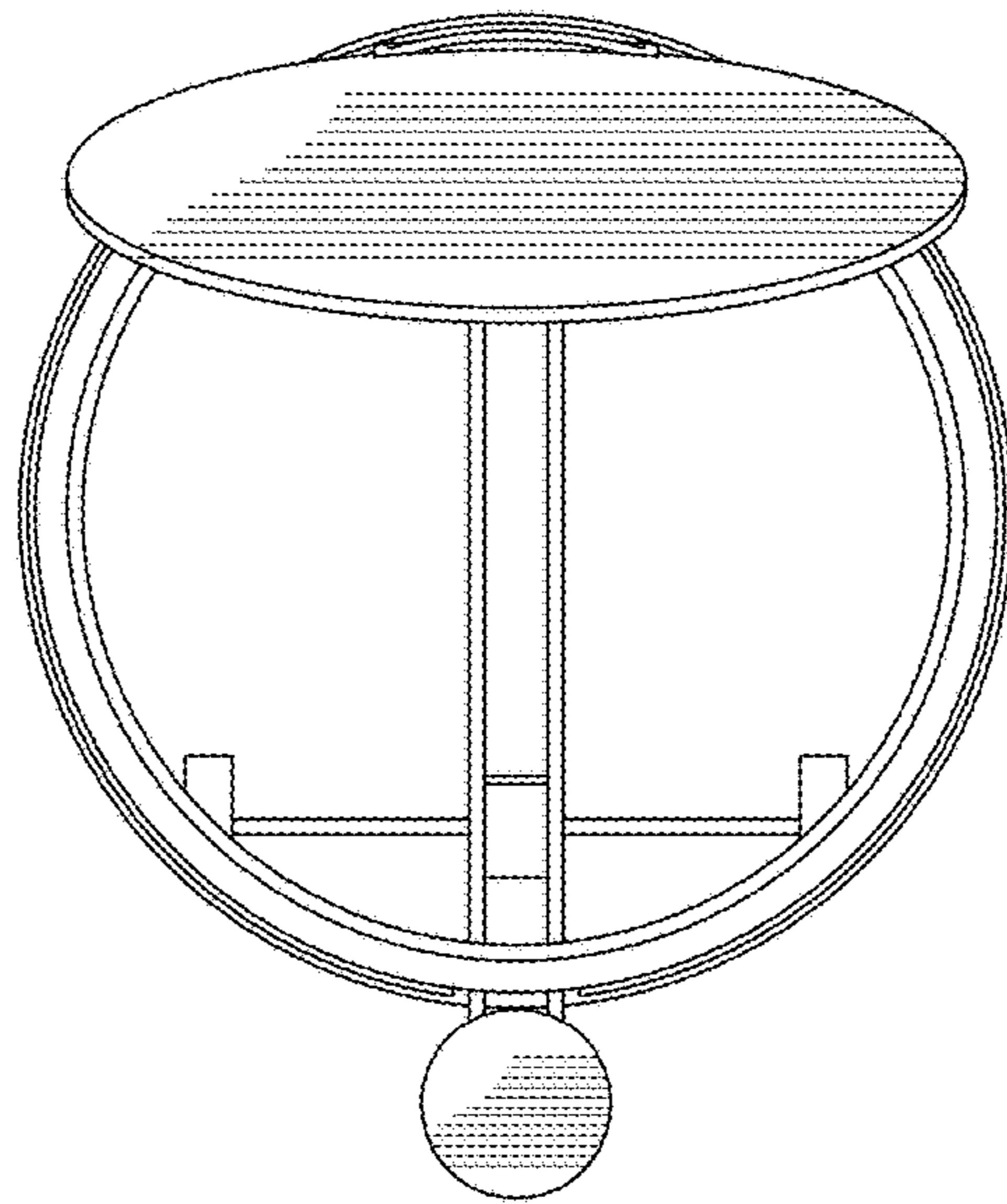


FIG. 6

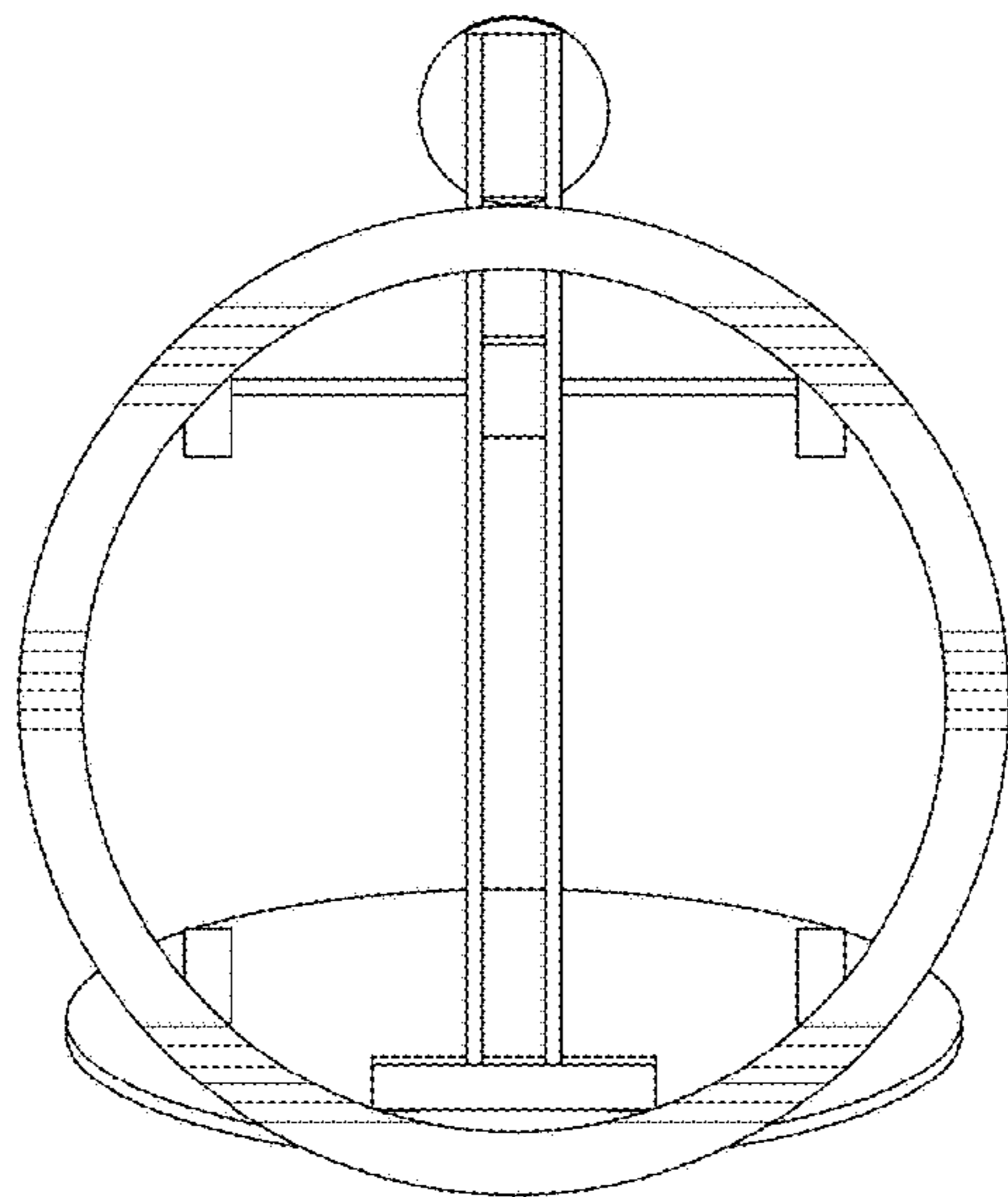


FIG. 7



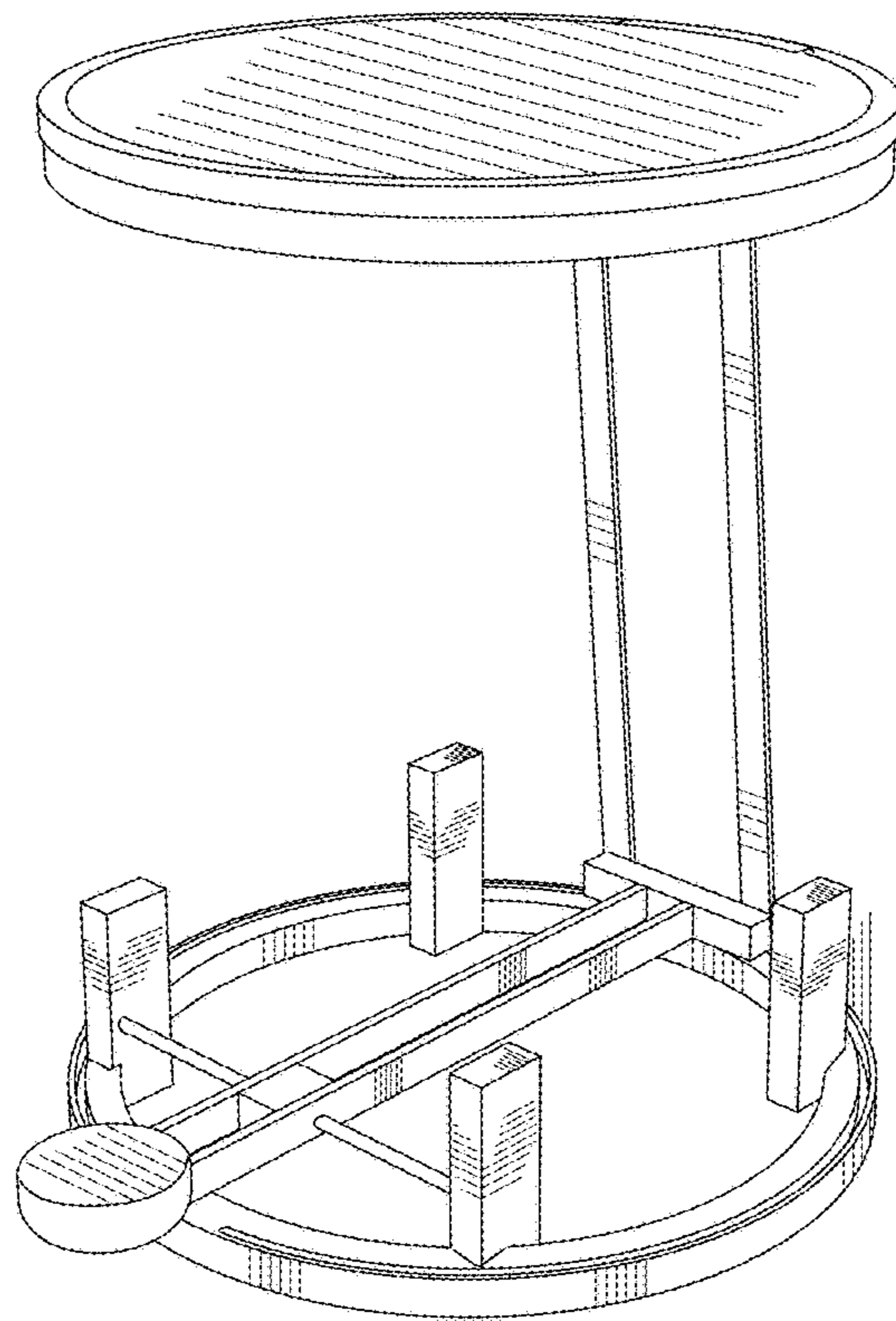


FIG. 8

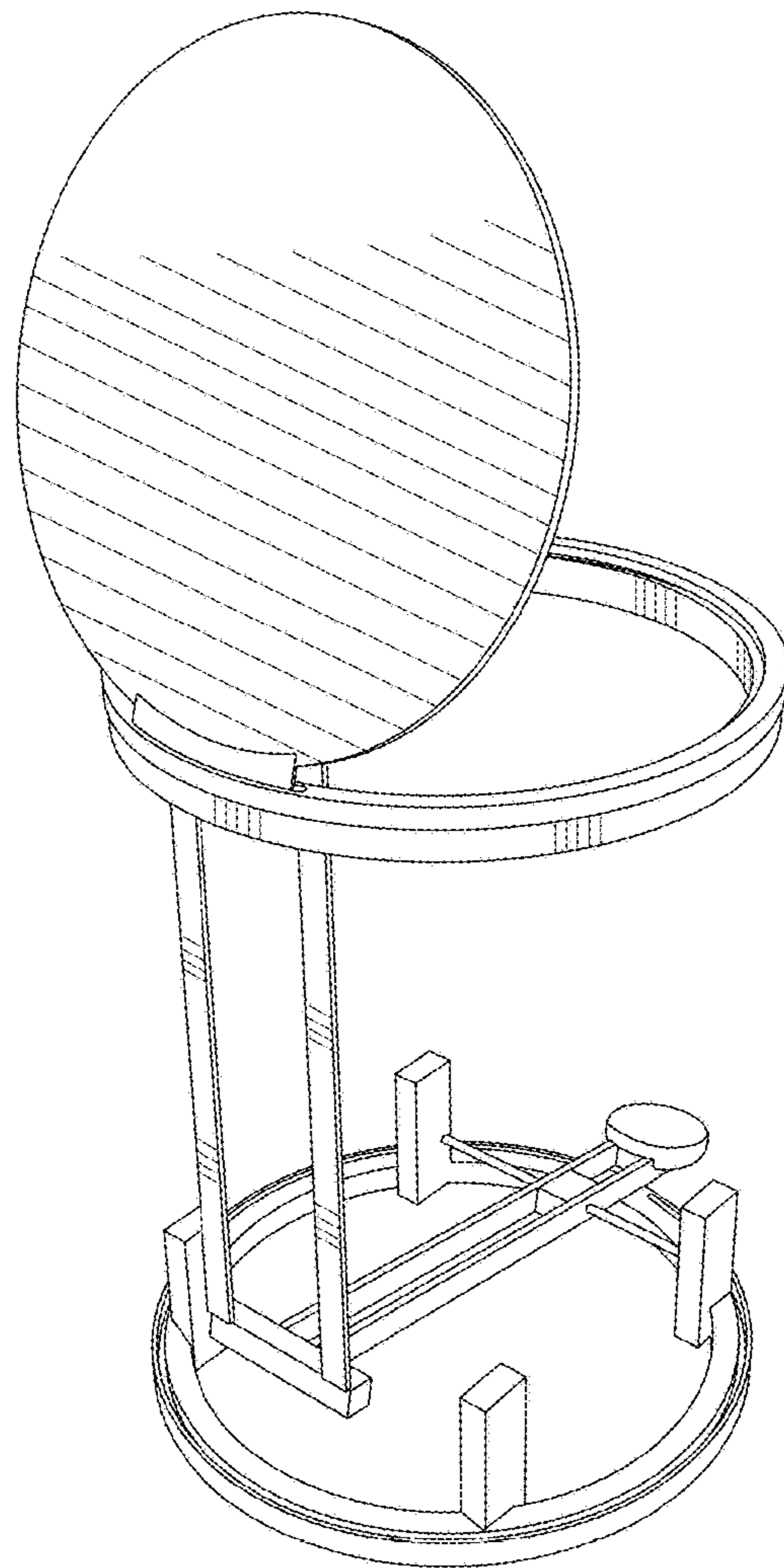


FIG. 9

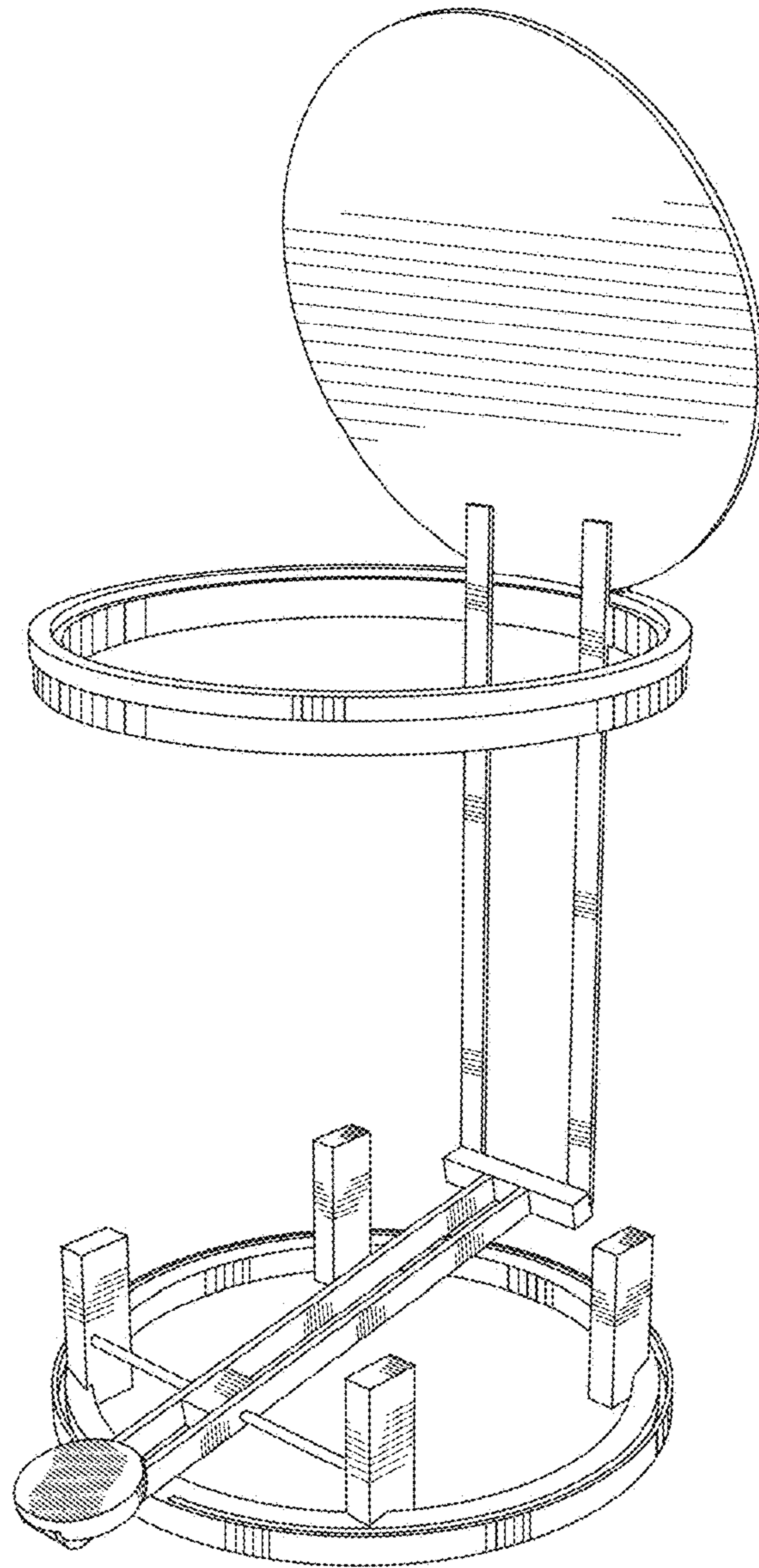


FIG. 10

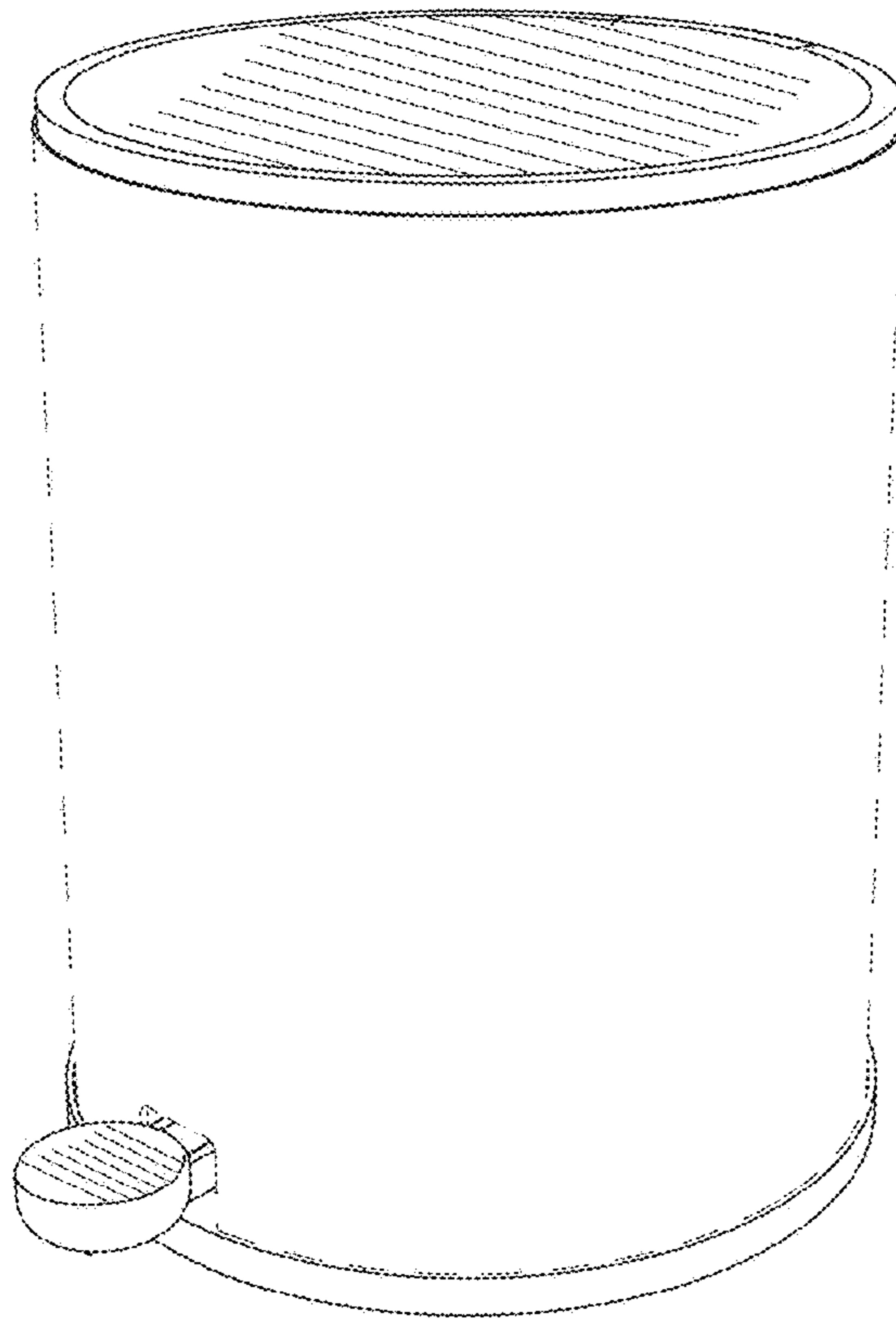


FIG. 11

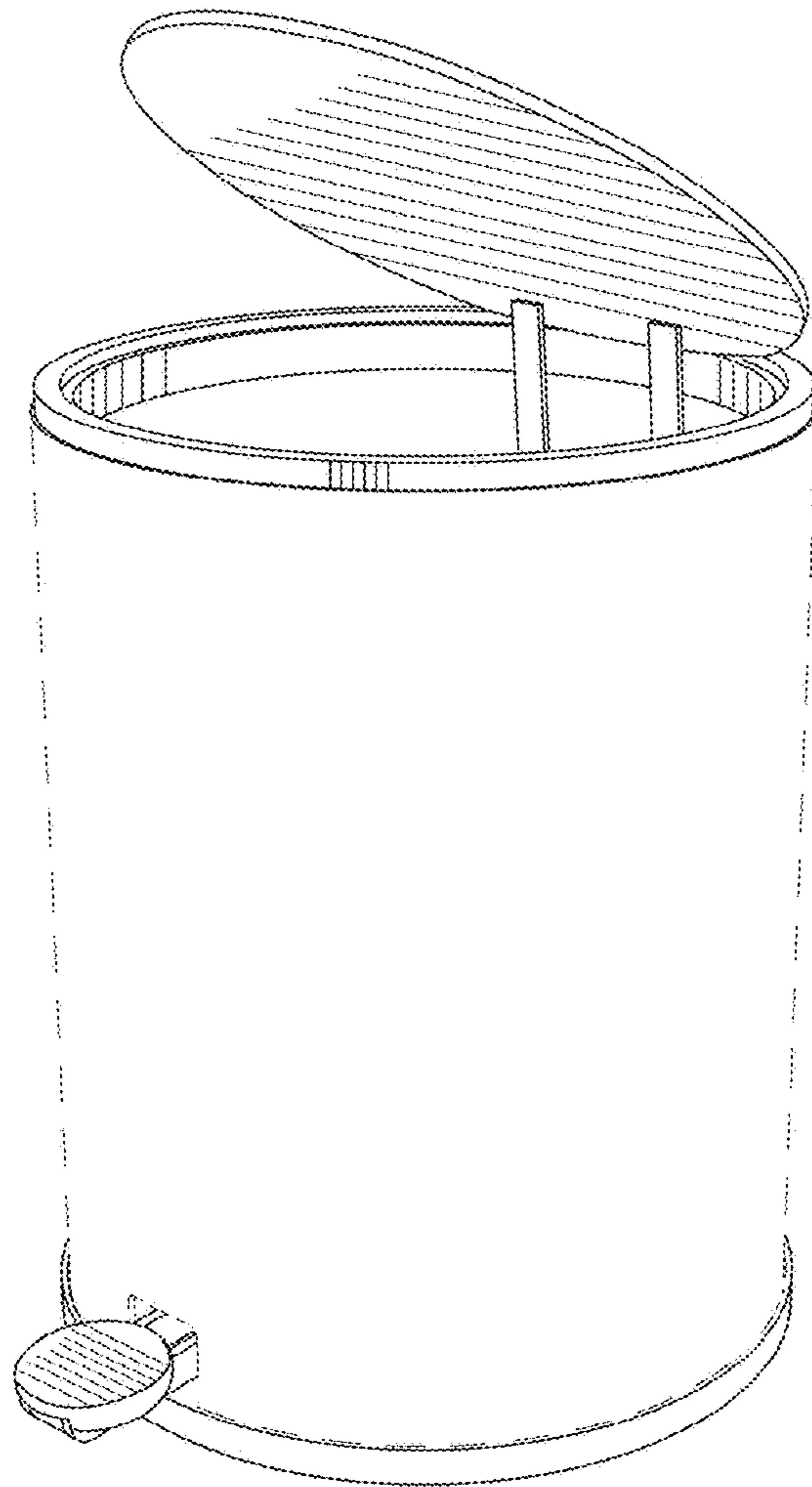


FIG. 12

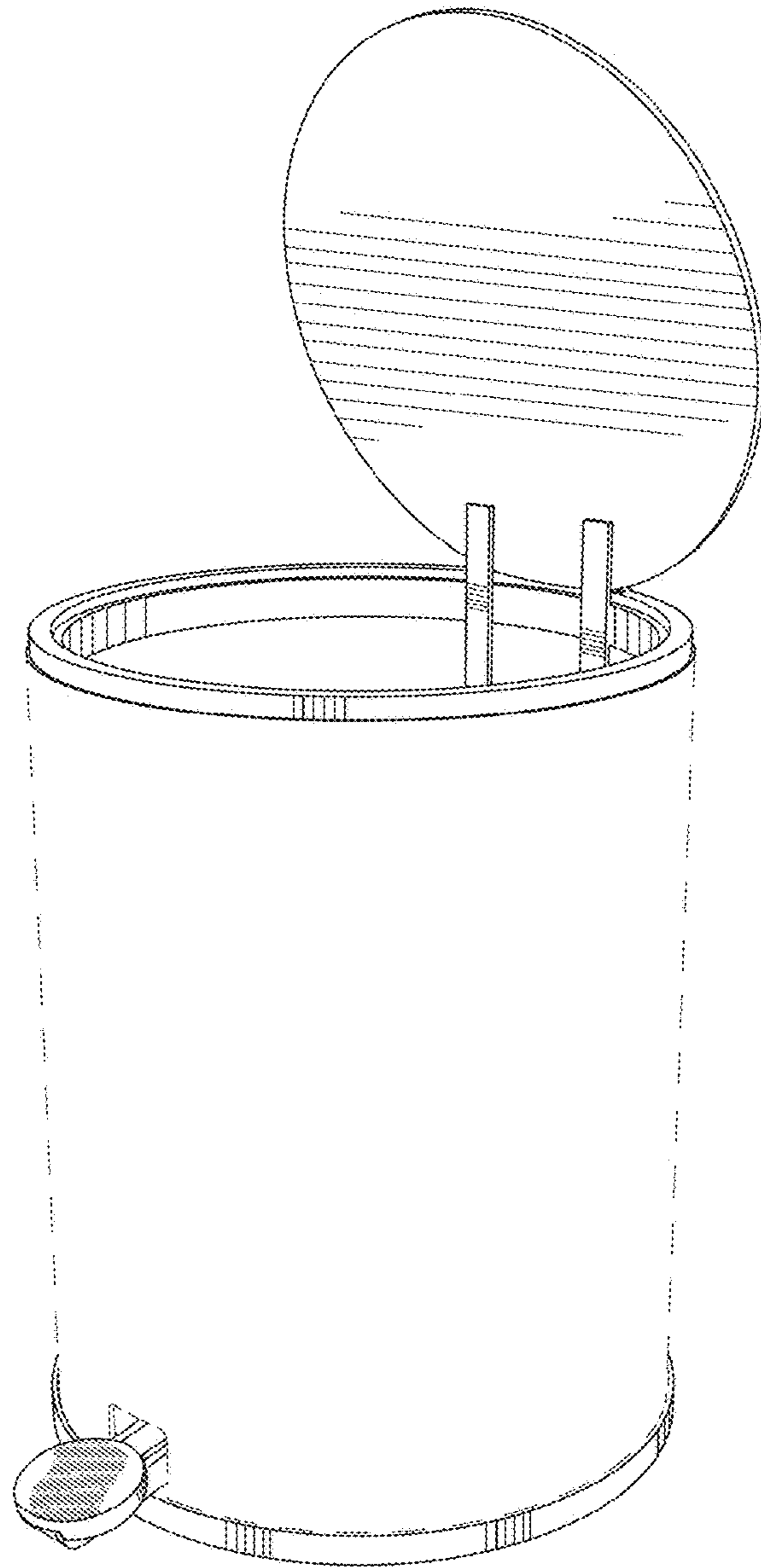


FIG. 13