



US00D854770S

(12) **United States Design Patent** (10) **Patent No.:** **US D854,770 S**
Ozer et al. (45) **Date of Patent:** **** Jul. 23, 2019**

(54) **RECYCLING CONTAINER**

(71) Applicant: **HUMANA PEOPLE TO PEOPLE
ITALIA SOC. COOP. A R.L.,**
Pregnana Milanese (IT)

(72) Inventors: **Billur Ozer**, Istanbul (TR); **Elder
Sousa Maia Galvão Ribeiro**,
Brasilia-DF (BR)

(**) Term: **15 Years**

(21) Appl. No.: **35/504,367**

(22) Filed: **Jan. 15, 2018**

(80) **Hague Agreement Data**

Int. Filing Date: **Jan. 15, 2018**

Int. Reg. No.: **DM/099393**

Int. Reg. Date: **Jan. 15, 2018**

Int. Reg. Pub. Date: **Feb. 2, 2018**

(30) **Foreign Application Priority Data**

Jul. 21, 2017 (EM) 004114213

(51) **LOC (11) Cl.** **09-09**

(52) **U.S. Cl.**
USPC **D34/7**

(58) **Field of Classification Search**

USPC D34/1-11

CPC B65F 1/062; B65F 1/1607; B65F 1/1615;
B65F 2230/134; B65F 1/16; B65F
2230/152; B65F 2250/11

See application file for complete search history.

(56) **References Cited**

U.S. PATENT DOCUMENTS

D194,563 S * 2/1963 Hanson D34/7
D327,556 S * 6/1992 Volker D34/1

D441,934 S * 5/2001 Leess D34/7
D597,721 S * 8/2009 Brockington D34/7
D616,170 S * 5/2010 Rizzi D34/7
D616,171 S * 5/2010 Rizzi D34/7
D665,551 S * 8/2012 Grand D34/7
D712,612 S * 9/2014 Butler D34/7
D751,262 S * 3/2016 Currier D34/7
D778,520 S * 2/2017 Richter D34/7

* cited by examiner

Primary Examiner — Khawaja Anwar

(74) Attorney, Agent, or Firm — King & Schickli, PLLC

(57) **CLAIM**

The ornamental design for a recycling container, as shown and described.

DESCRIPTION

1.-2. Recycling container

1.1 : Perspective

1.2 : Front

1.3 : Back

1.4 : Right

1.5 : Left

1.6 : Top

2.1 : Perspective

2.2 : Front

2.3 : Back

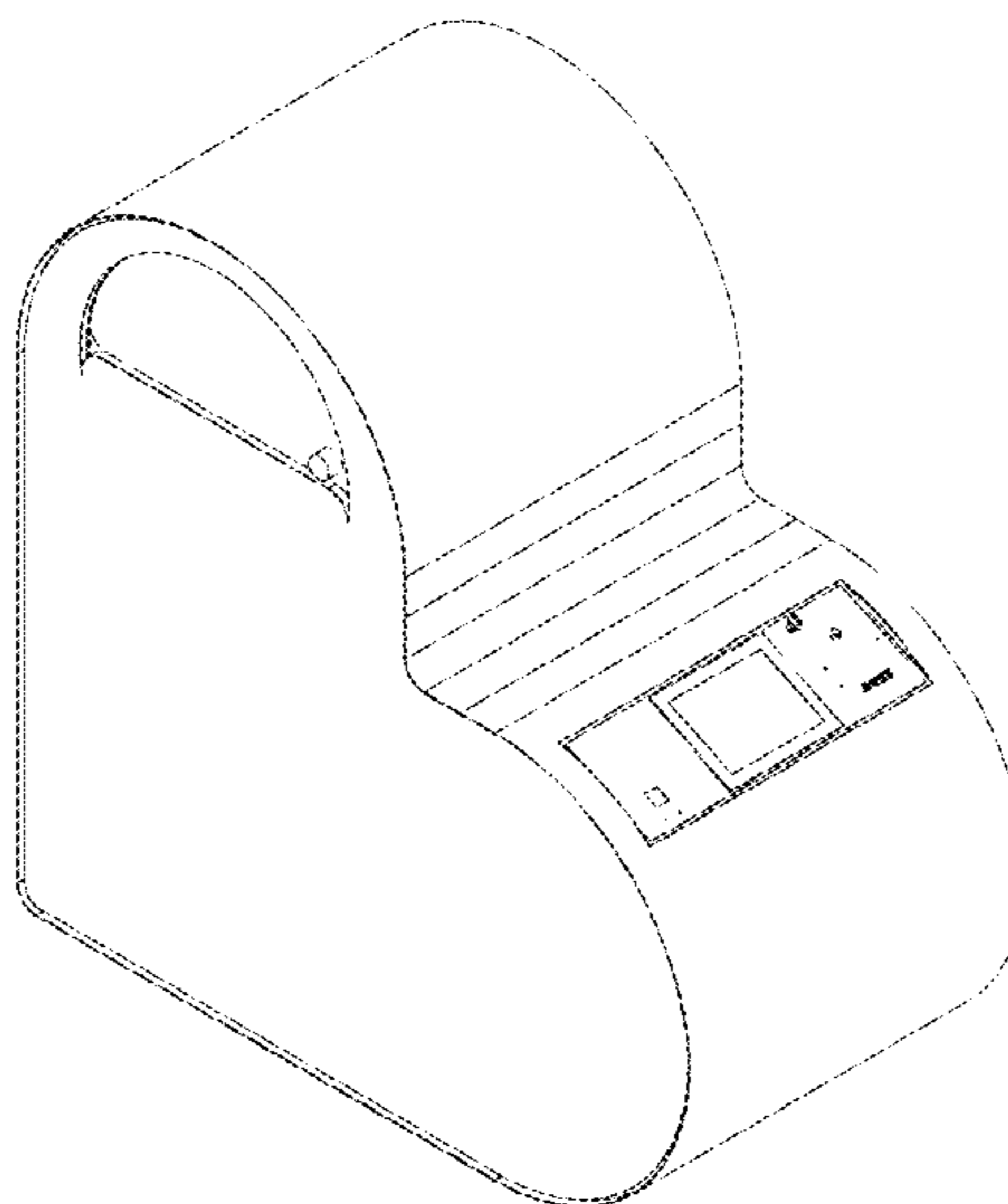
2.4 : Right

2.5 : Left

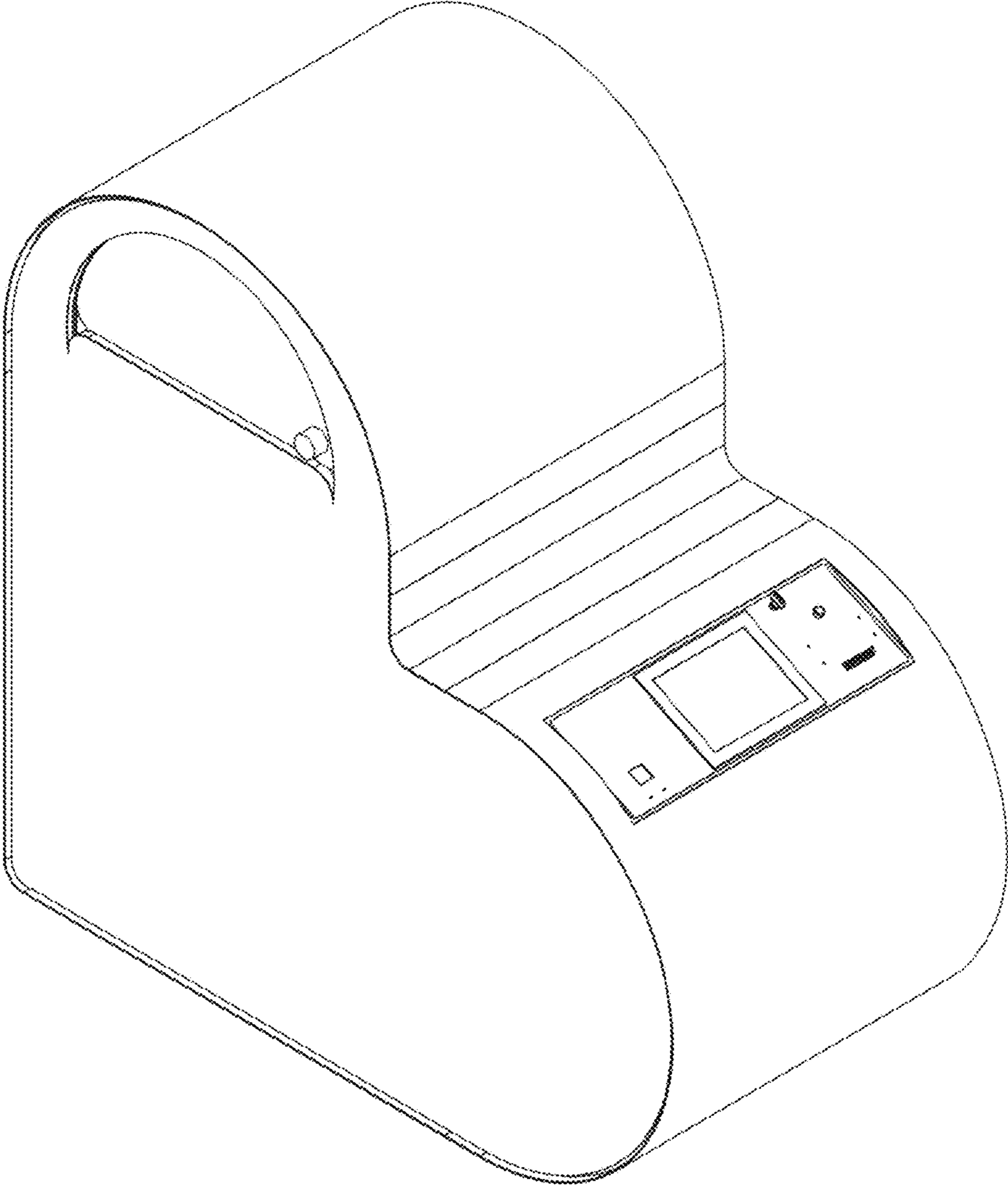
2.6 : Top

The broken lines shown in the drawings show portions of the recycling container and form no part of the claimed design.

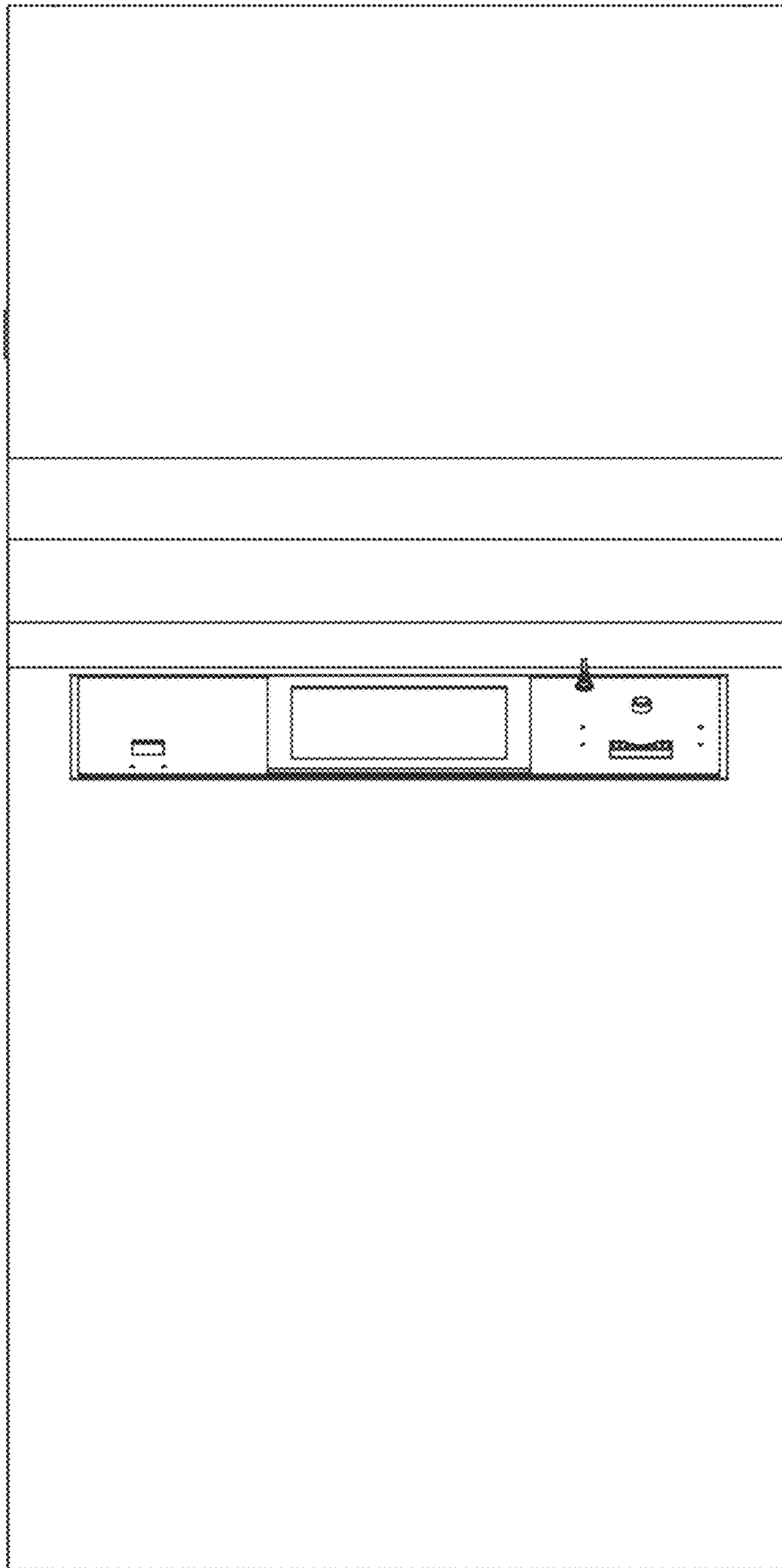
1 Claim, 12 Drawing Sheets



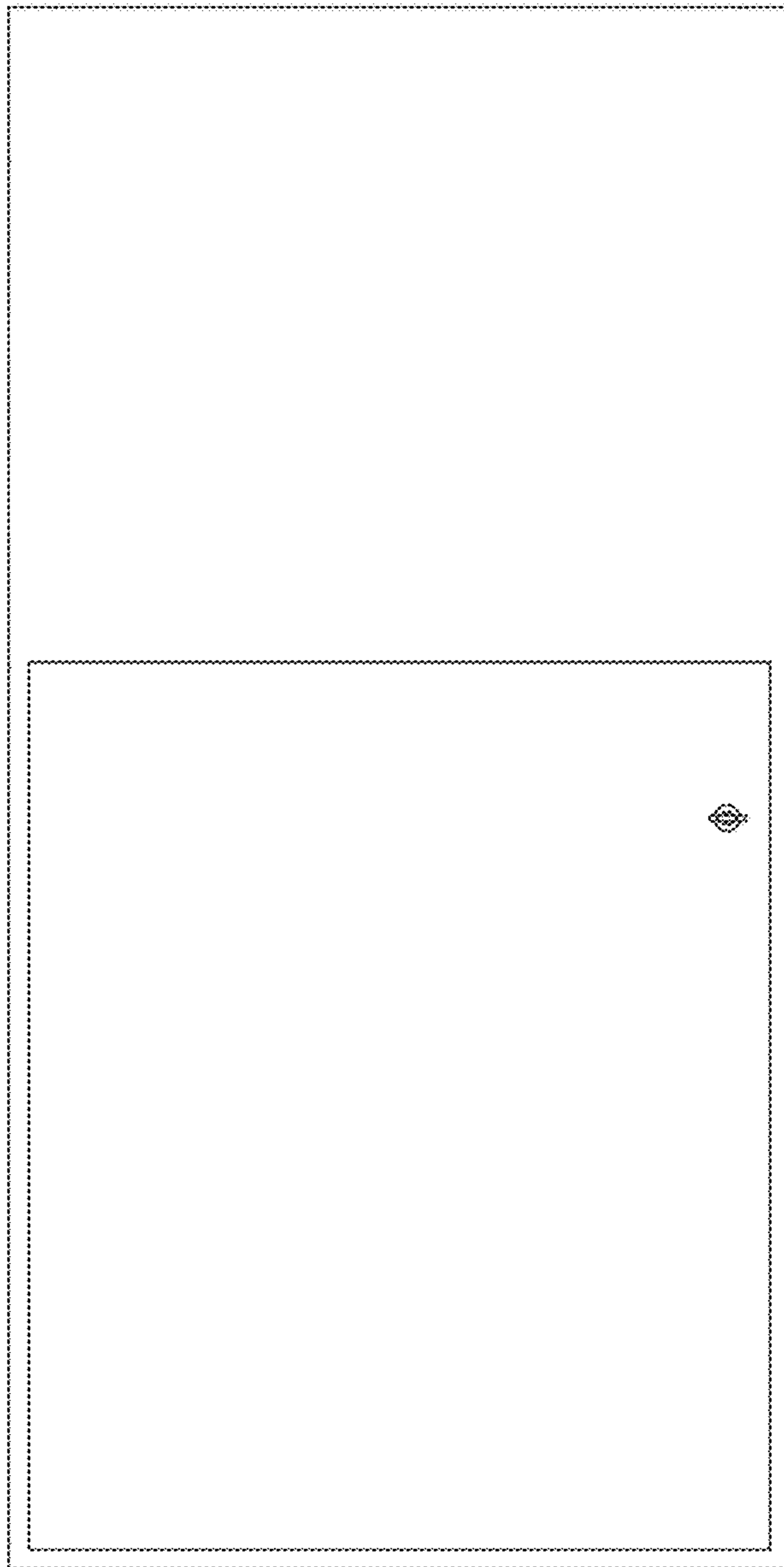
1.1



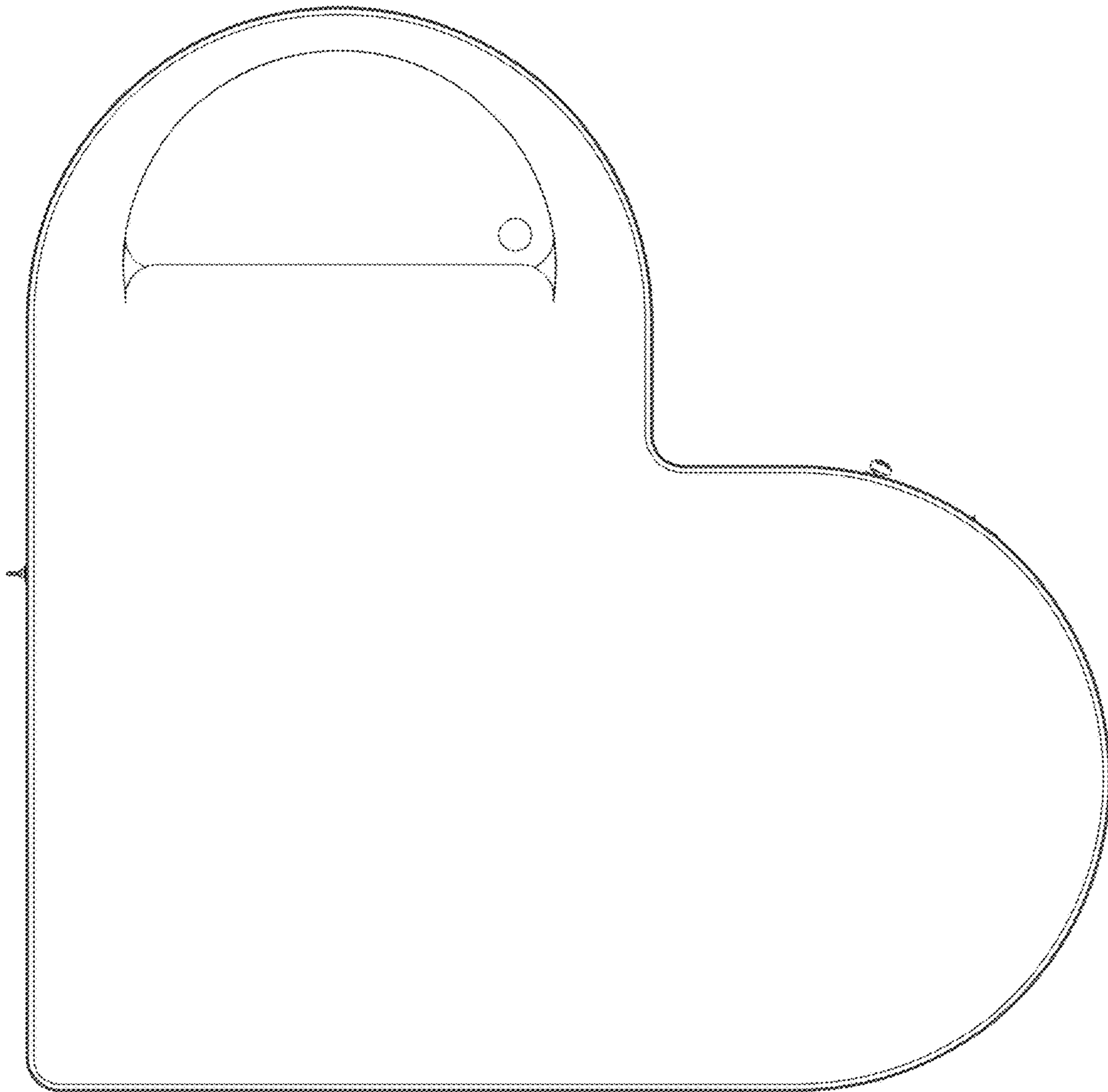
1.2



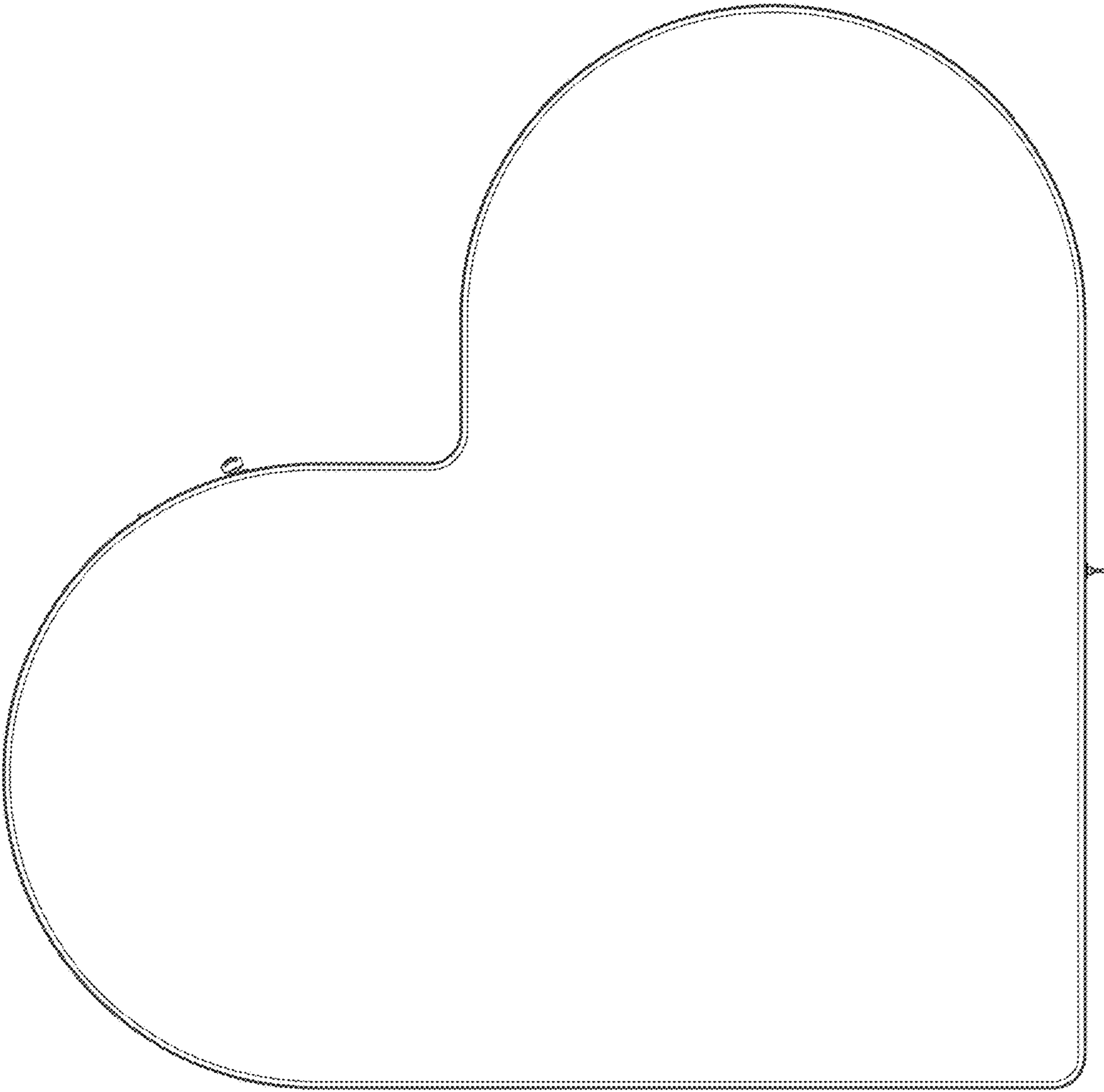
1.3



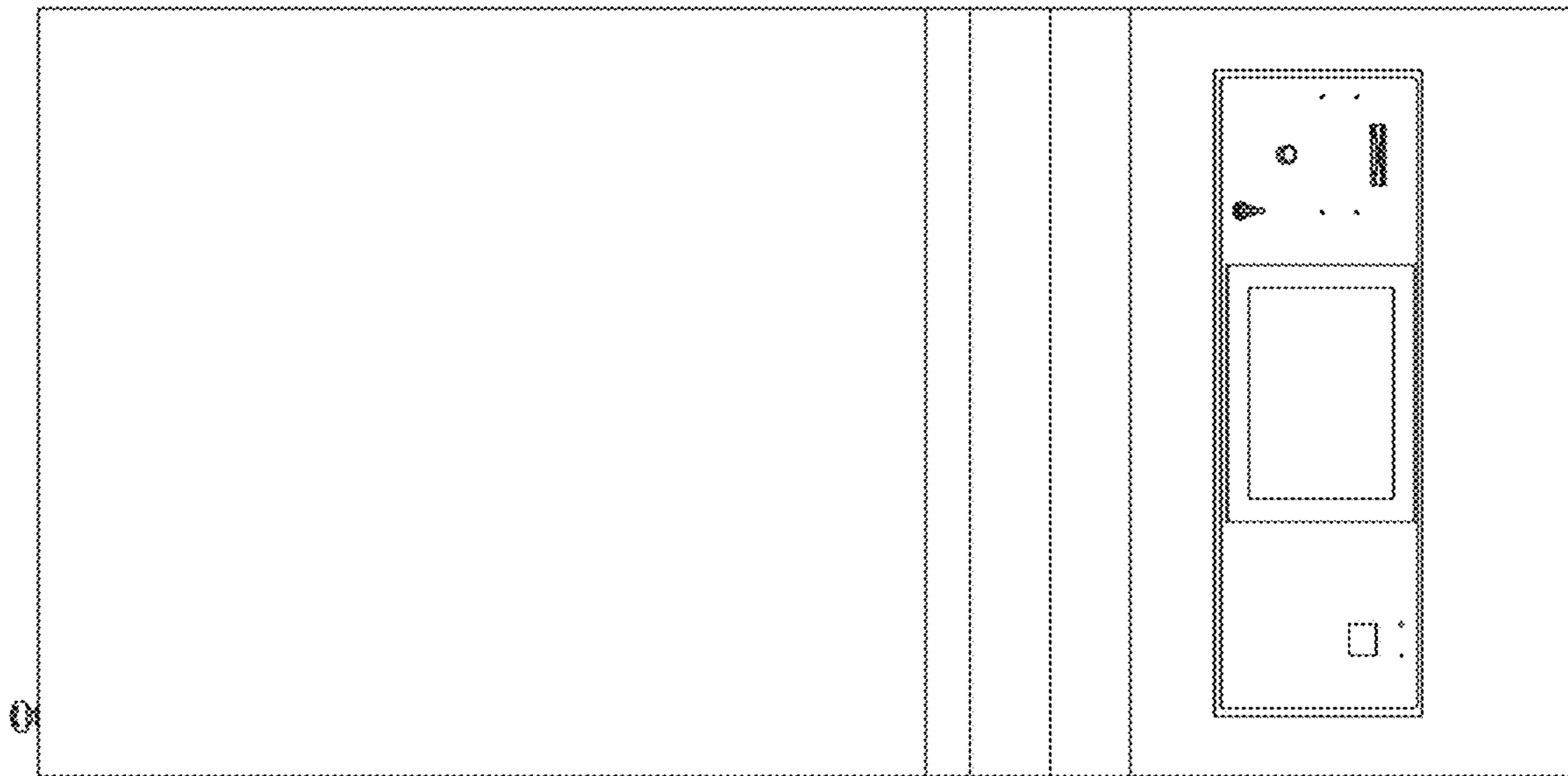
1.4

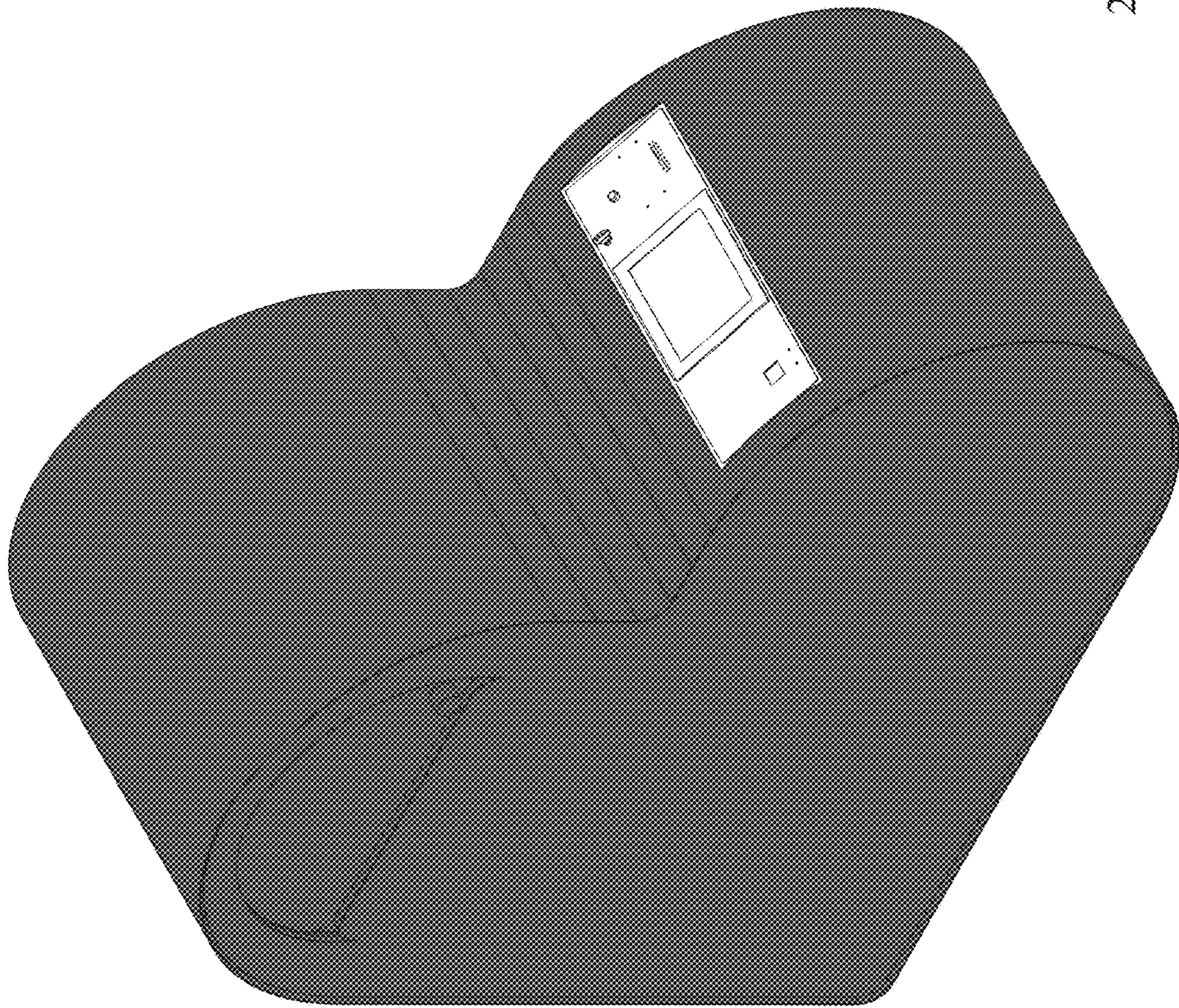


1.5

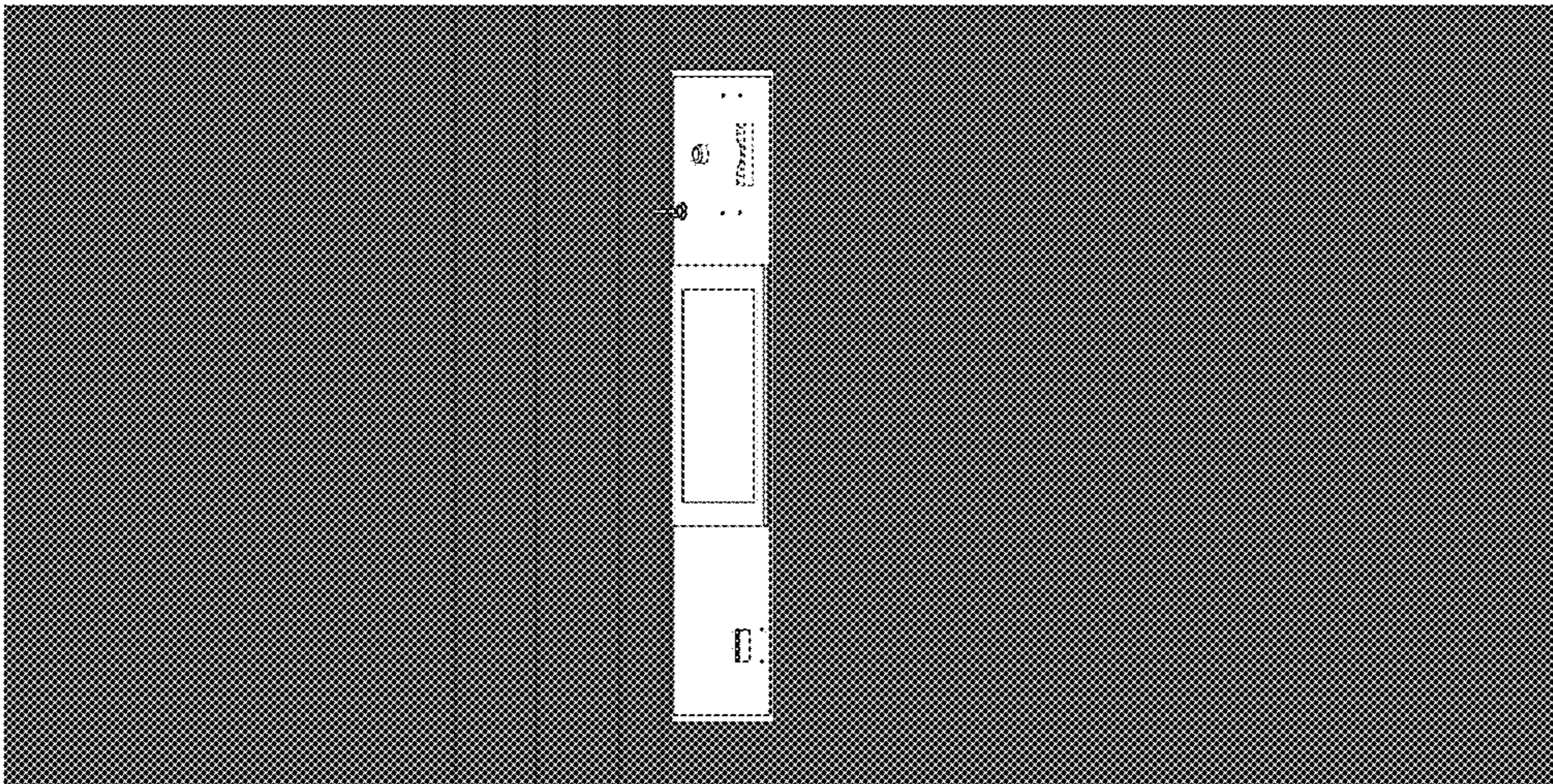


1.6



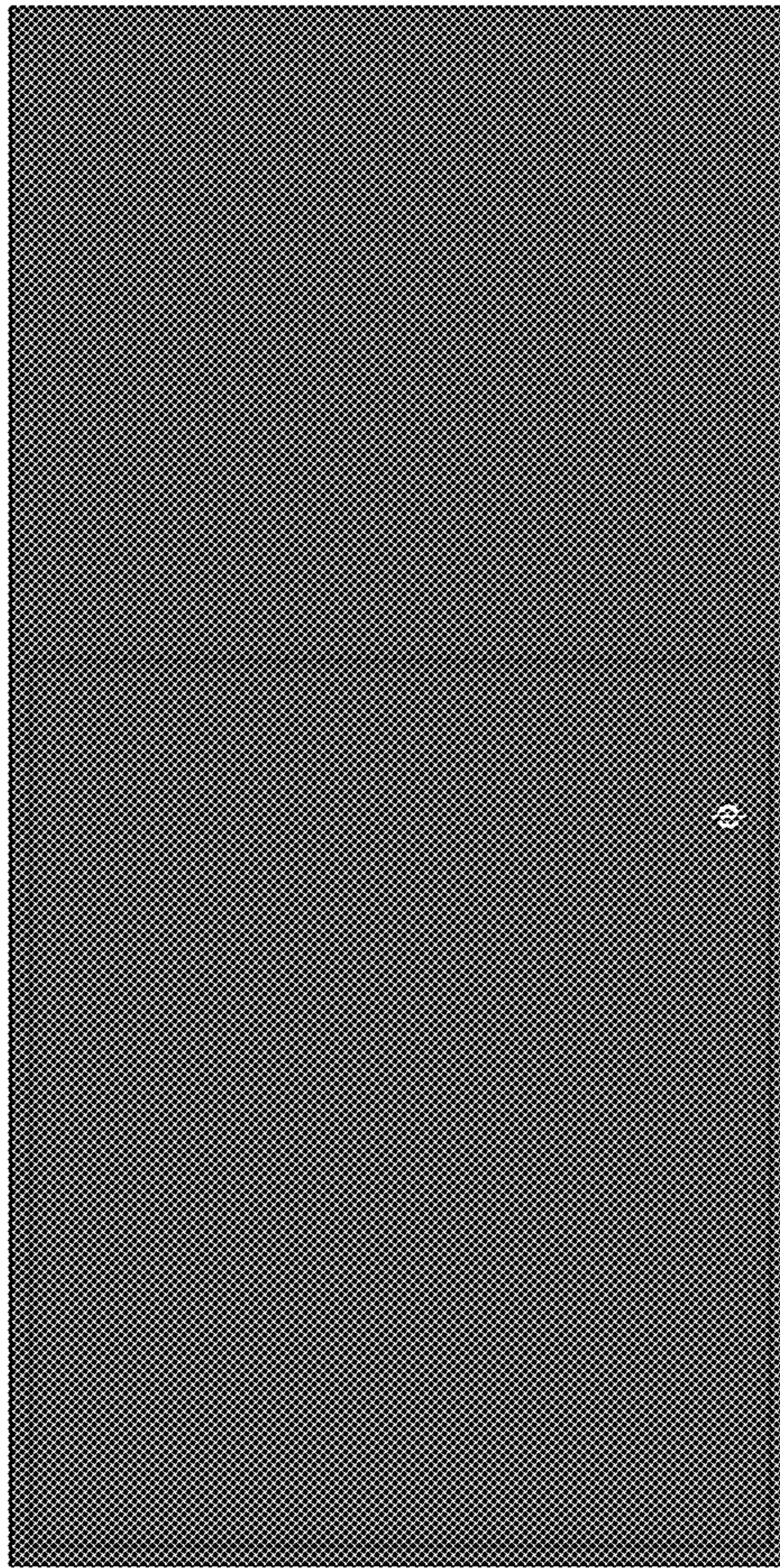


2.1

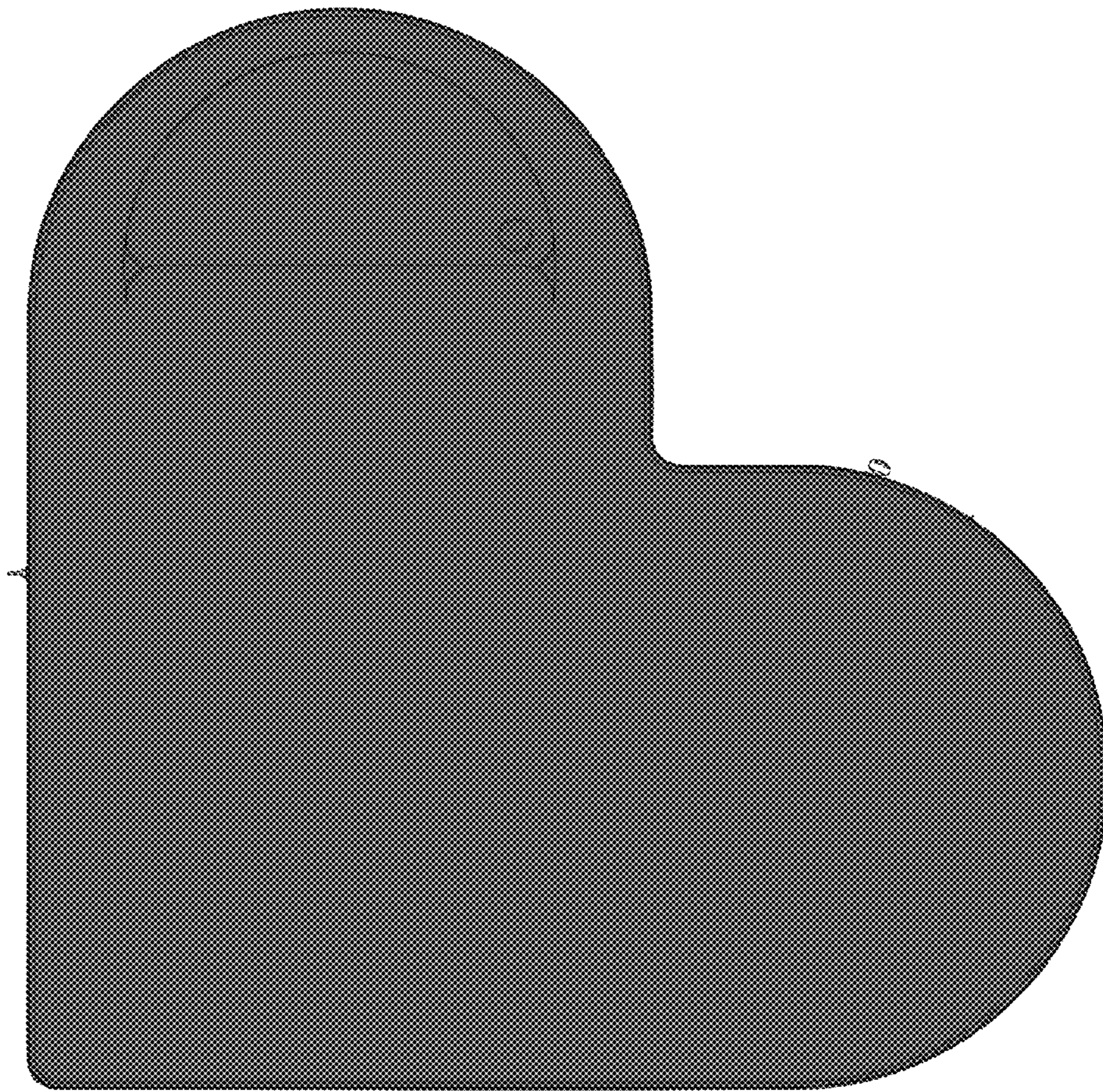


2.2

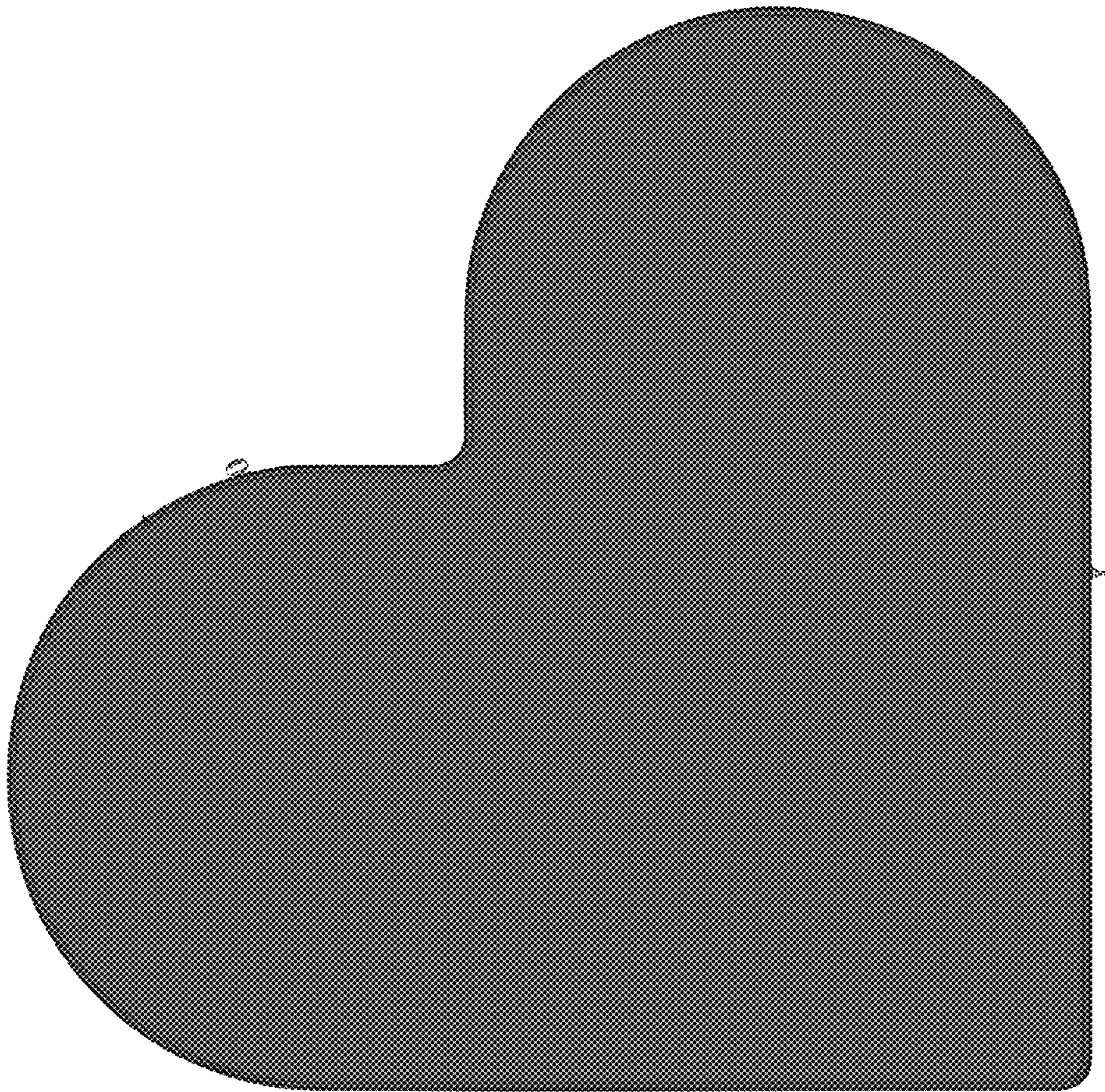
2.3

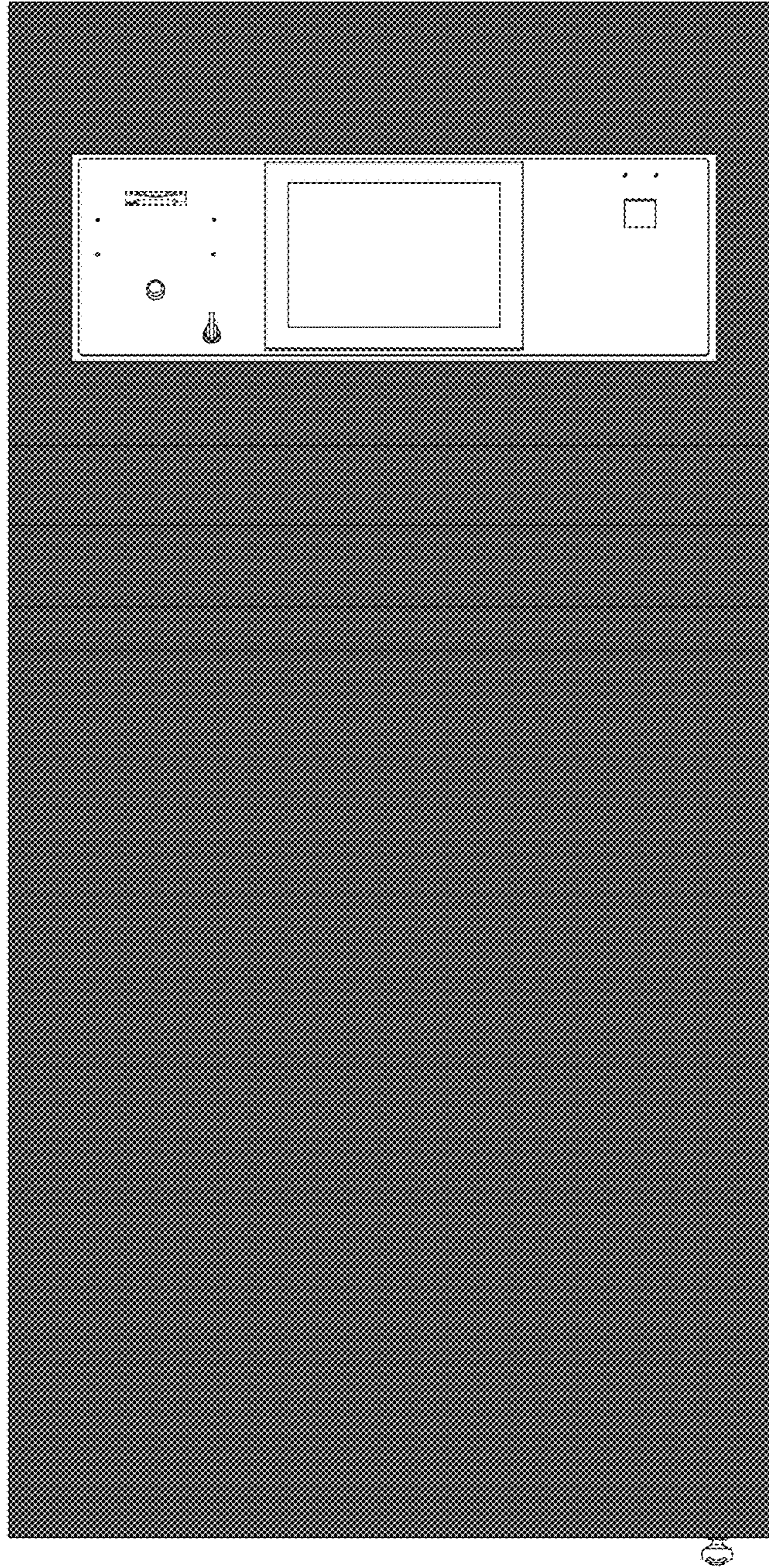


2.4



2.5





2.6