



US00D854767S

(12) **United States Design Patent**
Bond

(10) **Patent No.:** **US D854,767 S**

(45) **Date of Patent:** **** Jul. 23, 2019**

- (54) **VACUUM CLEANER TOOL**
- (71) Applicant: **SHARKNINJA OPERATING LLC**,
Newton, MA (US)
- (72) Inventor: **Brian M. Bond**, Woburn, MA (US)
- (73) Assignee: **SharkNinja Operating LLC**,
Needham, MA (US)
- (**) Term: **15 Years**
- (21) Appl. No.: **29/611,771**
- (22) Filed: **Jul. 25, 2017**
- (51) **LOC (11) Cl.** **15-05**
- (52) **U.S. Cl.**
USPC **D32/31**
- (58) **Field of Classification Search**
USPC D32/18, 31-34, 20-22, 38-39, 45;
D15/138, 126; D8/70
CPC A47L 9/02; A47L 9/04; A47L 9/06; A47L
9/0477; A47L 9/2842; A47L 9/0693;
A47L 9/0444; A47L 9/0461; A47L 9/325;
A47L 9/28; A47L 5/362; A47L 5/365;
A47L 5/325; A47L 5/28; A47L 5/30;
A47L 5/34; A47L 5/36; A47L 5/02; A47L
5/24; A47L 11/4044; E04H 4/1654; A46B
13/001; E01H 1/0854; B24B 55/06;
B23Q 11/0071; B23Q 11/0046; B27C
5/10
See application file for complete search history.

- D480,848 S * 10/2003 Smith D32/31
- D513,101 S * 12/2005 Allard D32/32
- 7,003,846 B2 * 2/2006 Holtz A47L 5/24
15/327.1
- 8,056,181 B2 * 11/2011 Kim A47L 5/36
15/320
- D658,832 S * 5/2012 Eden D32/32
- D674,158 S * 1/2013 Kim D32/31
- 8,533,907 B2 * 9/2013 Eccardt A47L 9/02
138/122
- D744,180 S * 11/2015 Yun D32/31
- D792,670 S * 7/2017 Lambert D32/31
- D796,132 S * 8/2017 Yoon D32/31
- D796,133 S * 8/2017 Larouche D32/25
- D800,980 S * 10/2017 Carter D32/21
- D805,267 S * 12/2017 Maune D32/31

* cited by examiner

Primary Examiner — Ruth McInroy

(74) *Attorney, Agent, or Firm* — Grossman Tucker
Perreault & Pflieger, PLLC

(57) **CLAIM**

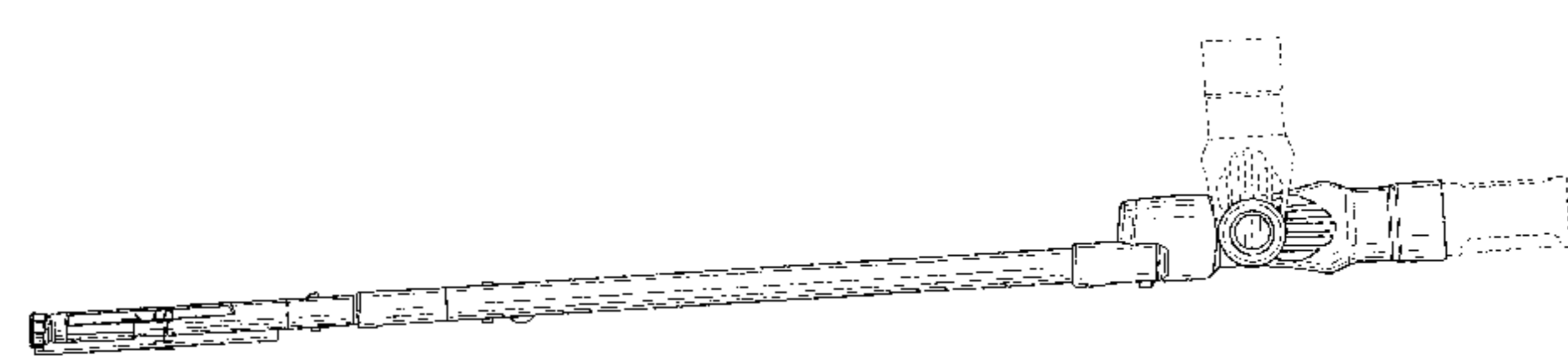
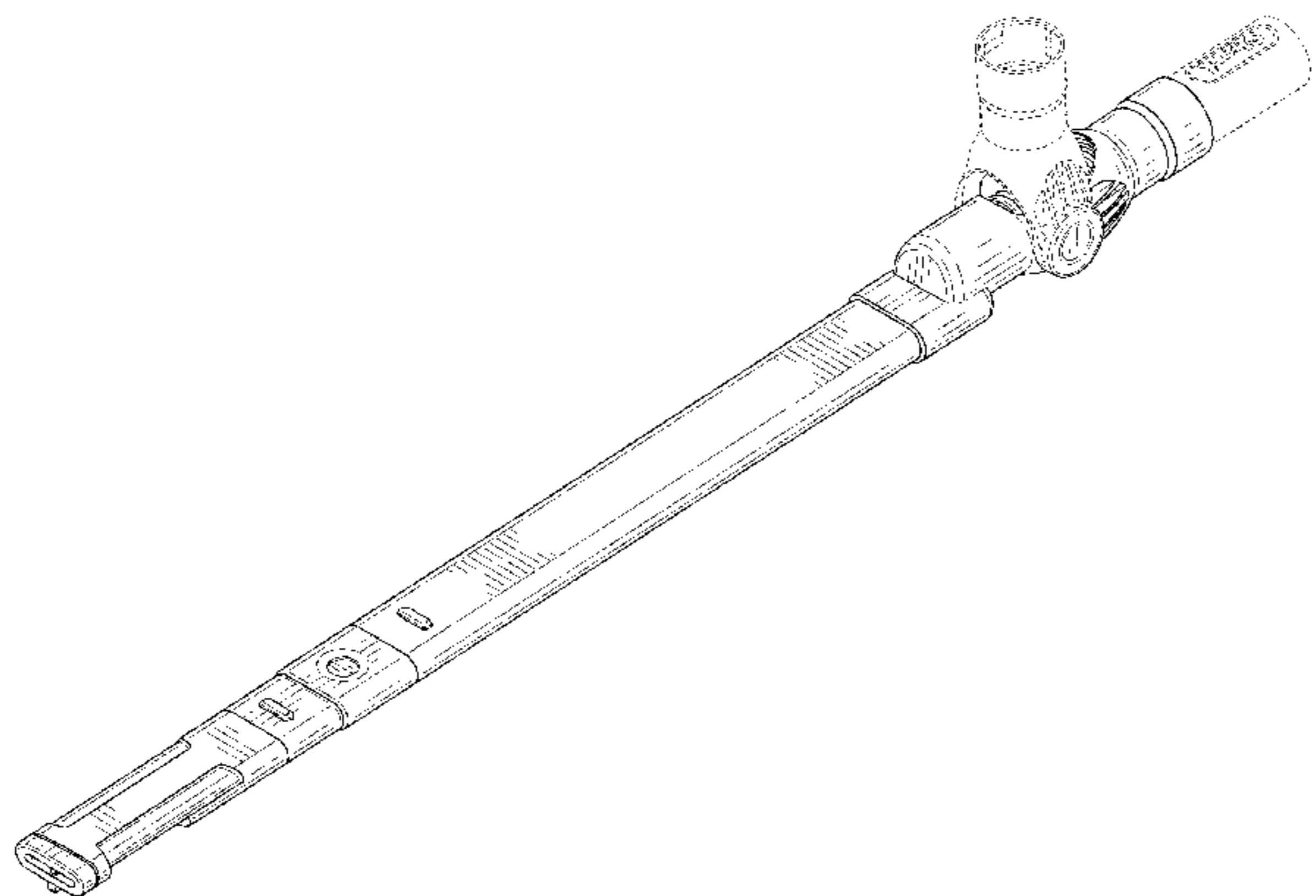
The ornamental design of a vacuum cleaner tool, as shown
and described.

DESCRIPTION

FIG. 1 is a top perspective view of a vacuum cleaner tool
showing the new design;
FIG. 2 is a front view thereof;
FIG. 3 is a back view thereof;
FIG. 4 is a left side view thereof;
FIG. 5 is a right side view thereof;
FIG. 6 is a top view thereof;
FIG. 7 is a bottom view thereof; and,
FIG. 8 is a bottom perspective view thereof.
The details shown in broken lines form no part of the
claimed design.

1 Claim, 5 Drawing Sheets

- (56) **References Cited**
U.S. PATENT DOCUMENTS
D405,570 S * 2/1999 Broecking D32/32
D470,983 S * 2/2003 Svaldi D32/31
D477,445 S * 7/2003 Schroter D32/31



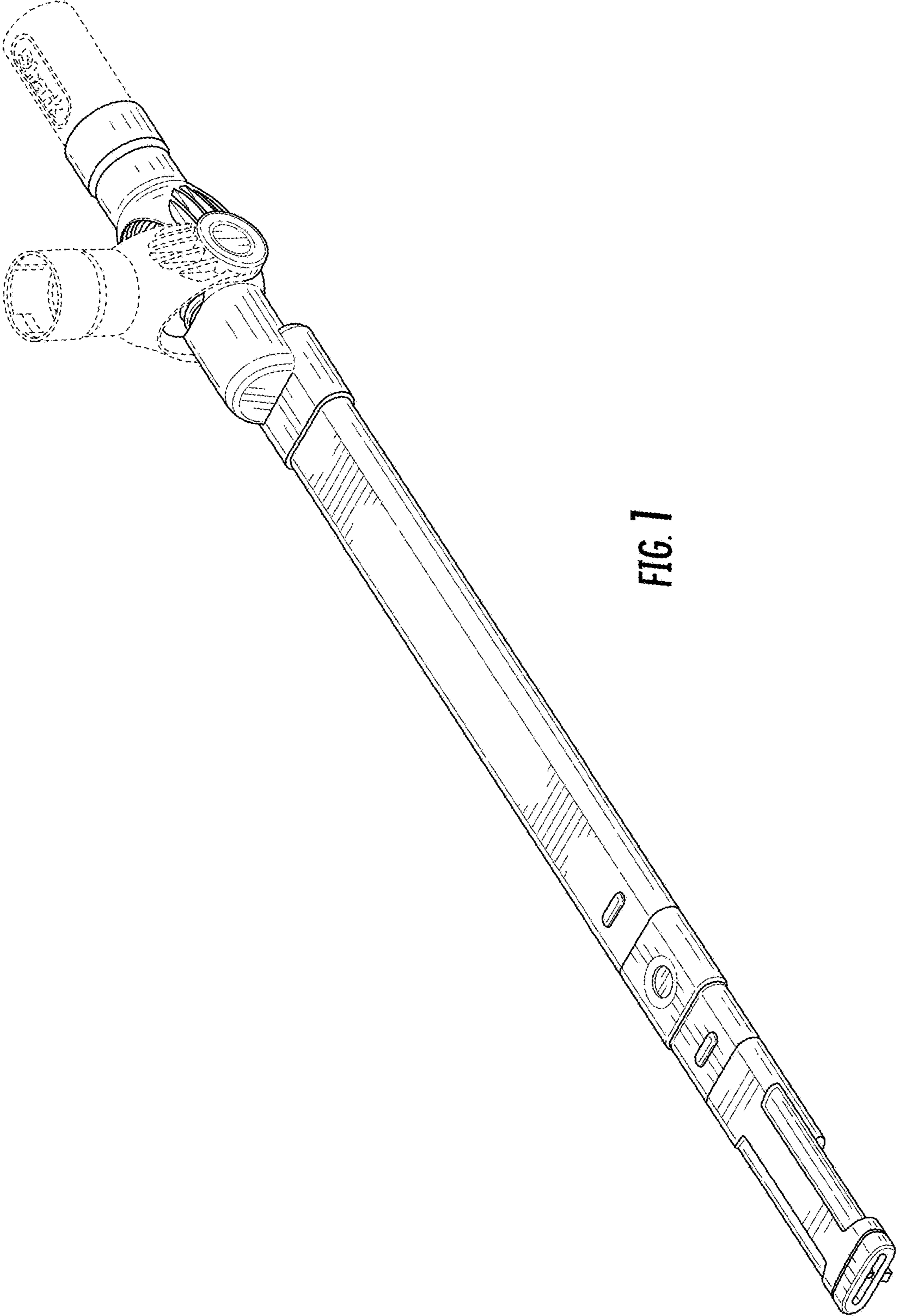


FIG. 1

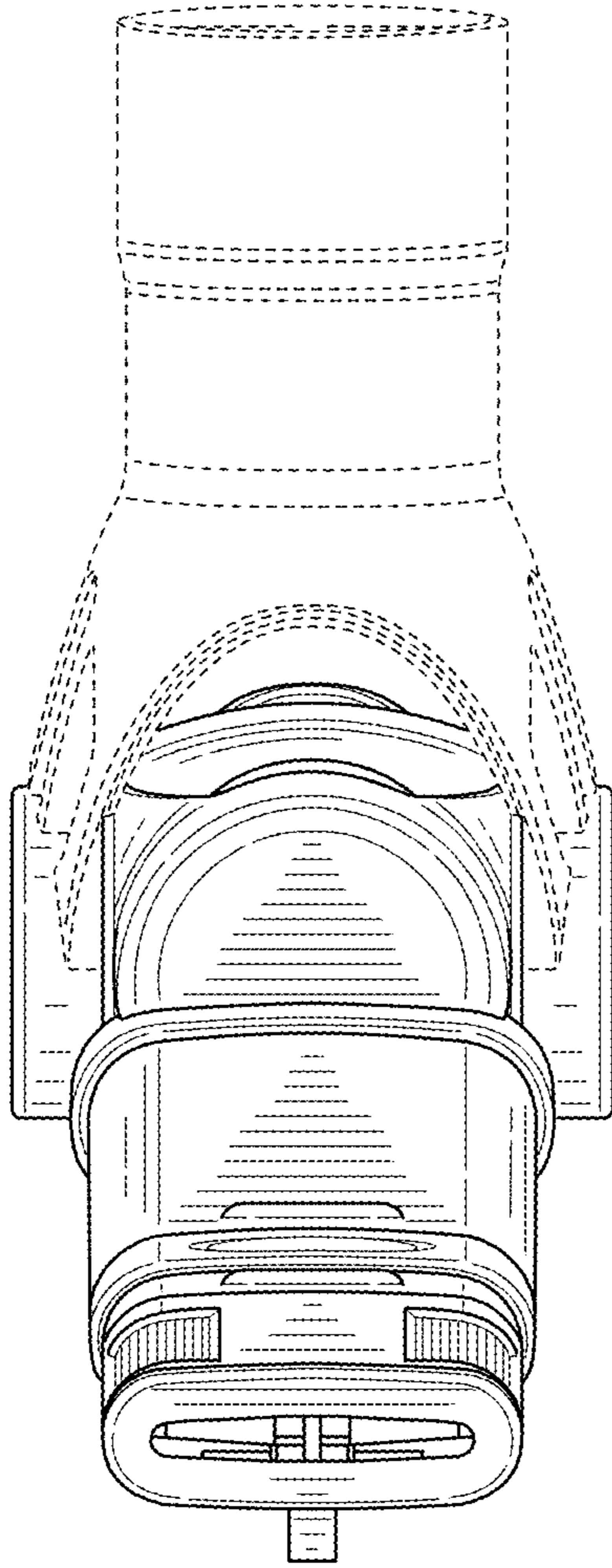


FIG. 2

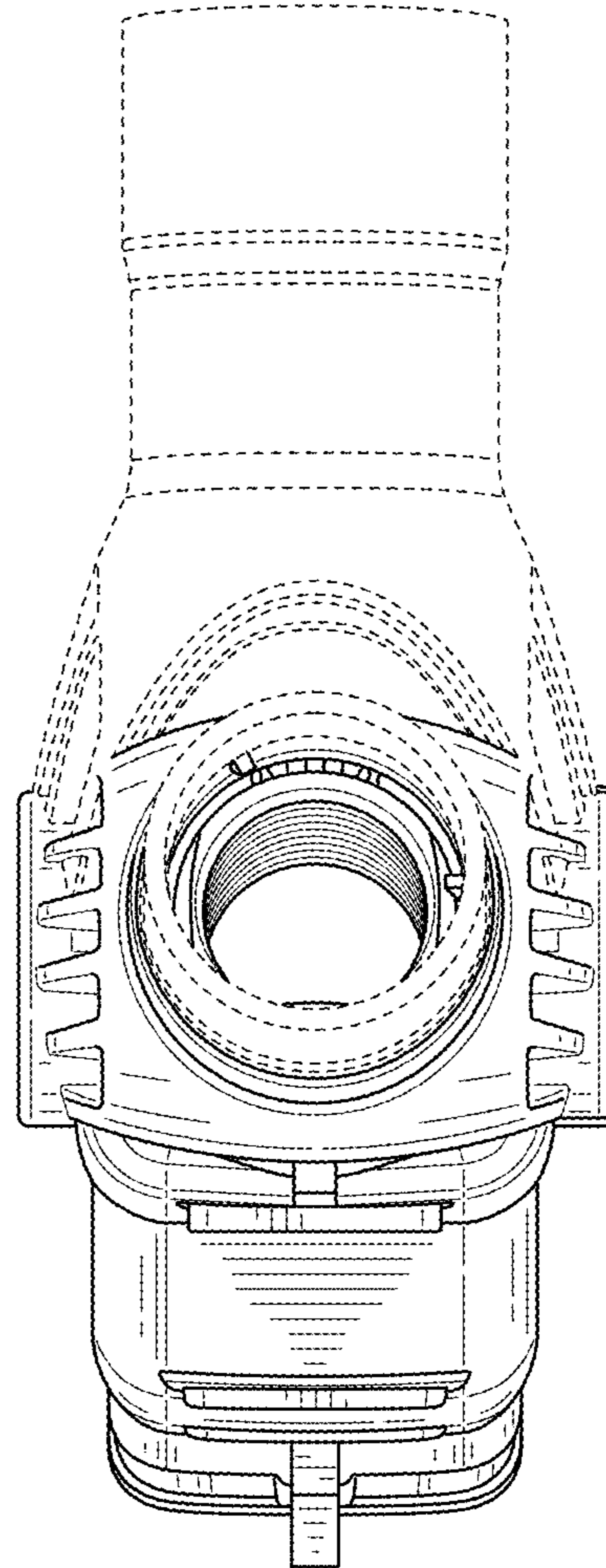


FIG. 3

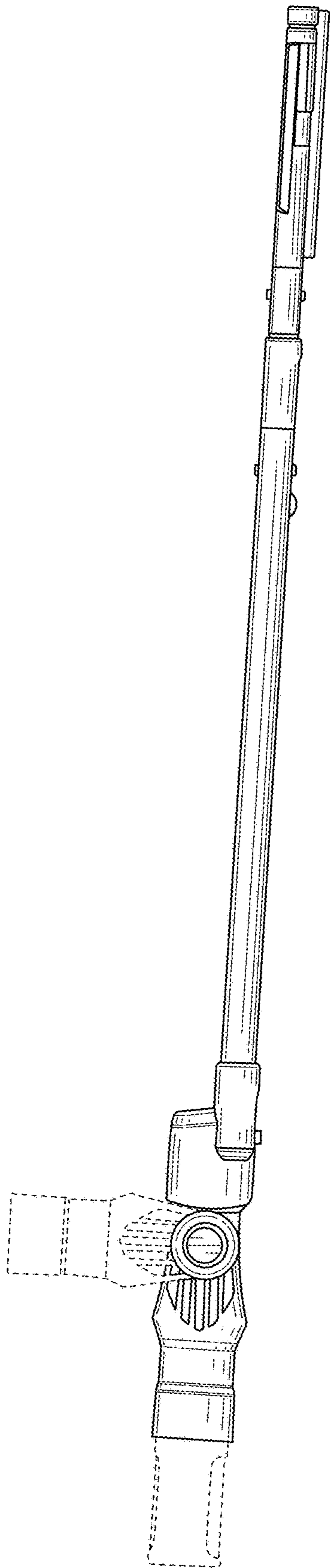


FIG. 4

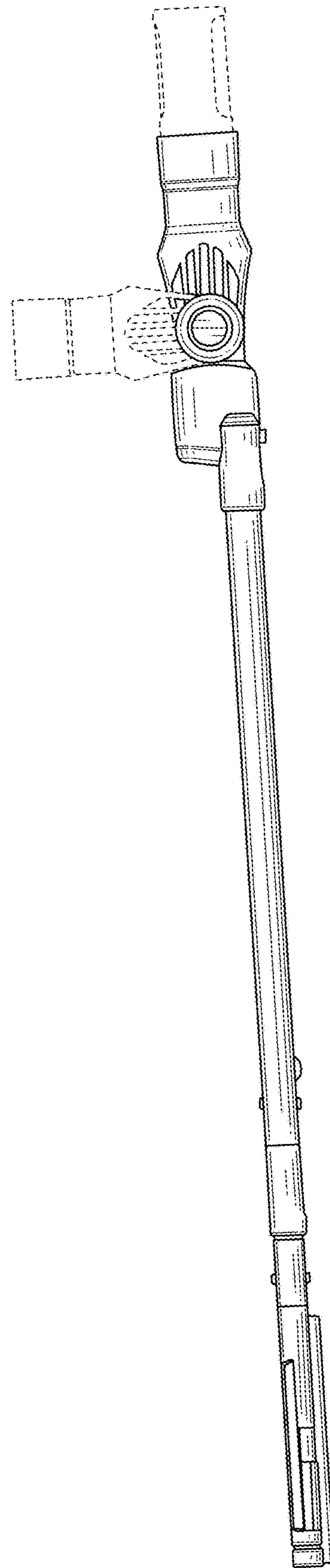


FIG. 5

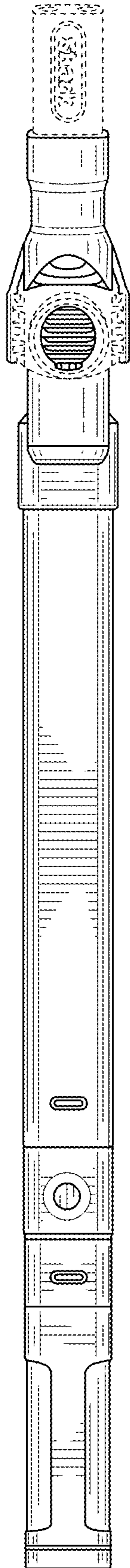


FIG. 6

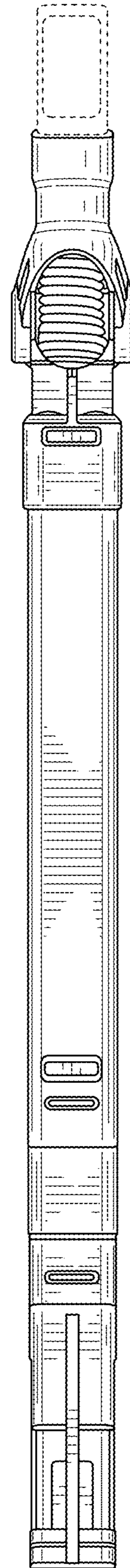


FIG. 7

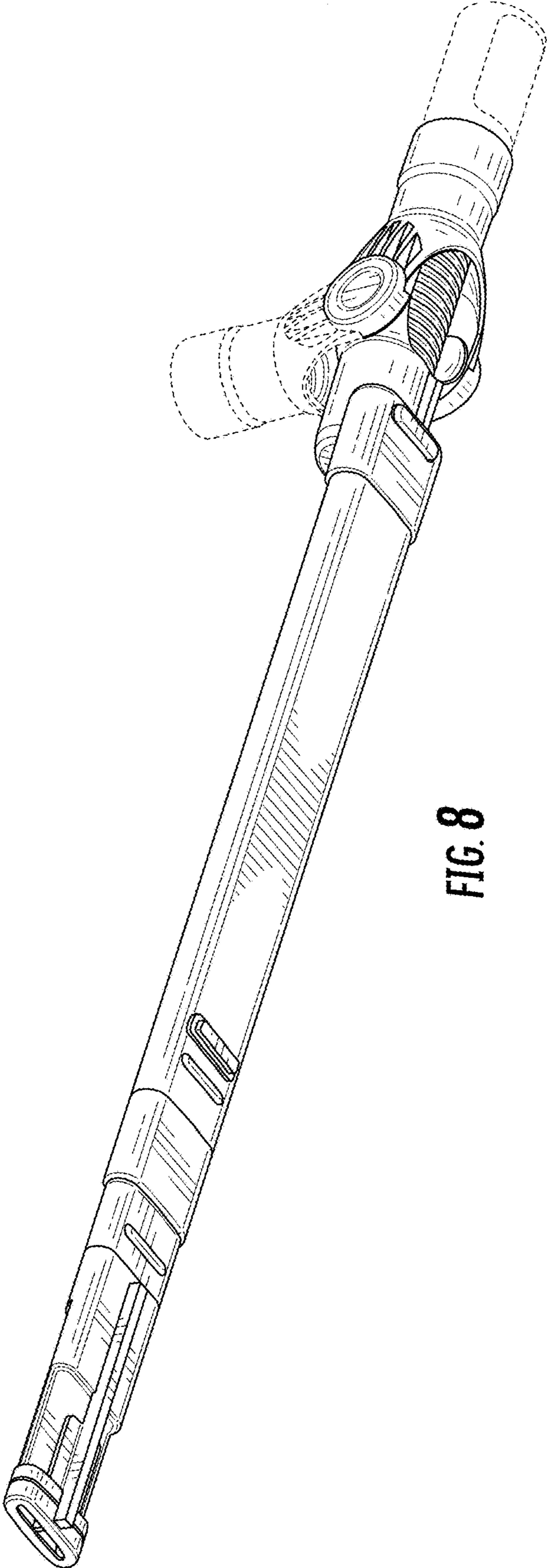


FIG. 8