



US00D854764S

(12) **United States Design Patent**  
**Park et al.**

(10) **Patent No.:** **US D854,764 S**  
(45) **Date of Patent:** **\*\* Jul. 23, 2019**

(54) **STACKING KIT FOR WASHING MACHINE**

- (71) Applicant: **Samsung Electronics Co., Ltd.**, Suwon-si (KR)
- (72) Inventors: **Yuna Park**, Seoul (KR); **Sanghun Yoon**, Seoul (KR); **Jaejin Lee**, Goyang-si (KR)
- (73) Assignee: **Samsung Electronics Co., Ltd.**, Suwon-si (KR)

(\*\*) Term: **15 Years**

(21) Appl. No.: **29/622,050**

(22) Filed: **Oct. 13, 2017**

(30) **Foreign Application Priority Data**

Aug. 8, 2017 (KR) ..... 30-2017-0036798

(51) **LOC (11) Cl.** ..... **15-05**

(52) **U.S. Cl.**  
USPC ..... **D32/25**

(58) **Field of Classification Search**  
USPC ..... D32/1, 5, 6, 8, 10, 25, 28, 29, 29.1;  
D6/663, 705; 68/3 R, 19.1, 20, 139;  
D7/348-349

(Continued)

(56) **References Cited**

**U.S. PATENT DOCUMENTS**

- 2,104,938 A \* 1/1938 Webb ..... A47L 15/0081  
134/172
- 4,821,535 A \* 4/1989 Wassilak ..... D06F 29/00  
211/186

(Continued)

**FOREIGN PATENT DOCUMENTS**

- EM 001812231-0001 1/2011
- EM 001812231-0002 1/2011

(Continued)

**OTHER PUBLICATIONS**

Stacking Kit posted by LG posted date Jun. 30, 2017, © Amazon, [online], [site visited Feb. 25, 2019]. Available from Internet, <https://www.amazon.com/KSTK1-Stacking-Washer-Dryer-Laundry> (Year: 2017).\*

(Continued)

*Primary Examiner* — Cynthia Ramirez

*Assistant Examiner* — Laura H Yu

(74) *Attorney, Agent, or Firm* — NSIP Law

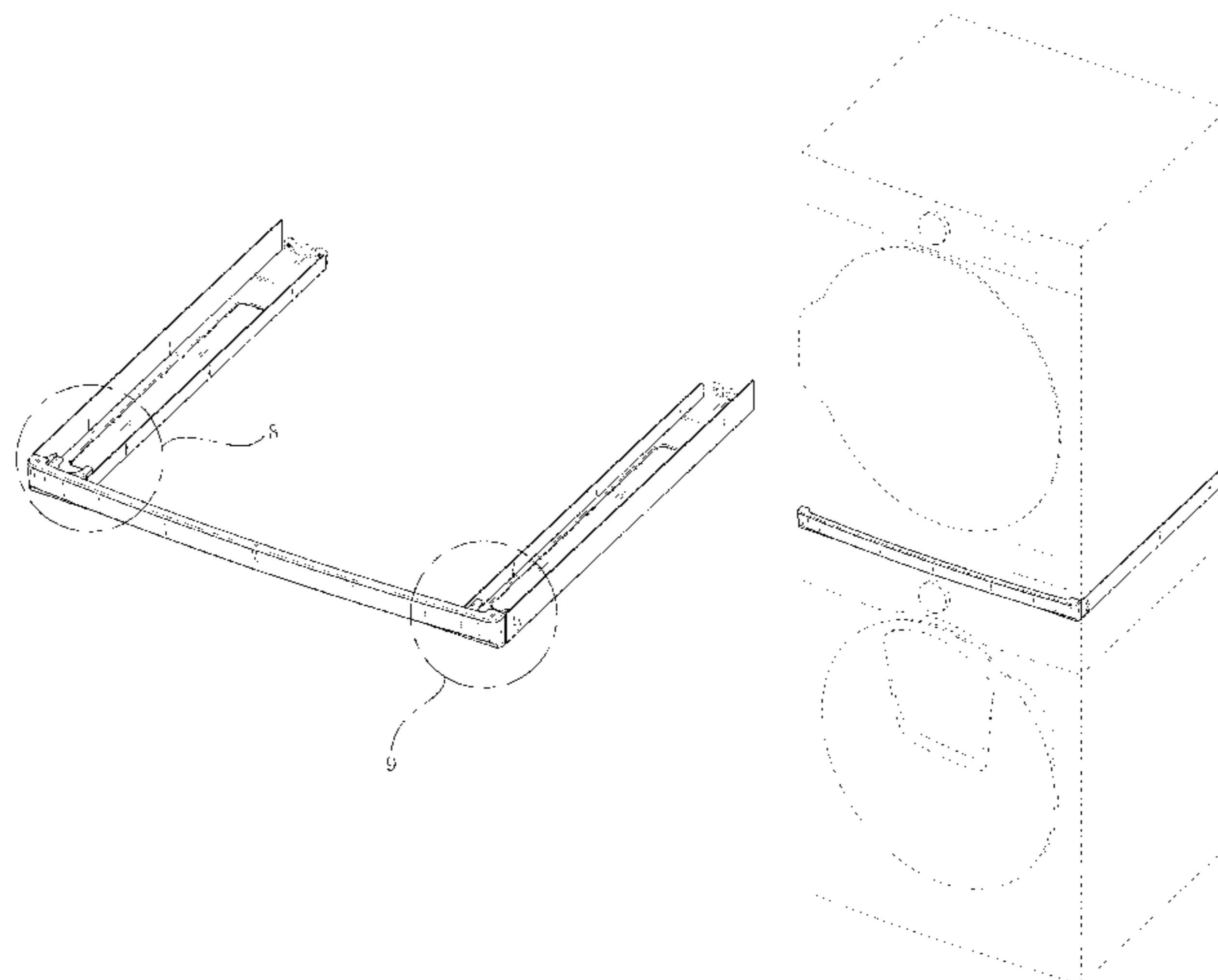
(57) **CLAIM**

We claim the ornamental design for a stacking kit for washing machine, as shown and described.

**DESCRIPTION**

FIG. 1 is a front perspective view of a stacking kit for washing machine showing our new design;  
 FIG. 2 is a front view thereof;  
 FIG. 3 is a rear view thereof;  
 FIG. 4 is a left-side view thereof;  
 FIG. 5 is a right-side view thereof;  
 FIG. 6 is a top view thereof;  
 FIG. 7 is a bottom view thereof;  
 FIG. 8 is an enlarged view of the encircled portion in FIG. 1;  
 FIG. 9 is an enlarged view of the encircled portion in FIG. 1; and,  
 FIG. 10 is a front perspective view of the stacking kit for washing machine shown in a state of use.  
 The dash-dash broken lines in FIGS. 1 through 9 show portions of the stacking kit for washing machine which form no part of the claimed design.  
 The dash-dash broken lines in FIG. 10 depict environmental subject matter and form no part of the claimed design.  
 The dot-dash broken lines encircling portions of the claimed design that are illustrated in enlargements form no part of the claimed design.

**1 Claim, 10 Drawing Sheets**



(58) **Field of Classification Search**

CPC .... B60L 15/2009; D06F 39/045; D06F 29/00;  
 D06F 39/022; D06F 33/02; D06F 35/006;  
 D06F 25/00; D06F 39/12; D06F 39/14;  
 D06F 29/005; D06F 2204/065; A47L  
 15/4418

See application file for complete search history.

(56) **References Cited**

U.S. PATENT DOCUMENTS

7,685,848	B2 *	3/2010	Jeong .....	D06F 29/00 68/19.1
8,245,999	B2 *	8/2012	Tartan .....	D06F 39/12 211/59.4
8,973,414	B2 *	3/2015	Bae .....	D06F 58/20 68/13 A
9,127,395	B2 *	9/2015	Kim .....	D06F 39/125
D743,642	S *	11/2015	Lee .....	D32/3
9,182,132	B2 *	11/2015	Penuel .....	F24C 15/08
D804,118	S *	11/2017	Kim .....	D32/25
2004/0263032	A1 *	12/2004	Cho .....	A47B 67/04 312/330.1
2005/0139738	A1 *	6/2005	Hwang .....	D06F 29/00 248/188.1
2010/0275658	A1 *	11/2010	Kim .....	D06F 39/12 68/139
2017/0037556	A1 *	2/2017	Doyle .....	D06F 29/00

FOREIGN PATENT DOCUMENTS

KR	30-2009-0017684	7/2010
KR	30-2015-0039095	2/2016

OTHER PUBLICATIONS

Stacking Kit posted by 4YOURHOME posted date Mar. 12, 2015, © Amazon UK, [online], [site visited Feb. 25, 2019]. Available from Internet, <https://www.amazon.co.uk/Universal-Washing-Machine-Stacking-Appliances> (Year: 2015).\*

Accessory Set Up posted by Bosch posted date Nov. 20, 2010, © Amazon UK, [online], [site visited Feb. 25, 2019]. Available from Internet, <https://www.amazon.co.uk/Bosch-WTZ11311-Dryer-Accessory-Set-Connection> (Year: 2010).\*

Stacking Kit posted by Siemens posted date Feb. 13, 2013, © Amazon UK, [online], [site visited Feb. 25, 2019]. Available from Internet, <https://www.amazon.co.uk/Siemens-WZ20300-Stacking-kit-mounting> (Year: 2013).\*

Seahomesolution "Assembly Kit Column Washing Machine/Dryer 60X60 Original Whirlpool." [2017] [www.ebay.com](http://www.ebay.com) Aug. 23, 2017 <<http://www.ebay.co.uk/itm/ASSEMBLY-KIT-COLUMN-WASHING-MACHINE-DRYER-60X60-ORIGINAL-WHIRLPOOL/322561509560>>.

\* cited by examiner

FIG. 1

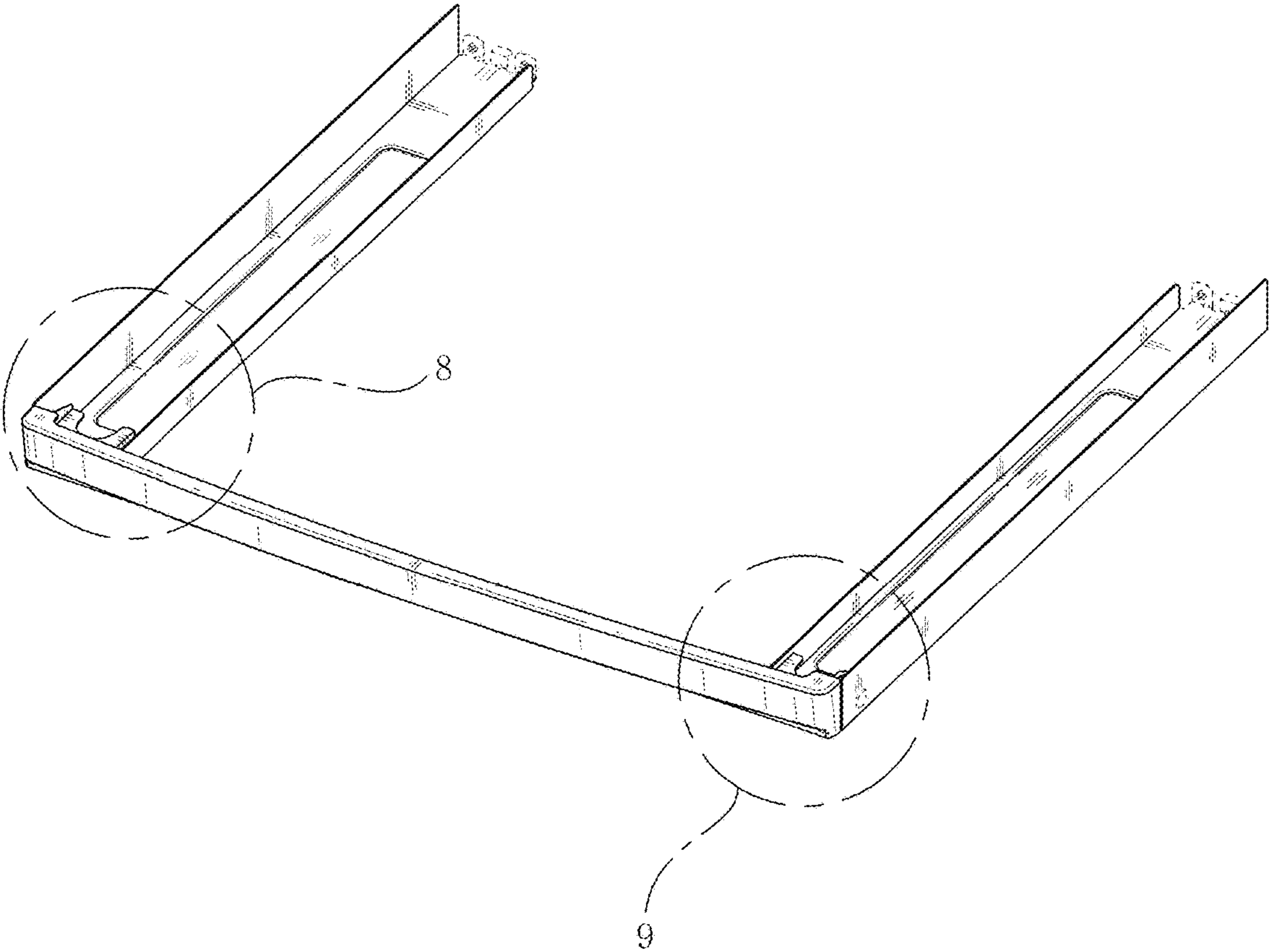


FIG. 2

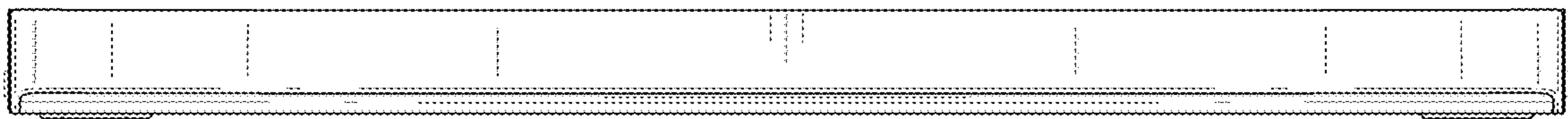


FIG. 3

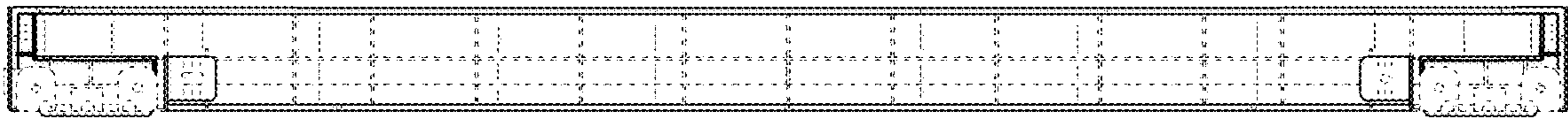


FIG. 4



FIG. 5





FIG. 6

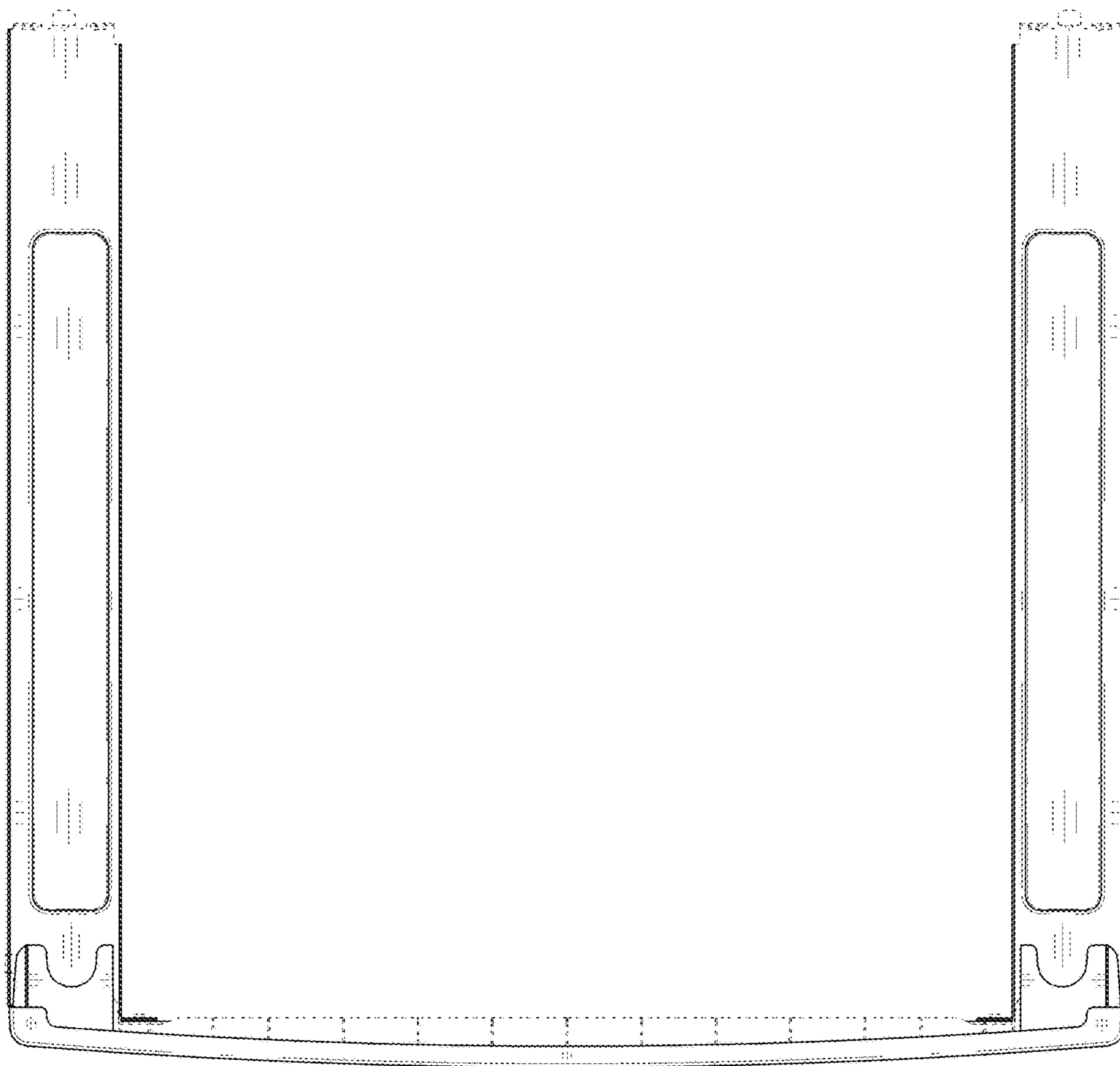




FIG. 7

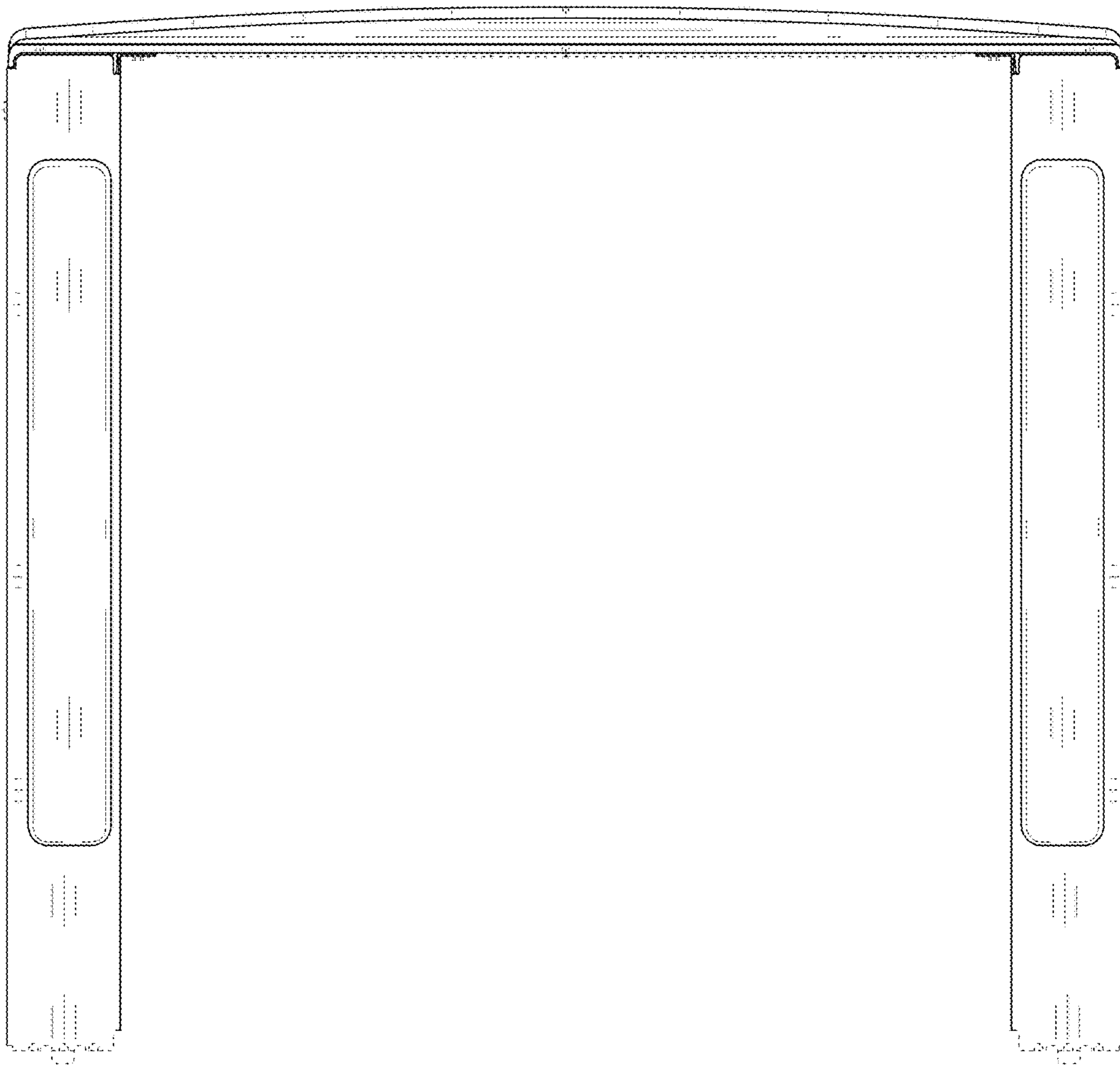


FIG. 8

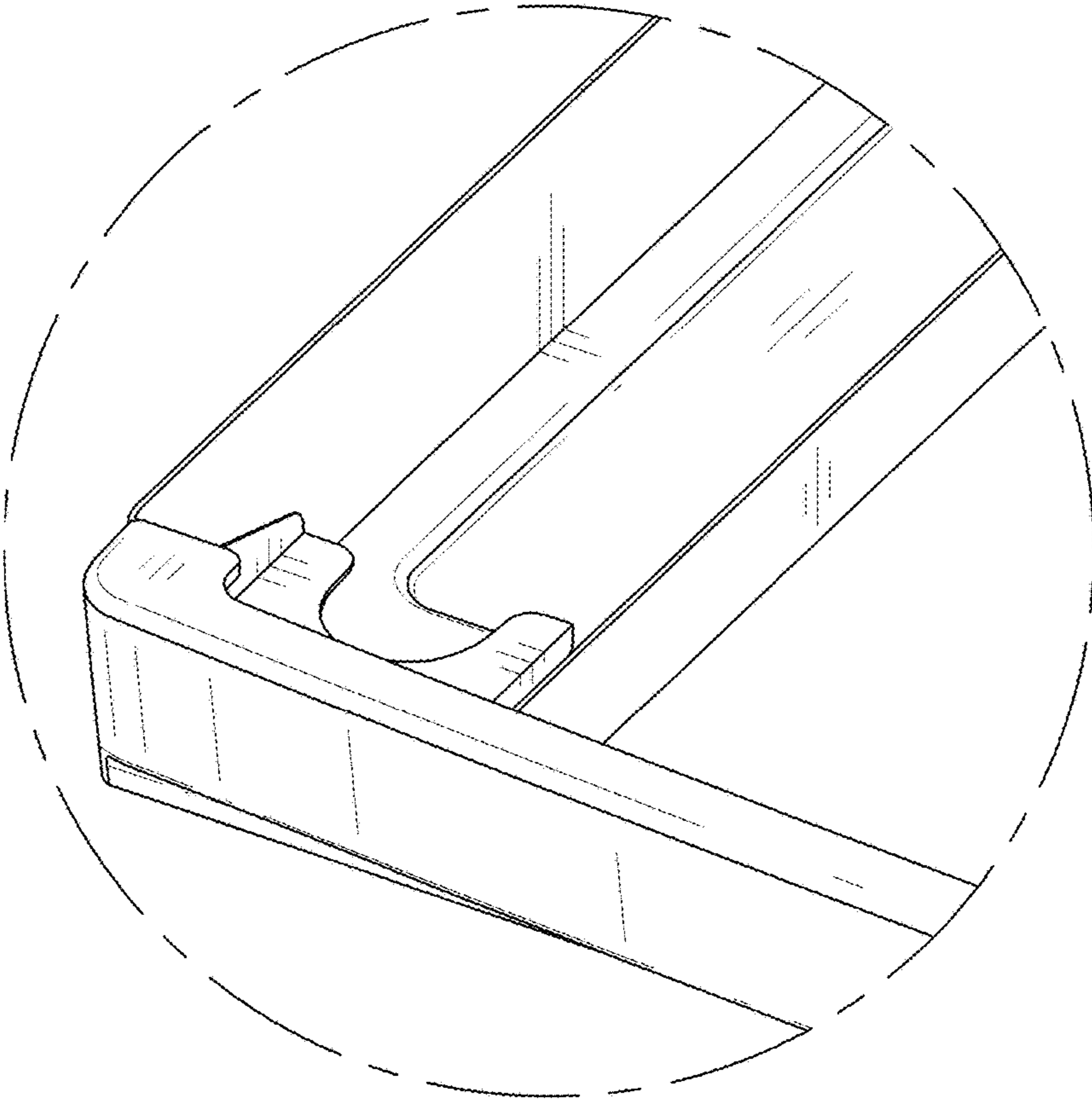


FIG. 9

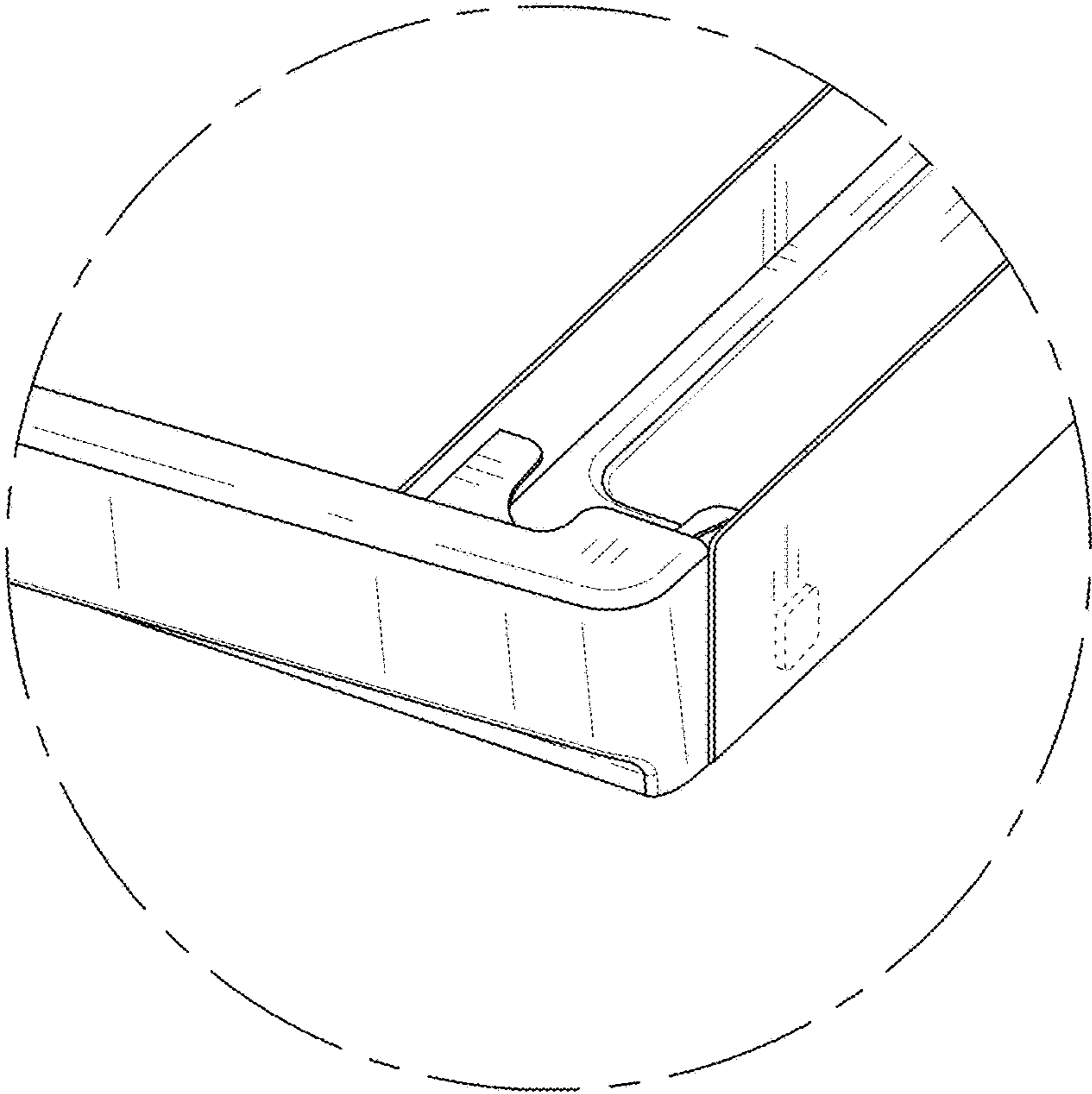


FIG. 10

