



US00D854763S

(12) **United States Design Patent**
Alexander

(10) **Patent No.:** **US D854,763 S**

(45) **Date of Patent:** **** Jul. 23, 2019**

- (54) **PRESSURE WASHER FRAME**
- (71) Applicant: **FNA Group, Inc.**, Pleasant Prairie, WI (US)
- (72) Inventor: **Gus Alexander**, Iverness, IL (US)
- (73) Assignee: **FNA GROUP, INC.**, Pleasant Prairie, WI (US)

D596,817	S	*	7/2009	Glass	D32/25
D622,471	S	*	8/2010	Hernandez	D34/12
D648,082	S	*	11/2011	Alexander	D32/15
D688,841	S	*	8/2013	van Deursen	D32/25
8,602,323	B2	*	12/2013	Bearup	B62B 1/12 239/146
D702,900	S	*	4/2014	Kahan	D32/16
D703,888	S	*	4/2014	Kahan et al.	D32/16
D733,373	S	*	6/2015	Kahan	D32/16
D824,612	S	*	7/2018	Alexander	D32/16
D824,613	S	*	7/2018	Alexander	D32/16

(**) Term: **15 Years**

* cited by examiner

(21) Appl. No.: **29/598,855**

Primary Examiner — Ruth McInroy

(22) Filed: **Mar. 29, 2017**

(74) *Attorney, Agent, or Firm* — Hanley, Flight & Zimmerman, LLC

(51) **LOC (11) Cl.** **12-02**

(52) **U.S. Cl.**
USPC **D32/24**

(58) **Field of Classification Search**
USPC D32/15–16, 25; D34/24, 12, 14;
280/47.131

CPC .. B08B 3/022; B08B 3/02; B05B 7/32; B05B
9/007

See application file for complete search history.

(57) **CLAIM**

The ornamental design for a pressure washer frame, as shown and described.

DESCRIPTION

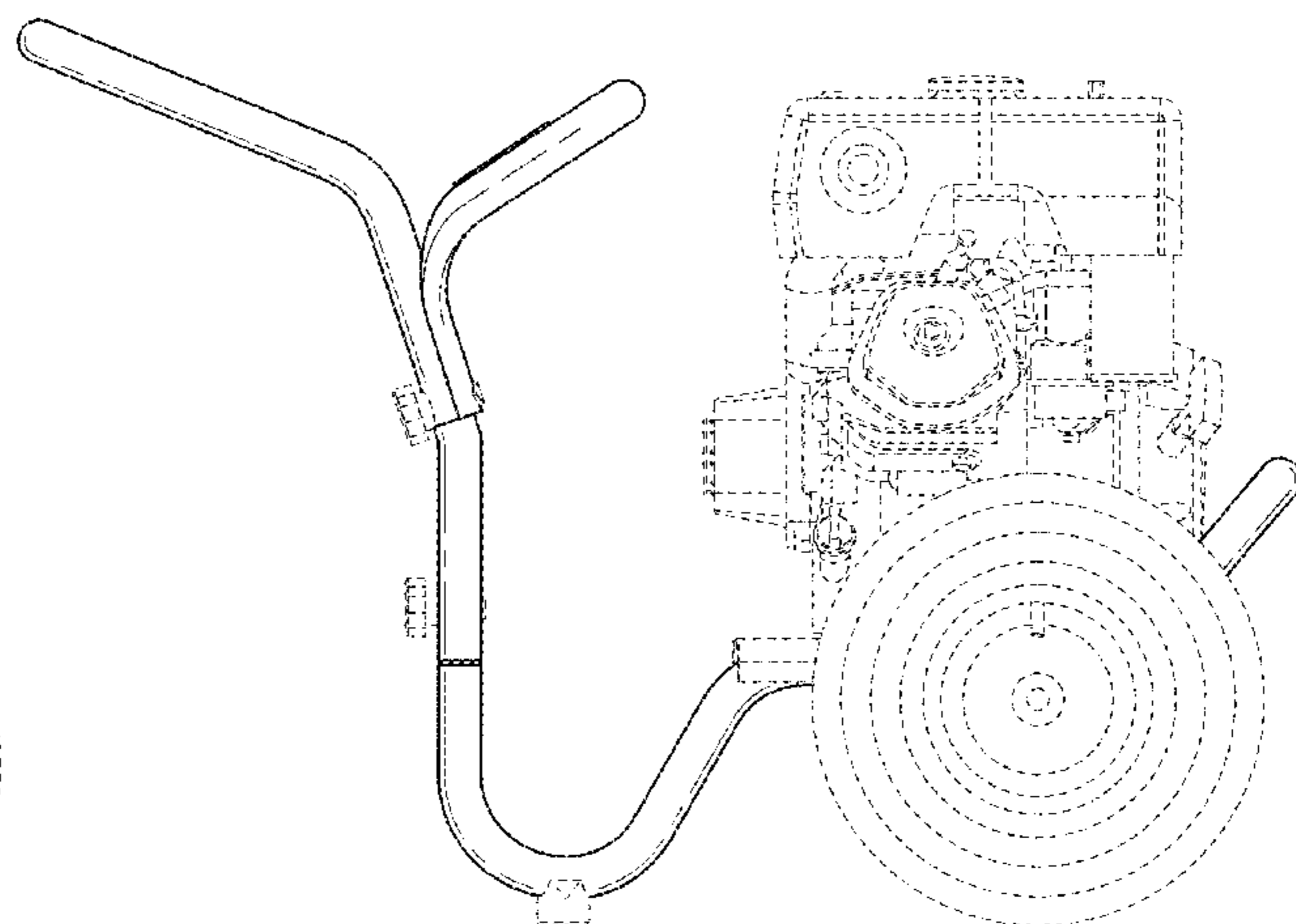
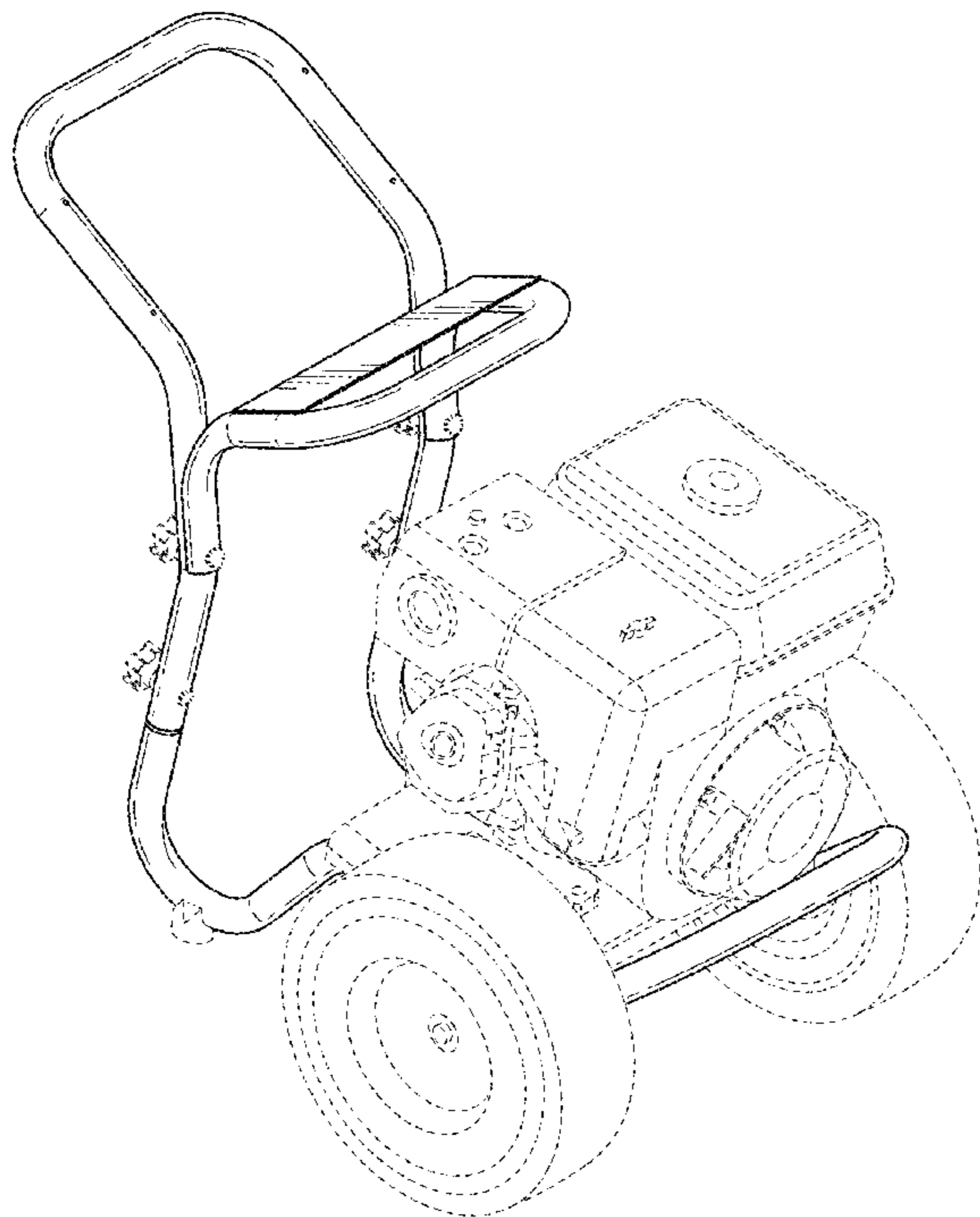
FIG. 1 is a top-front perspective view of a pressure washer frame;
 FIG. 2 is a front elevation view thereof;
 FIG. 3 is a rear elevation view thereof;
 FIG. 4 is a left side elevation view thereof;
 FIG. 5 is a right side elevation view thereof;
 FIG. 6 is a top plan view thereof; and,
 FIG. 7 is a bottom plan view thereof.

(56) **References Cited**

U.S. PATENT DOCUMENTS

D402,433	S	*	12/1998	Wells	D34/24
D580,610	S	*	11/2008	Hawkins	D32/25
D590,110	S	*	4/2009	Hawkins	D32/25

1 Claim, 7 Drawing Sheets



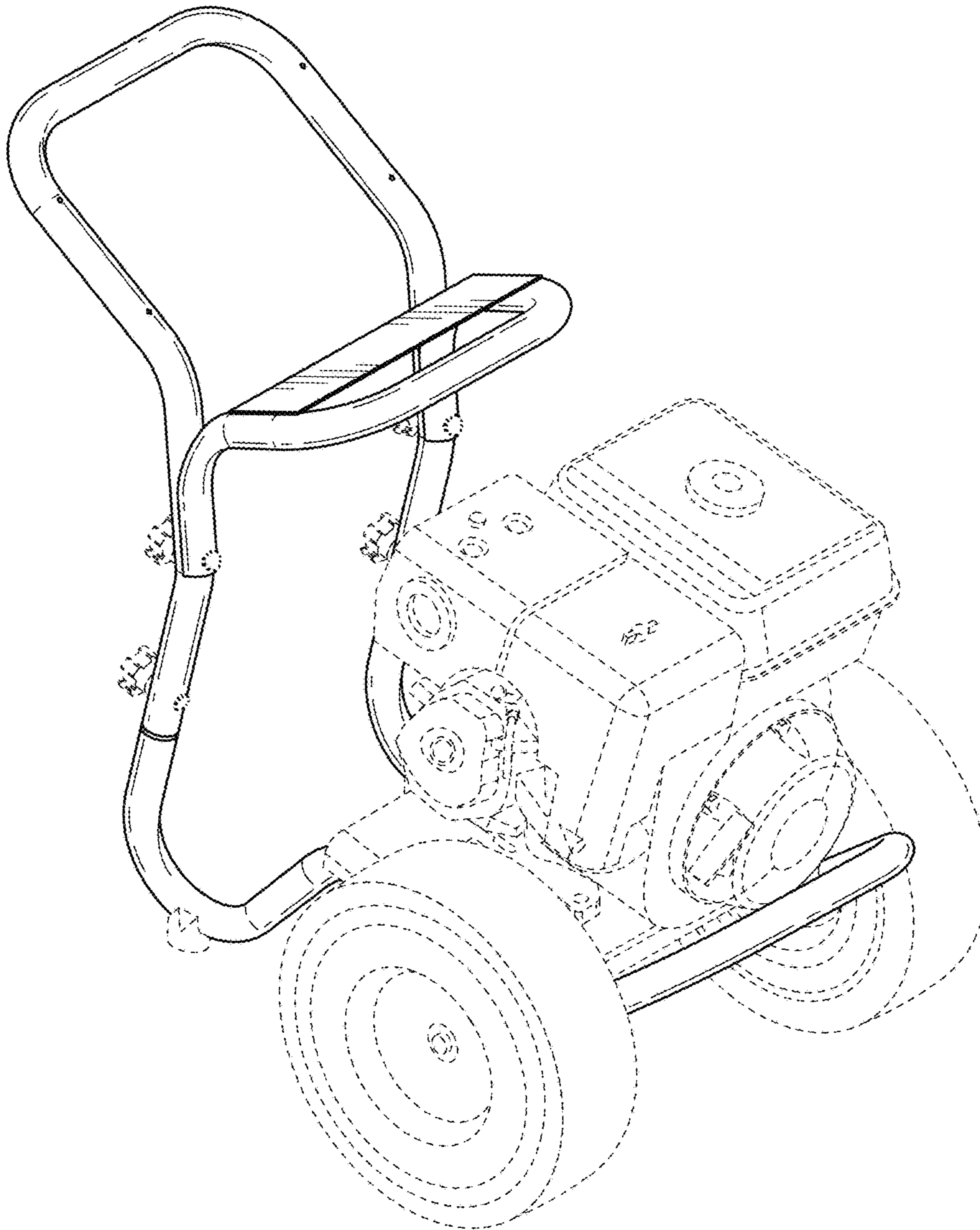


FIG. 1

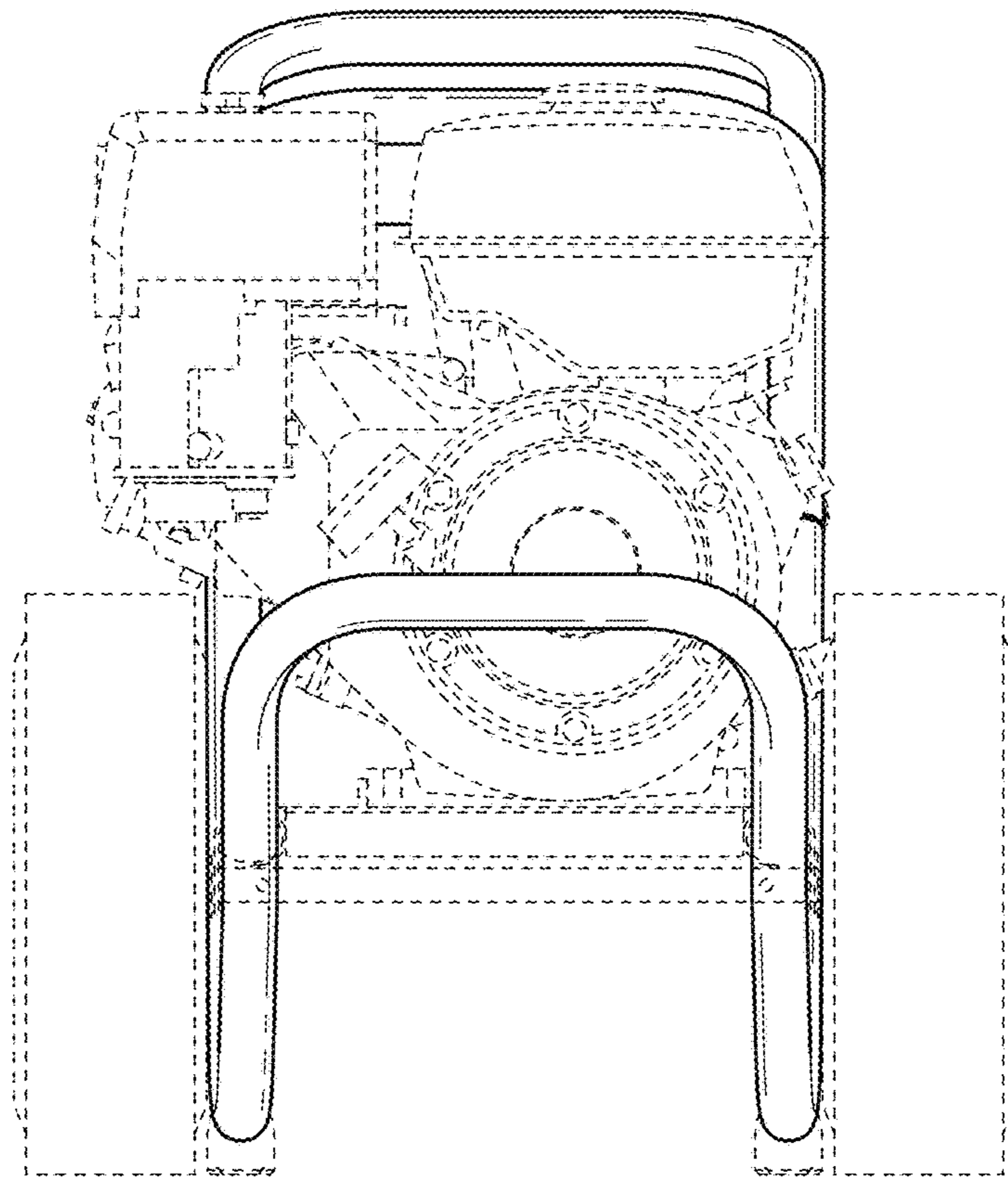


FIG.2

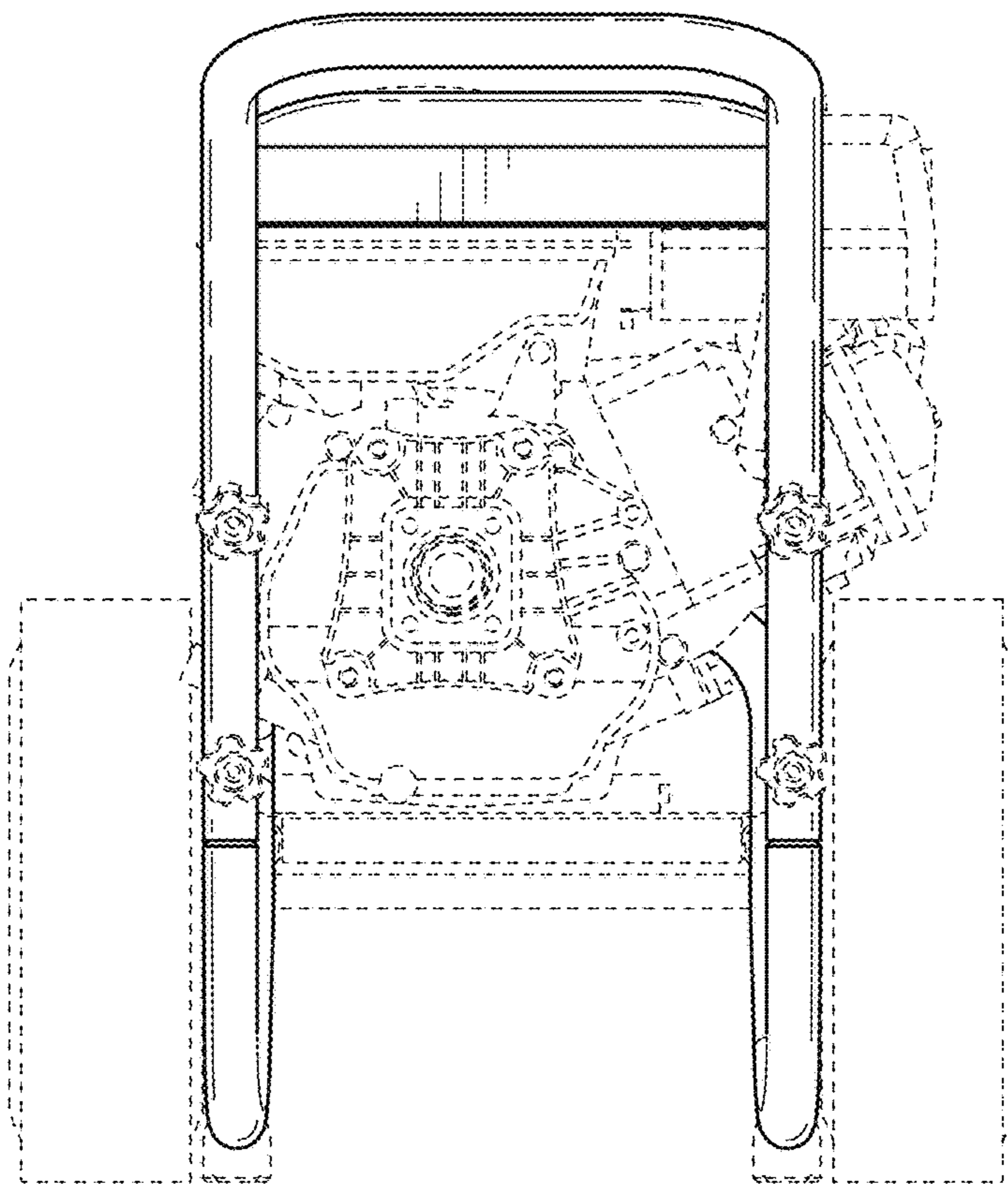


FIG.3

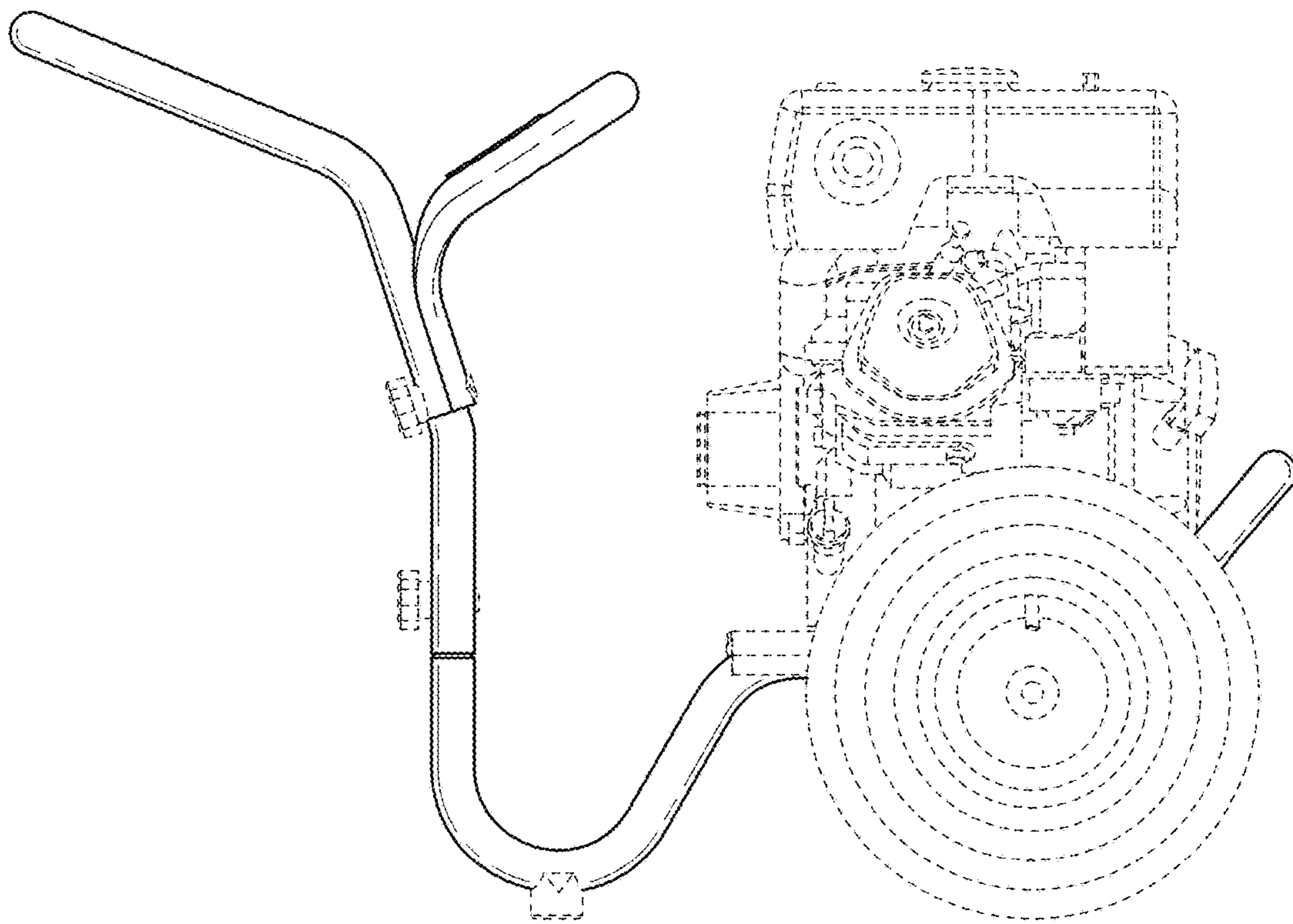


FIG. 4

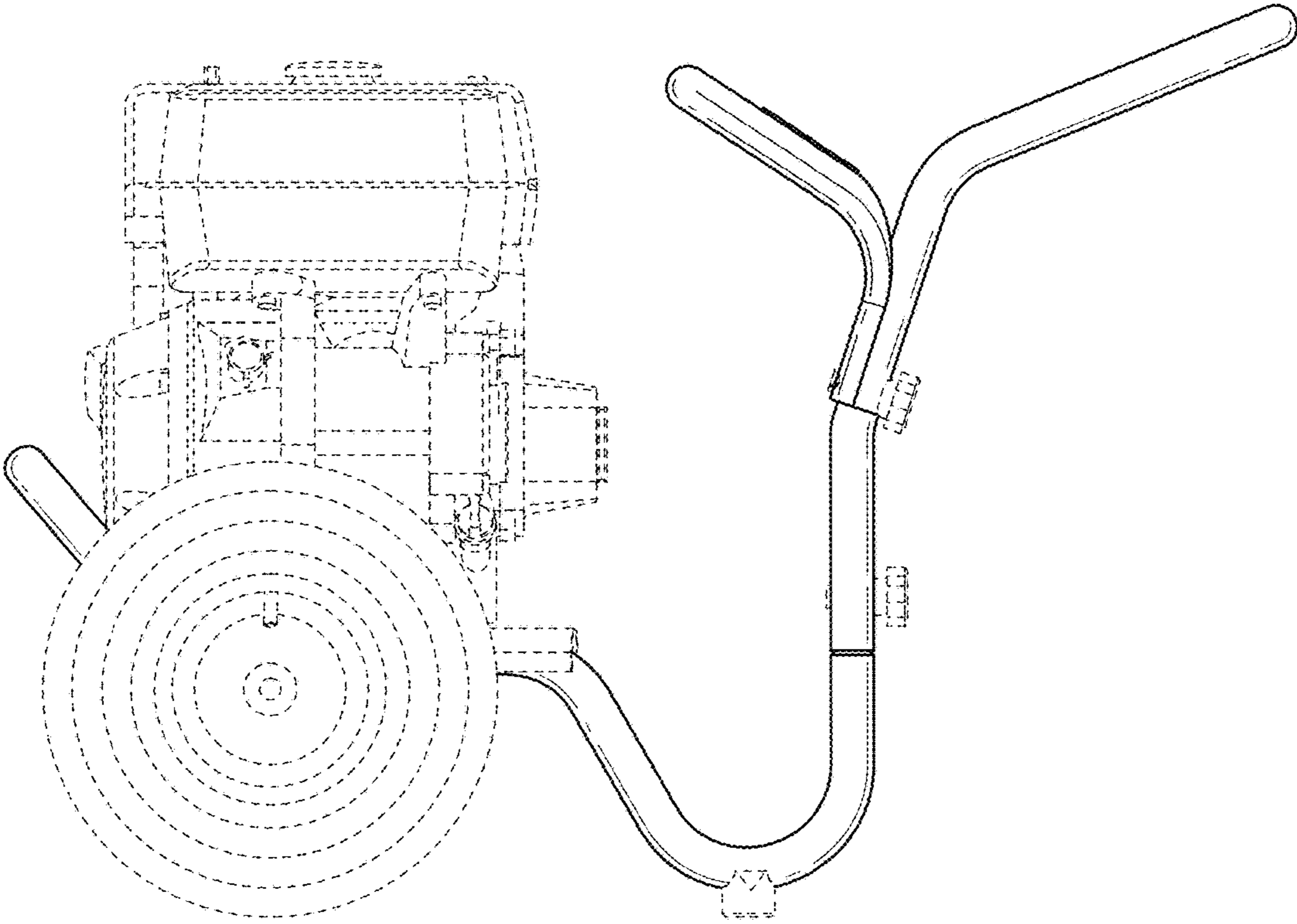


FIG. 5

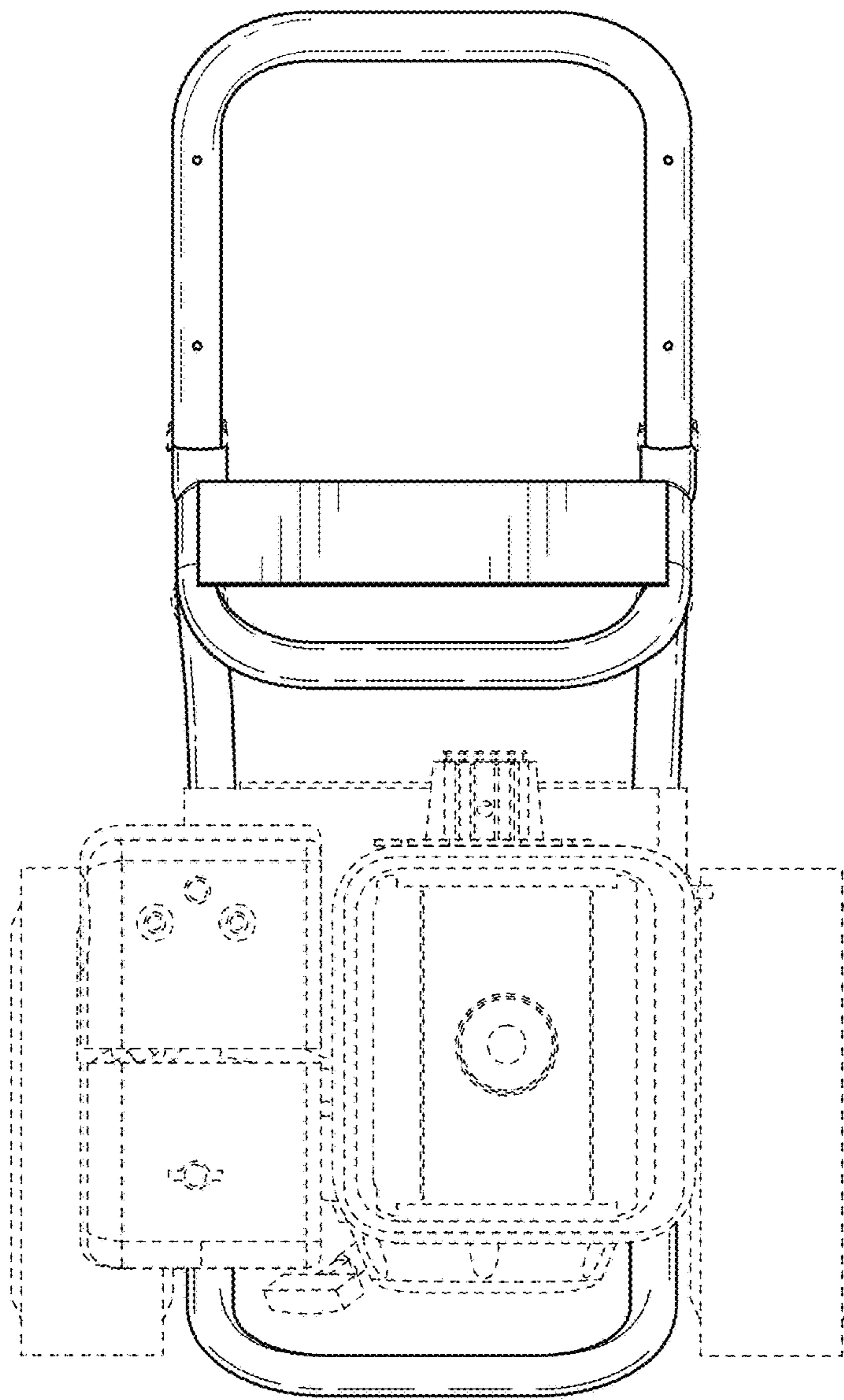


FIG.6

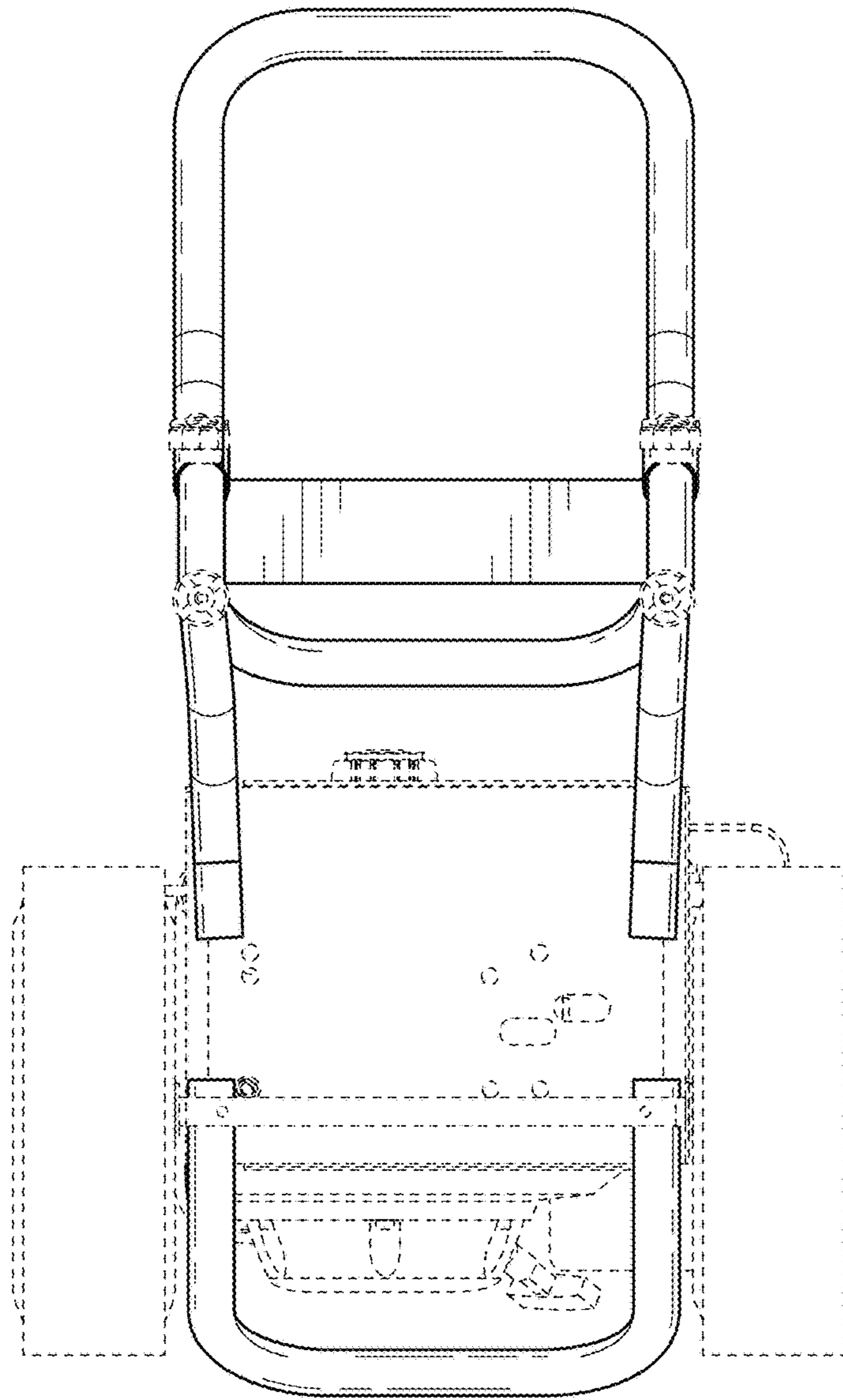


FIG.7